


Count	Description
1	<p data-bbox="225 338 550 367">CRN 5-16 A-FGJ-A-V-HQQV</p>  <p data-bbox="225 660 491 689">Product No.: 96085133</p> <p data-bbox="225 692 746 779">Vertical, non-self-priming, multistage, in-line, centrifugal pump for installation in pipe systems and mounting on a foundation.</p> <p data-bbox="225 808 699 837">The pump has the following characteristics:</p> <ul data-bbox="263 840 778 1016" style="list-style-type: none"> - Impellers, intermediate chambers and outer sleeve are made of - Pump head cover and base are made of - The shaft seal has assembly length according to EN 12756. - Power transmission is via cast iron split coupling. <p data-bbox="225 1048 422 1077">flanges/couplings.</p> <p data-bbox="225 1108 598 1137">The motor is a 1-phase AC motor.</p> <p data-bbox="225 1169 338 1198">Controls:</p> <p data-bbox="225 1200 662 1229">Frequency converter: NONE</p> <p data-bbox="225 1261 311 1290">Liquid:</p> <p data-bbox="225 1292 662 1321">Pumped liquid: Water</p> <p data-bbox="225 1323 710 1352">Liquid temperature range: -4 .. 194 °F</p> <p data-bbox="225 1355 710 1384">Liquid temperature during operation: 68 °F</p> <p data-bbox="225 1386 710 1415">Density: 62.29 lb/ft³</p> <p data-bbox="225 1447 351 1476">Technical:</p> <p data-bbox="225 1478 694 1507">Rated pump speed: 3468 rpm</p> <p data-bbox="225 1509 734 1538">Rated flow: 30.4 US gpm</p> <p data-bbox="225 1541 678 1570">Rated head: 375.3 ft</p> <p data-bbox="225 1572 678 1601">Pump orientation: Vertical</p> <p data-bbox="225 1603 662 1632">Shaft seal arrangement: Single</p> <p data-bbox="225 1635 662 1664">Code for shaft seal: HQQV</p> <p data-bbox="225 1666 678 1695">Approvals on nameplate: CURUS</p> <p data-bbox="225 1697 790 1727">Curve tolerance: ISO9906:2012 3B</p> <p data-bbox="225 1758 343 1787">Materials:</p> <p data-bbox="225 1789 750 1854">Base: Stainless steel EN 1.4408 AISI 316</p> <p data-bbox="225 1863 750 1928">Impeller: Stainless steel EN 1.4401 AISI 316</p> <p data-bbox="225 1937 630 1966">Bearing: SIC</p> <p data-bbox="225 1998 367 2027">Installation:</p> <p data-bbox="225 2029 662 2058">Maximum ambient temperature: 104 °F</p> <p data-bbox="225 2060 670 2089">Maximum operating pressure: 363 psi</p>



Company name:

Created by:

Phone:

Date:

3/15/2019

Count	Description
	Max pressure at stated temperature: 363 psi / 194 °F 363 psi / -4 °F
	Type of connection: DIN / ANSI / JIS
	Size of inlet connection: DN 25/32
	Size of suction port: 1 1/4 inch
	Size of outlet connection: DN 25/32
	Size of outlet port: 1 1/4 inch
	Pressure rating for pipe connection: PN 25
	Flange rating inlet: 300 lb
	Flange size for motor: 182TC
	Electrical data:
	Motor standard: NEMA
	Motor type: Baldor
	Rated power - P2: 5 HP
	Power (P2) required by pump: 5 HP
	Main frequency: 60 Hz
	Rated voltage: 1 x 208-230 V
	Service factor: 1.15
	Rated current: 24.0-22.0 A
	Rated speed: 3450 rpm
	Number of poles: 2
	Enclosure class (IEC 34-5): 54 Dust/Splashing
	Insulation class (IEC 85): F
	Others:
	Net weight: 157 lb
	Gross weight: 175 lb
	Shipping volume: 10.1 ft ³
	Country of origin: US
	Custom tariff no.: 8413.70.2040



Company name:

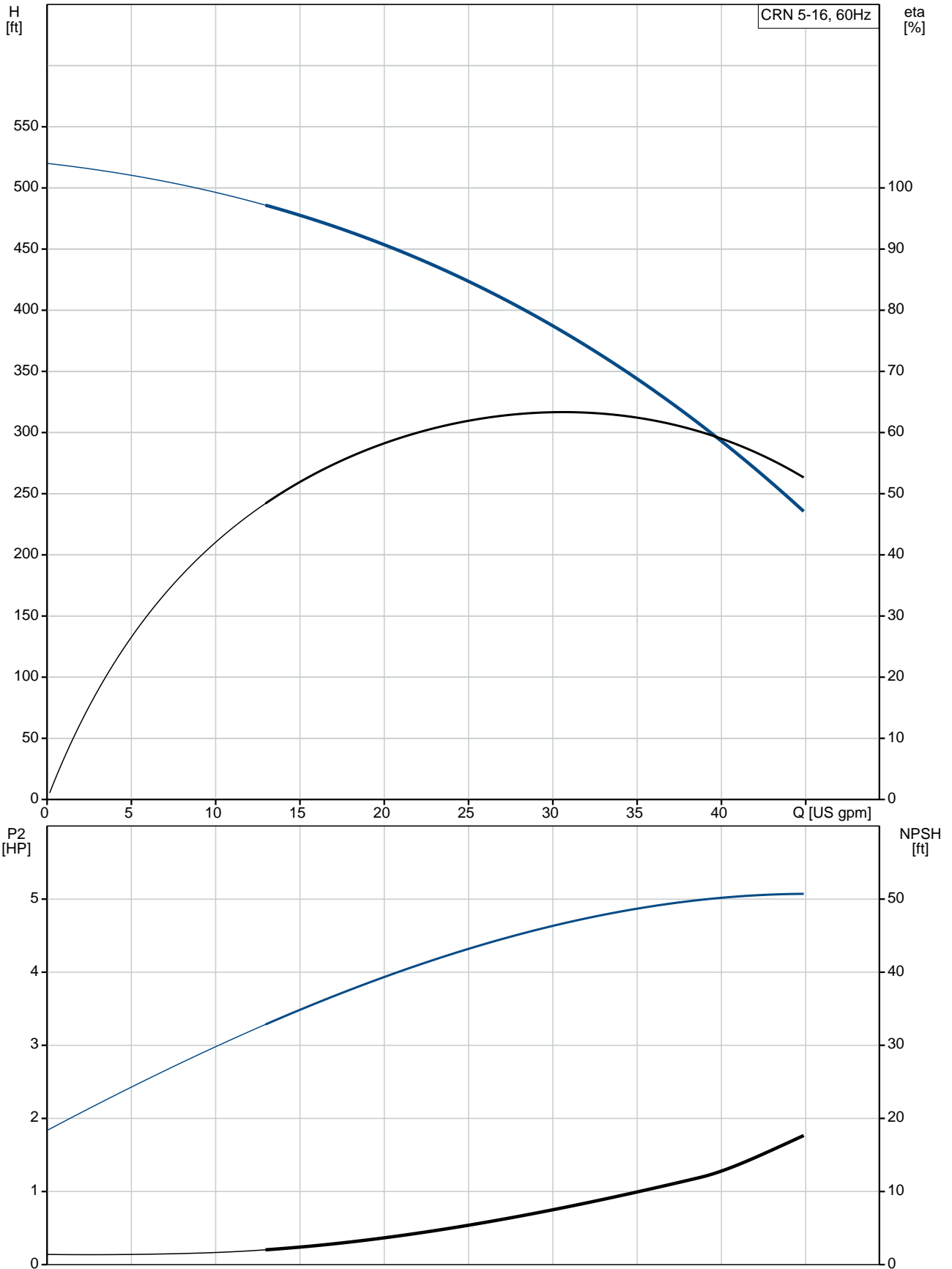
Created by:

Phone:

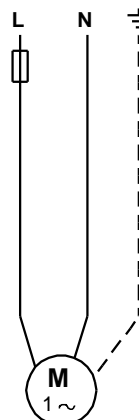
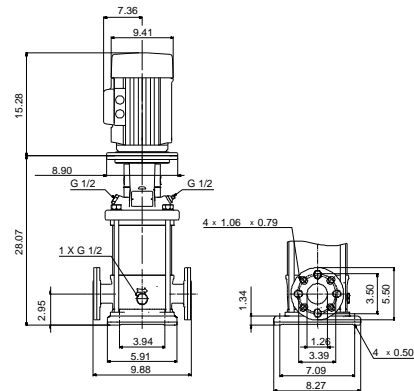
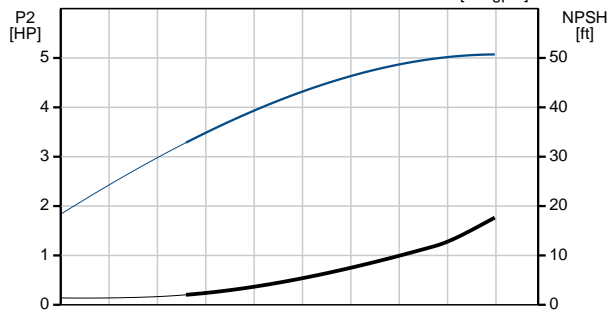
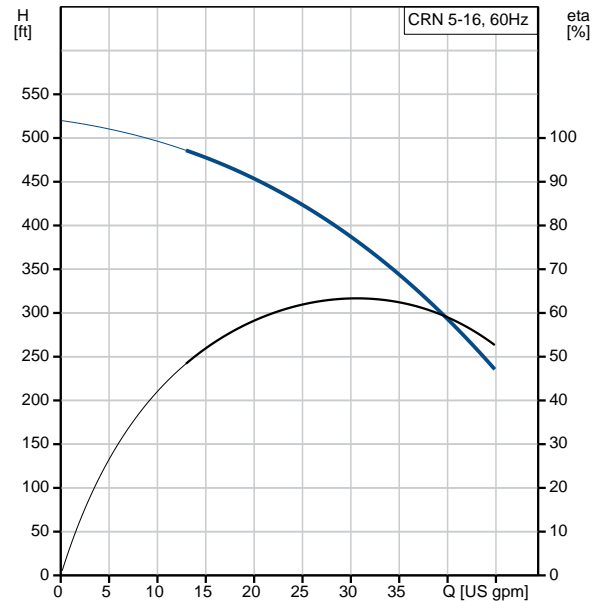
Date:

3/15/2019

96085133 CRN 5-16 A-FGJ-A-V-HQQV 60 Hz



Description	Value
General information:	
Product name:	CRN 5-16 A-FGJ-A-V-HQQV
Product No.:	96085133
EAN:	5700395199710
Technical:	
Rated pump speed:	3468 rpm
Rated flow:	30.4 US gpm
Rated head:	375.3 ft
Head max:	512.2 ft
Stages:	16
Impellers:	16
Number of reduced-diameter impellers:	0
Low NPSH:	N
Pump orientation:	Vertical
Shaft seal arrangement:	Single
Code for shaft seal:	HQQV
Approvals on nameplate:	CURUS
Curve tolerance:	ISO9906:2012 3B
Pump version:	A
Model:	A
Cooling:	TEFC
Materials:	
Base:	Stainless steel EN 1.4408 AISI 316
Impeller:	Stainless steel EN 1.4401 AISI 316
Material code:	A
Code for rubber:	V
Bearing:	SIC
Installation:	
Maximum ambient temperature:	104 °F
Maximum operating pressure:	363 psi
Max pressure at stated temperature:	363 psi / 194 °F 363 psi / -4 °F
Type of connection:	DIN / ANSI / JIS
Size of inlet connection:	DN 25/32
Size of suction port:	1 1/4 inch
Size of outlet connection:	DN 25/32
Size of outlet port:	1 1/4 inch
Pressure rating for pipe connection:	PN 25
Flange rating inlet:	300 lb
Flange size for motor:	182TC
Connect code:	FGJ
Liquid:	
Pumped liquid:	Water
Liquid temperature range:	-4 .. 194 °F
Liquid temperature during operation:	68 °F
Density:	62.29 lb/ft ³
Electrical data:	
Motor standard:	NEMA
Motor type:	Baldor
Rated power - P2:	5 HP
Power (P2) required by pump:	5 HP
Main frequency:	60 Hz
Rated voltage:	1 x 208-230 V





Company name:

Created by:

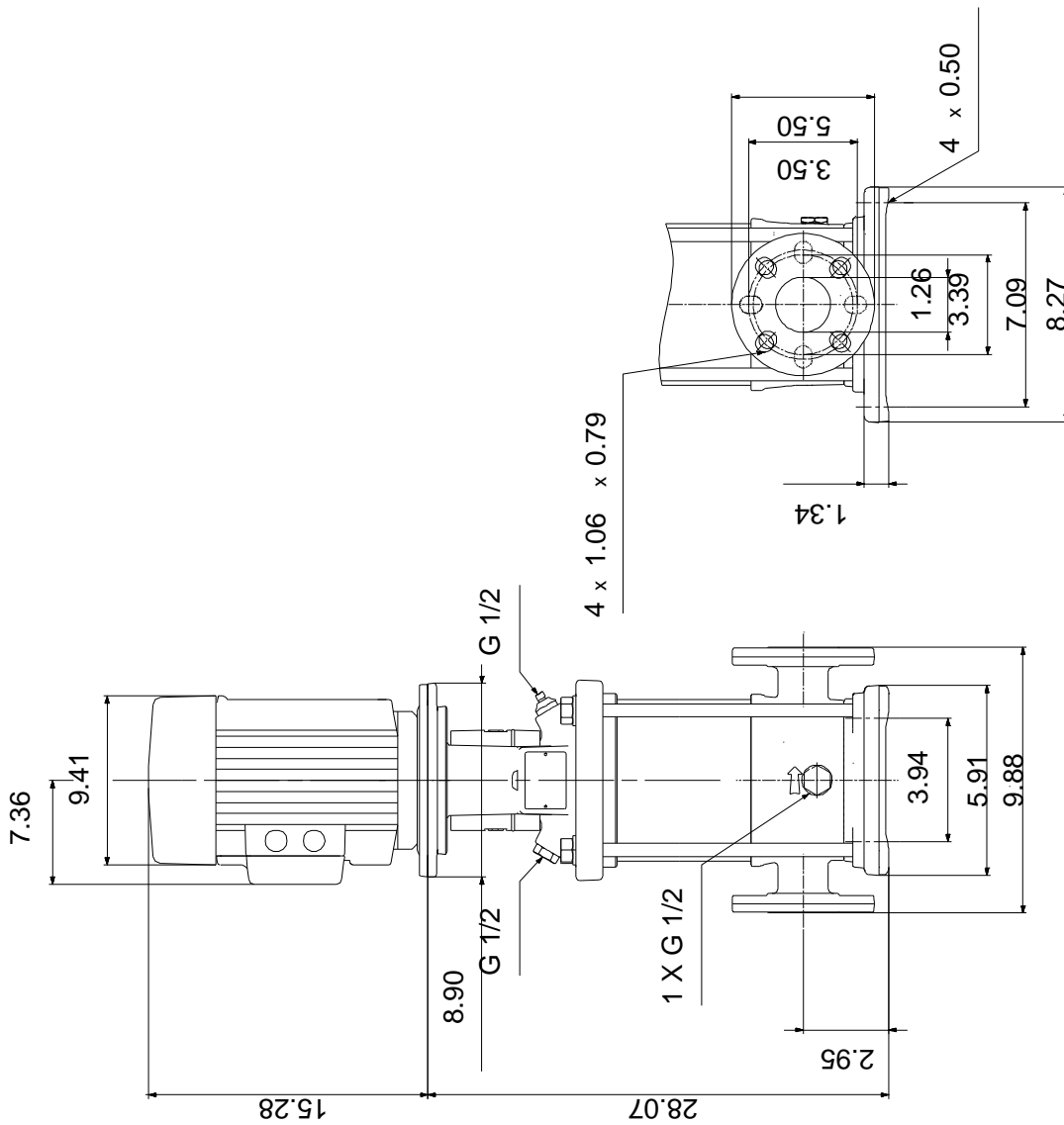
Phone:

Date:

3/15/2019

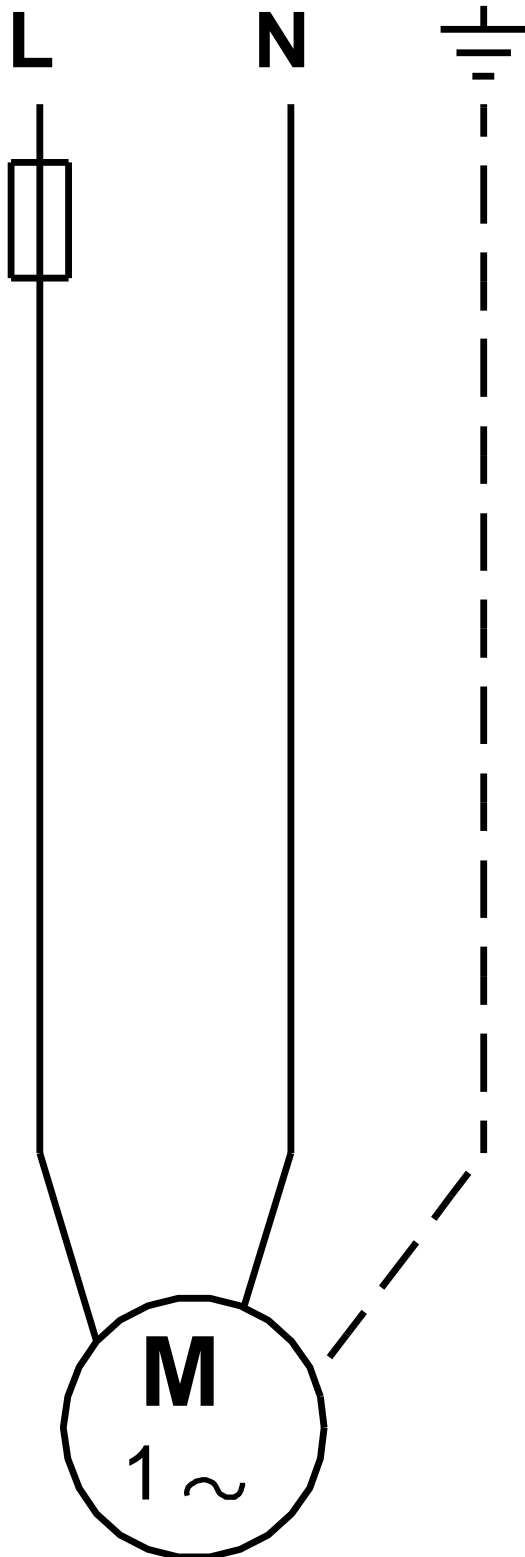
Description	Value
Service factor:	1.15
Rated current:	24.0-22.0 A
Load current:	27.0-25.0 A
Rated speed:	3450 rpm
Number of poles:	2
Enclosure class (IEC 34-5):	54 Dust/Splashing
Insulation class (IEC 85):	F
Motor protection:	NONE
Motor Number:	85700012
Controls:	
Frequency converter:	NONE
Others:	
Net weight:	157 lb
Gross weight:	175 lb
Shipping volume:	10.1 ft ³
Country of origin:	US
Custom tariff no.:	8413.70.2040

96085133 CRN 5-16 A-FGJ-A-V-HQQV 60 Hz



Note! All units are in [mm] unless otherwise stated.
Disclaimer: This simplified dimensional drawing does not show all details.

96085133 CRN 5-16 A-FGJ-A-V-HQQV 60 Hz



All units are [mm] unless otherwise presented.