


Count	Description
1	<p data-bbox="225 338 550 367">CRN 5-24 A-FGJ-A-V-HQQV</p>  <p data-bbox="225 660 491 689">Product No.: 96085141</p> <p data-bbox="225 692 750 779">Vertical, non-self-priming, multistage, in-line, centrifugal pump for installation in pipe systems and mounting on a foundation.</p> <p data-bbox="225 808 703 837">The pump has the following characteristics:</p> <ul data-bbox="263 840 782 1019" style="list-style-type: none"> - Impellers, intermediate chambers and outer sleeve are made of - Pump head cover and base are made of - The shaft seal has assembly length according to EN 12756. - Power transmission is via cast iron split coupling. <p data-bbox="225 1048 427 1077">flanges/couplings.</p> <p data-bbox="225 1106 603 1135">The motor is a 1-phase AC motor.</p> <p data-bbox="225 1164 343 1193">Controls:</p> <p data-bbox="225 1196 662 1225">Frequency converter: NONE</p> <p data-bbox="225 1254 311 1283">Liquid:</p> <p data-bbox="225 1285 662 1314">Pumped liquid: Water</p> <p data-bbox="225 1317 715 1346">Liquid temperature range: -4 .. 194 °F</p> <p data-bbox="225 1348 715 1377">Liquid temperature during operation: 68 °F</p> <p data-bbox="225 1379 715 1408">Density: 62.29 lb/ft³</p> <p data-bbox="225 1438 351 1467">Technical:</p> <p data-bbox="225 1469 699 1498">Rated pump speed: 3508 rpm</p> <p data-bbox="225 1500 737 1529">Rated flow: 30.4 US gpm</p> <p data-bbox="225 1532 678 1561">Rated head: 583.7 ft</p> <p data-bbox="225 1563 678 1592">Pump orientation: Vertical</p> <p data-bbox="225 1594 662 1624">Shaft seal arrangement: Single</p> <p data-bbox="225 1626 662 1655">Code for shaft seal: HQQV</p> <p data-bbox="225 1657 678 1686">Approvals on nameplate: CURUS</p> <p data-bbox="225 1688 790 1718">Curve tolerance: ISO9906:2012 3B</p> <p data-bbox="225 1747 343 1776">Materials:</p> <p data-bbox="225 1778 750 1848">Base: Stainless steel EN 1.4408 AISI 316</p> <p data-bbox="225 1850 750 1942">Impeller: Stainless steel EN 1.4401 AISI 316</p> <p data-bbox="225 1944 630 1973">Bearing: SIC</p> <p data-bbox="225 2002 367 2031">Installation:</p> <p data-bbox="225 2033 662 2063">Maximum ambient temperature: 104 °F</p> <p data-bbox="225 2065 678 2094">Maximum operating pressure: 363 psi</p>



Company name:

Created by:

Phone:

Date:

3/15/2019

Count	Description
	Max pressure at stated temperature: 363 psi / 194 °F 363 psi / -4 °F
	Type of connection: DIN / ANSI / JIS
	Size of inlet connection: DN 25/32
	Size of suction port: 1 1/4 inch
	Size of outlet connection: DN 25/32
	Size of outlet port: 1 1/4 inch
	Pressure rating for pipe connection: PN 25
	Flange rating inlet: 300 lb
	Flange size for motor: 213TC
	Electrical data:
	Motor standard: NEMA
	Motor type: Baldor
	Rated power - P2: 7.5 HP
	Power (P2) required by pump: 7.5 HP
	Main frequency: 60 Hz
	Rated voltage: 1 x 208-230 V
	Service factor: 1.15
	Rated current: 33.8-31.0 A
	Rated speed: 3450 rpm
	Number of poles: 2
	Insulation class (IEC 85): F
	Others:
	Net weight: 185 lb
	Gross weight: 297 lb
	Shipping volume: 12.9 ft ³
	Country of origin: US
	Custom tariff no.: 8413.70.2040



Company name:

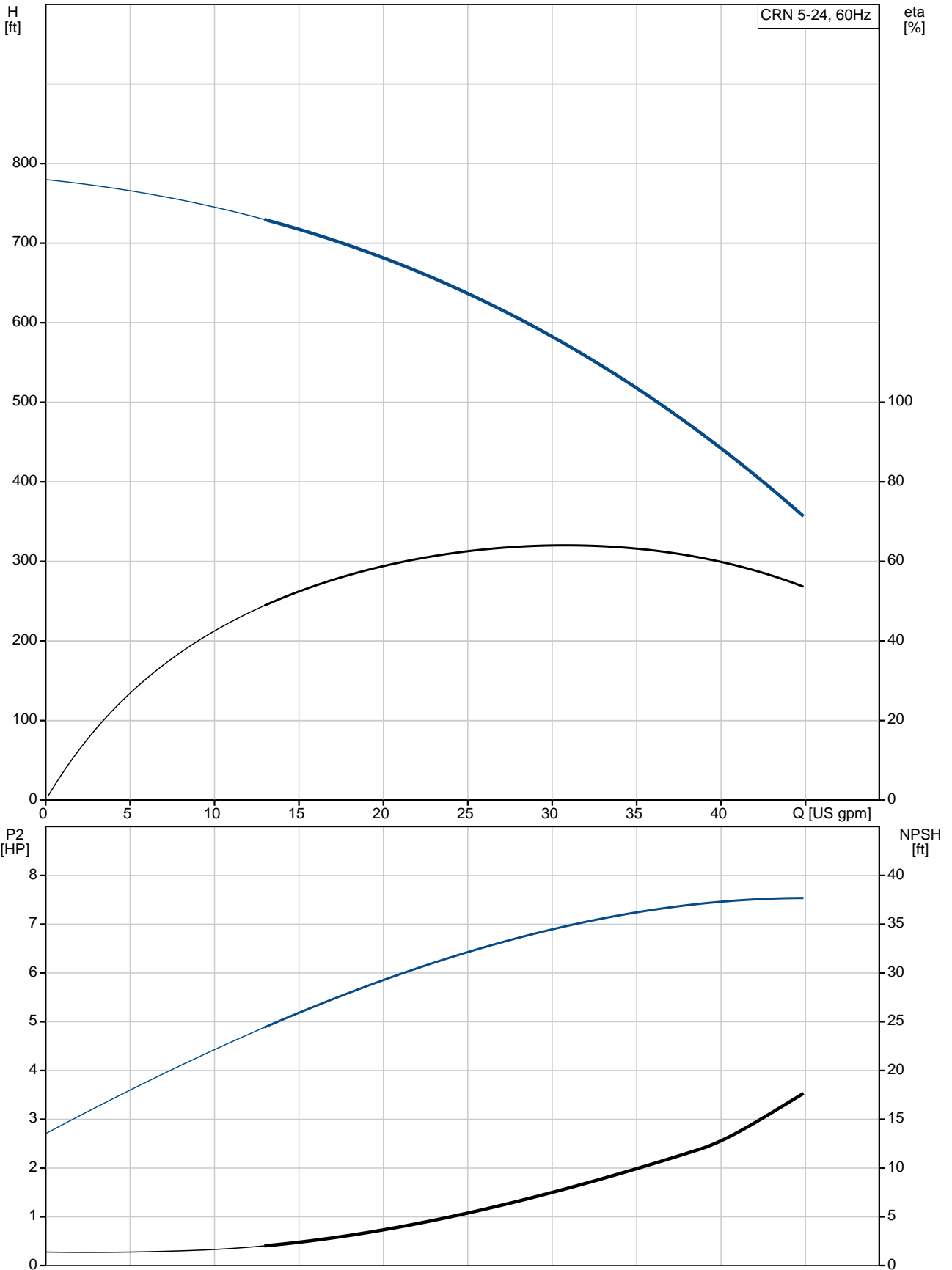
Created by:

Phone:

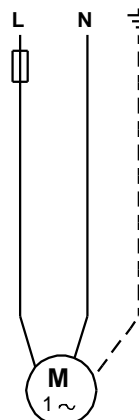
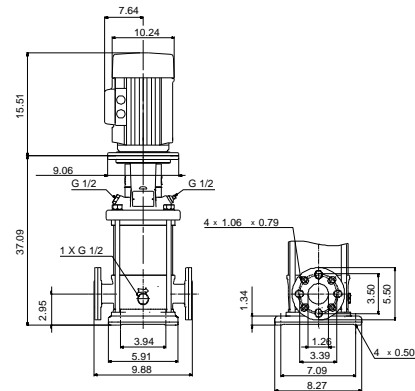
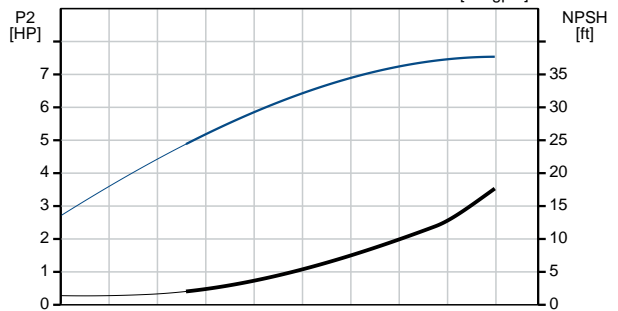
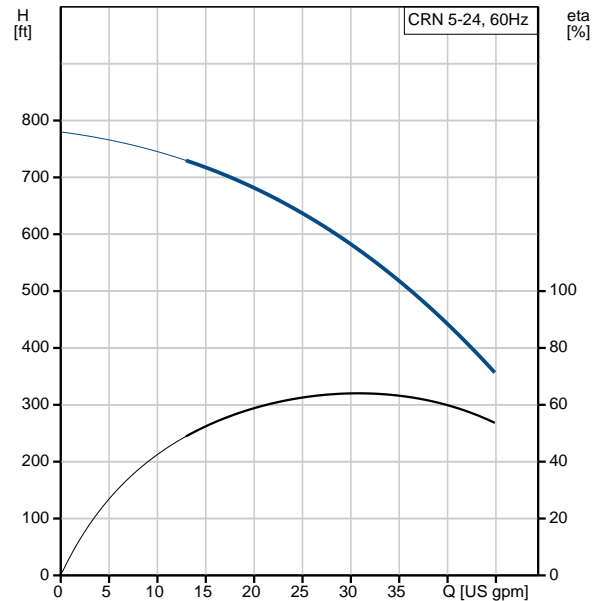
Date:

3/15/2019

96085141 CRN 5-24 A-FGJ-A-V-HQQV 60 Hz



Description	Value
General information:	
Product name:	CRN 5-24 A-FGJ-A-V-HQQV
Product No.:	96085141
EAN:	5700395199796
Technical:	
Rated pump speed:	3508 rpm
Rated flow:	30.4 US gpm
Rated head:	583.7 ft
Head max:	774.6 ft
Stages:	24
Impellers:	24
Number of reduced-diameter impellers:	0
Low NPSH:	N
Pump orientation:	Vertical
Shaft seal arrangement:	Single
Code for shaft seal:	HQQV
Approvals on nameplate:	CURUS
Curve tolerance:	ISO9906:2012 3B
Pump version:	A
Model:	A
Cooling:	TEFC
Materials:	
Base:	Stainless steel EN 1.4408 AISI 316
Impeller:	Stainless steel EN 1.4401 AISI 316
Material code:	A
Code for rubber:	V
Bearing:	SIC
Installation:	
Maximum ambient temperature:	104 °F
Maximum operating pressure:	363 psi
Max pressure at stated temperature:	363 psi / 194 °F 363 psi / -4 °F
Type of connection:	DIN / ANSI / JIS
Size of inlet connection:	DN 25/32
Size of suction port:	1 1/4 inch
Size of outlet connection:	DN 25/32
Size of outlet port:	1 1/4 inch
Pressure rating for pipe connection:	PN 25
Flange rating inlet:	300 lb
Flange size for motor:	213TC
Connect code:	FGJ
Liquid:	
Pumped liquid:	Water
Liquid temperature range:	-4 .. 194 °F
Liquid temperature during operation:	68 °F
Density:	62.29 lb/ft³
Electrical data:	
Motor standard:	NEMA
Motor type:	Baldor
Rated power - P2:	7.5 HP
Power (P2) required by pump:	7.5 HP
Main frequency:	60 Hz
Rated voltage:	1 x 208-230 V





Company name:

Created by:

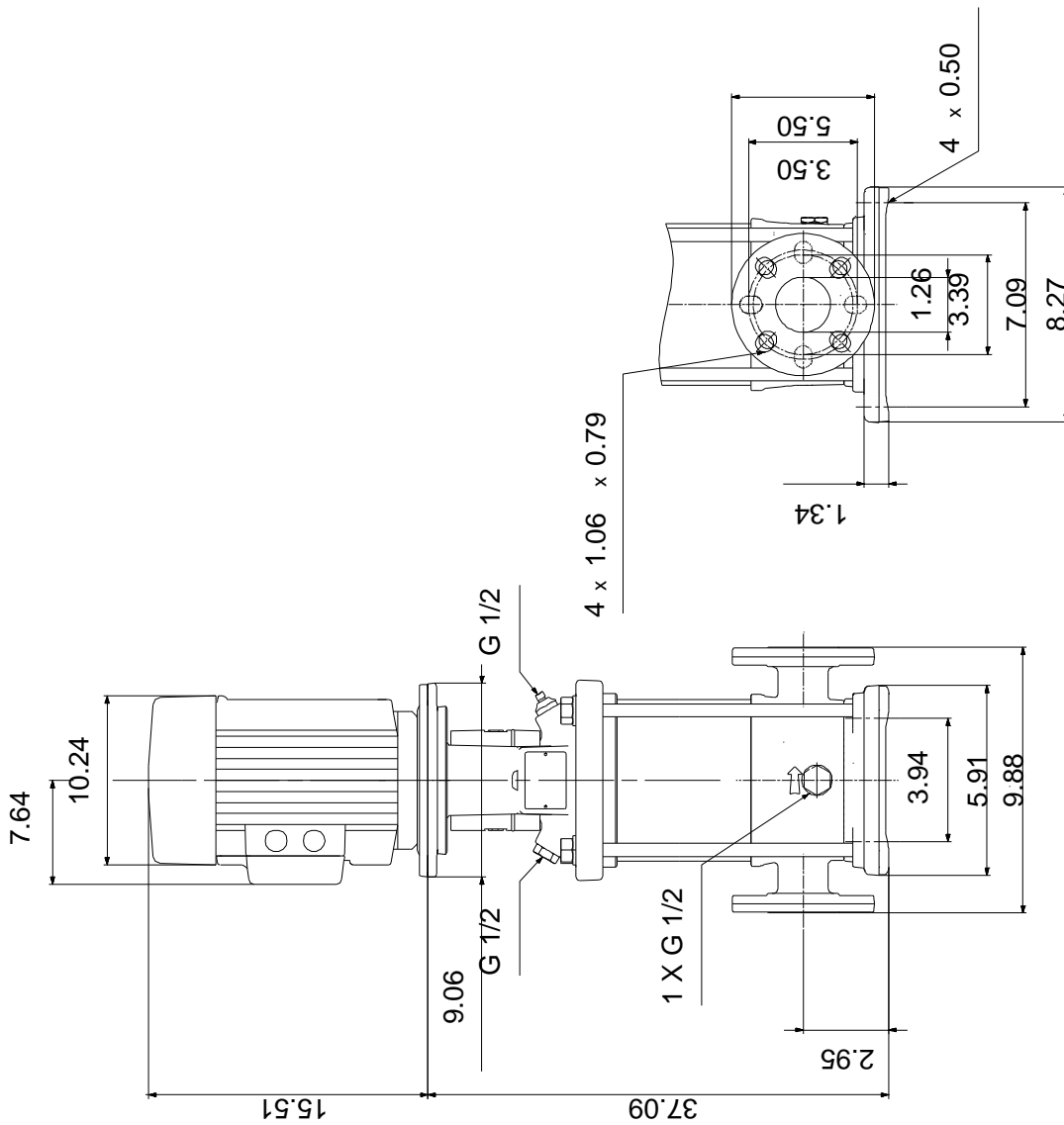
Phone:

Date:

3/15/2019

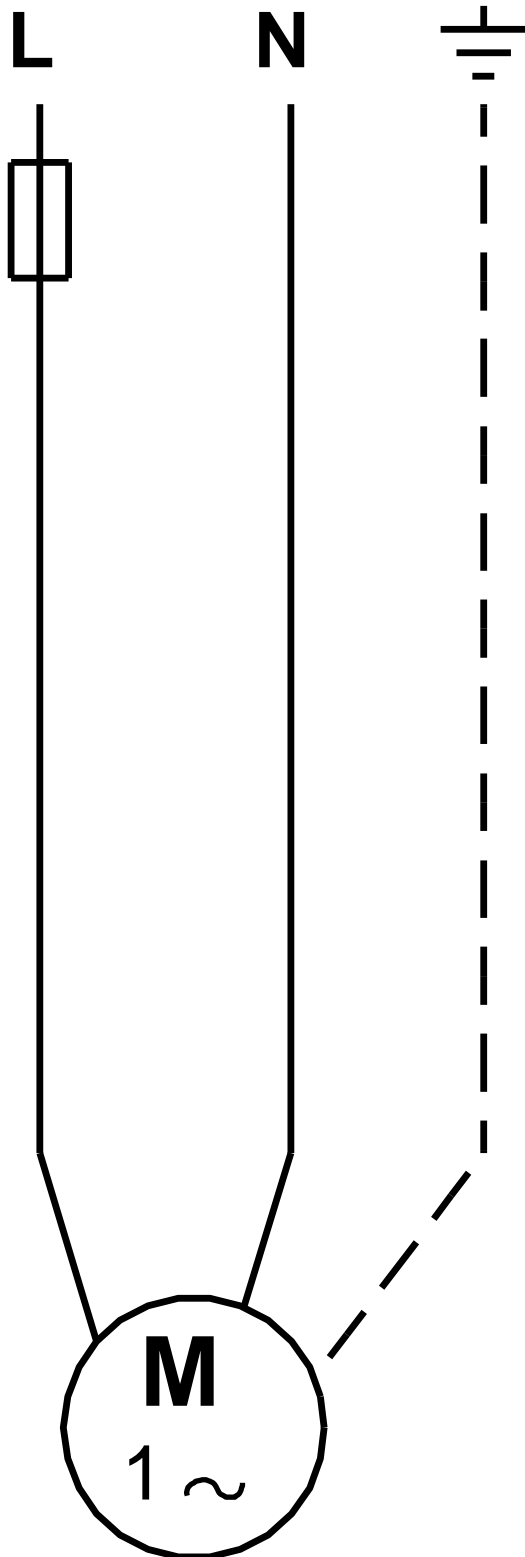
Description	Value
Service factor:	1.15
Rated current:	33.8-31.0 A
Load current:	39.3-35.5 A
Rated speed:	3450 rpm
Number of poles:	2
Insulation class (IEC 85):	F
Motor protection:	NONE
Motor Number:	85700017
Controls:	
Frequency converter:	NONE
Others:	
Net weight:	185 lb
Gross weight:	297 lb
Shipping volume:	12.9 ft ³
Country of origin:	US
Custom tariff no.:	8413.70.2040

96085141 CRN 5-24 A-FGJ-A-V-HQQV 60 Hz



Note! All units are in [mm] unless otherwise stated.
 Disclaimer: This simplified dimensional drawing does not show all details.

96085141 CRN 5-24 A-FGJ-A-V-HQQV 60 Hz



All units are [mm] unless otherwise presented.