

PROJECT: _____	UNIT TAG: _____	QUANTITY: _____
REPRESENTATIVE: _____	TYPE OF SERVICE: _____	DATE: _____
ENGINEER: _____	SUBMITTED BY: _____	DATE: _____
CONTRACTOR: _____	APPROVED BY: _____	DATE: _____
	ORDER NO.: _____	DATE: _____

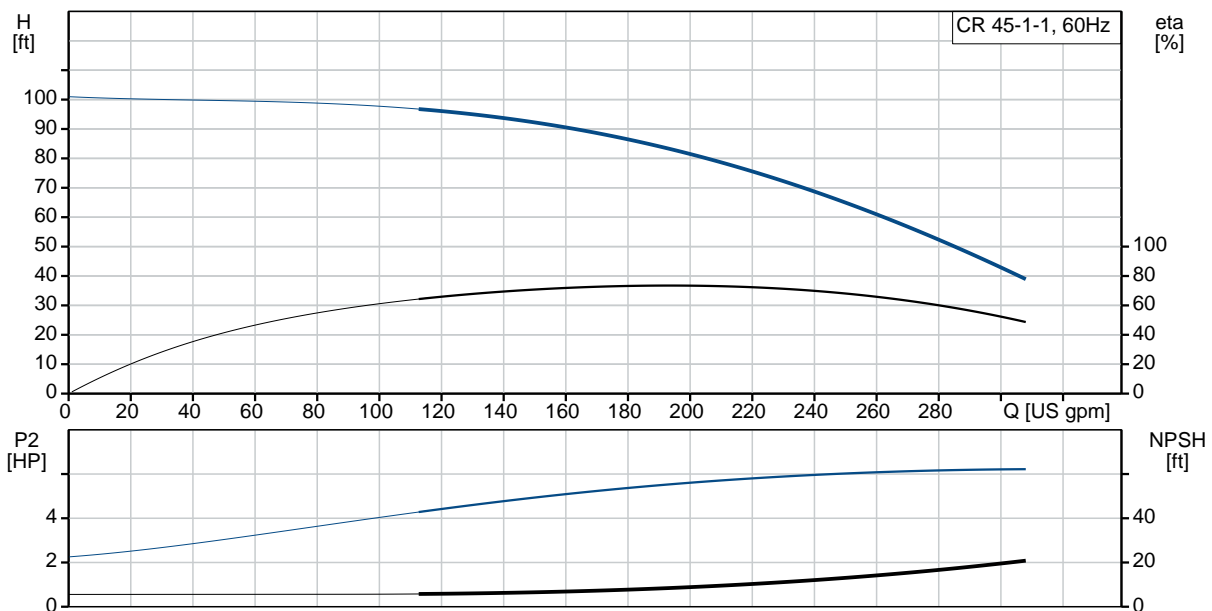


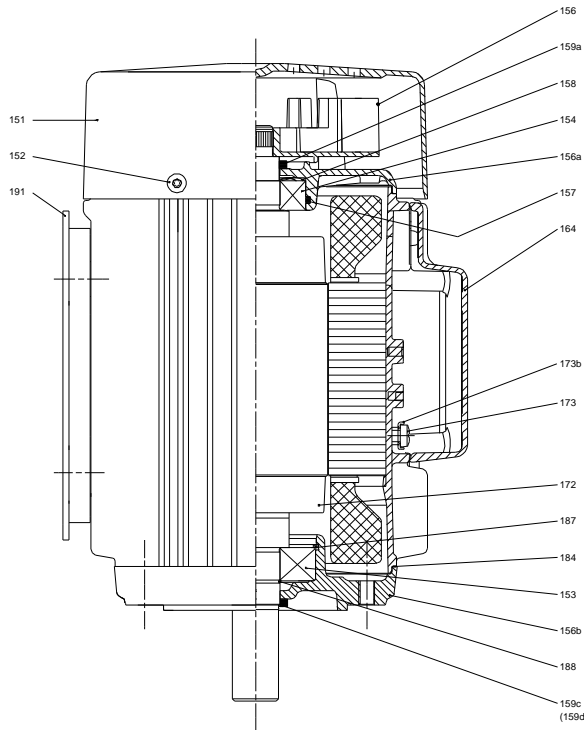
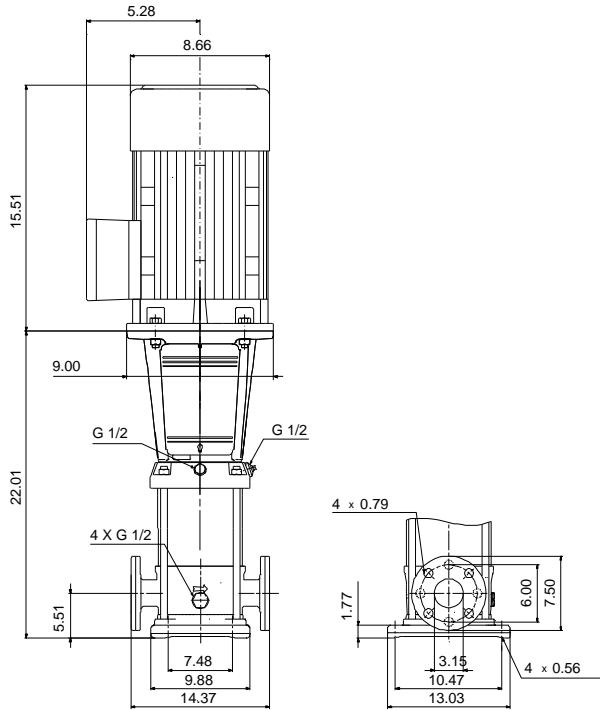
CR 45-1-1 A-G-A-E-HQQE

Vertical, multistage centrifugal pump with suction and discharge ports on the same level. The pump head and base are in cast iron. All other wetted parts are in stainless steel (EN 1.4301) (AISI 304)

Product photo could vary from the actual product


Conditions of Service	Pump Data	Motor Data
Flow: _____	Max pressure at stated temperature: 232 psi / 250 °F	Rated power - P2: 7.5 HP
Head: _____	Liquid temperature range: -22 .. 248 °F	Rated voltage: 208-230YY/460Y V
Efficiency: _____	Maximum ambient temperature: 140 °F	Main frequency: 60 Hz
Liquid: Water	Approvals: CURUS,NSF61	Enclosure class: 55 Dust/Jetting
Temperature: 68 °F	Shaft seal: HQQE	Insulation class: F
NPSH required: ft	Product number: 96419134	Motor protection: PTC
Viscosity: _____		Motor type: 132DA
Specific Gravity: 1.000		Motor_efficiency: 89.5 %





Materials:

- Base: Cast iron
EN 1563 EN-GJS-500-7
ASTM A536 80-55-06
- Impeller: Stainless steel
AISI 304
EN 1.4301
- Material code: A
- Code for rubber: E

Count	Description
1	<p data-bbox="298 415 597 443">CR 45-1-1 A-G-A-E-HQQE</p> <div data-bbox="441 457 532 705" style="text-align: center;">  </div> <p data-bbox="298 732 565 760">Product No.: 96419134</p> <p data-bbox="298 762 815 848">Vertical, non-self-priming, multistage, in-line, centrifugal pump for installation in pipe systems and mounting on a foundation.</p> <p data-bbox="298 882 771 909">The pump has the following characteristics:</p> <ul data-bbox="337 911 917 1026" style="list-style-type: none"> - Impellers and intermediate chambers are made of - The shaft seal has assembly length according to EN 12756. - Power transmission is via cast iron split coupling. <p data-bbox="298 1089 669 1117">The motor is a 3-phase AC motor.</p> <p data-bbox="298 1150 397 1178">Controls:</p> <p data-bbox="298 1180 730 1207">Frequency converter: NONE</p> <p data-bbox="298 1241 381 1268">Liquid:</p> <p data-bbox="298 1270 727 1297">Pumped liquid: Water</p> <p data-bbox="298 1299 795 1327">Liquid temperature range: -22 .. 248 °F</p> <p data-bbox="298 1329 776 1356">Liquid temperature during operation: 68 °F</p> <p data-bbox="298 1358 776 1386">Density: 62.29 lb/ft³</p> <p data-bbox="298 1419 422 1446">Technical:</p> <p data-bbox="298 1449 763 1476">Rated pump speed: 3467 rpm</p> <p data-bbox="298 1478 795 1505">Rated flow: 238 US gpm</p> <p data-bbox="298 1507 743 1535">Rated head: 72.51 ft</p> <p data-bbox="298 1537 743 1564">Pump orientation: Vertical</p> <p data-bbox="298 1566 727 1593">Shaft seal arrangement: Single</p> <p data-bbox="298 1596 730 1623">Code for shaft seal: HQQE</p> <p data-bbox="298 1625 828 1652">Approvals on nameplate: CURUS,NSF61</p> <p data-bbox="298 1654 852 1682">Curve tolerance: ISO9906:2012 3B</p> <p data-bbox="298 1715 414 1743">Materials:</p> <p data-bbox="298 1745 922 1831">Base: Cast iron EN 1563 EN-GJS-500-7 ASTM A536 80-55-06</p> <p data-bbox="298 1833 820 1887">Impeller: Stainless steel EN 1.4301</p>



Company name: PFC EQUIPMENT

Created by:

Phone:

Date: 3/18/2019

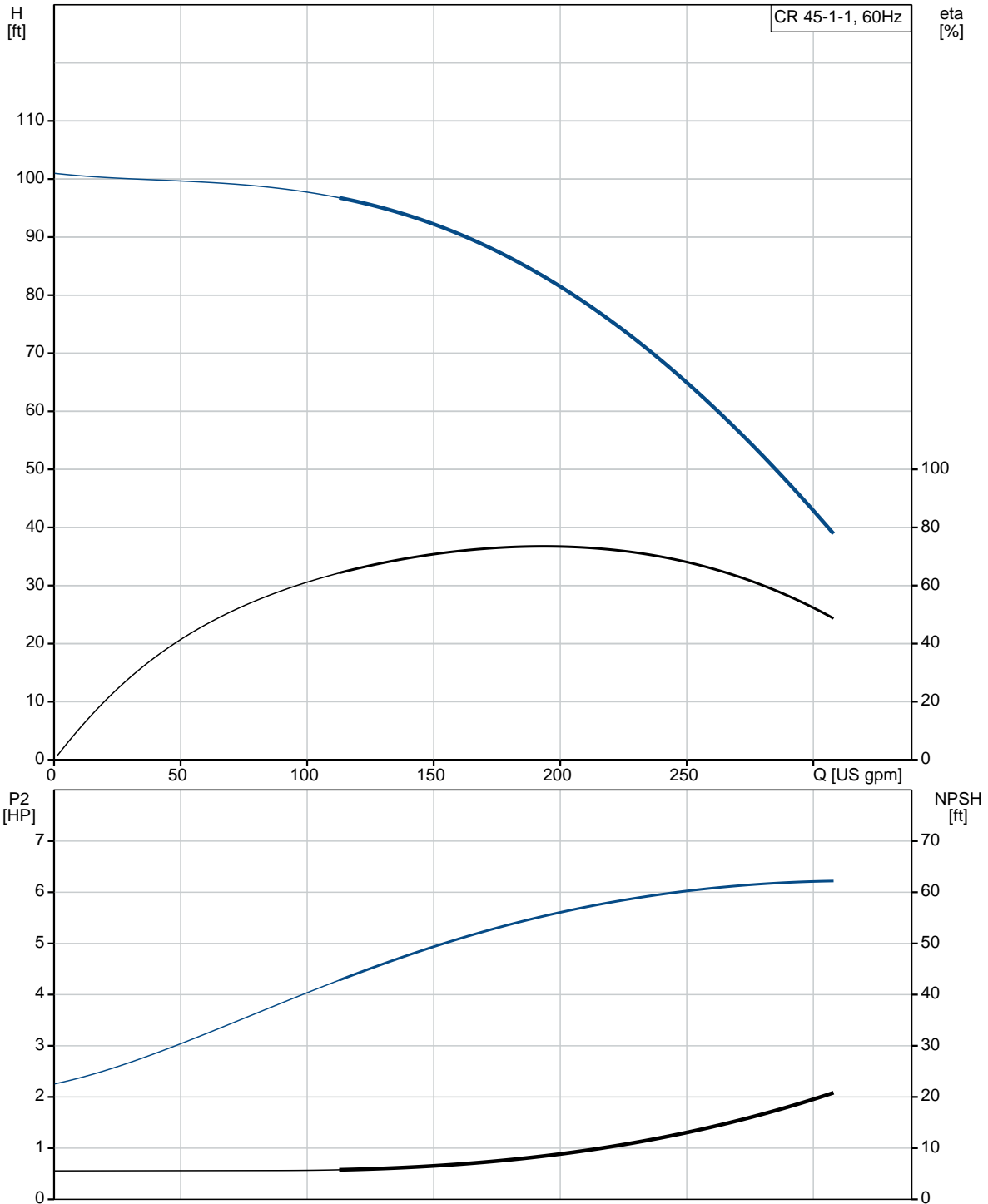
Count	Description
	AISI 304 Bearing: SIC Support bearing: Graflon
	Installation: Maximum ambient temperature: 140 °F Maximum operating pressure: 232 psi Max pressure at stated temperature: 232 psi / 250 °F 232 psi / -22 °F Type of connection: ANSI Size of suction port: 3 inch Size of outlet port: 3 inch Pressure rating for pipe connection: PN 16 Flange rating inlet: 150 lb Flange size for motor: 213TC
	Electrical data: Motor standard: NEMA Motor type: 132DA IE Efficiency class: NEMA Premium / IE3 60Hz Rated power - P2: 7.5 HP Power (P2) required by pump: 7.5 HP Main frequency: 60 Hz Rated voltage: 3 x 208-230YY/460Y V Service factor: 1.15 Rated current: 19,5-18,1/9,09 A Starting current: 1020-1480 % Cos phi - power factor: 0.89-0.86 Rated speed: 3490-3515 rpm IE efficiency: IE3 89,5% Motor efficiency at full load: 89.5 % Motor efficiency at 3/4 load: 89.7 % Motor efficiency at 1/2 load: 88.3 % Number of poles: 2 Enclosure class (IEC 34-5): 55 Dust/Jetting Insulation class (IEC 85): F
	Others: Net weight: 222 lb Gross weight: 239 lb Shipping volume: 10.9 ft³ Country of origin: US Custom tariff no.: 8413.70.2040



Company name: PFC EQUIPMENT
Created by:
Phone:

Date: 3/18/2019

96419134 CR 45-1-1 A-G-A-E-HQQE 60 Hz

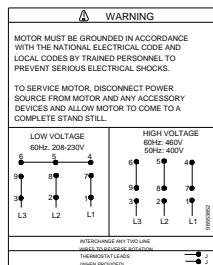
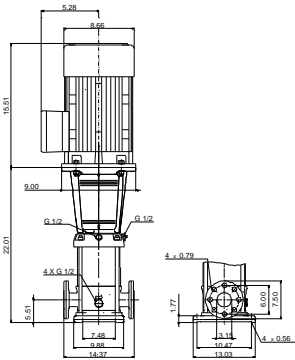
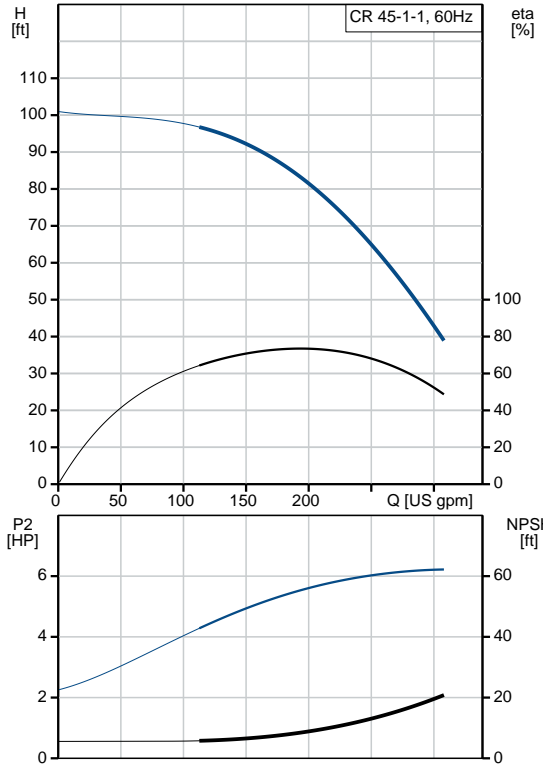




Company name: PFC EQUIPMENT
 Created by:
 Phone:

Date: 3/18/2019

Description	Value
General information:	
Product name:	CR 45-1-1 A-G-A-E-HQQE
Product No.:	96419134
EAN:	5700390748098
Technical:	
Rated pump speed:	3467 rpm
Rated flow:	238 US gpm
Rated head:	72.51 ft
Head max:	101.7 ft
Stages:	1
Impellers:	1
Number of reduced-diameter impellers:	1
Low NPSH:	N
Pump orientation:	Vertical
Shaft seal arrangement:	Single
Code for shaft seal:	HQQE
Approvals on nameplate:	CURUS,NSF61
Curve tolerance:	ISO9906:2012 3B
Pump version:	A
Model:	B
Cooling:	TEFC
Materials:	
Base:	Cast iron EN 1563 EN-GJS-500-7
Impeller:	ASTM A536 80-55-06 Stainless steel EN 1.4301 AISI 304
Material code:	A
Code for rubber:	E
Bearing:	SIC
Support bearing:	Graflon
Installation:	
Maximum ambient temperature:	140 °F
Maximum operating pressure:	232 psi
Max pressure at stated temperature:	232 psi / 250 °F
	232 psi / -22 °F
Type of connection:	ANSI
Size of suction port:	3 inch
Size of outlet port:	3 inch
Pressure rating for pipe connection:	PN 16
Flange rating inlet:	150 lb
Flange size for motor:	213TC
Connect code:	G </td
Liquid:	





Company name: PFC EQUIPMENT

Created by:

Phone:

Date: 3/18/2019

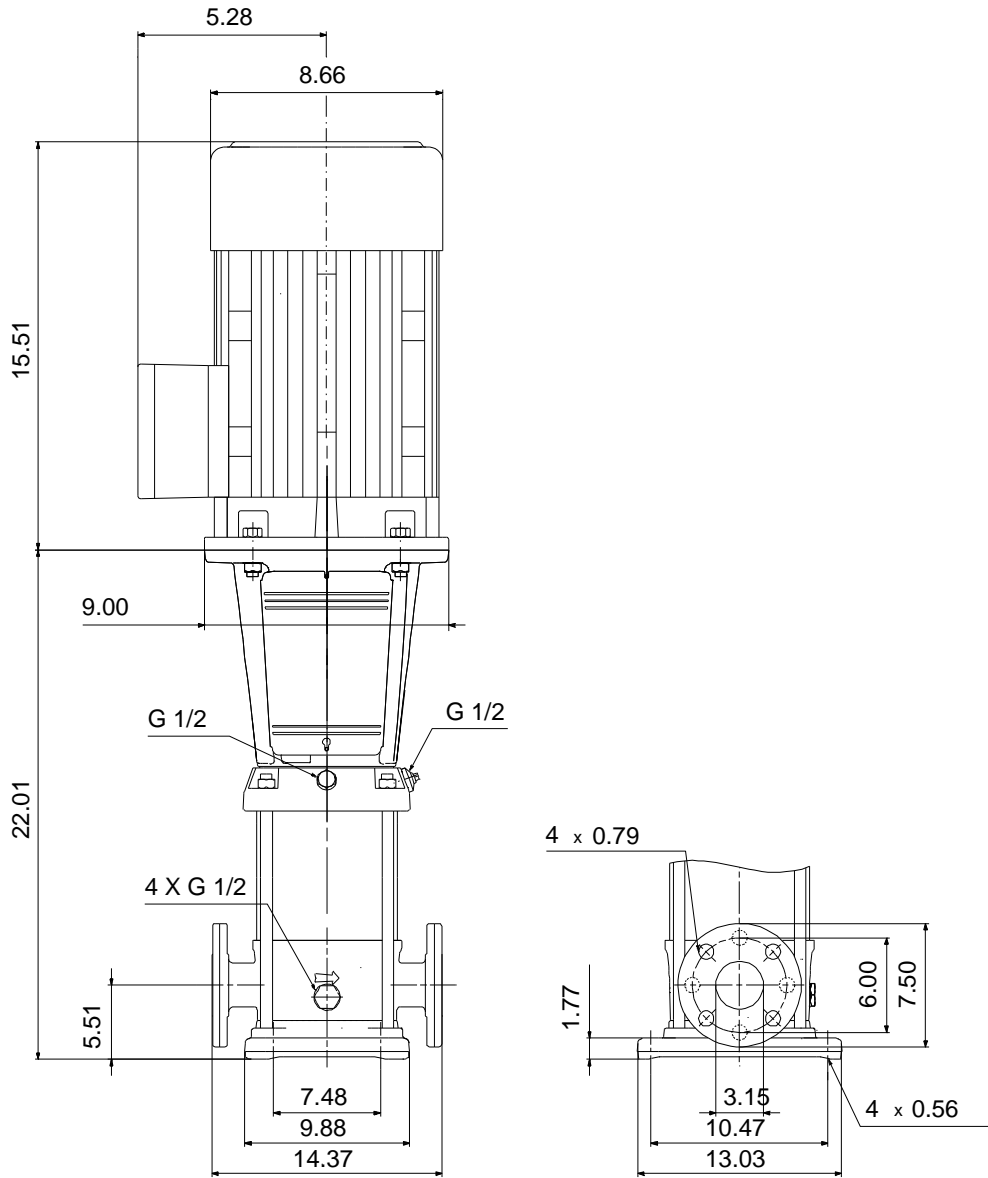
Description	Value
Pumped liquid:	Water
Liquid temperature range:	-22 .. 248 °F
Liquid temperature during operation:	68 °F
Density:	62.29 lb/ft ³
Electrical data:	
Motor standard:	NEMA
Motor type:	132DA
IE Efficiency class:	NEMA Premium / IE3 60Hz
Rated power - P2:	7.5 HP
Power (P2) required by pump:	7.5 HP
KVA code:	L
Main frequency:	60 Hz
Rated voltage:	3 x 208-230YY/460Y V
Service factor:	1.15
Rated current:	19,5-18,1/9,09 A
Starting current:	1020-1480 %
Load current:	22,4-20,8/10,4 A
Cos phi - power factor:	0.89-0.86
Rated speed:	3490-3515 rpm
IE efficiency:	IE3 89,5%
Motor efficiency at full load:	89.5 %
Motor efficiency at 3/4 load:	89.7 %
Motor efficiency at 1/2 load:	88.3 %
Number of poles:	2
Enclosure class (IEC 34-5):	55 Dust/Jetting
Insulation class (IEC 85):	F
Motor protection:	PTC
Motor Number:	85904392
Controls:	
Frequency converter:	NONE
Others:	
Net weight:	222 lb
Gross weight:	239 lb
Shipping volume:	10.9 ft ³
Sales region:	Namreg
Country of origin:	US
Custom tariff no.:	8413.70.2040



Company name: PFC EQUIPMENT
Created by:
Phone:

Date: 3/18/2019

96419134 CR 45-1-1 A-G-A-E-HQQE 60 Hz



Note! All units are in [mm] unless otherwise stated.
Disclaimer: This simplified dimensional drawing does not show all details.

96419134 CR 45-1-1 A-G-A-E-HQQE 60 Hz

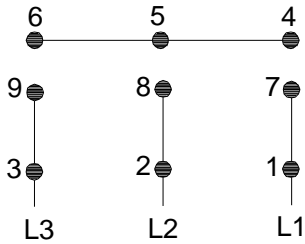


WARNING

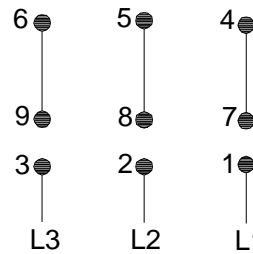
MOTOR MUST BE GROUNDED IN ACCORDANCE WITH THE NATIONAL ELECTRICAL CODE AND LOCAL CODES BY TRAINED PERSONNEL TO PREVENT SERIOUS ELECTRICAL SHOCKS.

TO SERVICE MOTOR, DISCONNECT POWER SOURCE FROM MOTOR AND ANY ACCESSORY DEVICES AND ALLOW MOTOR TO COME TO A COMPLETE STAND STILL.

LOW VOLTAGE
60Hz. 208-230V



HIGH VOLTAGE
60Hz: 460V
50Hz: 400V



96553852

INTERCHANGE ANY TWO LINE WIRES TO REVERSE ROTATION
 THERMOSTAT LEADS (WHEN PROVIDED)



All units are [mm] unless otherwise presented.