

PROJECT: _____	UNIT TAG: _____	QUANTITY: _____
REPRESENTATIVE: _____	TYPE OF SERVICE: _____	DATE: _____
ENGINEER: _____	SUBMITTED BY: _____	DATE: _____
CONTRACTOR: _____	APPROVED BY: _____	DATE: _____
	ORDER NO.: _____	DATE: _____

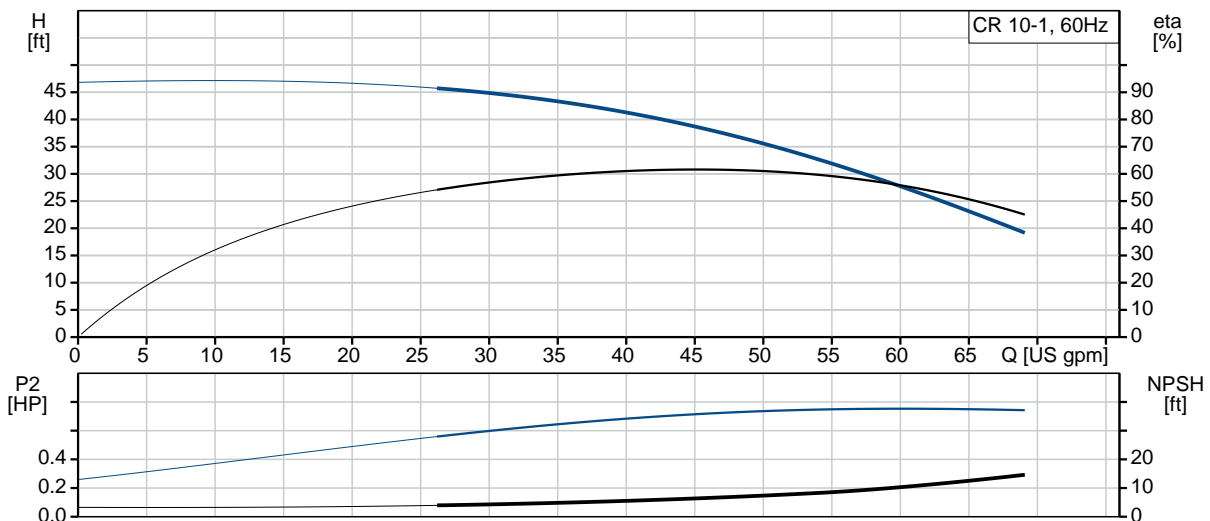


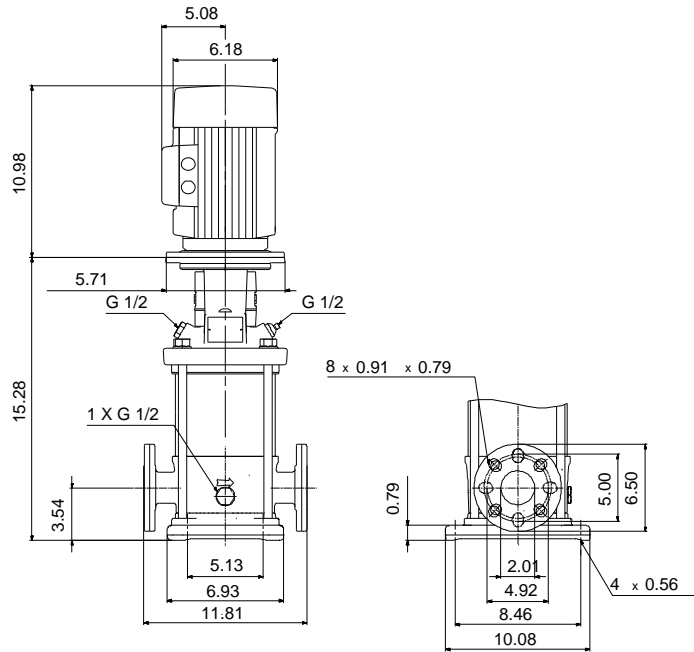
Product photo could vary from the actual product

### CR 10-1 A-GJ-A-E-HQQE

Vertical, multistage centrifugal pump with suction and discharge ports on the same level. The pump head and base are in cast iron. All other wetted parts are in stainless steel (EN 1.4301)(AISI 304)

Conditions of Service	Pump Data	Motor Data
Flow: _____	Max pressure at stated temperature: 232 psi / 250 °F	Rated power - P2: 0.75 HP
Head: _____	Liquid temperature range: -4 .. 248 °F	Rated voltage: 115/208-230 V
Efficiency: _____	Maximum ambient temperature: 104 °F	Main frequency: 60 Hz
Liquid: Water	Approvals: CURUS	Enclosure class: 54 Dust/Splashing
Temperature: 68 °F	Shaft seal: HQQE	Insulation class: B
NPSH required: ft	Product number: 96522826	Motor protection: NONE
Viscosity: _____		Motor type: Baldor
Specific Gravity: 1.000		





**Materials:**

Base: Cast iron  
 EN 1561 EN-GJL-200  
 ASTM A48-25B

Impeller: Stainless steel  
 AISI 304  
 EN 1.4301

Material code: A  
 Code for rubber: E

Count	Description
1	<p data-bbox="298 415 586 443"><b>CR 10-1 A-GJ-A-E-HQQE</b></p> <div data-bbox="431 464 537 701" style="text-align: center;">  </div> <p data-bbox="298 737 561 764">Product No.: <a href="#">96522826</a></p> <p data-bbox="298 766 813 848">Vertical, non-self-priming, multistage, in-line, centrifugal pump for installation in pipe systems and mounting on a foundation.</p> <p data-bbox="298 884 769 911">The pump has the following characteristics:</p> <ul data-bbox="337 913 915 972" style="list-style-type: none"> <li>- Impellers and intermediate chambers are made of</li> <li>- The shaft seal has assembly length according to EN 12756.</li> <li>- Power transmission is via cast iron split coupling.</li> </ul> <p data-bbox="298 1094 667 1121">The motor is a 1-phase AC motor.</p> <p data-bbox="298 1150 399 1178">Controls:</p> <p data-bbox="298 1180 732 1207">Frequency converter: NONE</p> <p data-bbox="298 1241 383 1268"><b>Liquid:</b></p> <p data-bbox="298 1270 727 1297">Pumped liquid: Water</p> <p data-bbox="298 1299 781 1327">Liquid temperature range: -4 .. 248 °F</p> <p data-bbox="298 1329 769 1356">Liquid temperature during operation: 68 °F</p> <p data-bbox="298 1358 776 1386">Density: 62.29 lb/ft<sup>3</sup></p> <p data-bbox="298 1419 423 1446"><b>Technical:</b></p> <p data-bbox="298 1449 764 1476">Rated pump speed: 3464 rpm</p> <p data-bbox="298 1478 802 1505">Rated flow: 53.3 US gpm</p> <p data-bbox="298 1507 743 1535">Rated head: 33.14 ft</p> <p data-bbox="298 1537 743 1564">Pump orientation: Vertical</p> <p data-bbox="298 1566 727 1593">Shaft seal arrangement: Single</p> <p data-bbox="298 1596 732 1623">Code for shaft seal: HQQE</p> <p data-bbox="298 1625 748 1652">Approvals on nameplate: CURUS</p> <p data-bbox="298 1654 850 1682">Curve tolerance: ISO9906:2012 3B</p> <p data-bbox="298 1715 415 1743"><b>Materials:</b></p> <p data-bbox="298 1745 899 1827">Base: Cast iron EN 1561 EN-GJL-200 ASTM A48-25B</p> <p data-bbox="298 1829 818 1887">Impeller: Stainless steel EN 1.4301</p>



Company name: PFC EQUIPMENT

Created by:

Phone:

Date: 3/18/2019

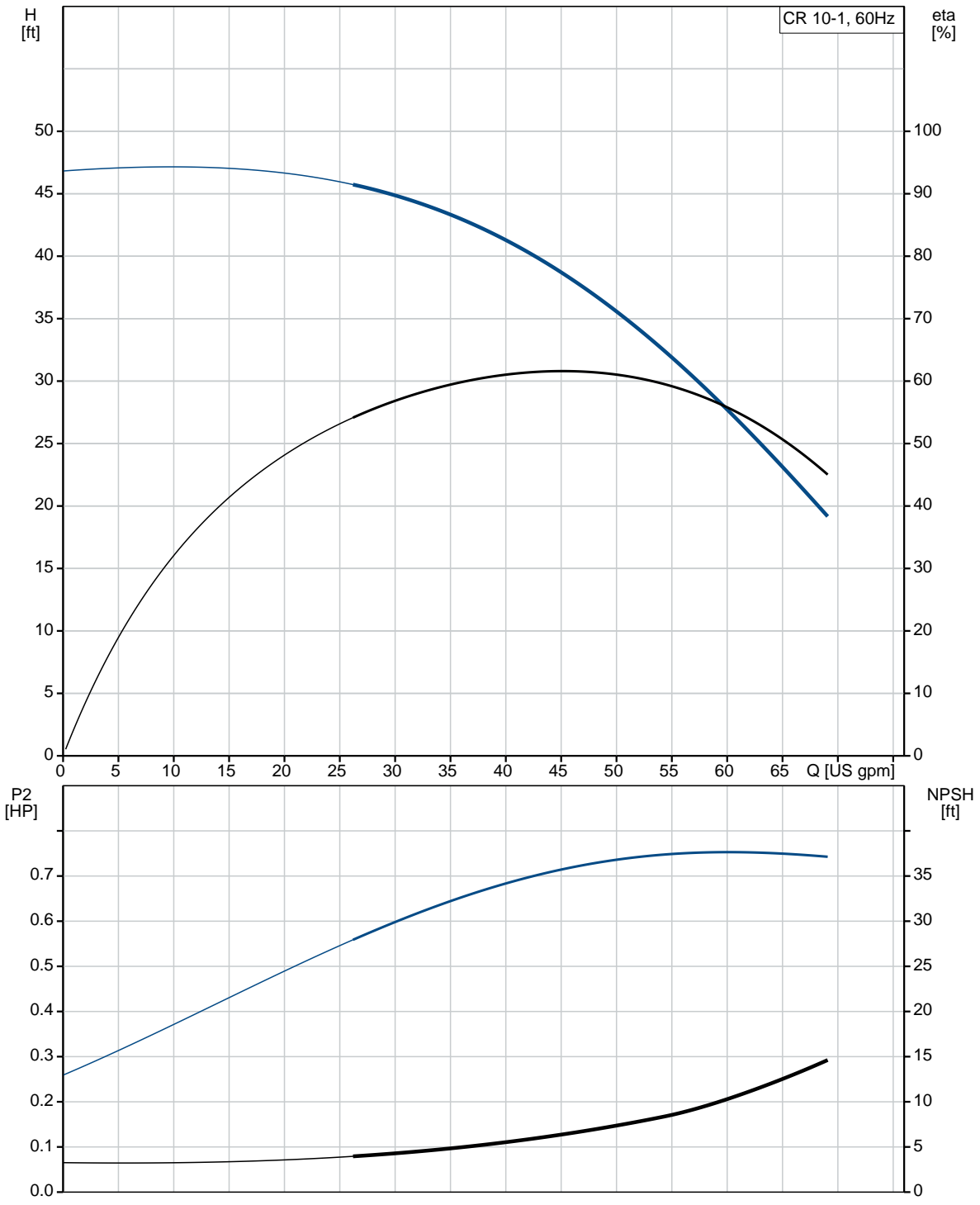
Count	Description
	AISI 304 Bearing: SIC
	<b>Installation:</b> Maximum ambient temperature: 104 °F Maximum operating pressure: 232 psi Max pressure at stated temperature: 232 psi / 250 °F 232 psi / -4 °F Type of connection: ANSI / JIS Size of inlet connection: DN 50 Size of suction port: 2 inch Size of outlet connection: DN 50 Size of outlet port: 2 inch Pressure rating for pipe connection: PN 25 Flange rating inlet: 300 lb Flange size for motor: 56C
	<b>Electrical data:</b> Motor standard: NEMA Motor type: Baldor Rated power - P2: 0.75 HP Power (P2) required by pump: 0.75 HP Main frequency: 60 Hz Rated voltage: 1 x 115/208-230 V Service factor: 1.25 Rated current: 9,60/5,00-4,80 A Rated speed: 3450 rpm Number of poles: 2 Enclosure class (IEC 34-5): 54 Dust/Splashing Insulation class (IEC 85): B
	<b>Others:</b> Net weight: 97 lb Gross weight: 115 lb Shipping volume: 6.11 ft³ Country of origin: US Custom tariff no.: 8413.70.2040



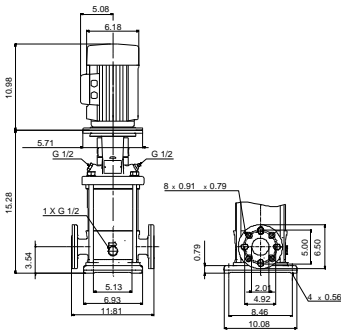
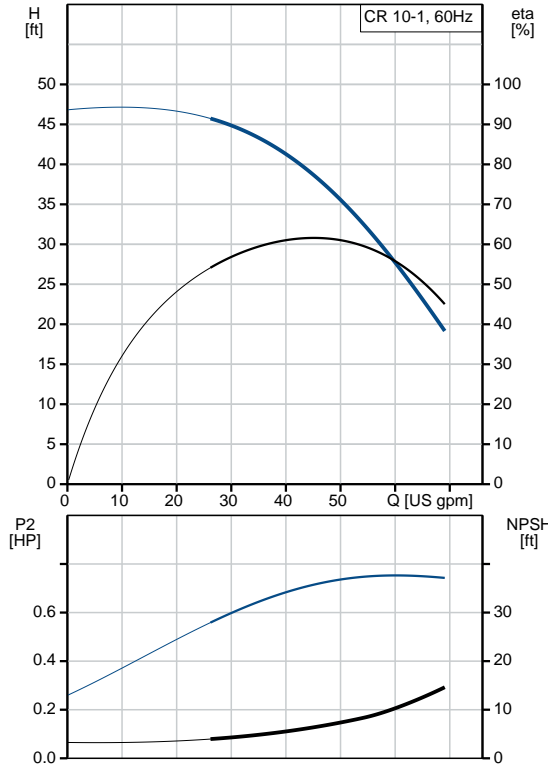
Company name: PFC EQUIPMENT  
Created by:  
Phone:

Date: 3/18/2019

### 96522826 CR 10-1 A-GJ-A-E-HQQE 60 Hz



Description	Value
<b>General information:</b>	
Product name:	CR 10-1 A-GJ-A-E-HQQE
Product No.:	96522826
EAN:	5700396894584
<b>Technical:</b>	
Rated pump speed:	3464 rpm
Rated flow:	53.3 US gpm
Rated head:	33.14 ft
Head max:	46.92 ft
Stages:	2
Impellers:	1
Number of reduced-diameter impellers:	0
Low NPSH:	N
Pump orientation:	Vertical
Shaft seal arrangement:	Single
Code for shaft seal:	HQQE
Approvals on nameplate:	CURUS
Curve tolerance:	ISO9906:2012 3B
Pump version:	A
Model:	A
Cooling:	TEFC
<b>Materials:</b>	
Base:	Cast iron EN 1561 EN-GJL-200 ASTM A48-25B
Impeller:	Stainless steel EN 1.4301 AISI 304
Material code:	A
Code for rubber:	E
Bearing:	SIC
<b>Installation:</b>	
Maximum ambient temperature:	104 °F
Maximum operating pressure:	232 psi
Max pressure at stated temperature:	232 psi / 250 °F
	232 psi / -4 °F
Type of connection:	ANSI / JIS
Size of inlet connection:	DN 50
Size of suction port:	2 inch
Size of outlet connection:	DN 50
Size of outlet port:	2 inch
Pressure rating for pipe connection:	PN 25
Flange rating inlet:	300 lb
Flange size for motor:	56C
Connect code:	GJ
<b>Liquid:</b>	





Company name: PFC EQUIPMENT

Created by:

Phone:

Date: 3/18/2019

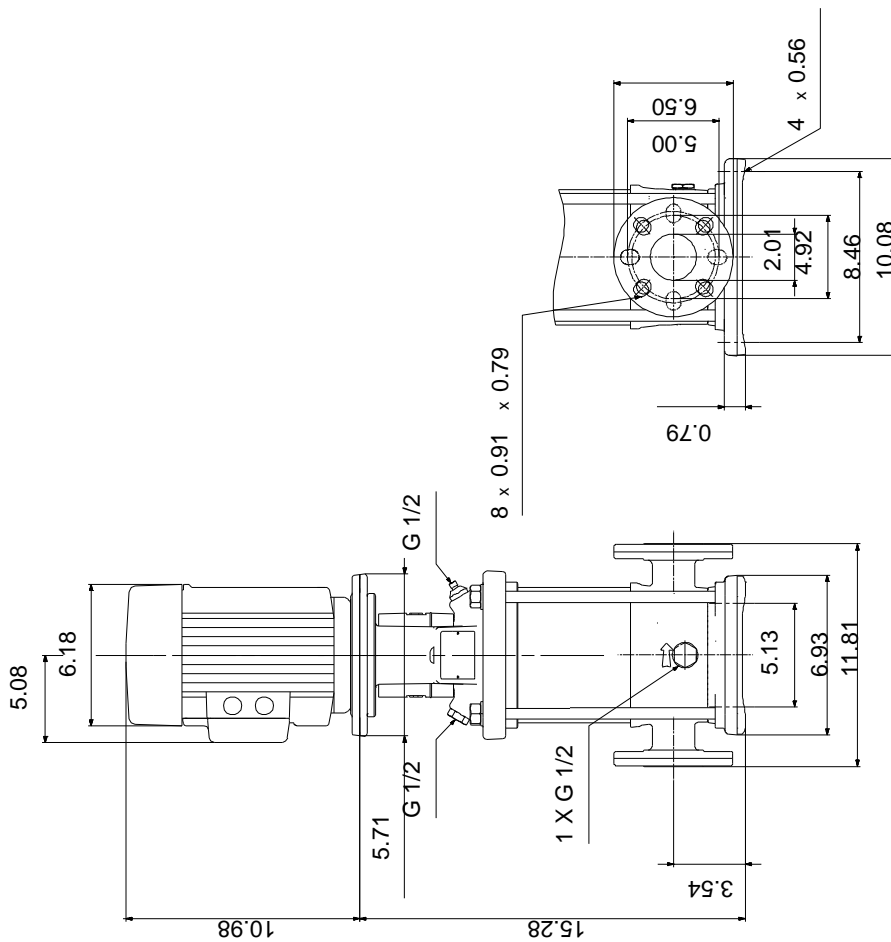
Description	Value
Pumped liquid:	Water
Liquid temperature range:	-4 .. 248 °F
Liquid temperature during operation:	68 °F
Density:	62.29 lb/ft <sup>3</sup>
<b>Electrical data:</b>	
Motor standard:	NEMA
Motor type:	Baldor
Rated power - P2:	0.75 HP
Power (P2) required by pump:	0.75 HP
Main frequency:	60 Hz
Rated voltage:	1 x 115/208-230 V
Service factor:	1.25
Rated current:	9,60/5,00-4,80 A
Load current:	11.4/6.0-5.7 A
Rated speed:	3450 rpm
Number of poles:	2
Enclosure class (IEC 34-5):	54 Dust/Splashing
Insulation class (IEC 85):	B
Motor protection:	NONE
Motor Number:	84Z04001
<b>Controls:</b>	
Frequency converter:	NONE
<b>Others:</b>	
Net weight:	97 lb
Gross weight:	115 lb
Shipping volume:	6.11 ft <sup>3</sup>
Country of origin:	US
Custom tariff no.:	8413.70.2040



Company name: PFC EQUIPMENT  
Created by:  
Phone:

Date: 3/18/2019

### 96522826 CR 10-1 A-GJ-A-E-HQQE 60 Hz



Note! All units are in [mm] unless otherwise stated.  
Disclaimer: This simplified dimensional drawing does not show all details.

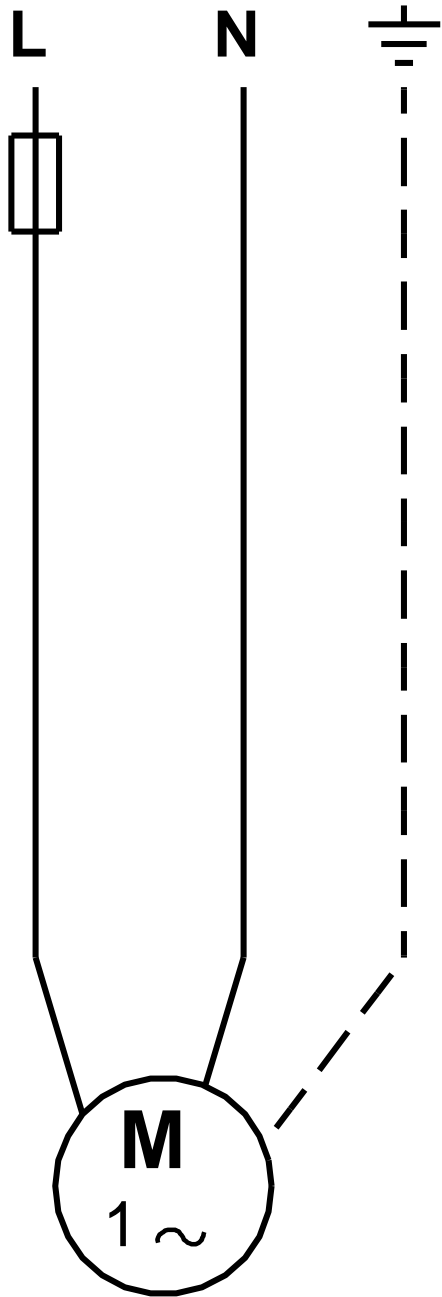




Company name: PFC EQUIPMENT  
Created by:  
Phone:

Date: 3/18/2019

96522826 CR 10-1 A-GJ-A-E-HQQE 60 Hz



All units are [mm] unless otherwise presented.