

|                       |                        |                 |
|-----------------------|------------------------|-----------------|
| PROJECT: _____        | UNIT TAG: _____        | QUANTITY: _____ |
| REPRESENTATIVE: _____ | TYPE OF SERVICE: _____ | DATE: _____     |
| ENGINEER: _____       | SUBMITTED BY: _____    | DATE: _____     |
| CONTRACTOR: _____     | APPROVED BY: _____     | DATE: _____     |
|                       | ORDER NO.: _____       | DATE: _____     |

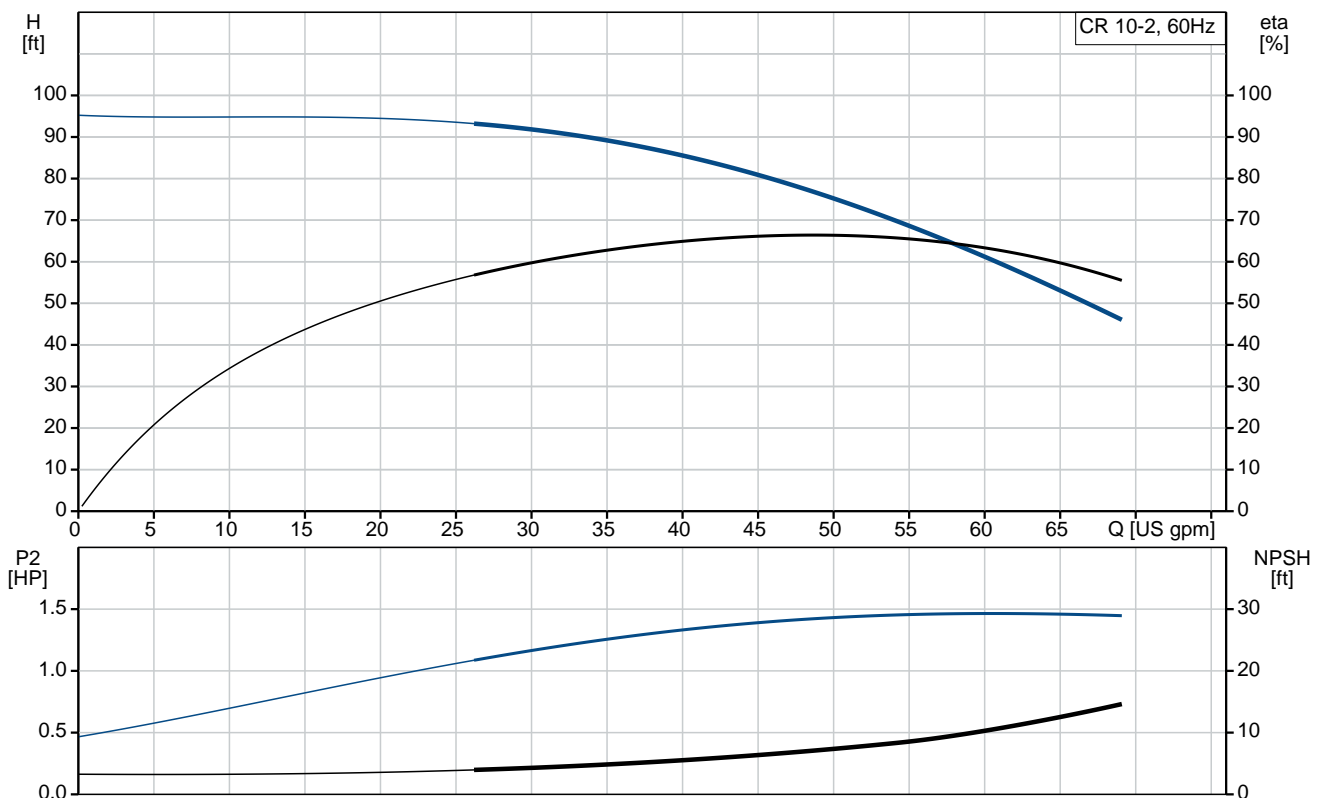


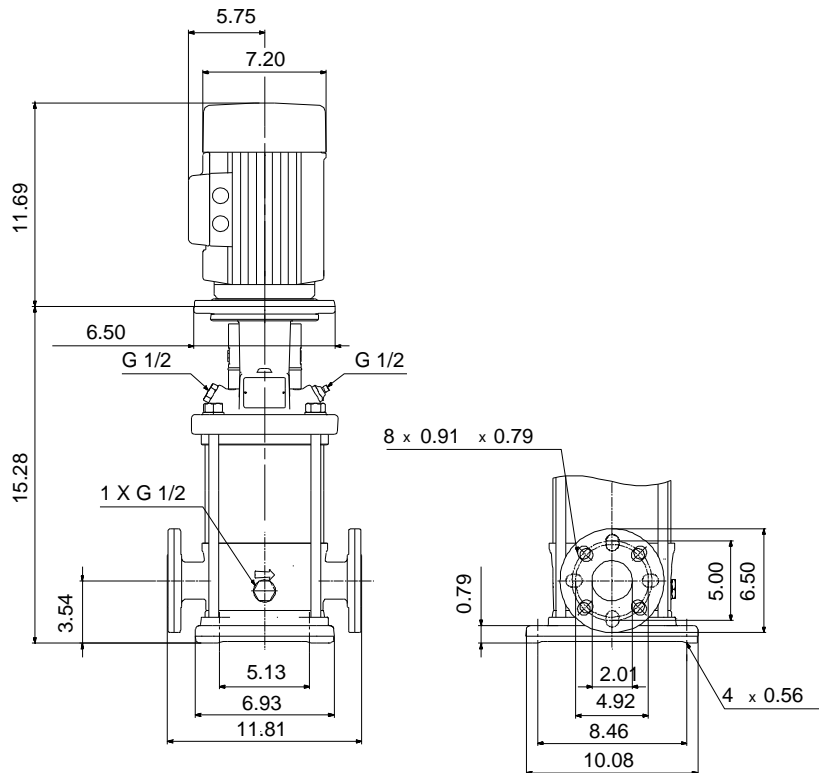
Product photo could vary from the actual product

## CR 10-2 A-GJ-A-E-HQQE

Vertical, multistage centrifugal pump with suction and discharge ports on the same level. The pump head and base are in cast iron. All other wetted parts are in stainless steel (EN 1.4301)(AISI 304)

| Conditions of Service   | Pump Data  | Motor Data                   |
|-------------------------|--|------------------------------|
| Flow: _____             | Max pressure at stated temperature: 232 psi / 250 °F | Rated power - P2: 1.5 HP     |
| Head: _____             | Liquid temperature range: -4 .. 248 °F               | Rated voltage: 115/208-230 V |
| Efficiency: _____       | Maximum ambient temperature: 104 °F                  | Main frequency: 60 Hz        |
| Liquid: Water           | Approvals: CURUS                                     | Insulation class: B          |
| Temperature: 68 °F      | Shaft seal: HQQE                                     | Motor protection: NONE       |
| NPSH required: ft       | Product number: 96522827                             | Motor type: Baldor           |
| Viscosity: _____        |  |                              |
| Specific Gravity: 1.000 |  |                              |






**Materials:**

Base: Cast iron  
 EN 1561 EN-GJL-200  
 ASTM A48-25B

Impeller: Stainless steel  
 AISI 304  
 EN 1.4301

Material code: A  
 Code for rubber: E

| Count | Description   |
|-------|---|
| 1     | <p data-bbox="225 338 518 367"><b>CR 10-2 A-GJ-A-E-HQQE</b></p> <div data-bbox="363 387 459 629" style="text-align: center;">  </div> <p data-bbox="225 660 491 689">Product No.: <a href="#">96522827</a></p> <p data-bbox="225 692 748 779">Vertical, non-self-priming, multistage, in-line, centrifugal pump for installation in pipe systems and mounting on a foundation.</p> <p data-bbox="225 808 703 837">The pump has the following characteristics:</p> <ul data-bbox="264 840 850 958" style="list-style-type: none"> <li>- Impellers and intermediate chambers are made of</li> <li>- The shaft seal has assembly length according to EN 12756.</li> <li>- Power transmission is via cast iron split coupling.</li> </ul> <p data-bbox="225 1016 600 1046">The motor is a 1-phase AC motor.</p> <p data-bbox="225 1077 328 1106">Controls:</p> <p data-bbox="225 1108 662 1137">Frequency converter:                 NONE</p> <p data-bbox="225 1169 312 1198"><b>Liquid:</b></p> <p data-bbox="225 1200 659 1229">Pumped liquid:                         Water</p> <p data-bbox="225 1232 715 1261">Liquid temperature range:         -4 .. 248 °F</p> <p data-bbox="225 1263 708 1292">Liquid temperature during operation: 68 °F</p> <p data-bbox="225 1294 708 1323">Density:                                 62.29 lb/ft³</p> <p data-bbox="225 1355 352 1384"><b>Technical:</b></p> <p data-bbox="225 1386 695 1415">Rated pump speed:                     3450 rpm</p> <p data-bbox="225 1417 735 1447">Rated flow:                             53.3 US gpm</p> <p data-bbox="225 1449 676 1478">Rated head:                             70.87 ft</p> <p data-bbox="225 1480 676 1509">Pump orientation:                     Vertical</p> <p data-bbox="225 1512 659 1541">Shaft seal arrangement:             Single</p> <p data-bbox="225 1543 663 1572">Code for shaft seal:                 HQQE</p> <p data-bbox="225 1574 679 1603">Approvals on nameplate:           CURUS</p> <p data-bbox="225 1606 788 1635">Curve tolerance:                     ISO9906:2012 3B</p> <p data-bbox="225 1666 344 1695"><b>Materials:</b></p> <p data-bbox="225 1697 831 1785">Base:                                     Cast iron<br/>EN 1561 EN-GJL-200<br/>ASTM A48-25B</p> <p data-bbox="225 1787 751 1874">Impeller:                               Stainless steel<br/>EN 1.4301<br/>AISI 304</p> <p data-bbox="225 1877 632 1906">Bearing:                                 SIC</p> <p data-bbox="225 1937 368 1966"><b>Installation:</b></p> <p data-bbox="225 1968 663 1998">Maximum ambient temperature: 104 °F</p> <p data-bbox="225 2000 671 2029">Maximum operating pressure: 232 psi</p> <p data-bbox="225 2031 828 2119">Max pressure at stated temperature: 232 psi / 250 °F<br/>232 psi / -4 °F</p> <p data-bbox="225 2076 703 2105">Type of connection:                 ANSI / JIS</p> |



Company name:

Created by:

Phone:

Date:

3/14/2019

| Count | Description                                |
|-------|--|
|       | Size of inlet connection: DN 50            |
|       | Size of suction port: 2 inch               |
|       | Size of outlet connection: DN 50           |
|       | Size of outlet port: 2 inch                |
|       | Pressure rating for pipe connection: PN 25 |
|       | Flange rating inlet: 300 lb                |
|       | Flange size for motor: 56C                 |
|       | <b>Electrical data:</b>                    |
|       | Motor standard: NEMA                       |
|       | Motor type: Baldor                         |
|       | Rated power - P2: 1.5 HP                   |
|       | Power (P2) required by pump: 1.5 HP        |
|       | Main frequency: 60 Hz                      |
|       | Rated voltage: 1 x 115/208-230 V           |
|       | Service factor: 1.30                       |
|       | Rated current: 17/9,50-8,60 A              |
|       | Rated speed: 3450 rpm                      |
|       | Number of poles: 2                         |
|       | Insulation class (IEC 85): B               |
|       | <b>Others:</b>                             |
|       | Net weight: 115 lb                         |
|       | Gross weight: 130 lb                       |
|       | Shipping volume: 6.11 ft <sup>3</sup>      |
|       | Country of origin: US                      |
|       | Custom tariff no.: 8413.70.2040            |



Company name:

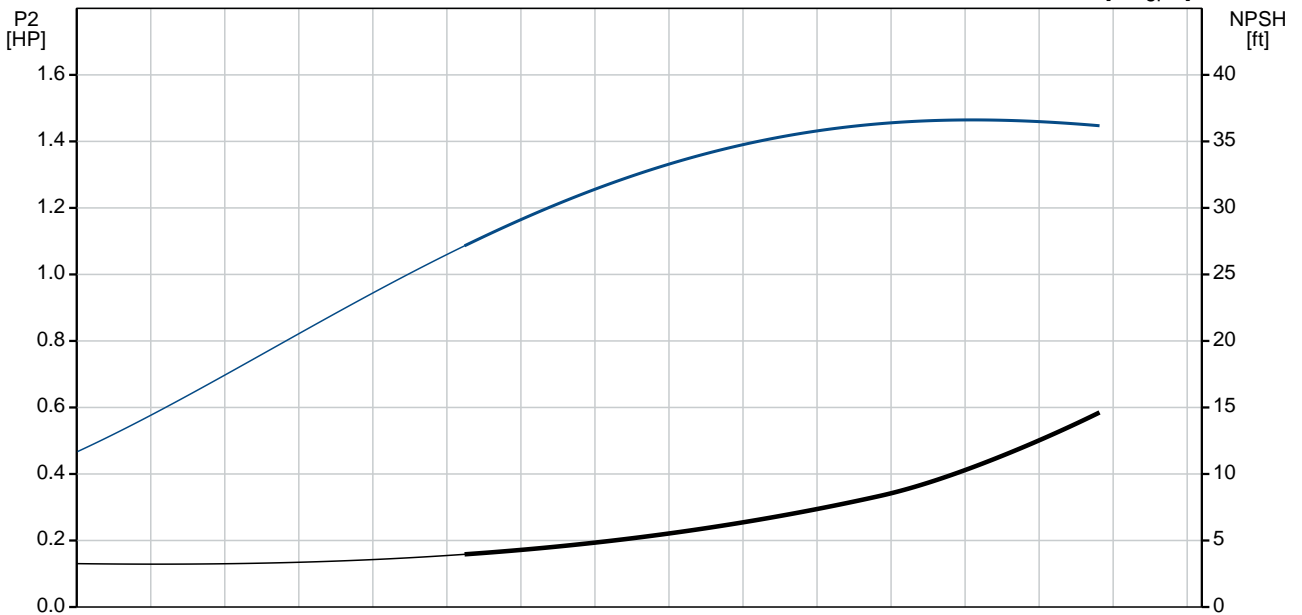
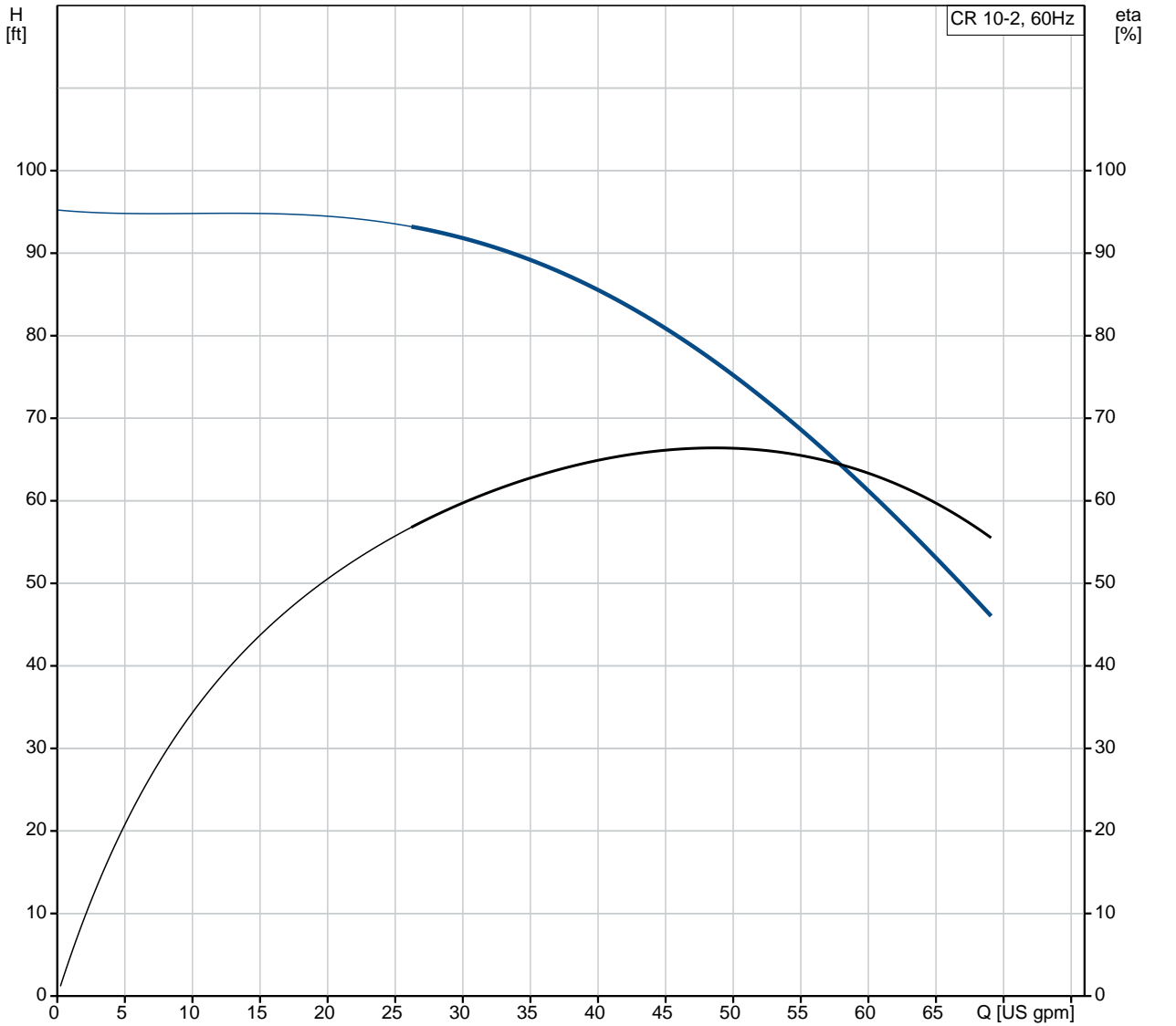
Created by:

Phone:

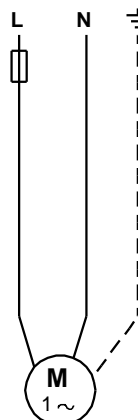
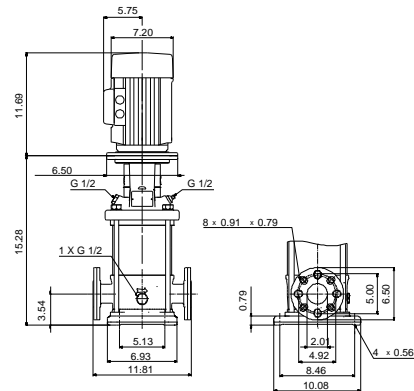
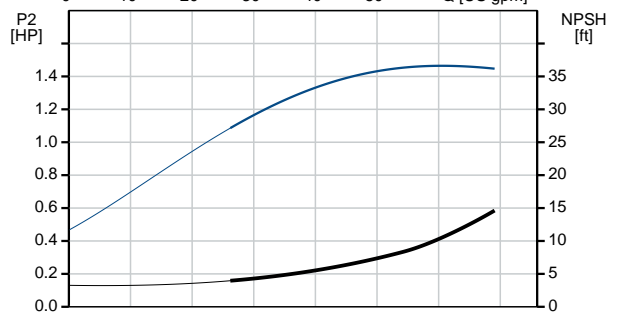
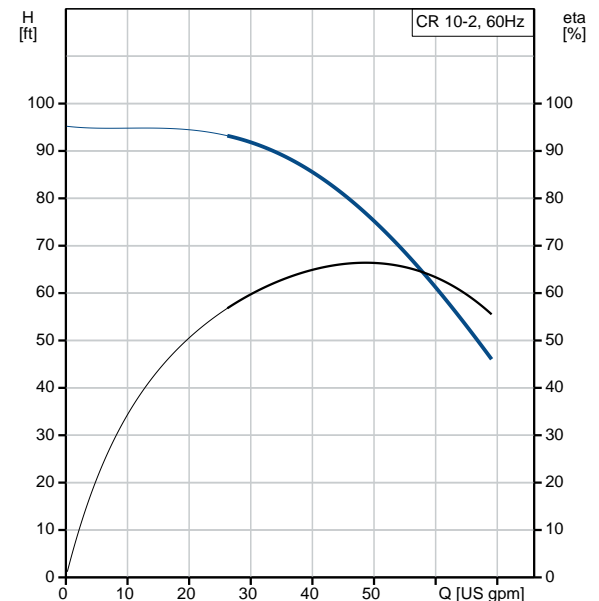
Date:

3/14/2019

### 96522827 CR 10-2 A-GJ-A-E-HQQE 60 Hz



| Description                           | Value                    |
|---------------------------------------|--------------------------|
| <b>General information:</b>           |                          |
| Product name:                         | CR 10-2 A-GJ-A-E-HQQE    |
| Product No.:                          | 96522827                 |
| EAN:                                  | 5700396894607            |
| <b>Technical:</b>                     |                          |
| Rated pump speed:                     | 3450 rpm                 |
| Rated flow:                           | 53.3 US gpm              |
| Rated head:                           | 70.87 ft                 |
| Head max:                             | 95.15 ft                 |
| Stages:                               | 2                        |
| Impellers:                            | 2                        |
| Number of reduced-diameter impellers: | 0                        |
| Low NPSH:                             | N                        |
| Pump orientation:                     | Vertical                 |
| Shaft seal arrangement:               | Single                   |
| Code for shaft seal:                  | HQQE                     |
| Approvals on nameplate:               | CURUS                    |
| Curve tolerance:                      | ISO9906:2012 3B          |
| Pump version:                         | A                        |
| Model:                                | A                        |
| Cooling:                              | TEFC                     |
| <b>Materials:</b>                     |                          |
| Base:                                 | Cast iron                |
|                                       | EN 1561 EN-GJL-200       |
|                                       | ASTM A48-25B             |
| Impeller:                             | Stainless steel          |
|                                       | EN 1.4301                |
|                                       | AISI 304                 |
| Material code:                        | A                        |
| Code for rubber:                      | E                        |
| Bearing:                              | SIC                      |
| <b>Installation:</b>                  |                          |
| Maximum ambient temperature:          | 104 °F                   |
| Maximum operating pressure:           | 232 psi                  |
| Max pressure at stated temperature:   | 232 psi / 250 °F         |
|                                       | 232 psi / -4 °F          |
| Type of connection:                   | ANSI / JIS               |
| Size of inlet connection:             | DN 50                    |
| Size of suction port:                 | 2 inch                   |
| Size of outlet connection:            | DN 50                    |
| Size of outlet port:                  | 2 inch                   |
| Pressure rating for pipe connection:  | PN 25                    |
| Flange rating inlet:                  | 300 lb                   |
| Flange size for motor:                | 56C                      |
| Connect code:                         | GJ                       |
| <b>Liquid:</b>                        |                          |
| Pumped liquid:                        | Water                    |
| Liquid temperature range:             | -4 .. 248 °F             |
| Liquid temperature during operation:  | 68 °F                    |
| Density:                              | 62.29 lb/ft <sup>3</sup> |
| <b>Electrical data:</b>               |                          |
| Motor standard:                       | NEMA                     |
| Motor type:                           | Baldor                   |
| Rated power - P2:                     | 1.5 HP                   |
| Power (P2) required by pump:          | 1.5 HP                   |
| Main frequency:                       | 60 Hz                    |
| Rated voltage:                        | 1 x 115/208-230 V        |





Company name:

Created by:

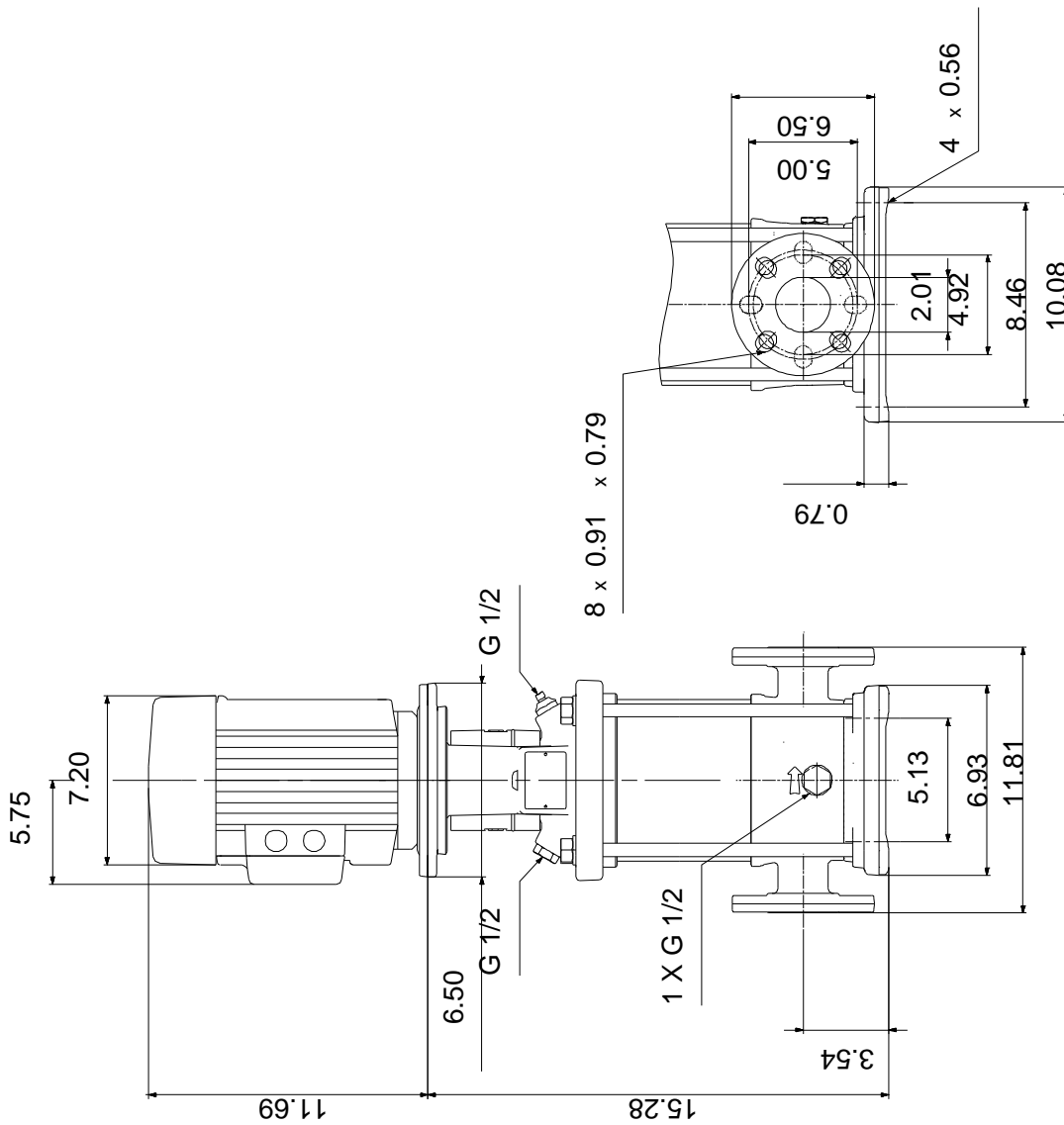
Phone:

Date:

3/14/2019

| Description                | Value                |
|----------------------------|----------------------|
| Service factor:            | 1.30                 |
| Rated current:             | 17/9,50-8,60 A       |
| Load current:              | 20,4/11,3-10,2 A     |
| Rated speed:               | 3450 rpm             |
| Number of poles:           | 2                    |
| Insulation class (IEC 85): | B                    |
| Motor protection:          | NONE                 |
| Motor Number:              | 84Z04007             |
| <b>Controls:</b>           |                      |
| Frequency converter:       | NONE                 |
| <b>Others:</b>             |                      |
| Net weight:                | 115 lb               |
| Gross weight:              | 130 lb               |
| Shipping volume:           | 6.11 ft <sup>3</sup> |
| Country of origin:         | US                   |
| Custom tariff no.:         | 8413.70.2040         |

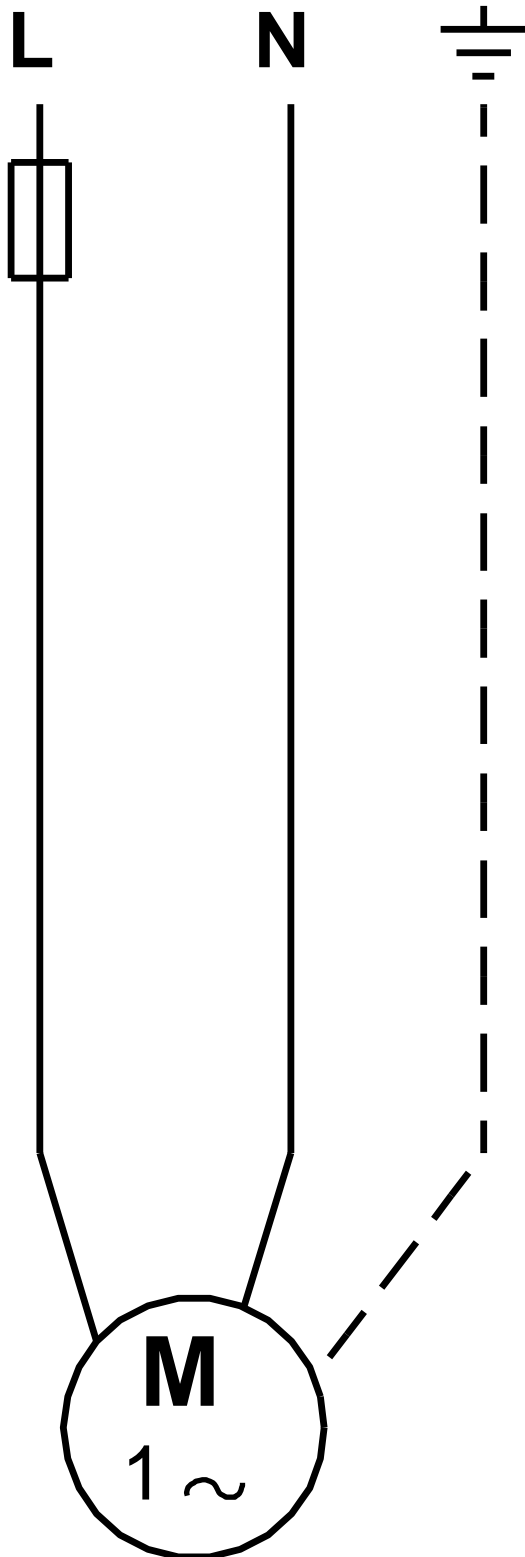
## 96522827 CR 10-2 A-GJ-A-E-HQQE 60 Hz



Note! All units are in [mm] unless otherwise stated.  
Disclaimer: This simplified dimensional drawing does not show all details.



96522827 CR 10-2 A-GJ-A-E-HQQE 60 Hz



All units are [mm] unless otherwise presented.