

PROJECT: _____	UNIT TAG: _____	QUANTITY: _____
REPRESENTATIVE: _____	TYPE OF SERVICE: _____	DATE: _____
ENGINEER: _____	SUBMITTED BY: _____	DATE: _____
CONTRACTOR: _____	APPROVED BY: _____	DATE: _____
	ORDER NO.: _____	DATE: _____

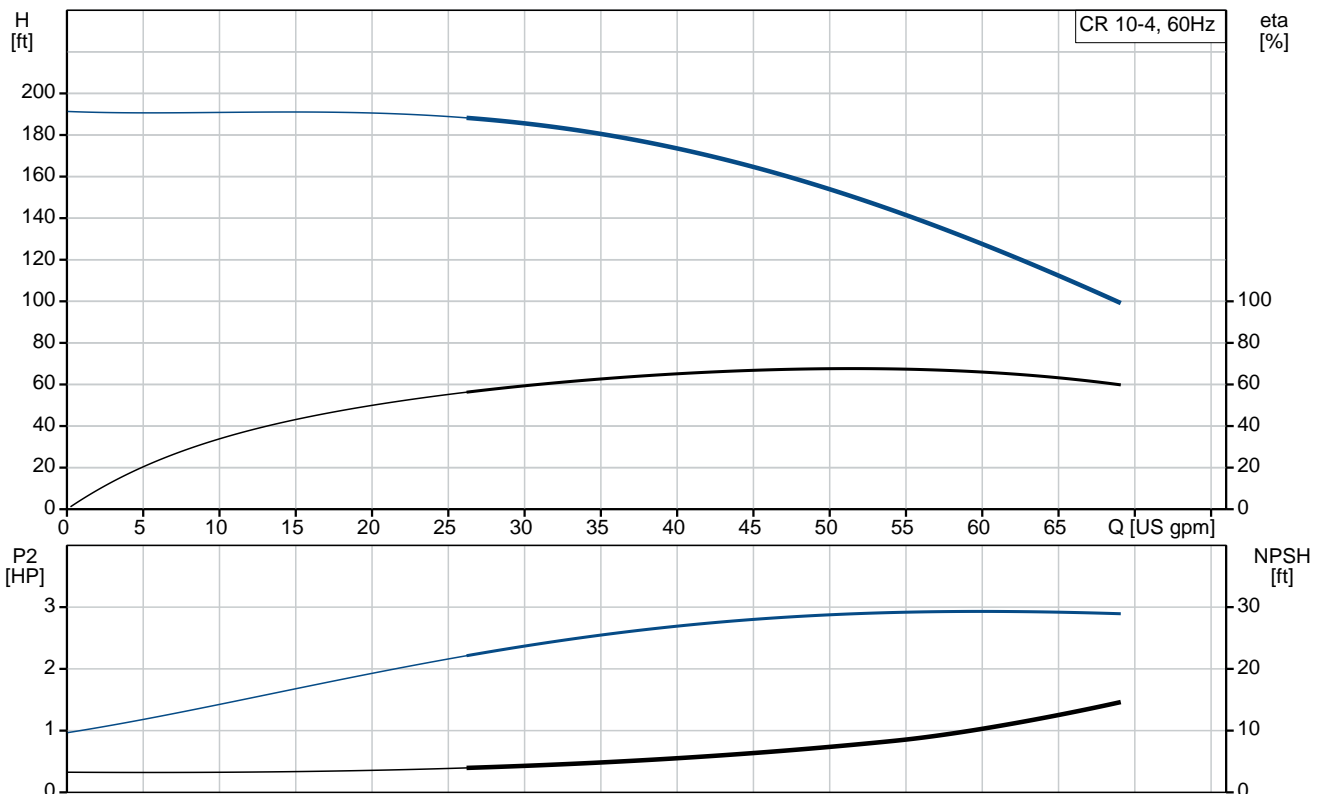


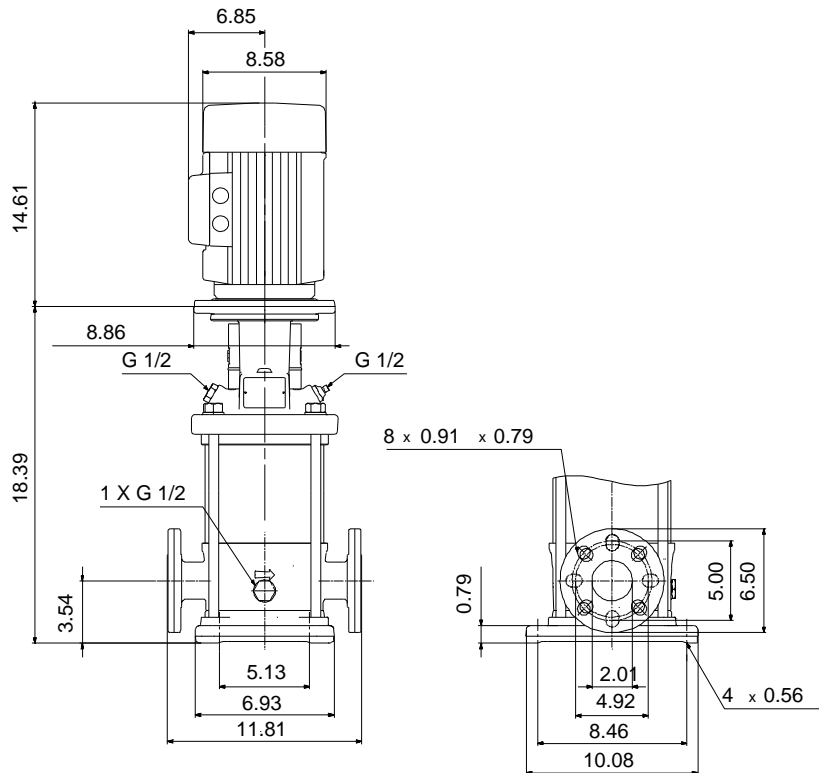
Product photo could vary from the actual product

CR 10-4 A-GJ-A-E-HQQE

Vertical, multistage centrifugal pump with suction and discharge ports on the same level. The pump head and base are in cast iron. All other wetted parts are in stainless steel (EN 1.4301)(AISI 304)

Conditions of Service	Pump Data	Motor Data
Flow: _____	Max pressure at stated temperature: 232 psi / 250 °F	Rated power - P2: 3 HP
Head: _____	Liquid temperature range: -4 .. 248 °F	Rated voltage: 115/208-230 V
Efficiency: _____	Maximum ambient temperature: 104 °F	Main frequency: 60 Hz
Liquid: Water	Approvals: CURUS	Insulation class: F
Temperature: 68 °F	Shaft seal: HQQE	Motor protection: NONE
NPSH required: ft	Product number: 96522829	Motor type: Baldor
Viscosity: _____		
Specific Gravity: 1.000		






Materials:

Base: Cast iron
 EN 1561 EN-GJL-200
 ASTM A48-25B

Impeller: Stainless steel
 AISI 304
 EN 1.4301

Material code: A
 Code for rubber: E

Count	Description
1	<p data-bbox="225 338 518 367">CR 10-4 A-GJ-A-E-HQQE</p> <div data-bbox="368 383 456 629" style="text-align: center;">  </div> <p data-bbox="225 663 491 689">Product No.: 96522829</p> <p data-bbox="225 692 748 779">Vertical, non-self-priming, multistage, in-line, centrifugal pump for installation in pipe systems and mounting on a foundation.</p> <p data-bbox="225 810 703 837">The pump has the following characteristics:</p> <ul data-bbox="264 840 850 958" style="list-style-type: none"> - Impellers and intermediate chambers are made of - The shaft seal has assembly length according to EN 12756. - Power transmission is via cast iron split coupling. <p data-bbox="225 1016 600 1043">The motor is a 1-phase AC motor.</p> <p data-bbox="225 1077 328 1104">Controls:</p> <p data-bbox="225 1106 662 1133">Frequency converter: NONE</p> <p data-bbox="225 1167 312 1193">Liquid:</p> <p data-bbox="225 1196 659 1223">Pumped liquid: Water</p> <p data-bbox="225 1225 715 1252">Liquid temperature range: -4 .. 248 °F</p> <p data-bbox="225 1254 707 1281">Liquid temperature during operation: 68 °F</p> <p data-bbox="225 1283 708 1310">Density: 62.29 lb/ft³</p> <p data-bbox="225 1344 352 1370">Technical:</p> <p data-bbox="225 1373 695 1400">Rated pump speed: 3457 rpm</p> <p data-bbox="225 1402 735 1429">Rated flow: 53.3 US gpm</p> <p data-bbox="225 1431 655 1458">Rated head: 146 ft</p> <p data-bbox="225 1460 675 1487">Pump orientation: Vertical</p> <p data-bbox="225 1489 660 1516">Shaft seal arrangement: Single</p> <p data-bbox="225 1518 663 1545">Code for shaft seal: HQQE</p> <p data-bbox="225 1547 679 1574">Approvals on nameplate: CURUS</p> <p data-bbox="225 1576 788 1603">Curve tolerance: ISO9906:2012 3B</p> <p data-bbox="225 1637 344 1664">Materials:</p> <p data-bbox="225 1666 831 1753">Base: Cast iron EN 1561 EN-GJL-200 ASTM A48-25B</p> <p data-bbox="225 1756 751 1843">Impeller: Stainless steel EN 1.4301 AISI 304</p> <p data-bbox="225 1845 632 1872">Bearing: SIC</p> <p data-bbox="225 1906 368 1933">Installation:</p> <p data-bbox="225 1935 663 1962">Maximum ambient temperature: 104 °F</p> <p data-bbox="225 1964 671 1991">Maximum operating pressure: 232 psi</p> <p data-bbox="225 1993 828 2054">Max pressure at stated temperature: 232 psi / 250 °F 232 psi / -4 °F</p> <p data-bbox="225 2056 707 2083">Type of connection: ANSI / JIS</p>



Company name:

Created by:

Phone:

Date:

3/15/2019

Count	Description
	Size of inlet connection: DN 50
	Size of suction port: 2 inch
	Size of outlet connection: DN 50
	Size of outlet port: 2 inch
	Pressure rating for pipe connection: PN 25
	Flange rating inlet: 300 lb
	Flange size for motor: 182TC
	Electrical data:
	Motor standard: NEMA
	Motor type: Baldor
	Rated power - P2: 3 HP
	Power (P2) required by pump: 3 HP
	Main frequency: 60 Hz
	Rated voltage: 1 x 115/208-230 V
	Service factor: 1.15
	Rated current: 29/16-14,5 A
	Rated speed: 3450 rpm
	Number of poles: 2
	Insulation class (IEC 85): F
	Others:
	Net weight: 161 lb
	Gross weight: 179 lb
	Shipping volume: 8.26 ft ³
	Country of origin: US
	Custom tariff no.: 8413.70.2040



Company name:

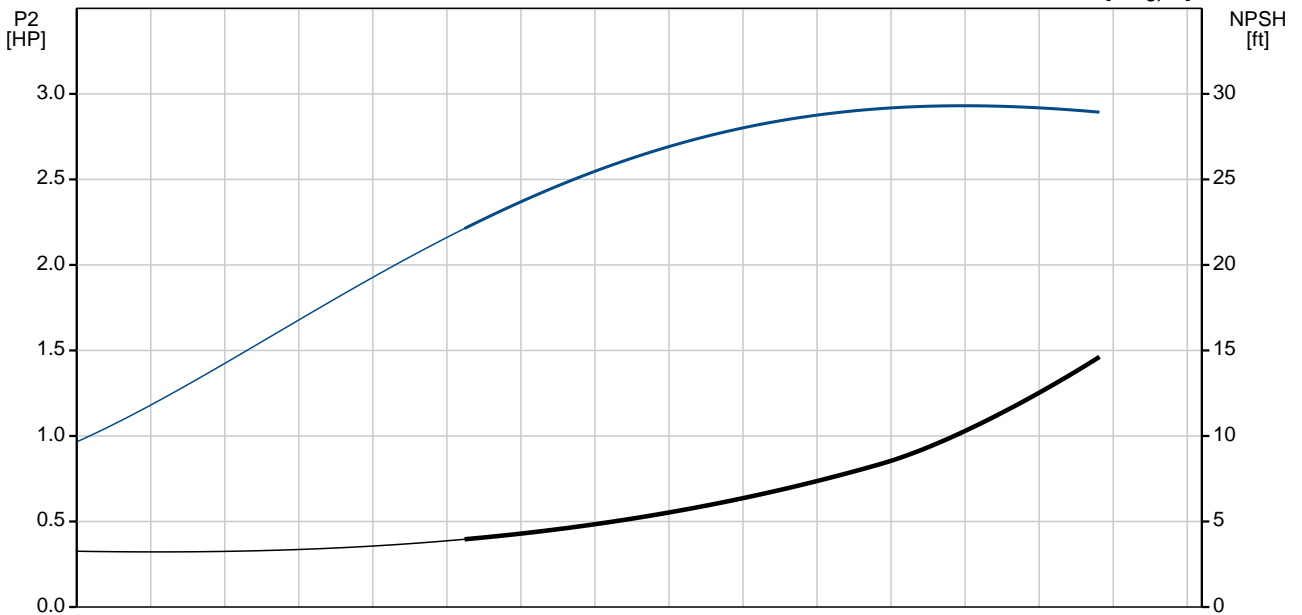
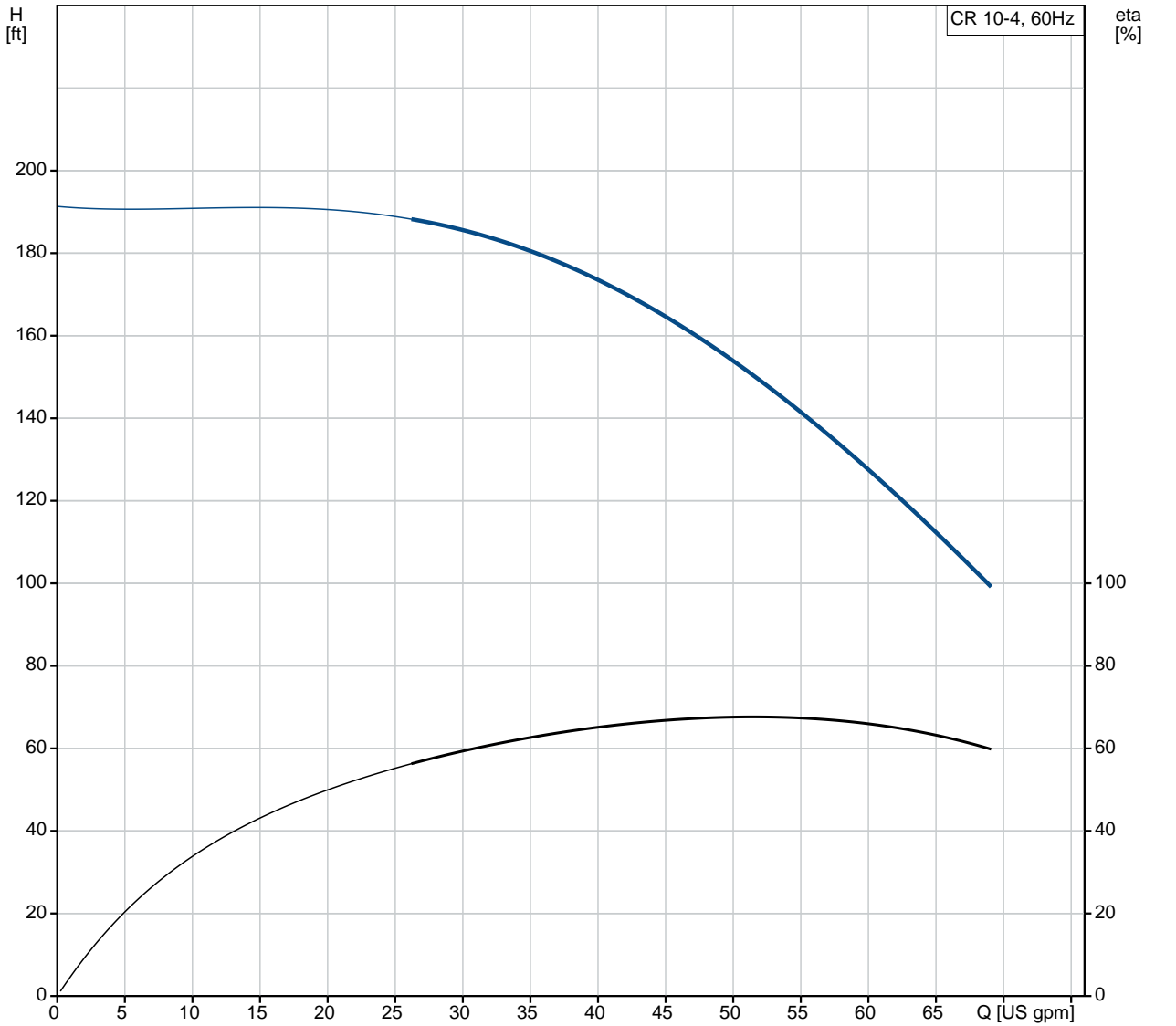
Created by:

Phone:

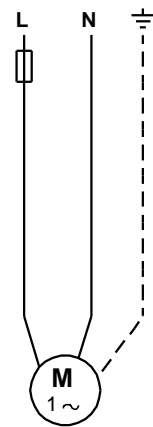
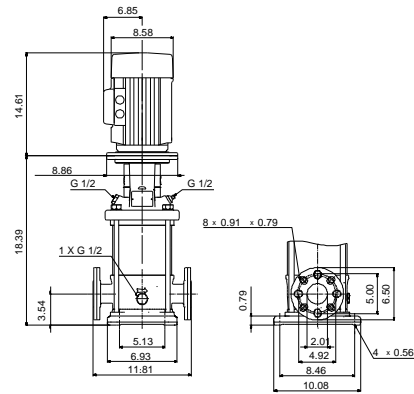
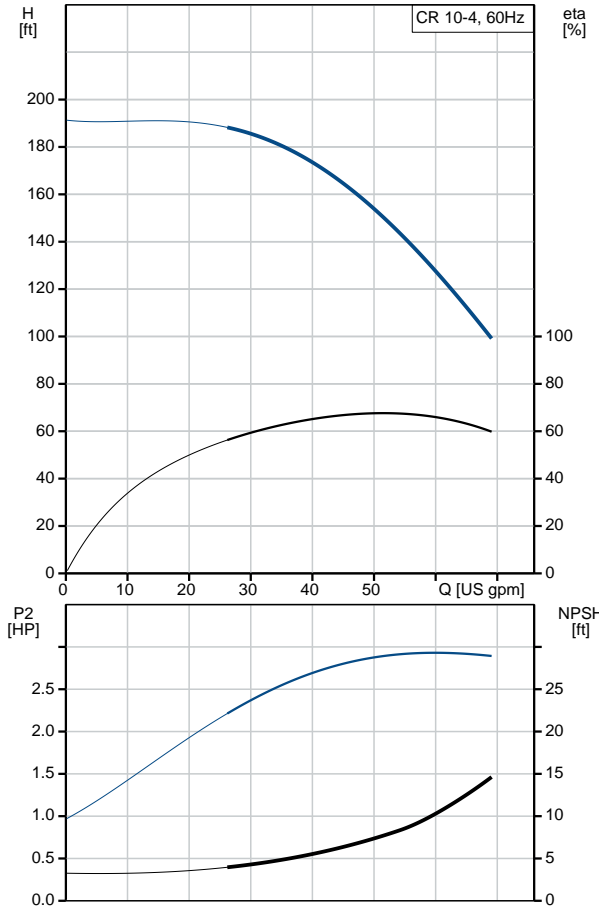
Date:

3/15/2019

96522829 CR 10-4 A-GJ-A-E-HQQE 60 Hz



Description	Value
General information:	
Product name:	CR 10-4 A-GJ-A-E-HQQE
Product No.:	96522829
EAN:	5700396894645
Technical:	
Rated pump speed:	3457 rpm
Rated flow:	53.3 US gpm
Rated head:	146 ft
Head max:	191.3 ft
Stages:	4
Impellers:	4
Number of reduced-diameter impellers:	0
Low NPSH:	N
Pump orientation:	Vertical
Shaft seal arrangement:	Single
Code for shaft seal:	HQQE
Approvals on nameplate:	CURUS
Curve tolerance:	ISO9906:2012 3B
Pump version:	A
Model:	A
Cooling:	TEFC
Materials:	
Base:	Cast iron EN 1561 EN-GJL-200
Impeller:	Stainless steel ASTM A48-25B EN 1.4301 AISI 304
Material code:	A
Code for rubber:	E
Bearing:	SIC
Installation:	
Maximum ambient temperature:	104 °F
Maximum operating pressure:	232 psi
Max pressure at stated temperature:	232 psi / 250 °F 232 psi / -4 °F
Type of connection:	ANSI / JIS
Size of inlet connection:	DN 50
Size of suction port:	2 inch
Size of outlet connection:	DN 50
Size of outlet port:	2 inch
Pressure rating for pipe connection:	PN 25
Flange rating inlet:	300 lb
Flange size for motor:	182TC
Connect code:	GJ
Liquid:	
Pumped liquid:	Water
Liquid temperature range:	-4 .. 248 °F
Liquid temperature during operation:	68 °F
Density:	62.29 lb/ft ³
Electrical data:	
Motor standard:	NEMA
Motor type:	Baldor
Rated power - P2:	3 HP
Power (P2) required by pump:	3 HP
Main frequency:	60 Hz
Rated voltage:	1 x 115/208-230 V





Company name:

Created by:

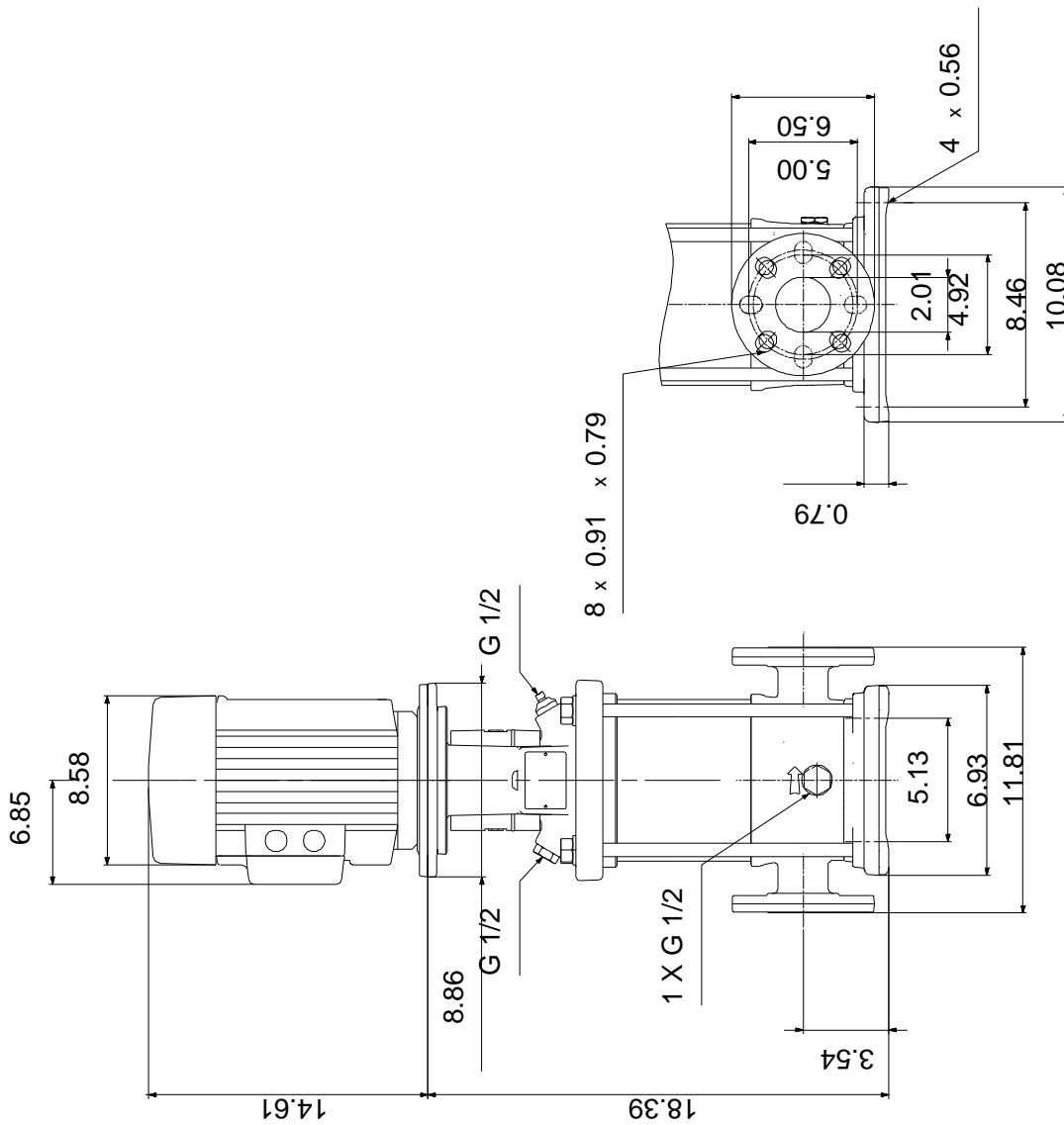
Phone:

Date:

3/15/2019

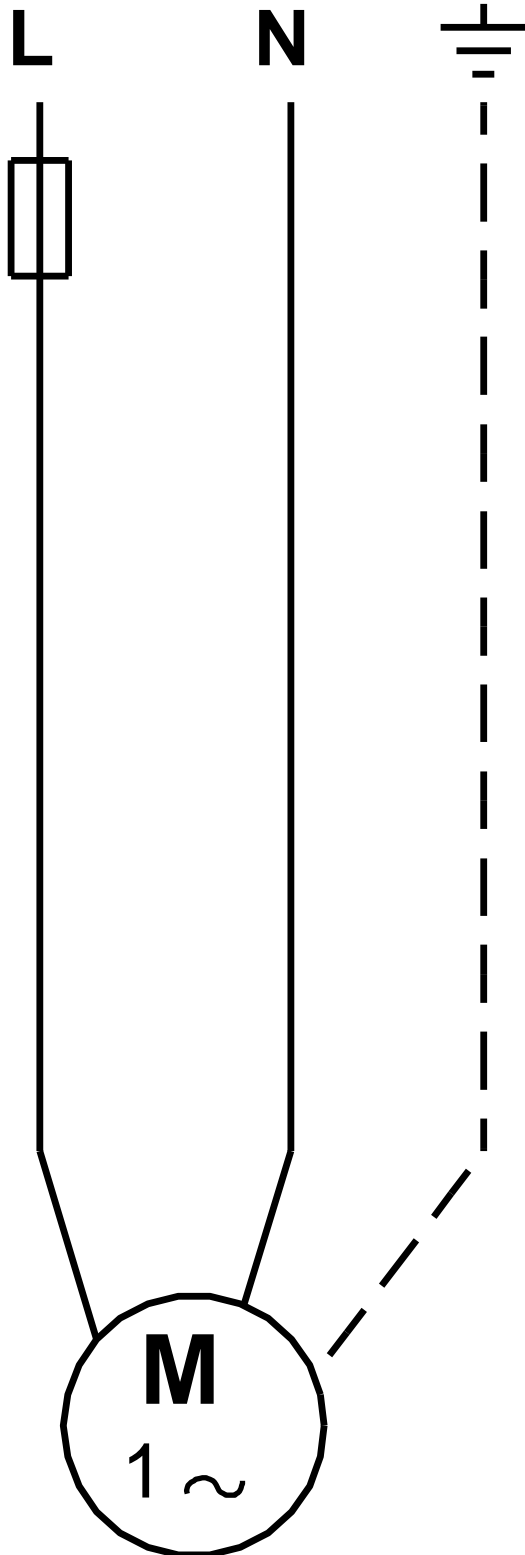
Description	Value
Service factor:	1.15
Rated current:	29/16-14,5 A
Load current:	31,8/18-16,9 A
Rated speed:	3450 rpm
Number of poles:	2
Insulation class (IEC 85):	F
Motor protection:	NONE
Motor Number:	84Z04014
Controls:	
Frequency converter:	NONE
Others:	
Net weight:	161 lb
Gross weight:	179 lb
Shipping volume:	8.26 ft ³
Country of origin:	US
Custom tariff no.:	8413.70.2040

96522829 CR 10-4 A-GJ-A-E-HQQE 60 Hz



Note! All units are in [mm] unless otherwise stated.
Disclaimer: This simplified dimensional drawing does not show all details.

96522829 CR 10-4 A-GJ-A-E-HQQE 60 Hz



All units are [mm] unless otherwise presented.