

PROJECT: _____	UNIT TAG: _____	QUANTITY: _____
REPRESENTATIVE: _____	TYPE OF SERVICE: _____	DATE: _____
ENGINEER: _____	SUBMITTED BY: _____	DATE: _____
CONTRACTOR: _____	APPROVED BY: _____	DATE: _____
	ORDER NO.: _____	DATE: _____

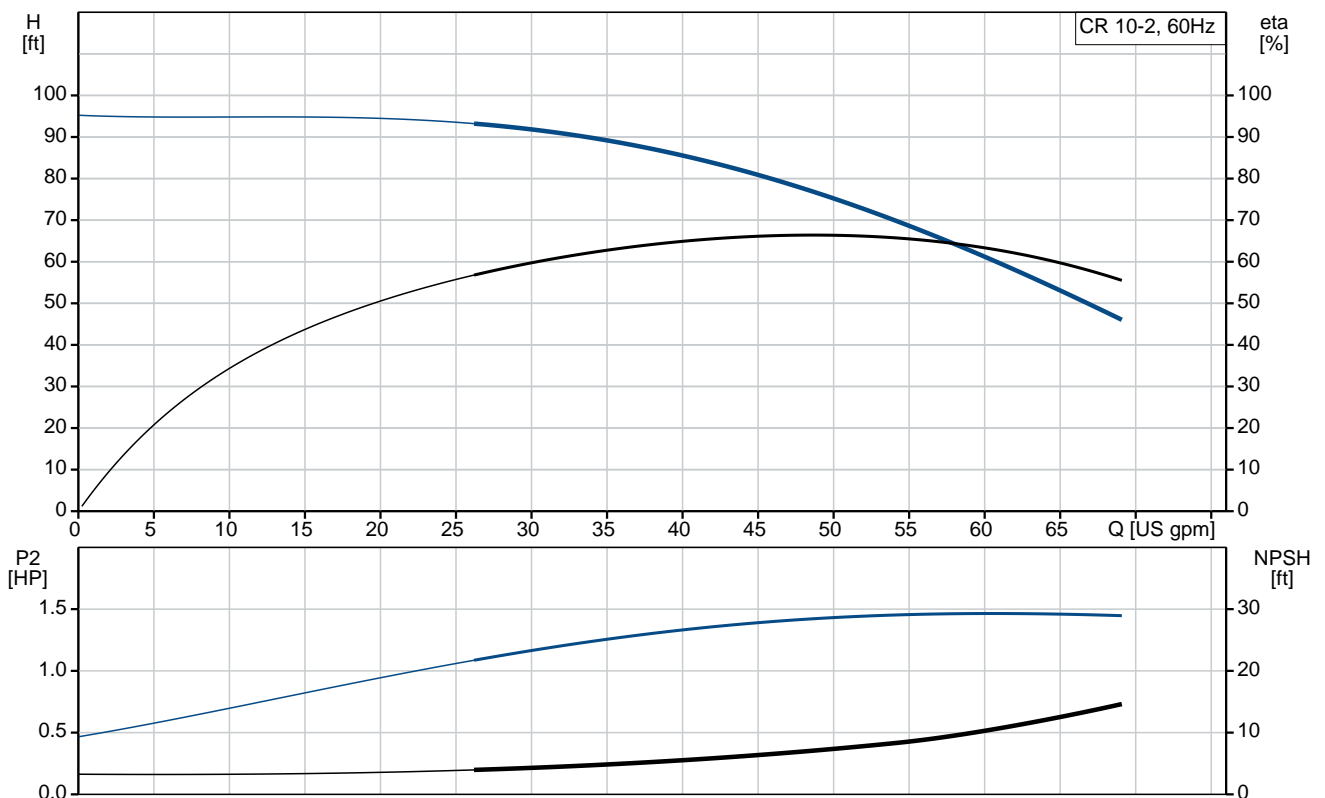


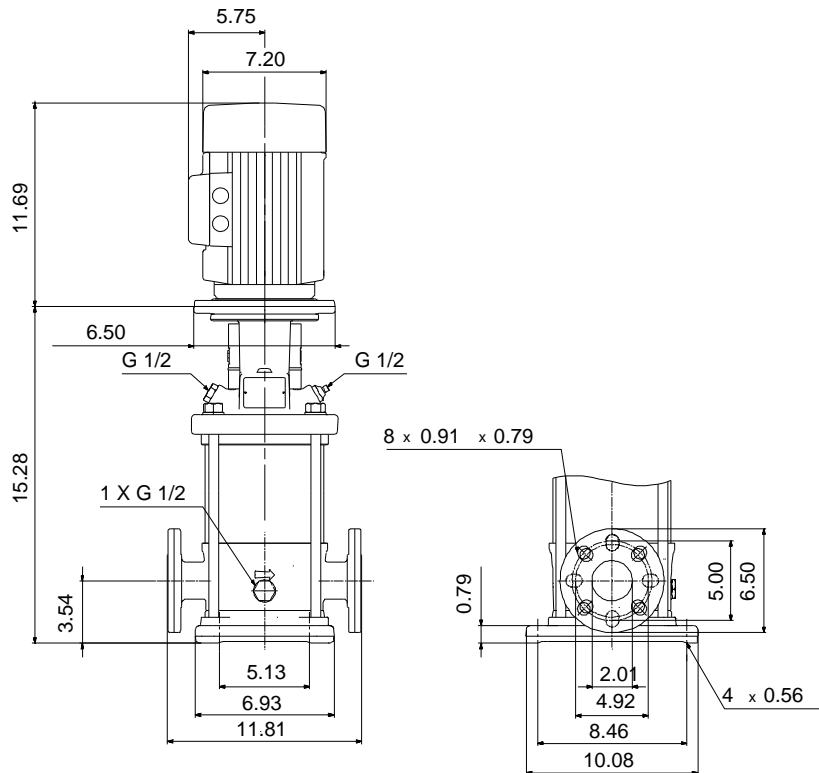
Product photo could vary from the actual product

### CR 10-2 A-GJ-A-V-HQQV

Vertical, multistage centrifugal pump with suction and discharge ports on the same level. The pump head and base are in cast iron. All other wetted parts are in stainless steel (EN 1.4301)(AISI 304)


Conditions of Service	Pump Data	Motor Data
Flow: _____	Max pressure at stated temperature: 232 psi / 194 °F	Rated power - P2: 1.5 HP
Head: _____	Liquid temperature range: -4 .. 194 °F	Rated voltage: 115/208-230 V
Efficiency: _____	Maximum ambient temperature: 104 °F	Main frequency: 60 Hz
Liquid: Water	Approvals: CURUS	Insulation class: B
Temperature: 68 °F	Shaft seal: HQQV	Motor protection: NONE
NPSH required: ft	Product number: 96522845	Motor type: Baldor
Viscosity: _____		
Specific Gravity: 1.000		





**Materials:**

Base:	Cast iron EN 1561 EN-GJL-200 ASTM A48-25B
Impeller:	Stainless steel AISI 304 EN 1.4301
Material code:	A
Code for rubber:	V

Count	Description
1	<p data-bbox="225 338 518 369"><b>CR 10-2 A-GJ-A-V-HQQV</b></p> <div data-bbox="363 387 459 629" style="text-align: center;">  </div> <p data-bbox="225 663 491 689">Product No.: <a href="#">96522845</a></p> <p data-bbox="225 692 750 779">Vertical, non-self-priming, multistage, in-line, centrifugal pump for installation in pipe systems and mounting on a foundation.</p> <p data-bbox="225 808 703 837">The pump has the following characteristics:</p> <ul data-bbox="264 840 852 958" style="list-style-type: none"> <li>- Impellers and intermediate chambers are made of</li> <li>- The shaft seal has assembly length according to EN 12756.</li> <li>- Power transmission is via cast iron split coupling.</li> </ul> <p data-bbox="225 1016 601 1046">The motor is a 1-phase AC motor.</p> <p data-bbox="225 1077 328 1106">Controls:</p> <p data-bbox="225 1108 662 1137">Frequency converter:                 NONE</p> <p data-bbox="225 1169 312 1198"><b>Liquid:</b></p> <p data-bbox="225 1200 659 1229">Pumped liquid:                         Water</p> <p data-bbox="225 1232 715 1261">Liquid temperature range:         -4 .. 194 °F</p> <p data-bbox="225 1263 708 1292">Liquid temperature during operation: 68 °F</p> <p data-bbox="225 1294 708 1323">Density:                                 62.29 lb/ft³</p> <p data-bbox="225 1355 352 1384"><b>Technical:</b></p> <p data-bbox="225 1386 697 1415">Rated pump speed:                     3450 rpm</p> <p data-bbox="225 1417 735 1447">Rated flow:                             53.3 US gpm</p> <p data-bbox="225 1449 676 1478">Rated head:                             70.87 ft</p> <p data-bbox="225 1480 676 1509">Pump orientation:                     Vertical</p> <p data-bbox="225 1512 662 1541">Shaft seal arrangement:             Single</p> <p data-bbox="225 1543 662 1572">Code for shaft seal:                 HQQV</p> <p data-bbox="225 1574 679 1603">Approvals on nameplate:           CURUS</p> <p data-bbox="225 1606 788 1635">Curve tolerance:                     ISO9906:2012 3B</p> <p data-bbox="225 1666 344 1695"><b>Materials:</b></p> <p data-bbox="225 1697 831 1760">Base:                                     Cast iron EN 1561 EN-GJL-200 ASTM A48-25B</p> <p data-bbox="225 1762 751 1825">Impeller:                               Stainless steel EN 1.4301</p> <p data-bbox="225 1827 632 1856">Bearing:                                SIC</p> <p data-bbox="225 1910 368 1939"><b>Installation:</b></p> <p data-bbox="225 1942 665 1971">Maximum ambient temperature: 104 °F</p> <p data-bbox="225 1973 671 2002">Maximum operating pressure: 232 psi</p> <p data-bbox="225 2004 828 2067">Max pressure at stated temperature: 232 psi / 194 °F 232 psi / -4 °F</p> <p data-bbox="225 2069 707 2098">Type of connection:                 ANSI / JIS</p>



Company name:

Created by:

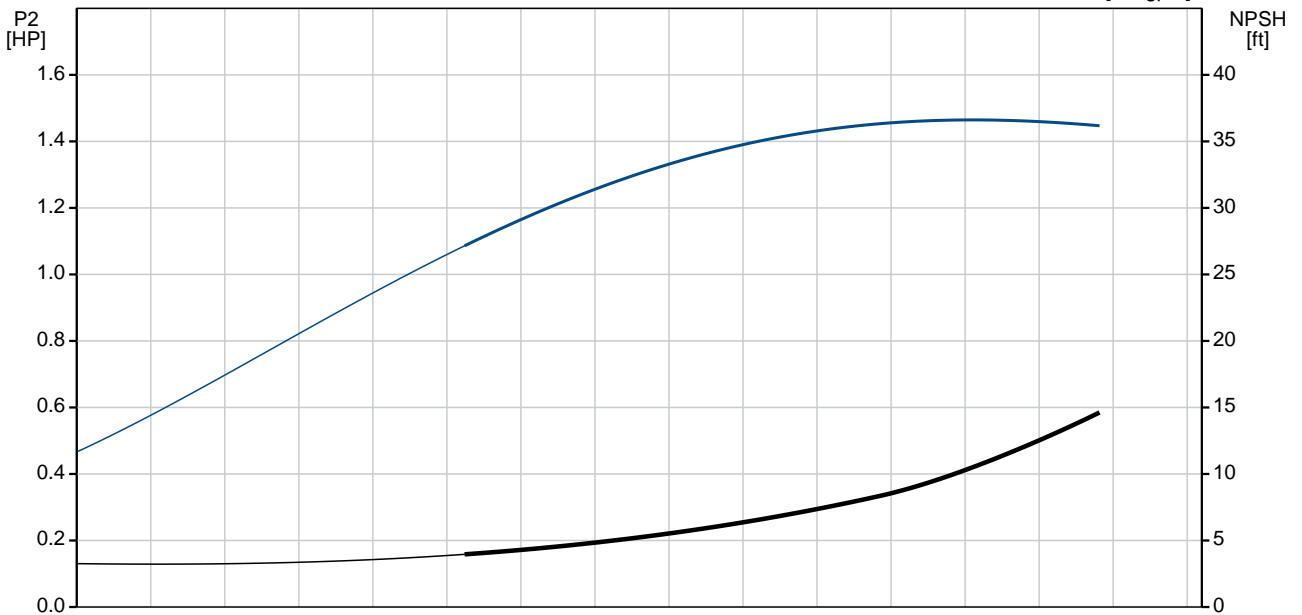
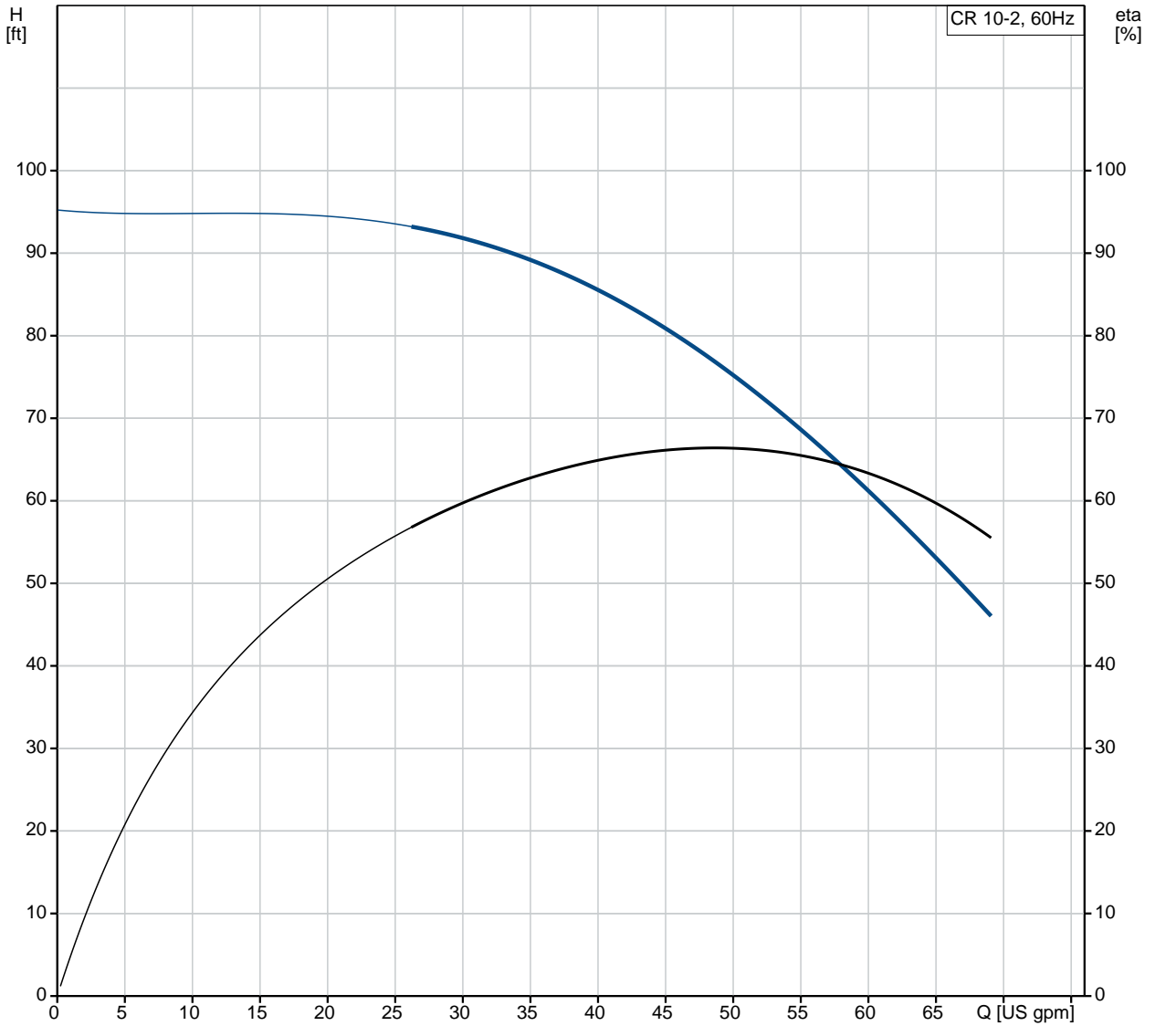
Phone:

Date:

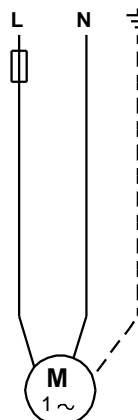
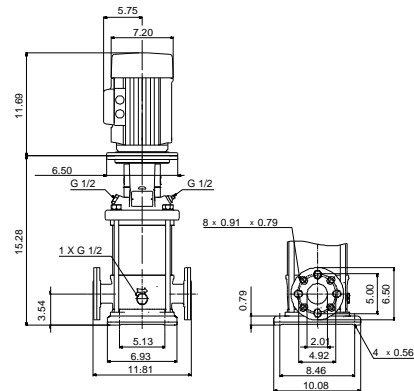
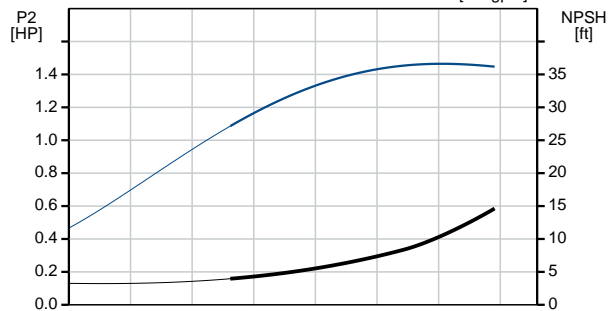
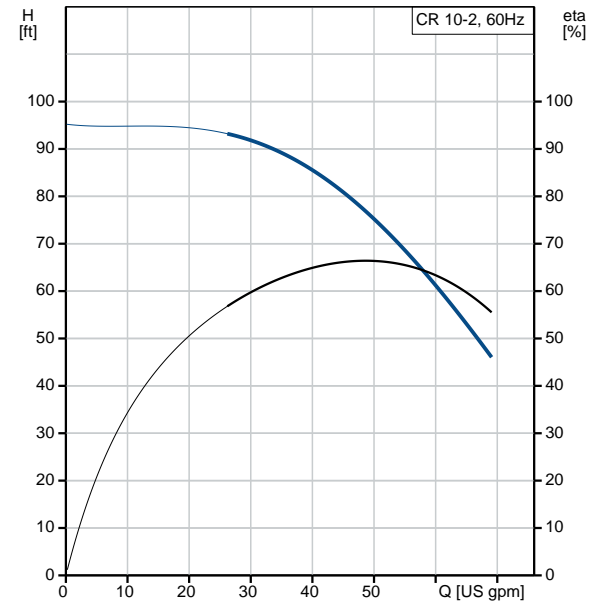
3/14/2019

Count	Description
	Size of inlet connection: DN 50
	Size of suction port: 2 inch
	Size of outlet connection: DN 50
	Size of outlet port: 2 inch
	Pressure rating for pipe connection: PN 25
	Flange rating inlet: 300 lb
	Flange size for motor: 56C
	<b>Electrical data:</b>
	Motor standard: NEMA
	Motor type: Baldor
	Rated power - P2: 1.5 HP
	Power (P2) required by pump: 1.5 HP
	Main frequency: 60 Hz
	Rated voltage: 1 x 115/208-230 V
	Service factor: 1.30
	Rated current: 17/9,50-8,60 A
	Rated speed: 3450 rpm
	Number of poles: 2
	Insulation class (IEC 85): B
	<b>Others:</b>
	Net weight: 115 lb
	Gross weight: 130 lb
	Shipping volume: 6.11 ft <sup>3</sup>
	Country of origin: US
	Custom tariff no.: 8413.70.2040

## 96522845 CR 10-2 A-GJ-A-V-HQQV 60 Hz



Description	Value
<b>General information:</b>	
Product name:	CR 10-2 A-GJ-A-V-HQQV
Product No.:	96522845
EAN:	5700396894966
<b>Technical:</b>	
Rated pump speed:	3450 rpm
Rated flow:	53.3 US gpm
Rated head:	70.87 ft
Head max:	95.15 ft
Stages:	2
Impellers:	2
Number of reduced-diameter impellers:	0
<b>Materials:</b>	
Base:	Cast iron EN 1561 EN-GJL-200 ASTM A48-25B
Impeller:	Stainless steel EN 1.4301 AISI 304
Material code:	A
Code for rubber:	V
Bearing:	SIC
<b>Installation:</b>	
Maximum ambient temperature:	104 °F
Maximum operating pressure:	232 psi
Max pressure at stated temperature:	232 psi / 194 °F 232 psi / -4 °F
Type of connection:	ANSI / JIS
Size of inlet connection:	DN 50
Size of suction port:	2 inch
Size of outlet connection:	DN 50
Size of outlet port:	2 inch
Pressure rating for pipe connection:	PN 25
Flange rating inlet:	300 lb
Flange size for motor:	56C
Connect code:	GJ
<b>Liquid:</b>	
Pumped liquid:	Water
Liquid temperature range:	-4 .. 194 °F
Liquid temperature during operation:	68 °F
Density:	62.29 lb/ft³
<b>Electrical data:</b>	
Motor standard:	NEMA
Motor type:	Baldor
Rated power - P2:	1.5 HP
Power (P2) required by pump:	1.5 HP
Main frequency:	60 Hz
Rated voltage:	1 x 115/208-230 V





Company name:

Created by:

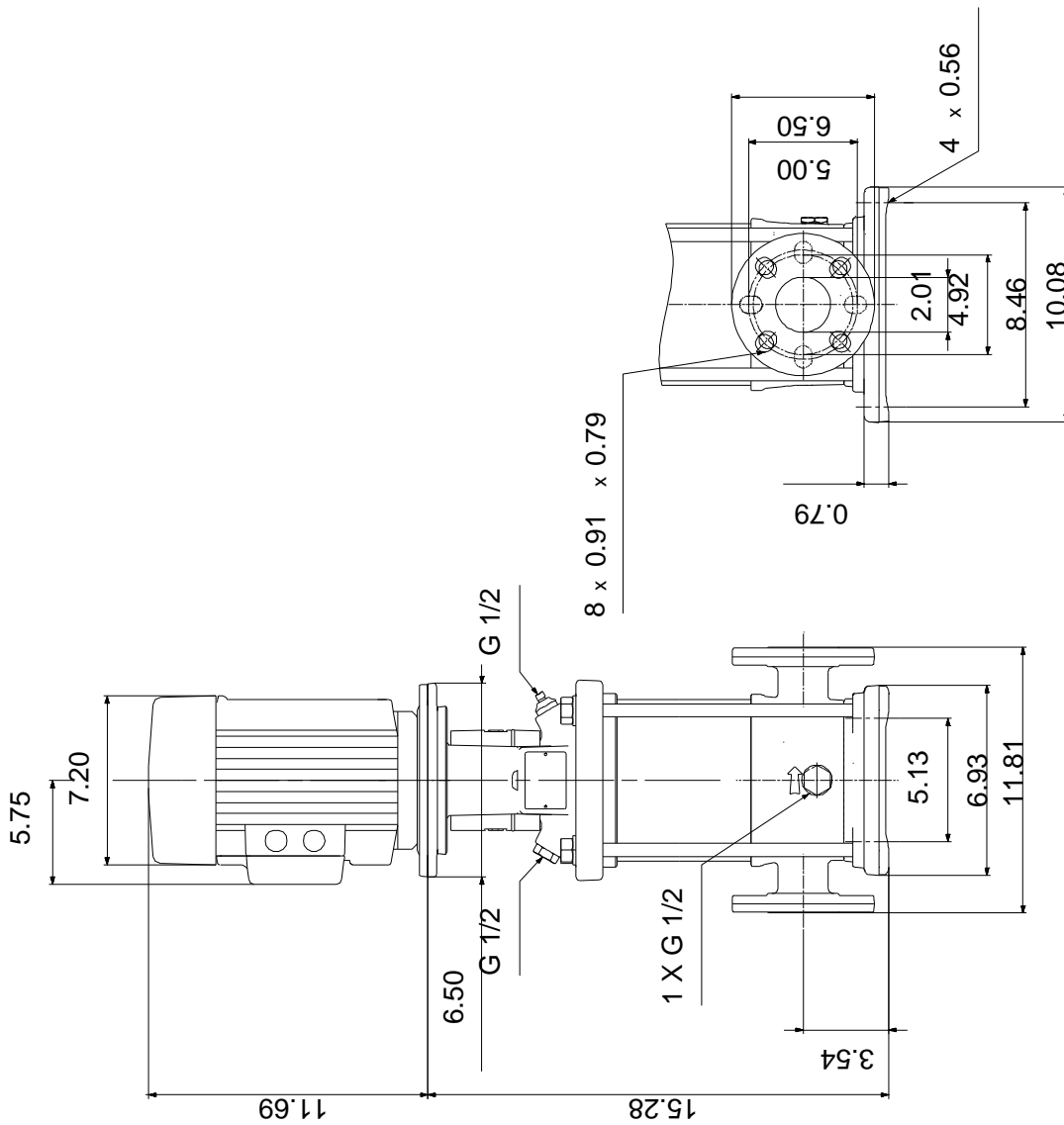
Phone:

Date:

3/14/2019

Description	Value
Service factor:	1.30
Rated current:	17/9,50-8,60 A
Load current:	20,4/11,3-10,2 A
Rated speed:	3450 rpm
Number of poles:	2
Insulation class (IEC 85):	B
Motor protection:	NONE
Motor Number:	84Z04007
<b>Controls:</b>	
Frequency converter:	NONE
<b>Others:</b>	
Net weight:	115 lb
Gross weight:	130 lb
Shipping volume:	6.11 ft <sup>3</sup>
Country of origin:	US
Custom tariff no.:	8413.70.2040

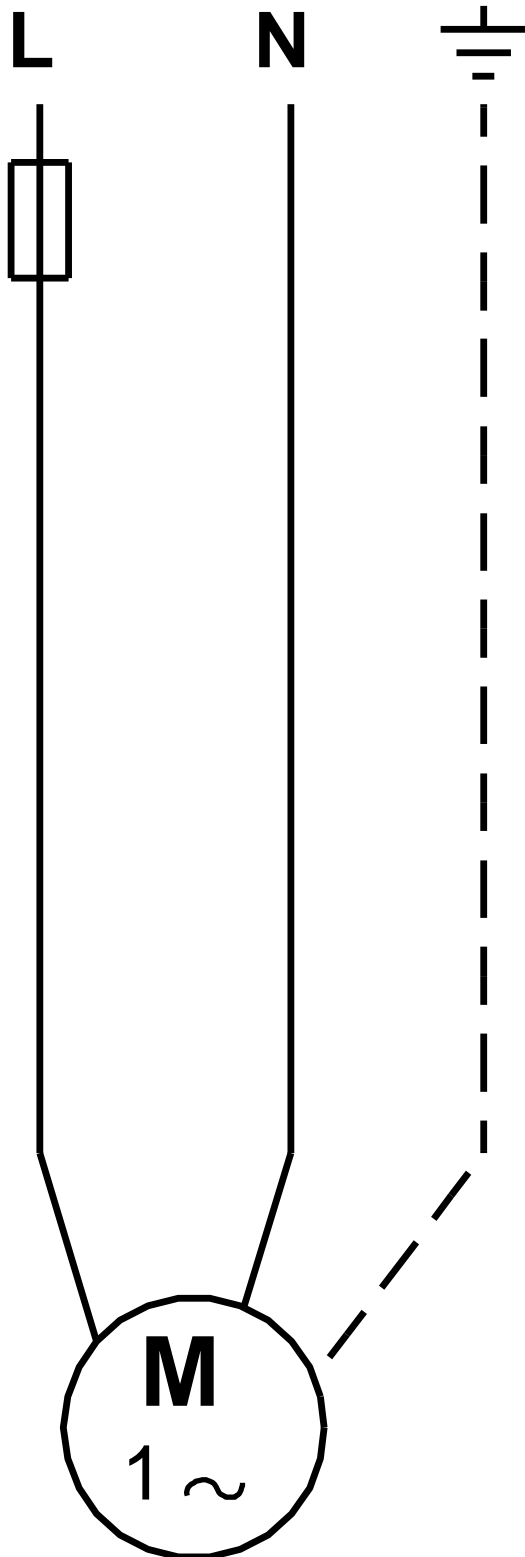
**96522845 CR 10-2 A-GJ-A-V-HQQV 60 Hz**



Note! All units are in [mm] unless otherwise stated.  
Disclaimer: This simplified dimensional drawing does not show all details.



96522845 CR 10-2 A-GJ-A-V-HQQV 60 Hz



All units are [mm] unless otherwise presented.