

PROJECT: _____	UNIT TAG: _____	QUANTITY: _____
REPRESENTATIVE: _____	TYPE OF SERVICE: _____	DATE: _____
ENGINEER: _____	SUBMITTED BY: _____	DATE: _____
CONTRACTOR: _____	APPROVED BY: _____	DATE: _____
	ORDER NO.: _____	DATE: _____

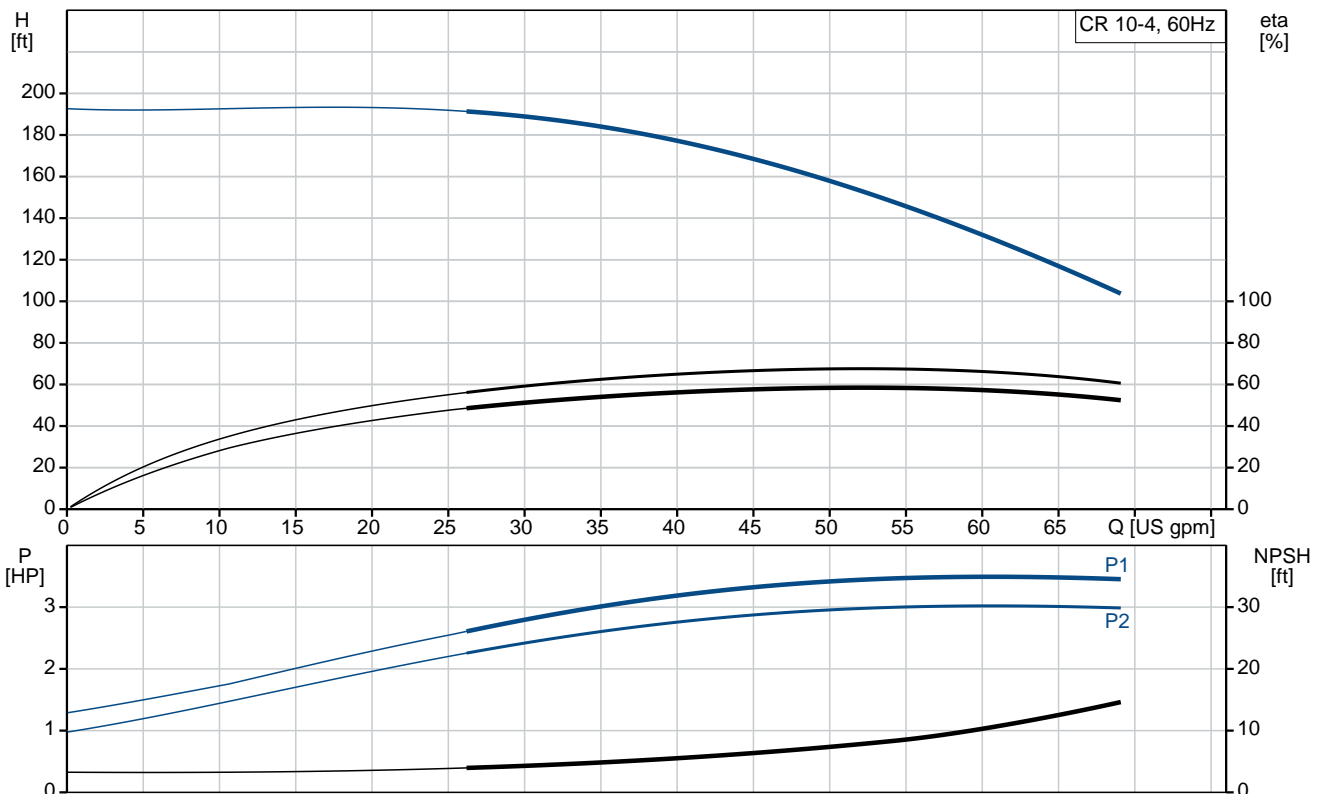


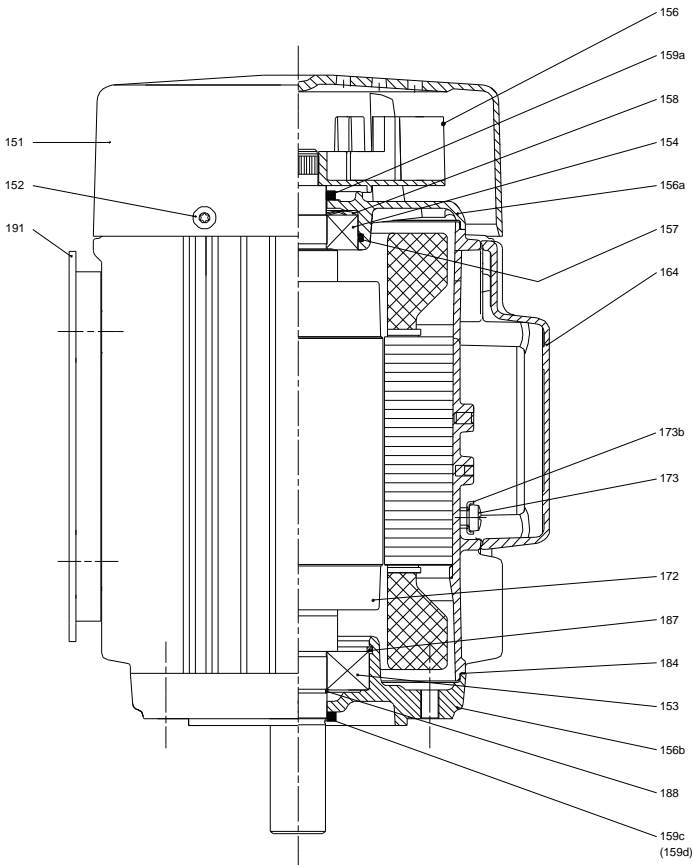
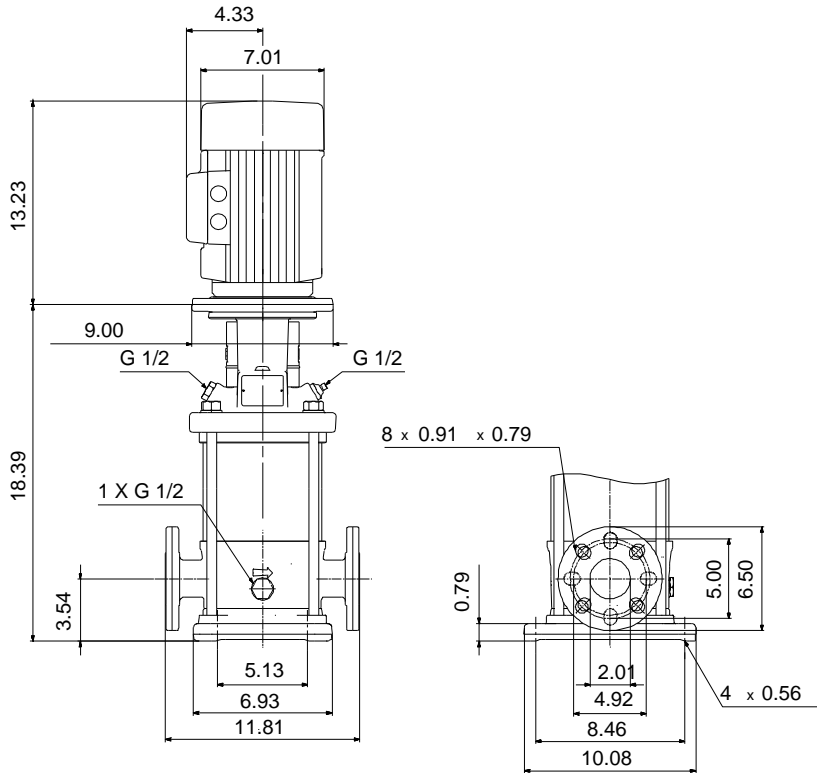
Product photo could vary from the actual product

CR 10-4 A-GJ-A-E-HQQE

Vertical, multistage centrifugal pump with suction and discharge ports on the same level. The pump head and base are in cast iron. All other wetted parts are in stainless steel (EN 1.4301)(AISI 304)


Conditions of Service	Pump Data	Motor Data
Flow: _____	Max pressure at stated temperature: 232 psi / 250 °F	Rated power - P2: 3 HP
Head: _____	Liquid temperature range: -4 .. 248 °F	Rated voltage: 208-230YY/460Y V
Efficiency: _____	Maximum ambient temperature: 140 °F	Main frequency: 60 Hz
Liquid: Water	Approvals: CURUS	Enclosure class: 55 Dust/Jetting
Temperature: 68 °F	Shaft seal: HQQE	Insulation class: F
NPSH required: ft	Product number: 96522988	Motor protection: NONE
Viscosity: _____		Motor type: 90FA
Specific Gravity: 1.000		Motor_efficiency: 86.5 %





Materials:

- Base: Cast iron
EN 1561 EN-GJL-200
ASTM A48-25B
- Impeller: Stainless steel
AISI 304
EN 1.4301
- Material code: A
- Code for rubber: E

Count	Description
1	<p data-bbox="225 338 518 367">CR 10-4 A-GJ-A-E-HQQE</p>  <p data-bbox="225 663 491 689">Product No.: 96522988</p> <p data-bbox="225 692 748 779">Vertical, non-self-priming, multistage, in-line, centrifugal pump for installation in pipe systems and mounting on a foundation.</p> <p data-bbox="225 808 703 837">The pump has the following characteristics:</p> <ul data-bbox="264 840 850 958" style="list-style-type: none"> - Impellers and intermediate chambers are made of - The shaft seal has assembly length according to EN 12756. - Power transmission is via cast iron split coupling. <p data-bbox="225 1016 600 1046">The motor is a 3-phase AC motor.</p> <p data-bbox="225 1077 328 1106">Controls:</p> <p data-bbox="225 1108 662 1137">Frequency converter: NONE</p> <p data-bbox="225 1169 312 1198">Liquid:</p> <p data-bbox="225 1200 659 1229">Pumped liquid: Water</p> <p data-bbox="225 1232 715 1261">Liquid temperature range: -4 .. 248 °F</p> <p data-bbox="225 1263 708 1292">Liquid temperature during operation: 68 °F</p> <p data-bbox="225 1294 708 1323">Density: 62.29 lb/ft³</p> <p data-bbox="225 1355 352 1384">Technical:</p> <p data-bbox="225 1386 695 1415">Rated pump speed: 3461 rpm</p> <p data-bbox="225 1417 735 1447">Rated flow: 53.3 US gpm</p> <p data-bbox="225 1449 676 1478">Rated head: 150.3 ft</p> <p data-bbox="225 1480 676 1509">Pump orientation: Vertical</p> <p data-bbox="225 1512 660 1541">Shaft seal arrangement: Single</p> <p data-bbox="225 1543 663 1572">Code for shaft seal: HQQE</p> <p data-bbox="225 1574 679 1603">Approvals on nameplate: CURUS</p> <p data-bbox="225 1606 788 1635">Curve tolerance: ISO9906:2012 3B</p> <p data-bbox="225 1666 344 1695">Materials:</p> <p data-bbox="225 1697 831 1785">Base: Cast iron EN 1561 EN-GJL-200 ASTM A48-25B</p> <p data-bbox="225 1787 751 1874">Impeller: Stainless steel EN 1.4301 AISI 304</p> <p data-bbox="225 1877 632 1906">Bearing: SIC</p> <p data-bbox="225 1937 368 1966">Installation:</p> <p data-bbox="225 1968 663 1998">Maximum ambient temperature: 140 °F</p> <p data-bbox="225 2000 671 2029">Maximum operating pressure: 232 psi</p> <p data-bbox="225 2031 828 2119">Max pressure at stated temperature: 232 psi / 250 °F 232 psi / -4 °F</p> <p data-bbox="225 2121 703 2150">Type of connection: ANSI / JIS</p>



Company name:

Created by:

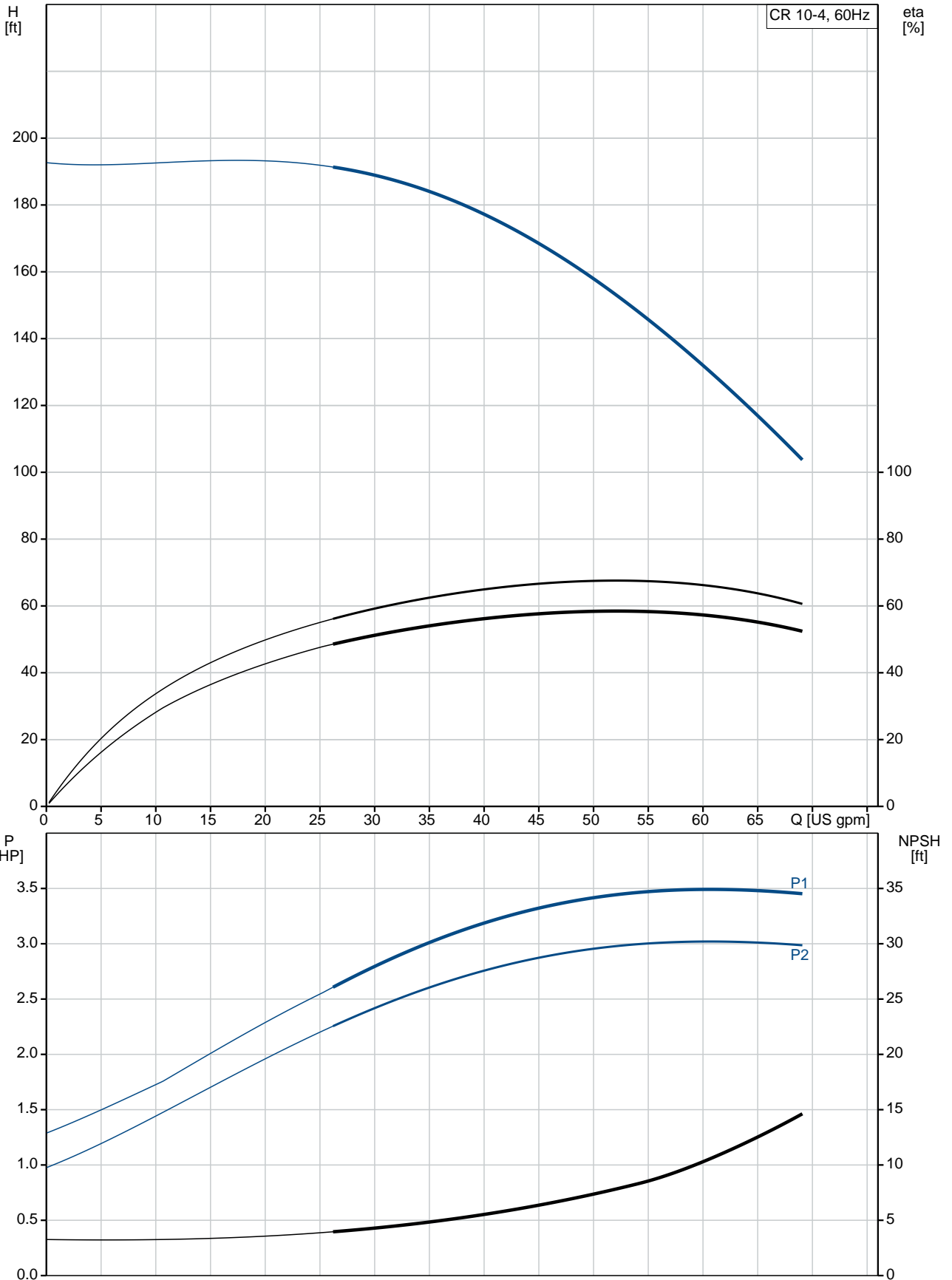
Phone:

Date:

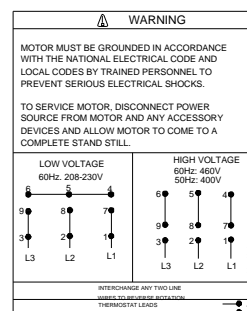
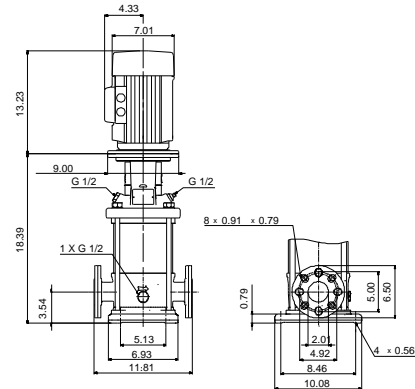
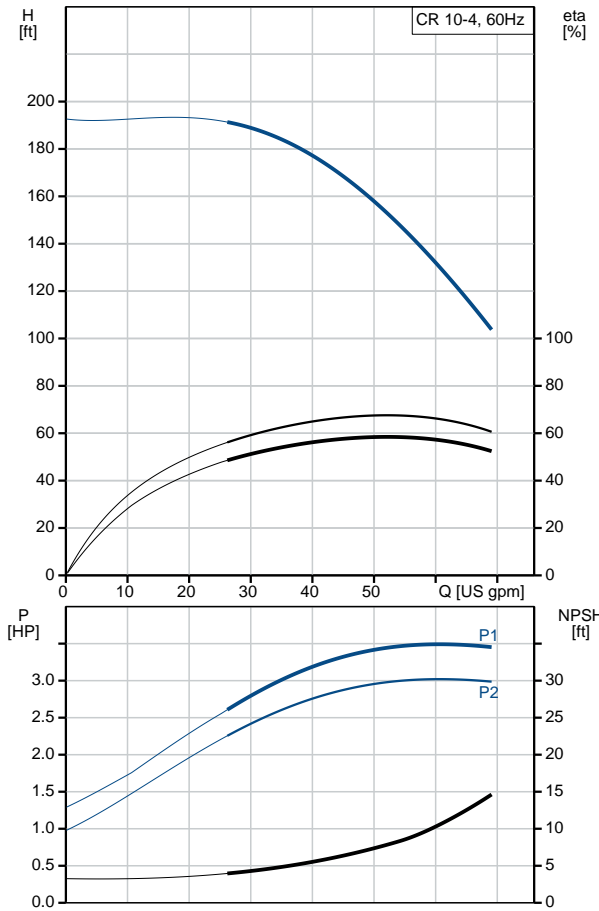
3/15/2019

Count	Description
	Size of inlet connection: DN 50
	Size of suction port: 2 inch
	Size of outlet connection: DN 50
	Size of outlet port: 2 inch
	Pressure rating for pipe connection: PN 25
	Flange rating inlet: 300 lb
	Flange size for motor: 182TC
	Electrical data:
	Motor standard: NEMA
	Motor type: 90FA
	IE Efficiency class: NEMA Premium / IE3 60Hz
	Rated power - P2: 3 HP
	Power (P2) required by pump: 3 HP
	Main frequency: 60 Hz
	Rated voltage: 3 x 208-230YY/460Y V
	Service factor: 1.15
	Rated current: 8,35-7,80/3,9 A
	Starting current: 940-1040 %
	Cos phi - power factor: 0.89-0.86
	Rated speed: 3510-3530 rpm
	IE efficiency: IE3 86,5%
	Motor efficiency at full load: 86.5 %
	Motor efficiency at 3/4 load: 86.5 %
	Motor efficiency at 1/2 load: 84.0 %
	Number of poles: 2
	Enclosure class (IEC 34-5): 55 Dust/Jetting
	Insulation class (IEC 85): F
	Others:
	Net weight: 139 lb
	Gross weight: 154 lb
	Shipping volume: 8.26 ft ³
	Country of origin: US
	Custom tariff no.: 8413.70.2040

96522988 CR 10-4 A-GJ-A-E-HQQE 60 Hz



Description	Value
General information:	
Product name:	CR 10-4 A-GJ-A-E-HQQE
Product No.:	96522988
EAN:	5700396898063
Technical:	
Rated pump speed:	3461 rpm
Rated flow:	53.3 US gpm
Rated head:	150.3 ft
Head max:	192.6 ft
Stages:	4
Impellers:	4
Number of reduced-diameter impellers:	0
Low NPSH:	N
Pump orientation:	Vertical
Shaft seal arrangement:	Single
Code for shaft seal:	HQQE
Approvals on nameplate:	CURUS
Curve tolerance:	ISO9906:2012 3B
Pump version:	A
Model:	A
Cooling:	TEFC
Materials:	
Base:	Cast iron EN 1561 EN-GJL-200 ASTM A48-25B
Impeller:	Stainless steel EN 1.4301 AISI 304
Material code:	A
Code for rubber:	E
Bearing:	SIC
Installation:	
Maximum ambient temperature:	140 °F
Maximum operating pressure:	232 psi
Max pressure at stated temperature:	232 psi / 250 °F 232 psi / -4 °F
Type of connection:	ANSI / JIS
Size of inlet connection:	DN 50
Size of suction port:	2 inch
Size of outlet connection:	DN 50
Size of outlet port:	2 inch
Pressure rating for pipe connection:	PN 25
Flange rating inlet:	300 lb
Flange size for motor:	182TC
Connect code:	GJ
Liquid:	
Pumped liquid:	Water
Liquid temperature range:	-4 .. 248 °F
Liquid temperature during operation:	68 °F
Density:	62.29 lb/ft³
Electrical data:	
Motor standard:	NEMA
Motor type:	90FA
IE Efficiency class:	NEMA Premium / IE3 60Hz
Rated power - P2:	3 HP
Power (P2) required by pump:	3 HP
Main frequency:	60 Hz





Company name:

Created by:

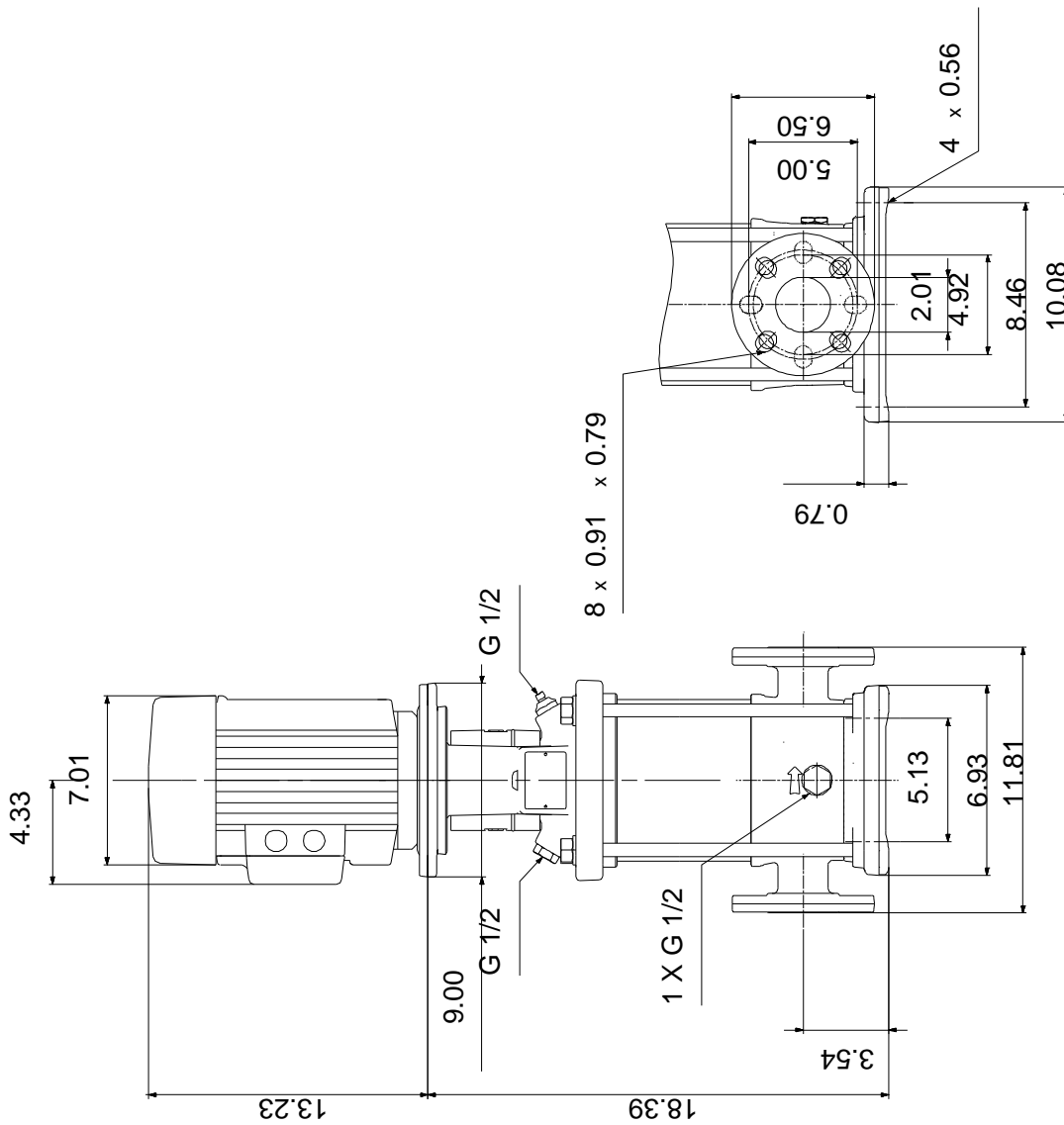
Phone:

Date:

3/15/2019


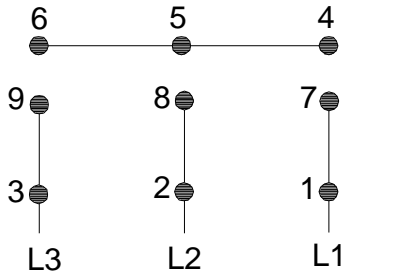
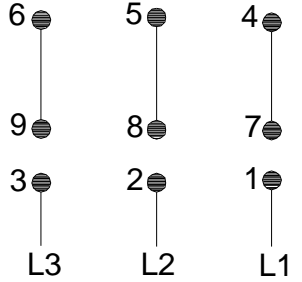


Description	Value
Rated voltage:	3 x 208-230YY/460Y V
Service factor:	1.15
Rated current:	8,35-7,80/3,9 A
Starting current:	940-1040 %
Load current:	9,5-8,95/4,5 A
Cos phi - power factor:	0.89-0.86
Rated speed:	3510-3530 rpm
IE efficiency:	IE3 86,5%
Motor efficiency at full load:	86.5 %
Motor efficiency at 3/4 load:	86.5 %
Motor efficiency at 1/2 load:	84.0 %
Number of poles:	2
Enclosure class (IEC 34-5):	55 Dust/Jetting
Insulation class (IEC 85):	F
Motor protection:	NONE
Motor Number:	85903977
Controls:	
Frequency converter:	NONE
Others:	
Net weight:	139 lb
Gross weight:	154 lb
Shipping volume:	8.26 ft ³
Country of origin:	US
Custom tariff no.:	8413.70.2040

96522988 CR 10-4 A-GJ-A-E-HQQE 60 Hz



Note! All units are in [mm] unless otherwise stated.
Disclaimer: This simplified dimensional drawing does not show all details.

96522988 CR 10-4 A-GJ-A-E-HQQE 60 Hz

 WARNING	
<p>MOTOR MUST BE GROUNDED IN ACCORDANCE WITH THE NATIONAL ELECTRICAL CODE AND LOCAL CODES BY TRAINED PERSONNEL TO PREVENT SERIOUS ELECTRICAL SHOCKS.</p> <p>TO SERVICE MOTOR, DISCONNECT POWER SOURCE FROM MOTOR AND ANY ACCESSORY DEVICES AND ALLOW MOTOR TO COME TO A COMPLETE STAND STILL.</p>	
<p style="text-align: center;">LOW VOLTAGE 60Hz. 208-230V</p> 	<p style="text-align: center;">HIGH VOLTAGE 60Hz: 460V 50Hz: 400V</p> 
<p>INTERCHANGE ANY TWO LINE WIRES TO REVERSE ROTATION</p>	
<p>THERMOSTAT LEADS (WHEN PROVIDED)</p>	
 J  J	

96553852

All units are [mm] unless otherwise presented.