
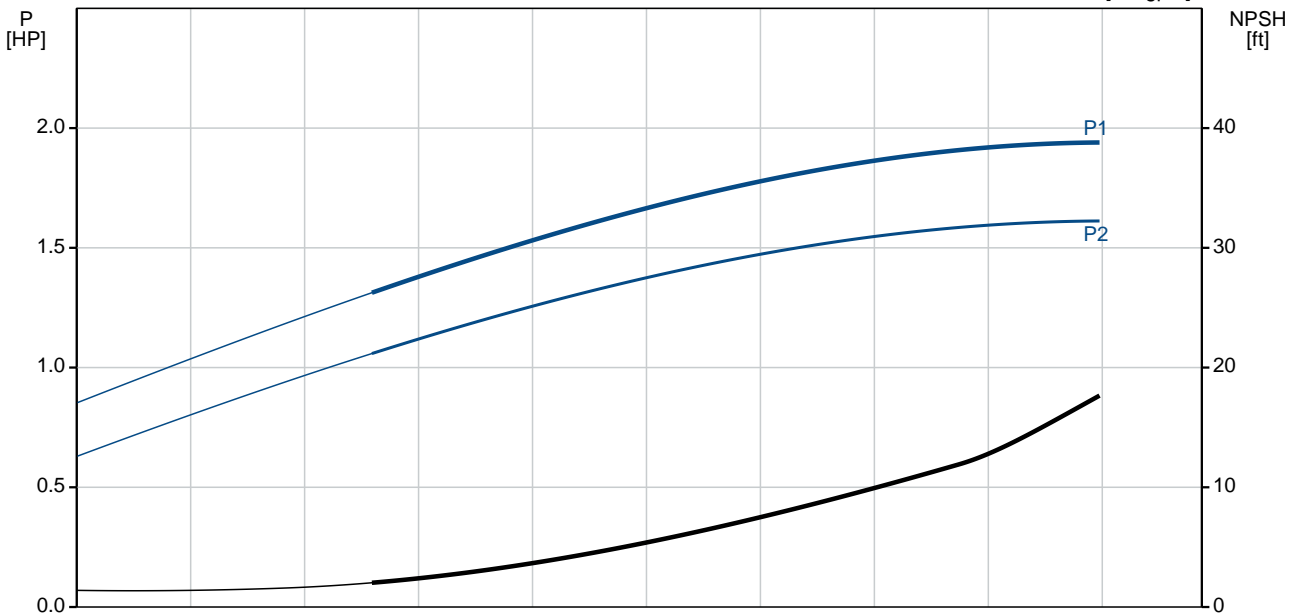
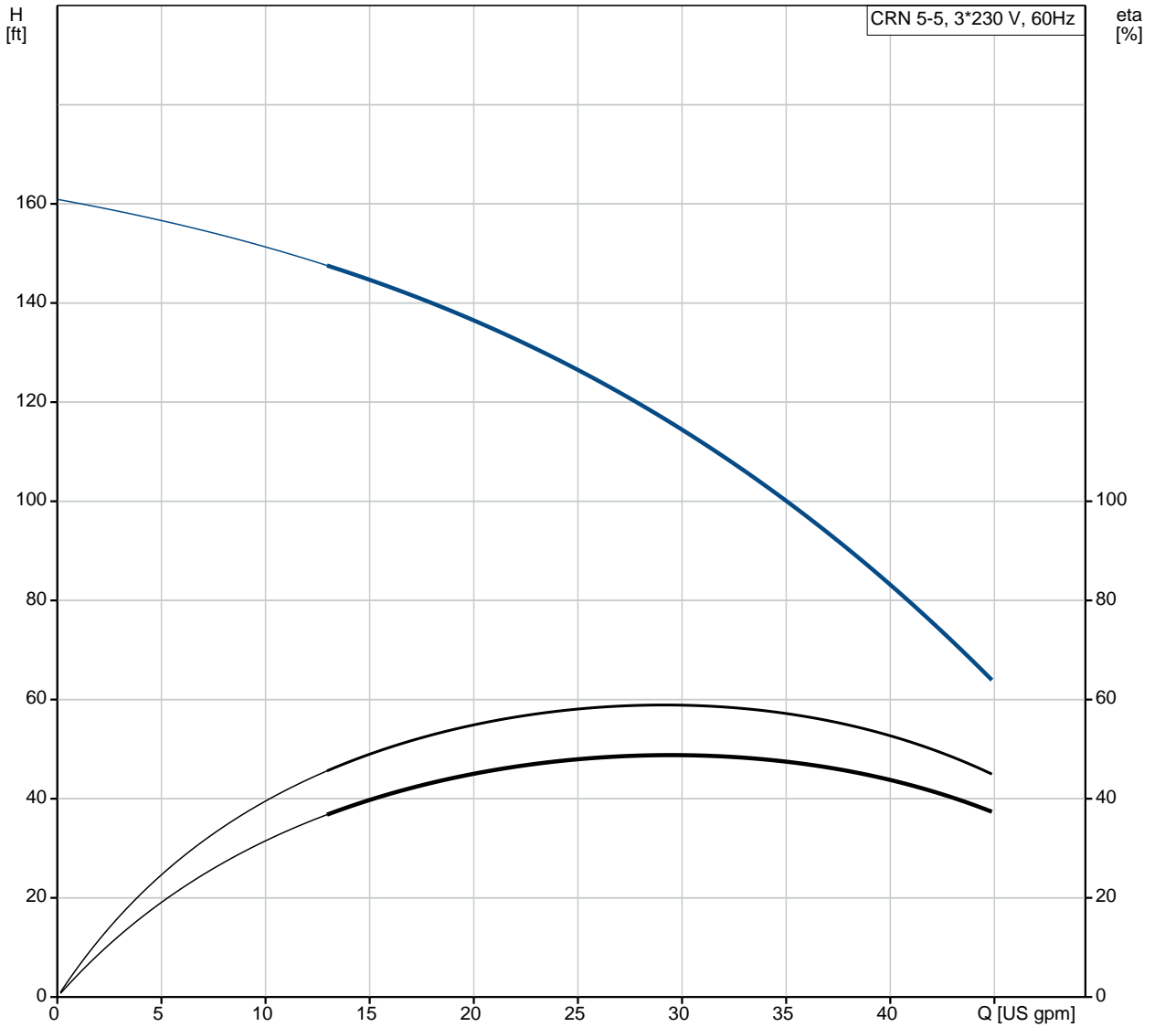


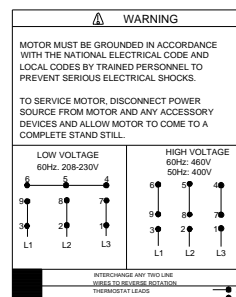
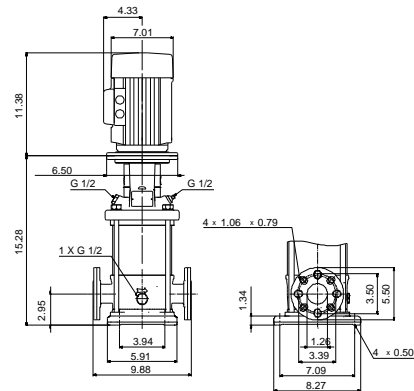
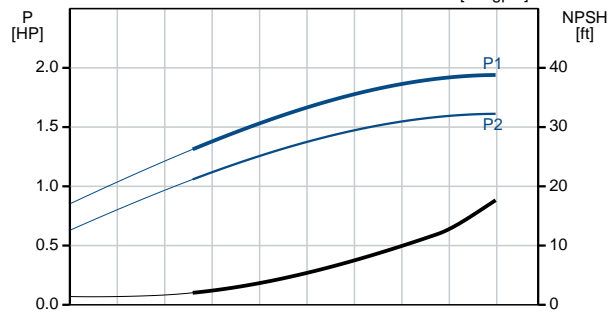
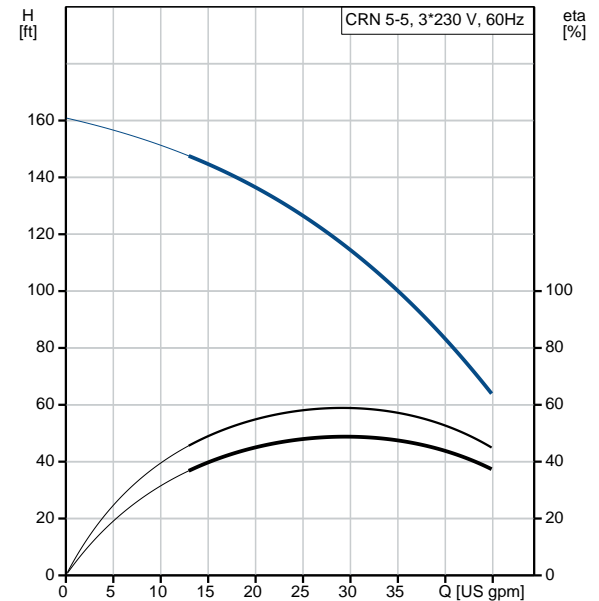
Count	Description
1	<p data-bbox="225 338 539 367">CRN 5-5 A-FGJ-A-V-HQQV</p>  <p data-bbox="225 660 491 689">Product No.: 97741967</p> <p data-bbox="225 689 751 779">Vertical, non-self-priming, multistage, in-line, centrifugal pump for installation in pipe systems and mounting on a foundation.</p> <p data-bbox="225 808 703 837">The pump has the following characteristics:</p> <ul data-bbox="264 837 783 1016" style="list-style-type: none"> - Impellers, intermediate chambers and outer sleeve are made of - Pump head cover and base are made of - The shaft seal has assembly length according to EN 12756. - Power transmission is via cast iron split coupling. <p data-bbox="225 1048 427 1077">flanges/couplings.</p> <p data-bbox="225 1108 603 1137">The motor is a 3-phase AC motor.</p> <p data-bbox="225 1167 336 1196">Controls:</p> <p data-bbox="225 1196 667 1225">Frequency converter: NONE</p> <p data-bbox="225 1256 316 1285">Liquid:</p> <p data-bbox="225 1285 667 1314">Pumped liquid: Water</p> <p data-bbox="225 1314 715 1344">Liquid temperature range: -4 .. 194 °F</p> <p data-bbox="225 1344 715 1373">Liquid temperature during operation: 68 °F</p> <p data-bbox="225 1373 715 1402">Density: 62.29 lb/ft³</p> <p data-bbox="225 1433 352 1462">Technical:</p> <p data-bbox="225 1462 699 1491">Rated pump speed: 3466 rpm</p> <p data-bbox="225 1491 735 1520">Rated flow: 30.4 US gpm</p> <p data-bbox="225 1520 683 1550">Rated head: 116.5 ft</p> <p data-bbox="225 1550 683 1579">Pump orientation: Vertical</p> <p data-bbox="225 1579 667 1608">Shaft seal arrangement: Single</p> <p data-bbox="225 1608 667 1637">Code for shaft seal: HQQV</p> <p data-bbox="225 1637 683 1666">Approvals on nameplate: CURUS</p> <p data-bbox="225 1666 794 1695">Curve tolerance: ISO9906:2012 3B</p> <p data-bbox="225 1727 347 1756">Materials:</p> <p data-bbox="225 1756 751 1845">Base: Stainless steel EN 1.4408 AISI 316</p> <p data-bbox="225 1845 751 1935">Impeller: Stainless steel EN 1.4401 AISI 316</p> <p data-bbox="225 1935 635 1964">Bearing: SIC</p> <p data-bbox="225 1995 368 2024">Installation:</p> <p data-bbox="225 2024 667 2054">Maximum ambient temperature: 140 °F</p> <p data-bbox="225 2054 671 2083">Maximum operating pressure: 363 psi</p>

Count	Description
	<p>Max pressure at stated temperature: 363 psi / 194 °F 363 psi / -4 °F</p> <p>Type of connection: DIN / ANSI / JIS</p> <p>Size of inlet connection: DN 25/32</p> <p>Size of suction port: 1 1/4 inch</p> <p>Size of outlet connection: DN 25/32</p> <p>Size of outlet port: 1 1/4 inch</p> <p>Pressure rating for pipe connection: PN 25</p> <p>Flange rating inlet: 300 lb</p> <p>Flange size for motor: 56C</p> <p>Electrical data:</p> <p>Motor standard: NEMA</p> <p>Motor type: 90CC</p> <p>IE Efficiency class: NEMA Premium / IE3 60Hz</p> <p>Rated power - P2: 2 HP</p> <p>Power (P2) required by pump: 2 HP</p> <p>Main frequency: 60 Hz</p> <p>Rated voltage: 3 x 208-230YY/460Y V</p> <p>Service factor: 1.15</p> <p>Rated current: 5,70-5,40/2,70 A</p> <p>Starting current: 810-900 %</p> <p>Cos phi - power factor: 0.88-0.84</p> <p>Rated speed: 3480-3510 rpm</p> <p>IE efficiency: IE3 85,5%</p> <p>Motor efficiency at full load: 85.5 %</p> <p>Motor efficiency at 3/4 load: 85.0 %</p> <p>Motor efficiency at 1/2 load: 83.0 %</p> <p>Number of poles: 2</p> <p>Enclosure class (IEC 34-5): 55 Dust/Jetting</p> <p>Insulation class (IEC 85): F</p> <p>Others:</p> <p>Net weight: 77.2 lb</p> <p>Gross weight: 88.2 lb</p> <p>Shipping volume: 6.11 ft³</p> <p>Country of origin: US</p> <p>Custom tariff no.: 8413.70.2040</p>

97741967 CRN 5-5 A-FGJ-A-V-HQQV 60 Hz



Description	Value
General information:	
Product name:	CRN 5-5 A-FGJ-A-V-HQQV
Product No.:	97741967
EAN:	5710623550107
Technical:	
Rated pump speed:	3466 rpm
Rated flow:	30.4 US gpm
Rated head:	116.5 ft
Head max:	165.7 ft
Stages:	5
Impellers:	5
Number of reduced-diameter impellers:	0
Low NPSH:	N
Pump orientation:	Vertical
Shaft seal arrangement:	Single
Code for shaft seal:	HQQV
Approvals on nameplate:	CURUS
Curve tolerance:	ISO9906:2012 3B
Pump version:	A
Model:	A
Cooling:	TEFC
Materials:	
Base:	Stainless steel EN 1.4408 AISI 316
Impeller:	Stainless steel EN 1.4401 AISI 316
Material code:	A
Code for rubber:	V
Bearing:	SIC
Installation:	
Maximum ambient temperature:	140 °F
Maximum operating pressure:	363 psi
Max pressure at stated temperature:	363 psi / 194 °F 363 psi / -4 °F
Type of connection:	DIN / ANSI / JIS
Size of inlet connection:	DN 25/32
Size of suction port:	1 1/4 inch
Size of outlet connection:	DN 25/32
Size of outlet port:	1 1/4 inch
Pressure rating for pipe connection:	PN 25
Flange rating inlet:	300 lb
Flange size for motor:	56C
Connect code:	FGJ
Liquid:	
Pumped liquid:	Water
Liquid temperature range:	-4 .. 194 °F
Liquid temperature during operation:	68 °F
Density:	62.29 lb/ft³
Electrical data:	
Motor standard:	NEMA
Motor type:	90CC
IE Efficiency class:	NEMA Premium / IE3 60Hz
Rated power - P2:	2 HP
Power (P2) required by pump:	2 HP





Company name:

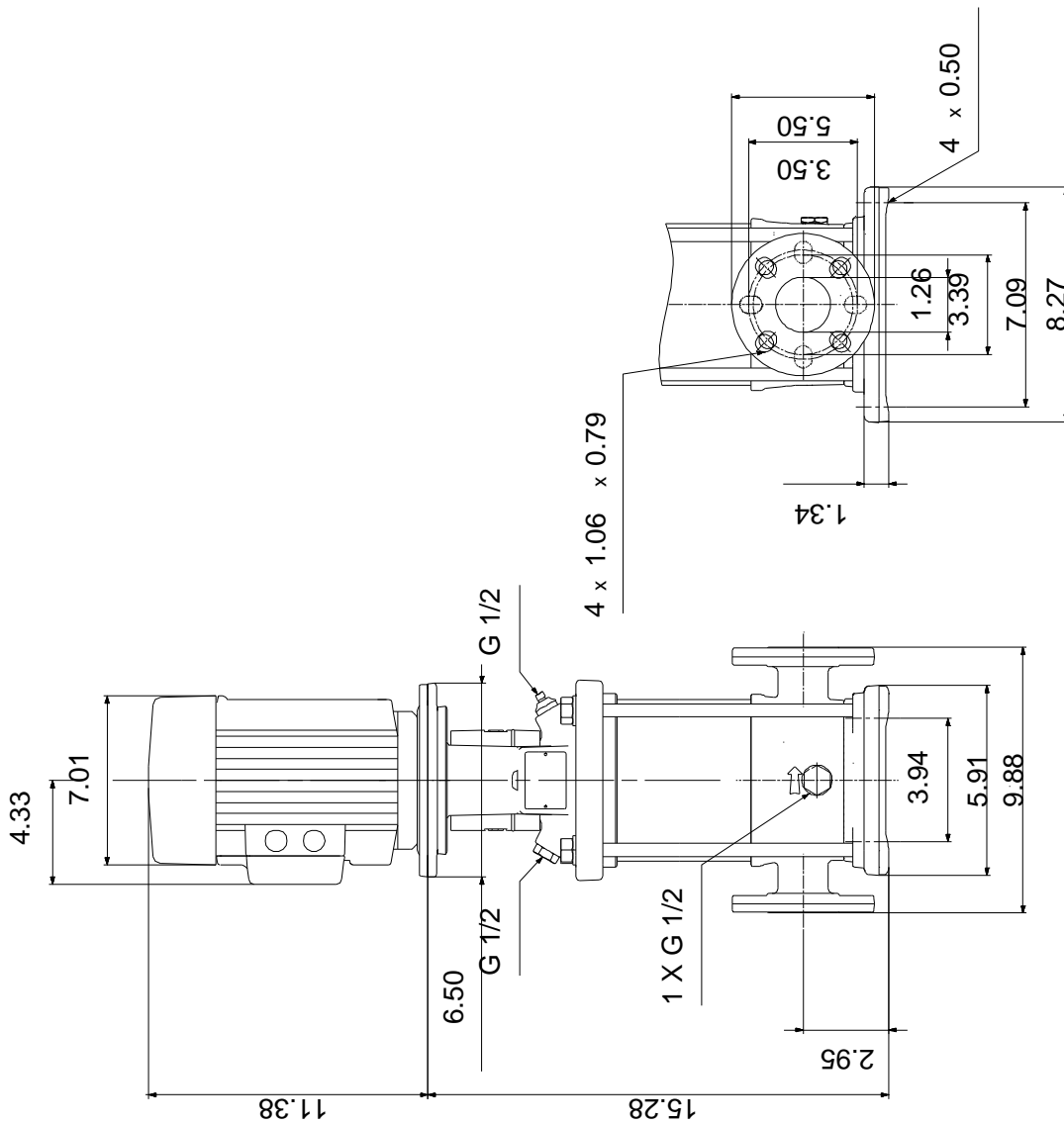
Created by:

Phone:

Date: 3/1/2019

Description	Value
Main frequency:	60 Hz
Rated voltage:	3 x 208-230YY/460Y V
Service factor:	1.15
Rated current:	5,70-5,40/2,70 A
Starting current:	810-900 %
Load current:	6,55-6,1/3,05 A
Cos phi - power factor:	0.88-0.84
Rated speed:	3480-3510 rpm
IE efficiency:	IE3 85,5%
Motor efficiency at full load:	85.5 %
Motor efficiency at 3/4 load:	85.0 %
Motor efficiency at 1/2 load:	83.0 %
Number of poles:	2
Enclosure class (IEC 34-5):	55 Dust/Jetting
Insulation class (IEC 85):	F
Motor protection:	NONE
Motor Number:	85900705
Controls:	
Frequency converter:	NONE
Others:	
Net weight:	77.2 lb
Gross weight:	88.2 lb
Shipping volume:	6.11 ft ³
Country of origin:	US
Custom tariff no.:	8413.70.2040

97741967 CRN 5-5 A-FGJ-A-V-HQQV 60 Hz



Note! All units are in [mm] unless otherwise stated.
Disclaimer: This simplified dimensional drawing does not show all details.

97741967 CRN 5-5 A-FGJ-A-V-HQQV 60 Hz



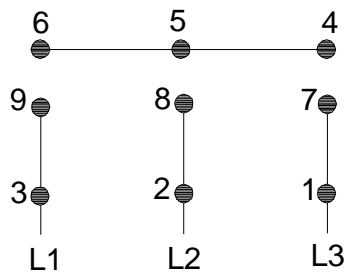
WARNING

MOTOR MUST BE GROUNDED IN ACCORDANCE WITH THE NATIONAL ELECTRICAL CODE AND LOCAL CODES BY TRAINED PERSONNEL TO PREVENT SERIOUS ELECTRICAL SHOCKS.

TO SERVICE MOTOR, DISCONNECT POWER SOURCE FROM MOTOR AND ANY ACCESSORY DEVICES AND ALLOW MOTOR TO COME TO A COMPLETE STAND STILL.

LOW VOLTAGE

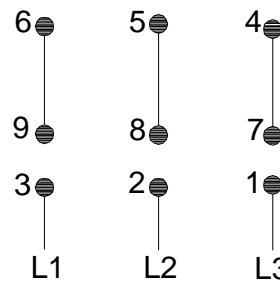
60Hz. 208-230V



HIGH VOLTAGE

60Hz: 460V

50Hz: 400V



96569464

INTERCHANGE ANY TWO LINE WIRES TO REVERSE ROTATION

THERMOSTAT LEADS (WHEN PROVIDED)

