

PROJECT: _____	UNIT TAG: _____	QUANTITY: _____
REPRESENTATIVE: _____	TYPE OF SERVICE: _____	DATE: _____
ENGINEER: _____	SUBMITTED BY: _____	DATE: _____
CONTRACTOR: _____	APPROVED BY: _____	DATE: _____
	ORDER NO.: _____	DATE: _____

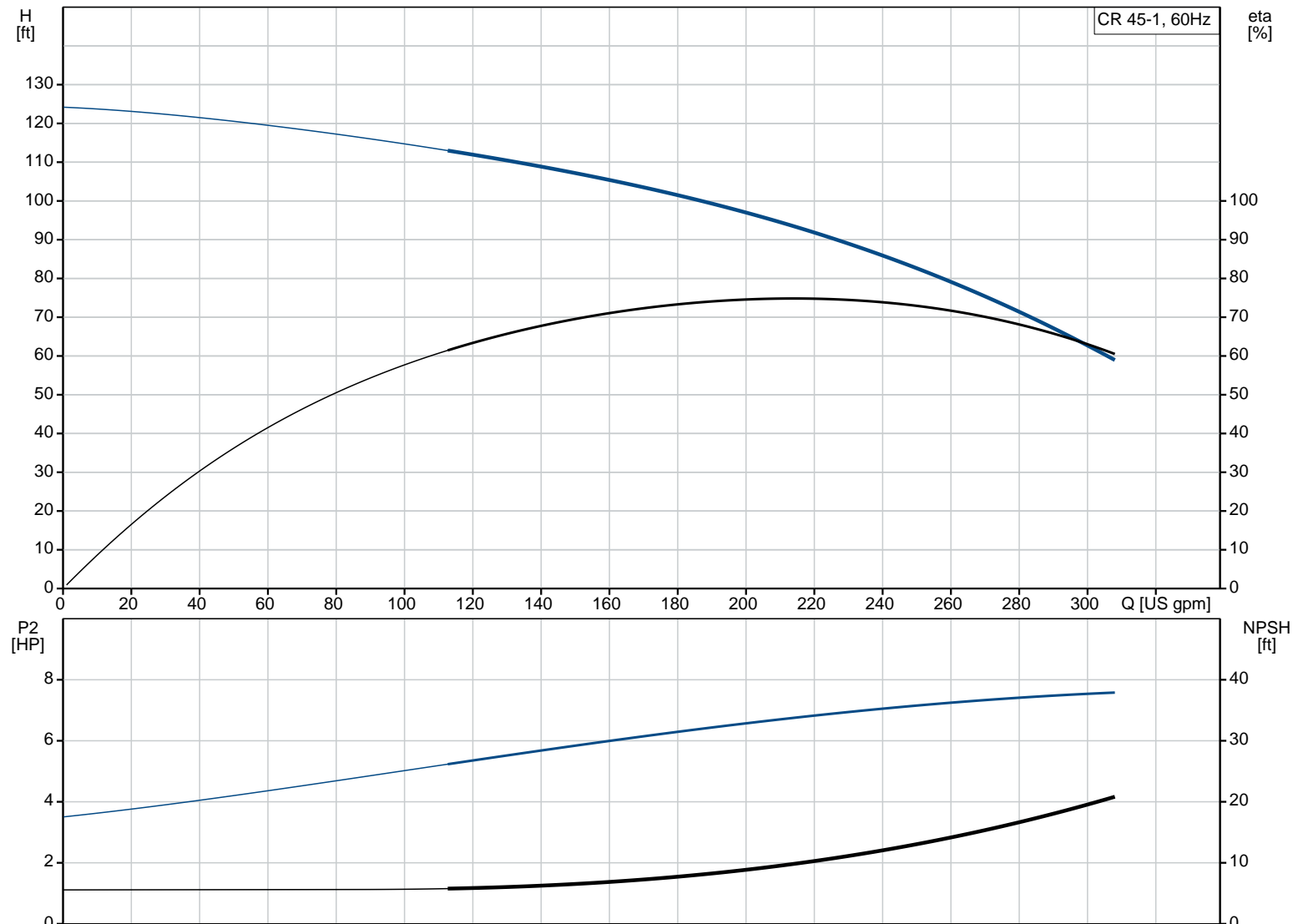


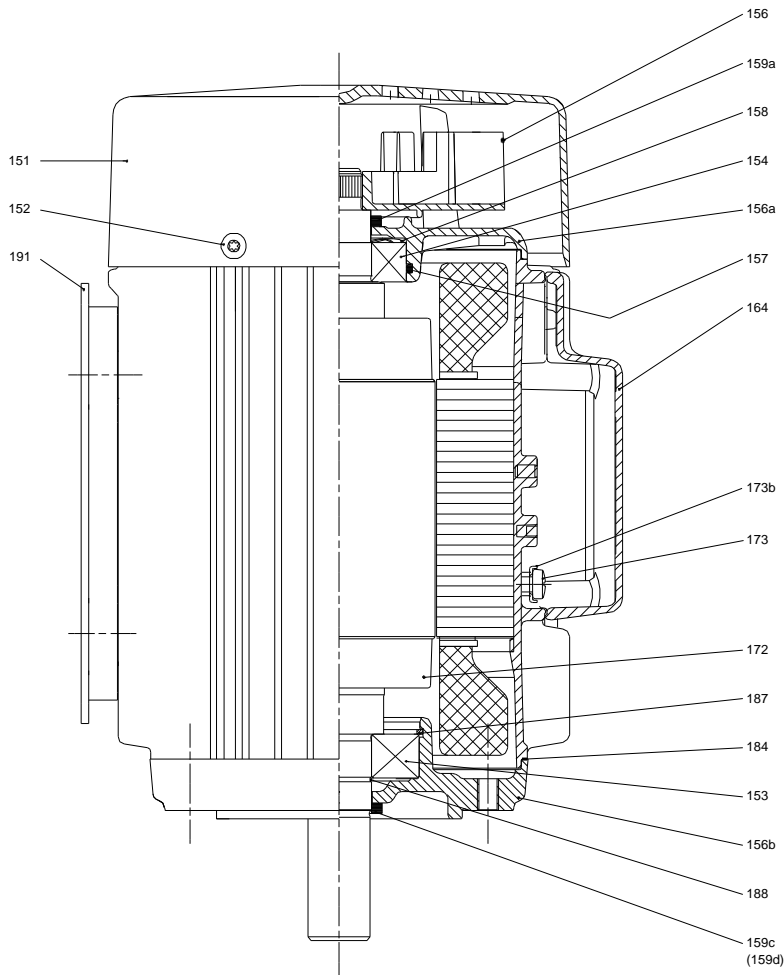
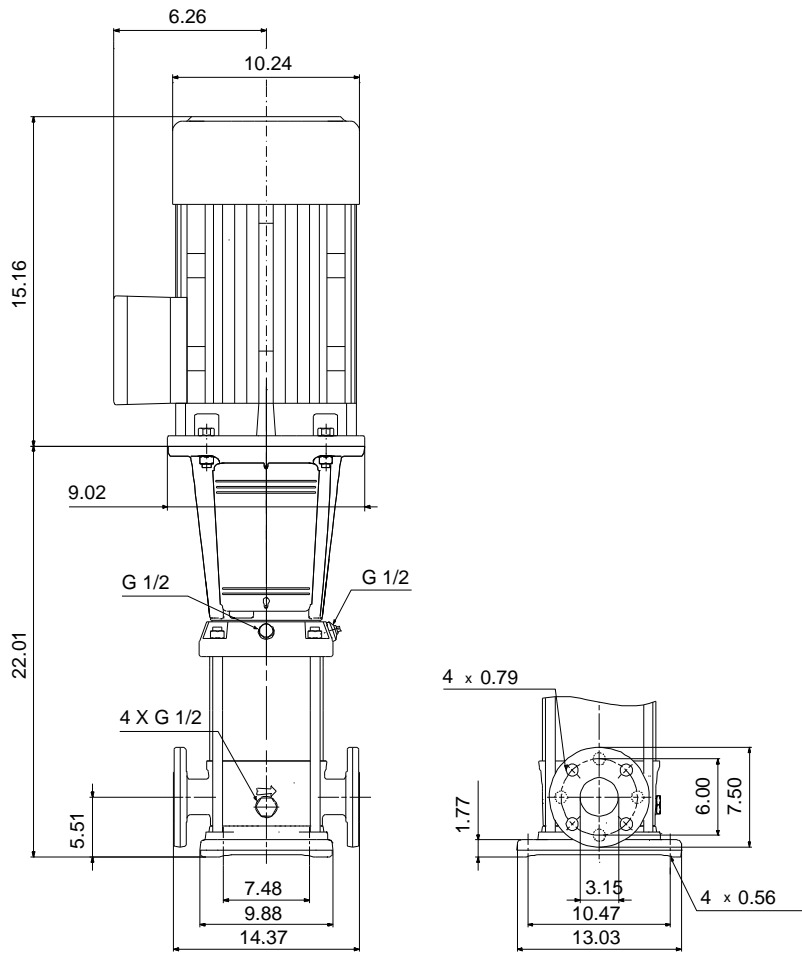
CR 45-1 A-G-A-E-HQQE

Vertical, multistage centrifugal pump with suction and discharge ports on the same level. The pump head and base are in cast iron. All other wetted parts are in stainless steel (EN 1.4301) (AISI 304)

Product photo could vary from the actual product


Conditions of Service	Pump Data	Motor Data
Flow: _____	Max pressure at stated temperature: 232 psi / 250 °F	Rated power - P2: 10 HP
Head: _____	Liquid temperature range: -22 .. 248 °F	Rated voltage: 208-230YY/460Y V
Efficiency: _____	Maximum ambient temperature: 140 °F	Main frequency: 60 Hz
Liquid: Water	Approvals: CURUS,NSF61	Enclosure class: 55 Dust/Jetting
Temperature: 68 °F	Shaft seal: HQQE	Insulation class: F
NPSH required: ft	Product number: 97744260	Motor protection: PTC
Viscosity: _____		Motor type: 132FA
Specific Gravity: 1.000		Motor_efficiency: 90.0-90.2 %





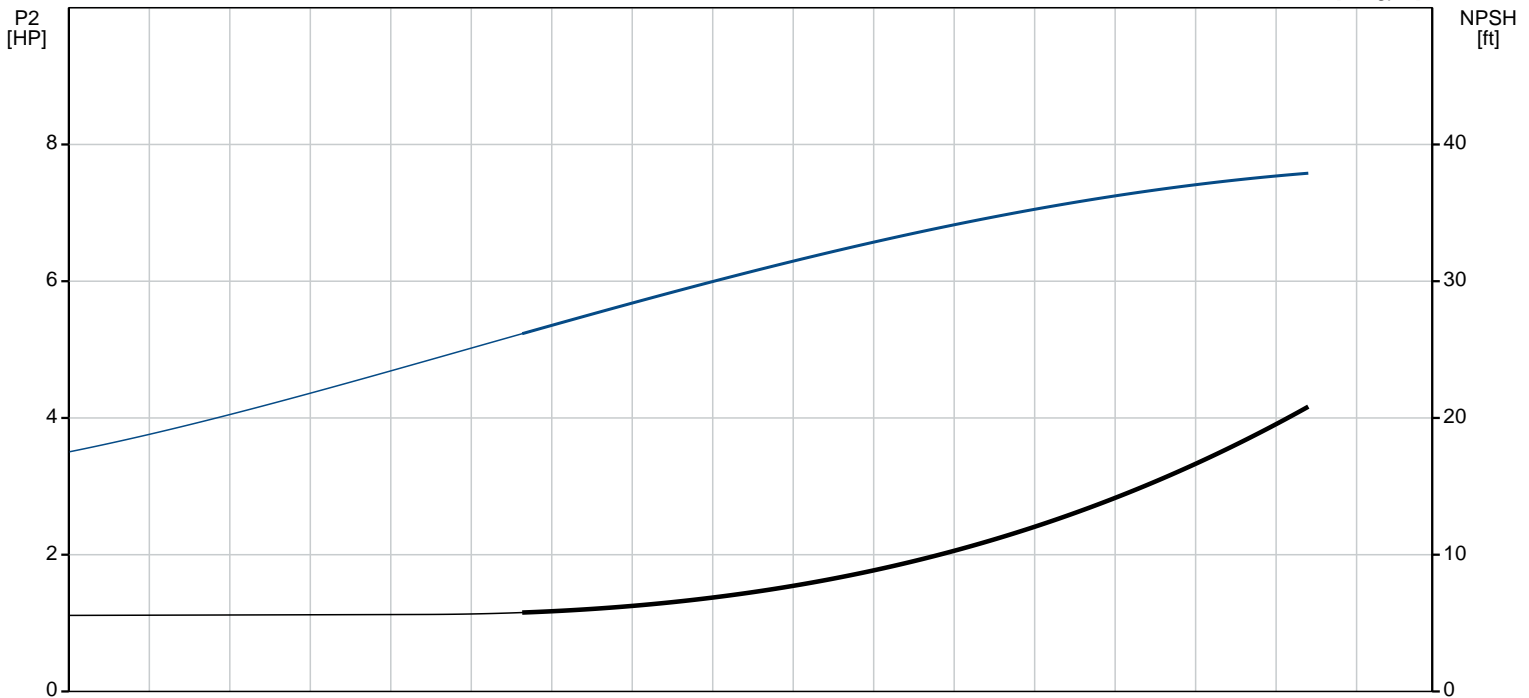
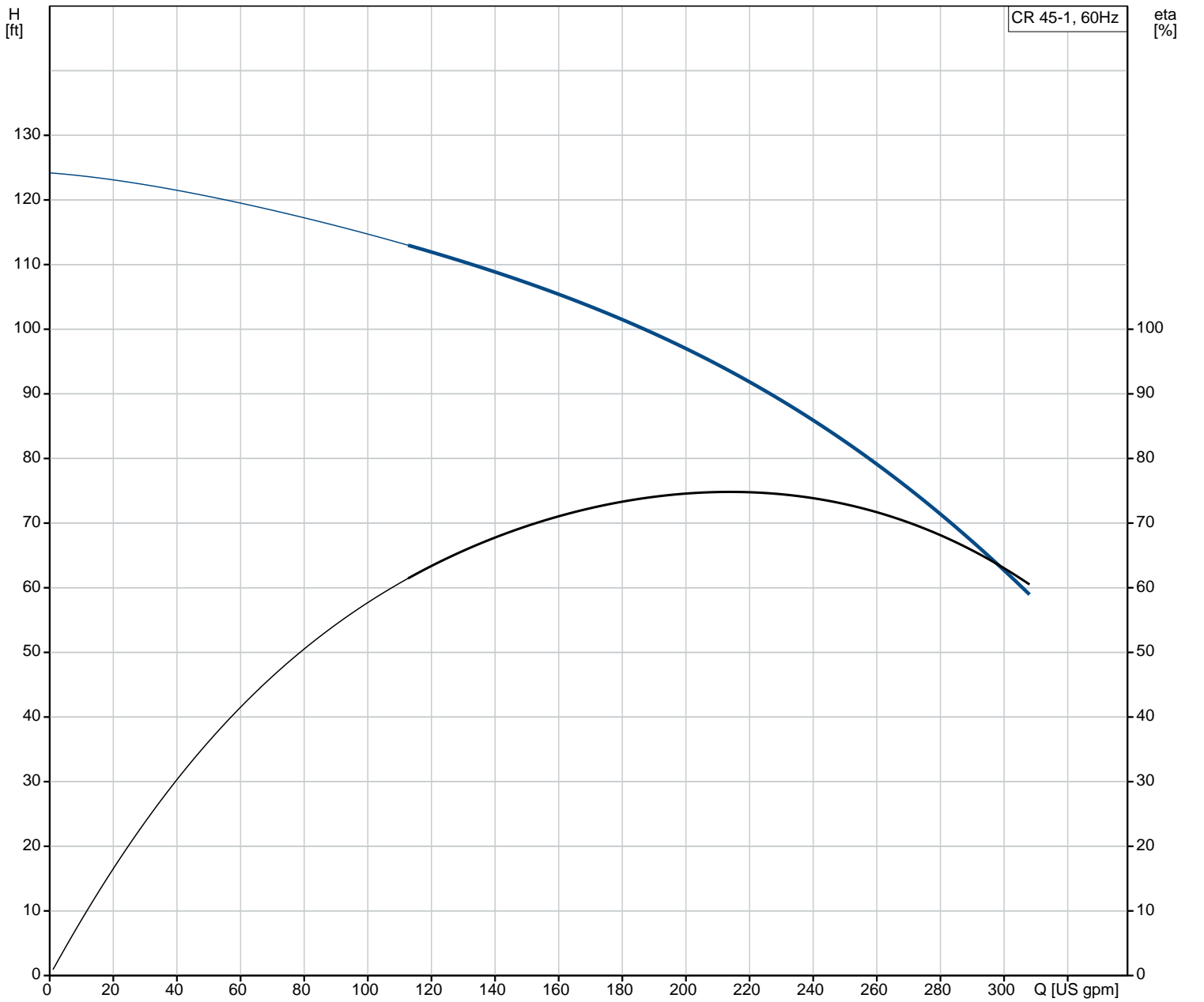
Materials:

- Base: Cast iron
EN 1563 EN-GJS-500-7
ASTM A536 80-55-06
- Impeller: Stainless steel
AISI 304
EN 1.4301
- Material code: A
- Code for rubber: E

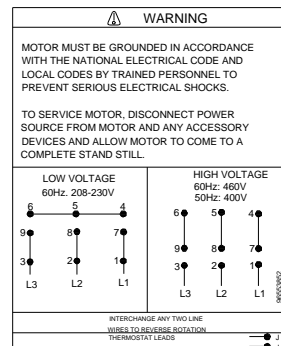
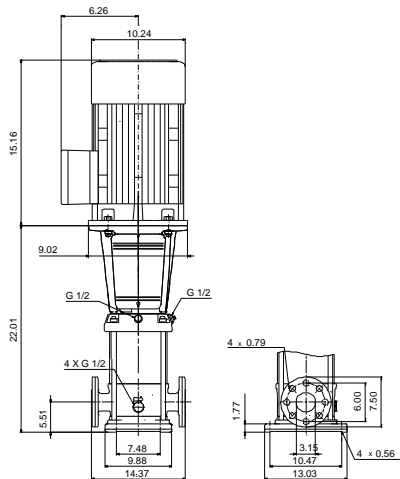
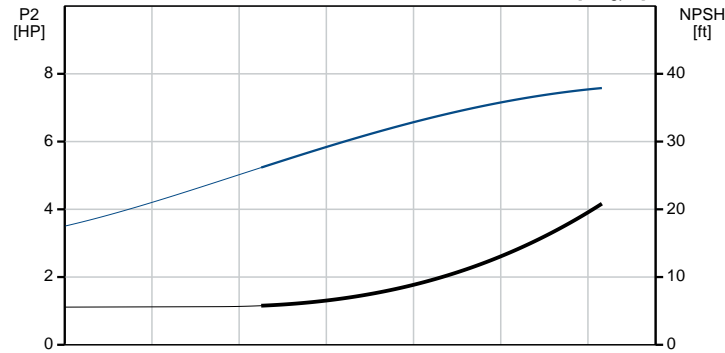
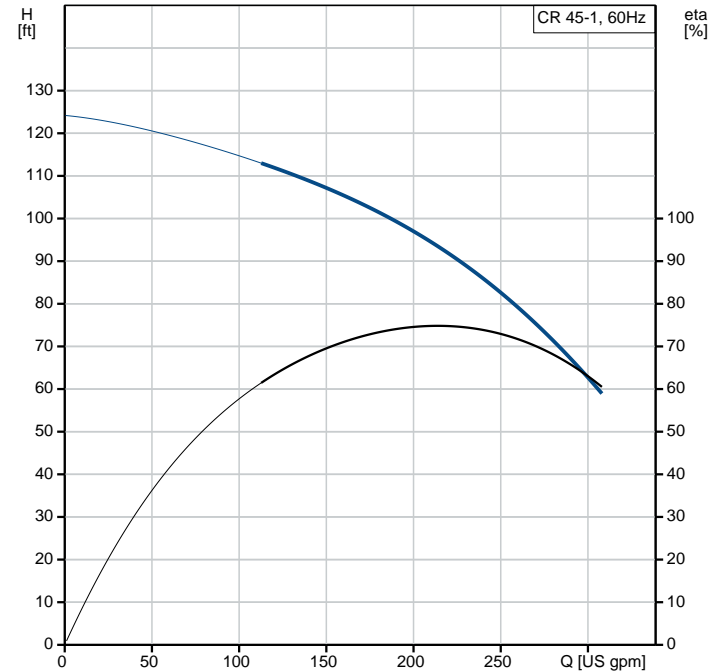
Count	Description
1	CR 45-1 A-G-A-E-HQQE  Product No.: 97744260 Vertical, non-self-priming, multistage, in-line, centrifugal pump for installation in pipe systems and mounting on a foundation. The pump has the following characteristics: <ul style="list-style-type: none"> - Impellers and intermediate chambers are made of - The shaft seal has assembly length according to EN 12756. - Power transmission is via cast iron split coupling. The motor is a 3-phase AC motor. Controls: Frequency converter: NONE Liquid: Pumped liquid: Water Liquid temperature range: -22 .. 248 °F Liquid temperature during operation: 68 °F Density: 62.29 lb/ft³ Technical: Rated pump speed: 3467 rpm Rated flow: 238 US gpm Rated head: 92.2 ft Pump orientation: Vertical Shaft seal arrangement: Single Code for shaft seal: HQQE Approvals on nameplate: CURUS,NSF61 Curve tolerance: ISO9906:2012 3B Materials: Base: Cast iron EN 1563 EN-GJS-500-7 ASTM A536 80-55-06 Impeller: Stainless steel EN 1.4301 AISI 304 Bearing: SIC Support bearing: Graflon Installation: Maximum ambient temperature: 140 °F Maximum operating pressure: 232 psi Max pressure at stated temperature: 232 psi / 250 °F 232 psi / -22 °F Type of connection: ANSI Size of suction port: 3 inch Size of outlet port: 3 inch Pressure rating for pipe connection: PN 16 Flange rating inlet: 150 lb Flange size for motor: 213TC Electrical data:

Count	Description
	<p>Motor standard: NEMA</p> <p>Motor type: 132FA</p> <p>IE Efficiency class: NEMA Premium / IE3 60Hz</p> <p>Rated power - P2: 10 HP</p> <p>Power (P2) required by pump: 10 HP</p> <p>Main frequency: 60 Hz</p> <p>Rated voltage: 3 x 208-230YY/460Y V</p> <p>Service factor: 1.15</p> <p>Rated current: 26,5-24,6/12,4 A</p> <p>Starting current: 680-900 %</p> <p>Cos phi - power factor: 0.87</p> <p>Rated speed: 3480-3500 rpm</p> <p>IE efficiency: IE3 90,2%</p> <p>Motor efficiency at full load: 90.0-90.2 %</p> <p>Motor efficiency at 3/4 load: 90.8 %</p> <p>Motor efficiency at 1/2 load: 90.8 %</p> <p>Number of poles: 2</p> <p>Enclosure class (IEC 34-5): 55 Dust/Jetting</p> <p>Insulation class (IEC 85): F</p> <p>Others:</p> <p>Net weight: 245 lb</p> <p>Gross weight: 263 lb</p> <p>Shipping volume: 10.9 ft³</p> <p>Country of origin: US</p> <p>Custom tariff no.: 8413.70.2040</p>

97744260 CR 45-1 A-G-A-E-HQQE 60 Hz



Description	Value
General information:	
Product name:	CR 45-1 A-G-A-E-HQQE
Product No.:	97744260
EAN:	5710623618159
Technical:	
Rated pump speed:	3467 rpm
Rated flow:	238 US gpm
Rated head:	92.2 ft
Head max:	126.6 ft
Stages:	1
Impellers:	1
Number of reduced-diameter impellers:	0
Low NPSH:	N
Pump orientation:	Vertical
Shaft seal arrangement:	Single
Code for shaft seal:	HQQE
Approvals on nameplate:	CURUS, NSF61
Curve tolerance:	ISO9906:2012 3B
Pump version:	A
Model:	B
Cooling:	TEFC
Materials:	
Base:	Cast iron EN 1563 EN-GJS-500-7 ASTM A536 80-55-06
Impeller:	Stainless steel EN 1.4301 AISI 304
Material code:	A
Code for rubber:	E
Bearing:	SIC
Support bearing:	Graflon
Installation:	
Maximum ambient temperature:	140 °F
Maximum operating pressure:	232 psi
Max pressure at stated temperature:	232 psi / 250 °F 232 psi / -22 °F
Type of connection:	ANSI
Size of suction port:	3 inch
Size of outlet port:	3 inch
Pressure rating for pipe connection:	PN 16
Flange rating inlet:	150 lb
Flange size for motor:	213TC
Connect code:	G
Liquid:	
Pumped liquid:	Water
Liquid temperature range:	-22 .. 248 °F
Liquid temperature during operation:	68 °F
Density:	62.29 lb/ft ³
Electrical data:	
Motor standard:	NEMA
Motor type:	132FA
IE Efficiency class:	NEMA Premium / IE3 60Hz
Rated power - P2:	10 HP
Power (P2) required by pump:	10 HP
Main frequency:	60 Hz
Rated voltage:	3 x 208-230Y/460Y V
Service factor:	1.15
Rated current:	26,5-24,6/12,4 A
Starting current:	680-900 %
Load current:	30,5-28,3/14,3 A
Cos phi - power factor:	0.87
Rated speed:	3480-3500 rpm
IE efficiency:	IE3 90,2%
Motor efficiency at full load:	90.0-90.2 %
Motor efficiency at 3/4 load:	90.8 %





Company name:

Created by:

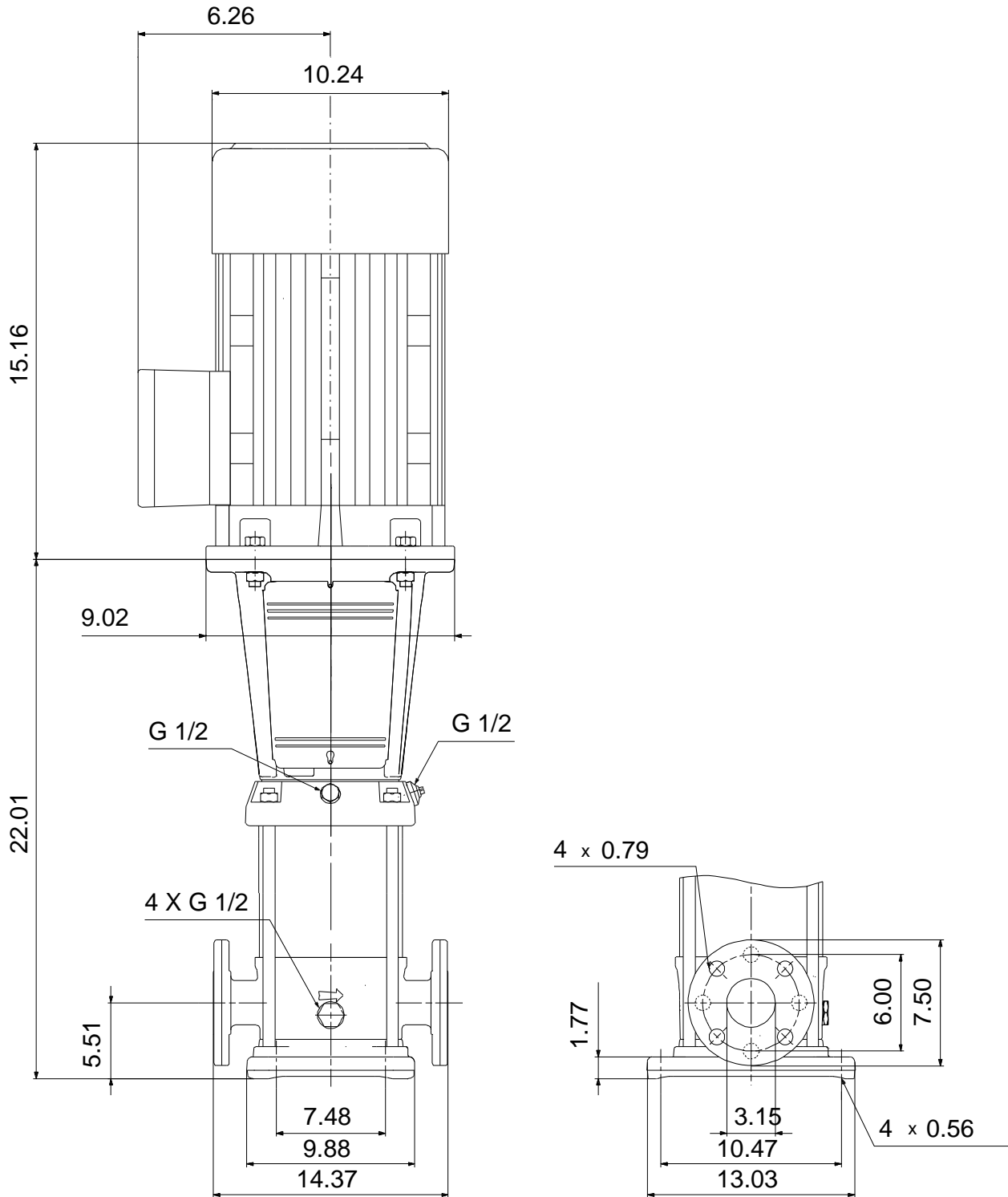
Phone:

Date:

3/19/2019

Description	Value
Motor efficiency at 1/2 load:	90.8 %
Number of poles:	2
Enclosure class (IEC 34-5):	55 Dust/Jetting
Insulation class (IEC 85):	F
Motor protection:	PTC
Motor Number:	85903410
Controls:	
Frequency converter:	NONE
Others:	
Net weight:	245 lb
Gross weight:	263 lb
Shipping volume:	10.9 ft ³
Sales region:	Namreg
Country of origin:	US
Custom tariff no.:	8413.70.2040

97744260 CR 45-1 A-G-A-E-HQQE 60 Hz



97744260 CR 45-1 A-G-A-E-HQQE 60 Hz

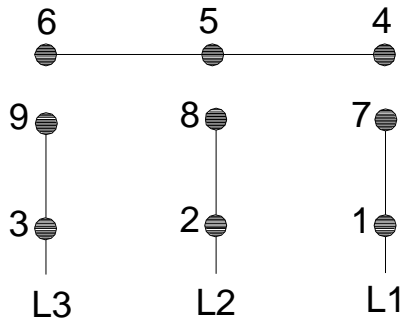


WARNING

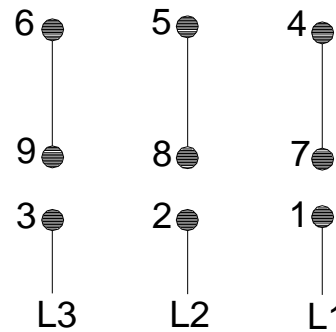
MOTOR MUST BE GROUNDED IN ACCORDANCE WITH THE NATIONAL ELECTRICAL CODE AND LOCAL CODES BY TRAINED PERSONNEL TO PREVENT SERIOUS ELECTRICAL SHOCKS.

TO SERVICE MOTOR, DISCONNECT POWER SOURCE FROM MOTOR AND ANY ACCESSORY DEVICES AND ALLOW MOTOR TO COME TO A COMPLETE STAND STILL.

LOW VOLTAGE 60Hz. 208-230V



HIGH VOLTAGE 60Hz: 460V 50Hz: 400V



96553852

INTERCHANGE ANY TWO LINE WIRES TO REVERSE ROTATION

THERMOSTAT LEADS

(WHEN PROVIDED)

