


Count	Description
1	<p data-bbox="225 338 539 360">CRN 5-5 A-FGJ-A-V-HQQV</p> <div data-bbox="363 383 459 629" style="text-align: center;">  </div> <p data-bbox="225 663 496 685">Product No.: 97766472</p> <p data-bbox="225 692 751 775">Vertical, non-self-priming, multistage, in-line, centrifugal pump for installation in pipe systems and mounting on a foundation.</p> <p data-bbox="225 808 703 837">The pump has the following characteristics:</p> <ul data-bbox="264 842 783 1016" style="list-style-type: none"> - Impellers, intermediate chambers and outer sleeve are made of - Pump head cover and base are made of - The shaft seal has assembly length according to EN 12756. - Power transmission is via cast iron split coupling. <p data-bbox="225 1048 427 1077">flanges/couplings.</p> <p data-bbox="225 1108 603 1137">The motor is a 1-phase AC motor.</p> <p data-bbox="225 1169 336 1198">Controls:</p> <p data-bbox="225 1200 663 1229">Frequency converter: NONE</p> <p data-bbox="225 1261 312 1290">Liquid:</p> <p data-bbox="225 1292 663 1321">Pumped liquid: Water</p> <p data-bbox="225 1323 715 1352">Liquid temperature range: -4 .. 194 °F</p> <p data-bbox="225 1355 715 1384">Liquid temperature during operation: 68 °F</p> <p data-bbox="225 1386 715 1415">Density: 62.29 lb/ft³</p> <p data-bbox="225 1447 352 1476">Technical:</p> <p data-bbox="225 1478 699 1507">Rated pump speed: 3450 rpm</p> <p data-bbox="225 1509 735 1538">Rated flow: 30.4 US gpm</p> <p data-bbox="225 1541 676 1570">Rated head: 115.2 ft</p> <p data-bbox="225 1572 676 1601">Pump orientation: Vertical</p> <p data-bbox="225 1603 663 1632">Shaft seal arrangement: Single</p> <p data-bbox="225 1635 663 1664">Code for shaft seal: HQQV</p> <p data-bbox="225 1666 676 1695">Approvals on nameplate: CURUS</p> <p data-bbox="225 1697 788 1727">Curve tolerance: ISO9906:2012 3B</p> <p data-bbox="225 1758 344 1787">Materials:</p> <p data-bbox="225 1789 751 1850">Base: Stainless steel EN 1.4408 AISI 316</p> <p data-bbox="225 1852 751 1939">Impeller: Stainless steel EN 1.4401 AISI 316</p> <p data-bbox="225 1942 635 1971">Bearing: SIC</p> <p data-bbox="225 2002 368 2031">Installation:</p> <p data-bbox="225 2033 663 2063">Maximum ambient temperature: 104 °F</p> <p data-bbox="225 2065 676 2094">Maximum operating pressure: 363 psi</p>



Company name:

Created by:

Phone:

Date:

3/14/2019

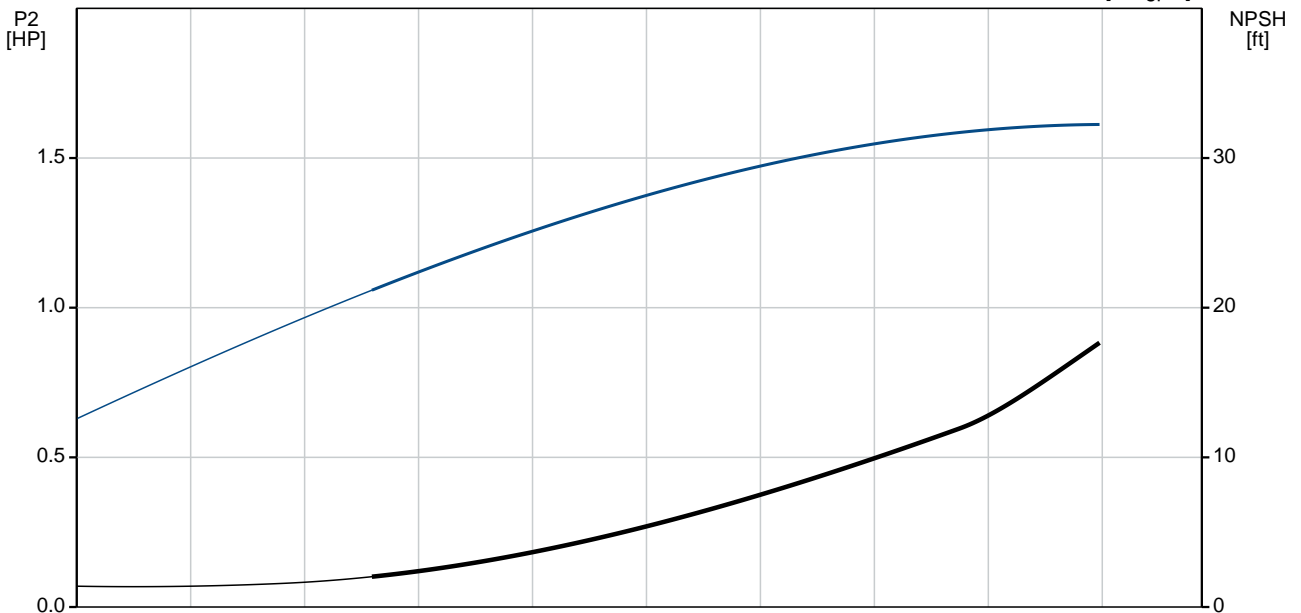
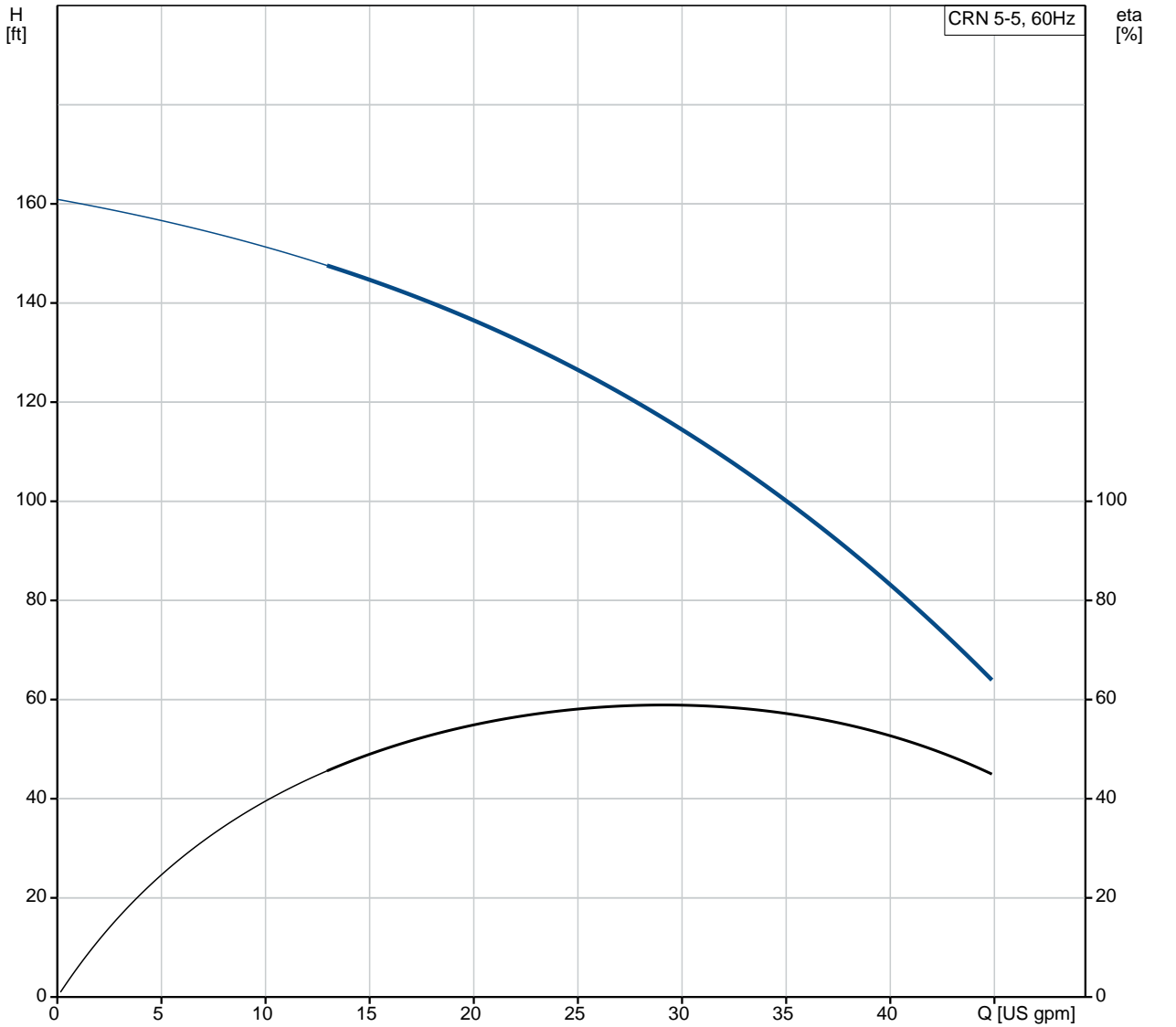
Count	Description
	Max pressure at stated temperature: 363 psi / 194 °F 363 psi / -4 °F
	Type of connection: DIN / ANSI / JIS
	Size of inlet connection: DN 25/32
	Size of suction port: 1 1/4 inch
	Size of outlet connection: DN 25/32
	Size of outlet port: 1 1/4 inch
	Pressure rating for pipe connection: PN 25
	Flange rating inlet: 300 lb
	Flange size for motor: 56C
	Electrical data:
	Motor standard: NEMA
	Motor type: Baldor
	Rated power - P2: 2 HP
	Power (P2) required by pump: 2 HP
	Main frequency: 60 Hz
	Rated voltage: 1 x 115/208-230 V
	Service factor: 1.15
	Rated current: 23,0/12,7-11,5 A
	Rated speed: 3450 rpm
	Number of poles: 2
	Insulation class (IEC 85): F
	Others:
	Net weight: 87.6 lb
	Gross weight: 98.7 lb
	Shipping volume: 6.11 ft ³
	Country of origin: US
	Custom tariff no.: 8413.70.2040



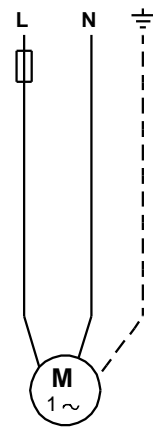
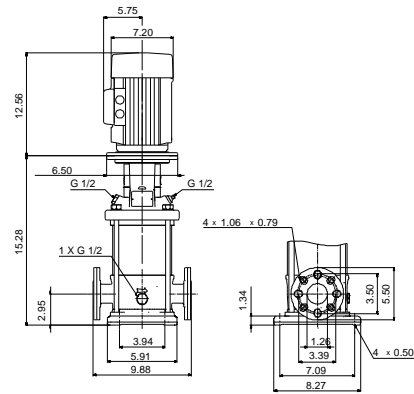
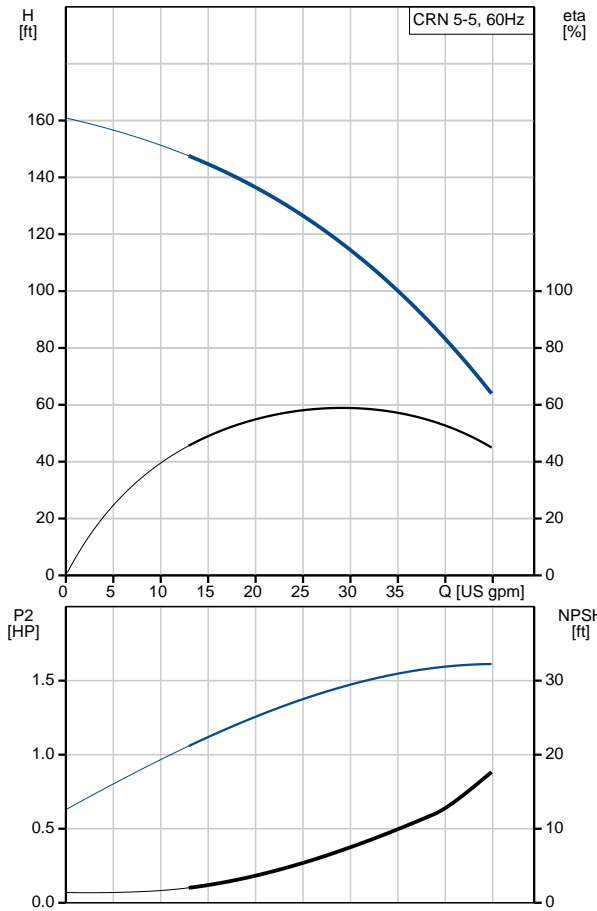
Company name:
Created by:
Phone:

Date: 3/14/2019

97766472 CRN 5-5 A-FGJ-A-V-HQQV 60 Hz



Description	Value
General information:	
Product name:	CRN 5-5 A-FGJ-A-V-HQQV
Product No.:	97766472
EAN:	5710624013519
Technical:	
Rated pump speed:	3450 rpm
Rated flow:	30.4 US gpm
Rated head:	115.2 ft
Head max:	164.1 ft
Stages:	5
Impellers:	5
Number of reduced-diameter impellers:	0
Low NPSH:	N
Pump orientation:	Vertical
Shaft seal arrangement:	Single
Code for shaft seal:	HQQV
Approvals on nameplate:	CURUS
Curve tolerance:	ISO9906:2012 3B
Pump version:	A
Model:	A
Cooling:	TEFC
Materials:	
Base:	Stainless steel EN 1.4408 AISI 316
Impeller:	Stainless steel EN 1.4401 AISI 316
Material code:	A
Code for rubber:	V
Bearing:	SIC
Installation:	
Maximum ambient temperature:	104 °F
Maximum operating pressure:	363 psi
Max pressure at stated temperature:	363 psi / 194 °F 363 psi / -4 °F
Type of connection:	DIN / ANSI / JIS
Size of inlet connection:	DN 25/32
Size of suction port:	1 1/4 inch
Size of outlet connection:	DN 25/32
Size of outlet port:	1 1/4 inch
Pressure rating for pipe connection:	PN 25
Flange rating inlet:	300 lb
Flange size for motor:	56C
Connect code:	FGJ
Liquid:	
Pumped liquid:	Water
Liquid temperature range:	-4 .. 194 °F
Liquid temperature during operation:	68 °F
Density:	62.29 lb/ft³
Electrical data:	
Motor standard:	NEMA
Motor type:	Baldor
Rated power - P2:	2 HP
Power (P2) required by pump:	2 HP
Main frequency:	60 Hz
Rated voltage:	1 x 115/208-230 V





Company name:

Created by:

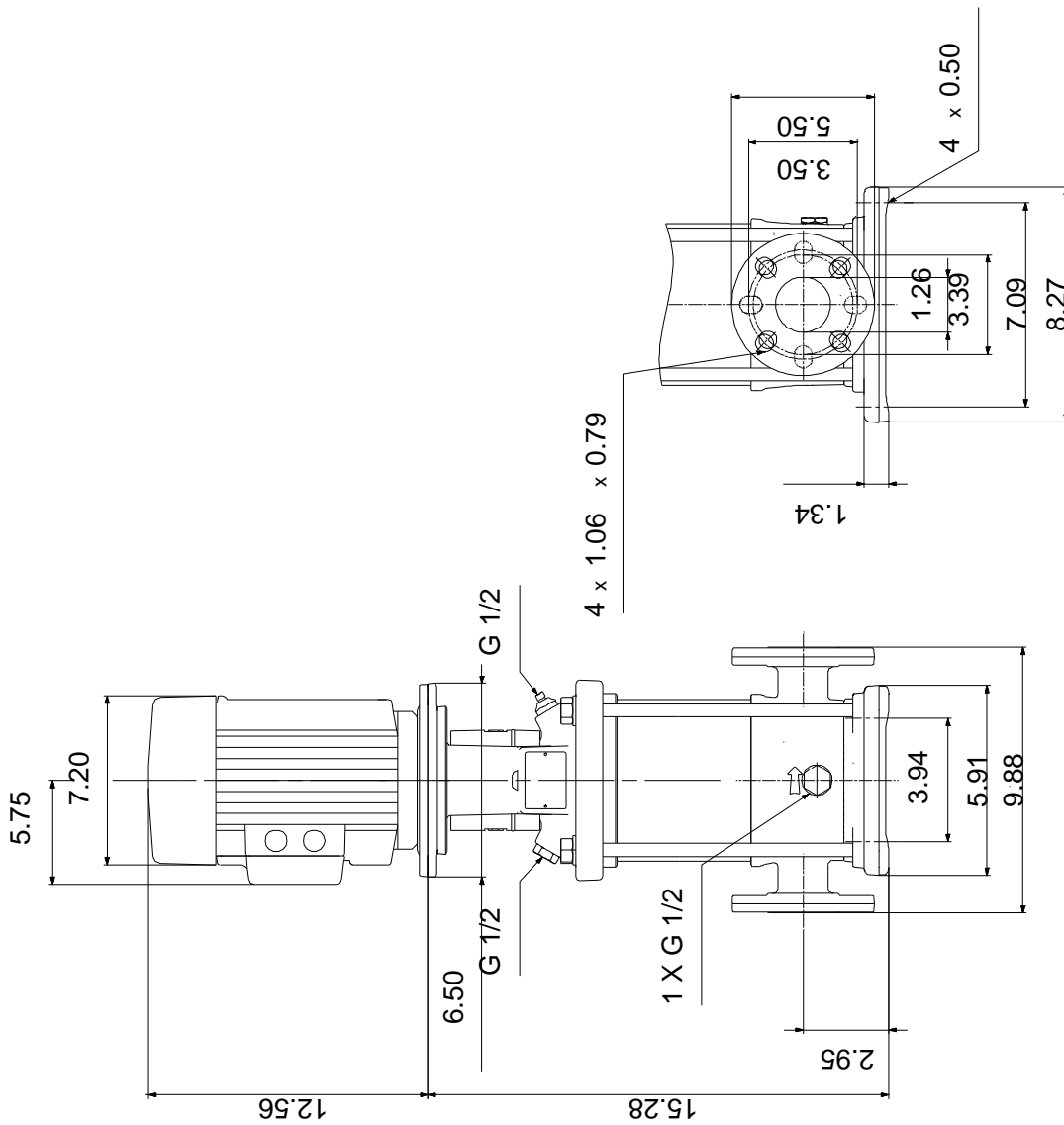
Phone:

Date:

3/14/2019

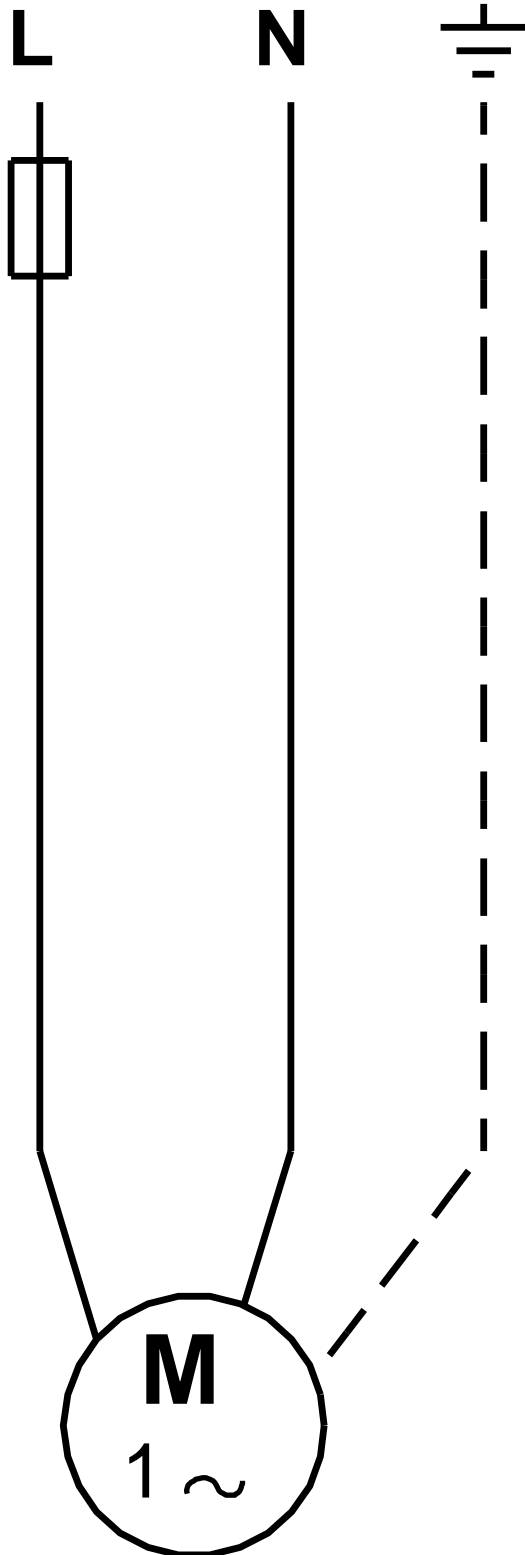
Description	Value
Service factor:	1.15
Rated current:	23,0/12,7-11,5 A
Load current:	25.4/12.7 A
Rated speed:	3450 rpm
Number of poles:	2
Insulation class (IEC 85):	F
Motor protection:	NONE
Motor Number:	84Z04010
Controls:	
Frequency converter:	NONE
Others:	
Net weight:	87.6 lb
Gross weight:	98.7 lb
Shipping volume:	6.11 ft ³
Country of origin:	US
Custom tariff no.:	8413.70.2040

97766472 CRN 5-5 A-FGJ-A-V-HQQV 60 Hz



Note! All units are in [mm] unless otherwise stated.
Disclaimer: This simplified dimensional drawing does not show all details.

97766472 CRN 5-5 A-FGJ-A-V-HQQV 60 Hz



All units are [mm] unless otherwise presented.