

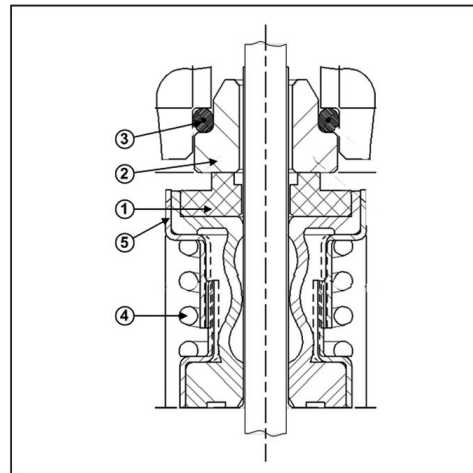
Customer	Date	05.03.2019
Contact	Project	
Phone number	Project no.	
Email		

1ST1G2A4

Operating Data		End Suction Pumps	Fluid	Water
Pump type			Operating temperature t A	°F 39.2
No. of pumps / Reserve	1 / 0		pH-value at t A	7
Nominal flow	US g.p.m. 0		Density at t A	lb/ft ³ 62.4
Nominal head	ft 0		Kin. viscosity at t A	ft ² /s 1.689E-5
Static head	ft 0		Vapor pressure at t A	psi 14.5
Inlet pressure	psi 0		Solids	0
Environmental temperature	°F 68		Altitude	ft 0
Available system NPSH	ft 0			

Pump Data				
Make	Goulds Water Technology	Nominal	US g.p.m.	()
Speed	rpm 3500	Flow	Max- US g.p.m.	49.3
Number of stages	1		Min- US g.p.m.	
Max. casing pressure	psi		Nominal	ft
Max. working pressure	psi 67.6	Head	at Qmax	ft 97.7
Head H(Q=0)	ft 160		at Qmin	ft 155.9
Weight	lb On demand	Shaft power	hp	()
	Max. inch 6 1/8	Max. shaft power	hp	2.5
Impeller R	designed inch 6 1/8	Efficiency	%	
	Min. inch 4 7/16	NPSH 3%2525	ft	

Shaft Seal		
Type 21 NPE	John Crane	
NPE Mechanical Seal		
1 - Rotating Face	Carbon	
2 - Stationary Face	Silicon Carbide	
3 - Elastomers	Viton	
4 - Metal Components	ALSI 316 SS	



Motor Data							
Manufacturer	Bluffton	Electric voltage	208 V	Speed	3500 rpm	Insulation class	B
Specific design	3ph ODP			Frame size	56J	Colour	RAL 5010
Type	E08C32E1EB3G	Electric current	0 A				
Rated power	2 hp	Degree of protection	IP 55				

Remarks:

Customer	Date	05.03.2019
Contact	Project	
Phone number	Project no.	
Email		

1ST1G2A4

Pump Materials

100-Casing	AISI 316L SS
101-Impeller	AISI 316L SS
108-Axis seal	AISI 316L SS
108-Axis seal vent/flush	AISI 316L SS
123-Deflector	BUNA-N
184-Axis seal vent/flush	AISI 316L SS
184-Axis seal vent/flush	AISI 316L SS
347-Guide vane	AISI 316L SS
370-Seal in head eye, casing	Viton
371-Bolts, motor	AISI 410 SS
405-Drum and nut plug casing	Plated Steel
405-Drum and nut plug casing	AISI 316L SS
510-NEA casing	Viton
510-NEA casing, 56J flange	Viton
	-

Remarks:

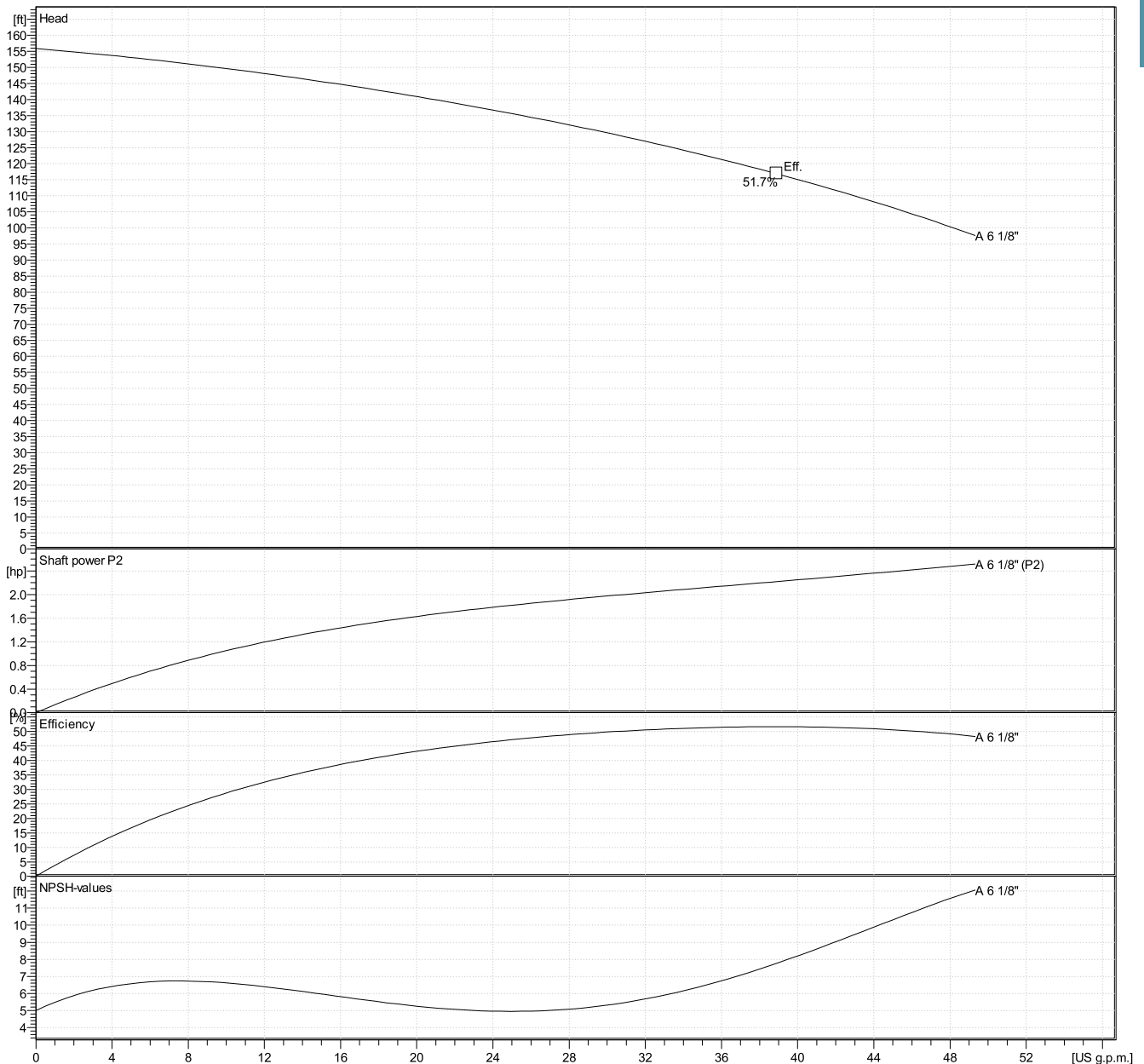
Customer	Date	05.03.2019
Contact	Project	
Phone number	Project no.	
Email		

1ST1G2A4

Hydraulic Data

Operating Data Specification	Hydraulic data (duty point)	Impeller design
Flow 0 US g.p.m.	Flow	Impeller R 6 1/8"
Head 0 ft	Head	Frequency 60 Hz
Static head 0 ft		Speed 3500 rpm

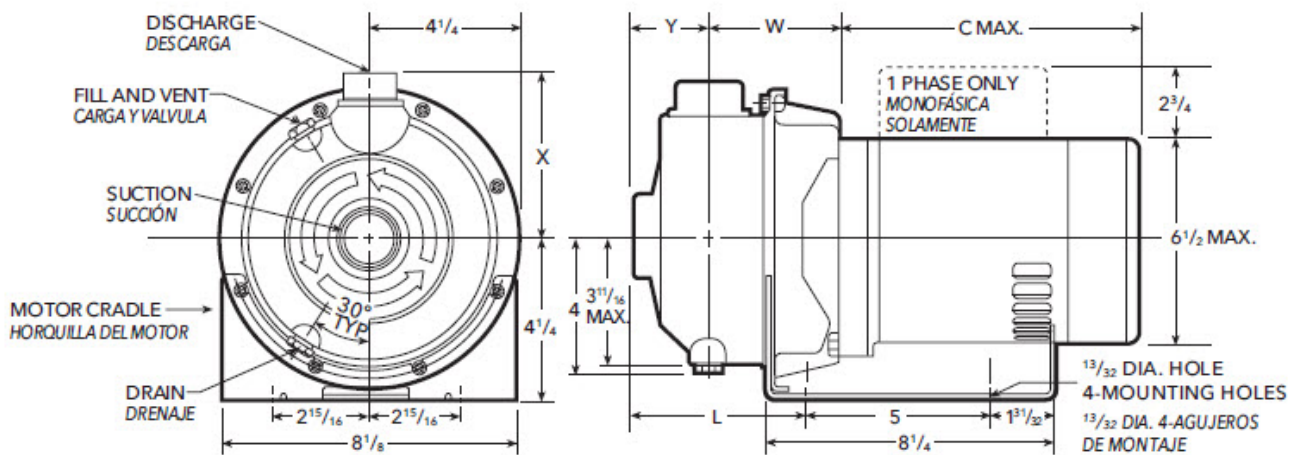
Power data referred to:
 Water [100%] ; 39.2°F; 62.4lb/ft³; 1.69E-5ft²/s
 Performance according to ISO 9906 - Annex A



Customer	Date	05.03.2019
Contact	Project	
Phone number	Project no.	
Email		

1ST1G2A4

Drawing



Dimensions inch

C Max	12 ^{11/16}					Weight On demand [Ⓟ]
Discharge	1					
L	4 ^{9/16}					
Suction	1 ^{1/4}					
W	3 ^{9/16}					
X	4 ^{3/8}					
Y	2					