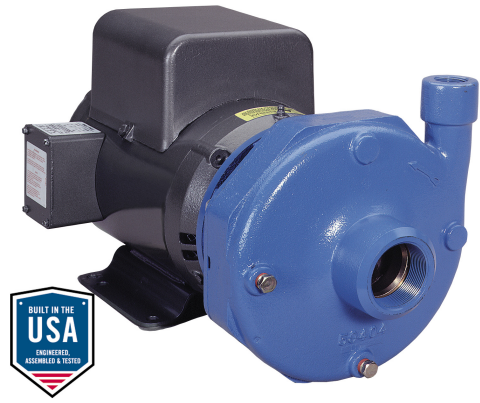


Customer	Date	3/20/2019
Contact	Project	
Phone number	Project no.	
Email		



4BF1J4J0

Operating Data

Pump type	Fluid	Water
No. of pumps / Reserve	Operating temperature t A	°F 39.2
Nominal flow US g.p.m.	pH-value at t A	7
Nominal head ft	Density at t A	lb/ft³ 62.4
Static head ft	Kin. viscosity at t A	ft²/s 1.689E-5
Inlet pressure psi	Vapor pressure at t A	psi 14.5
Environmental temperature °F	Solids	0
Available system NPSH ft	Altitude	ft 0

Pump Data

Make	Goulds Water Technology	Nominal	US g.p.m.	()
Speed	rpm 3600	Flow	Max-	US g.p.m. 212.3
Number of stages	1		Min-	US g.p.m.
Max. casing pressure	psi		Nominal	ft
Max. working pressure	psi 32.9	Head	at Qmax	ft 57.5
Head H(Q=0)	ft 76		at Qmin	ft 75.9
Weight	lb 147	Shaft power	hp	()
	Max. inch 7 1/16	Max. shaft power	hp	5
Impeller R	designed inch 4 1/2	Efficiency	%	
	Min. inch 4 1/16	NPSH 3%2525	ft	

Shaft Seal

Type	21	Xylem
	(10K13) Car/Cer/Buna	[Max Temp. 212°F/100°C] (Std.)
Rotary		Carbon
Stationary		Ceramic
Elastomers		Buna-N
Metal Parts		316 SS
Application		General Use, Clean Water to 212°F/100°C, Non-Fluctuating Temp

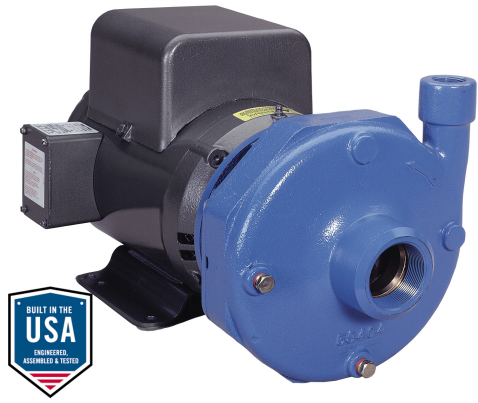
Motor Data

Specific design	1ph TEFC	Speed	3500 rpm	Insulation class	F
Electric voltage	230 V	Frame size	184JM	Colour	RAL 5010
Type	230V 184JM (C10722)	Degree of protection	IP 55		
Rated power	5 hp	Electric current	21 A		

Remarks:

Customer	Date	3/20/2019
Contact	Project	
Phone number	Project no.	
Email		

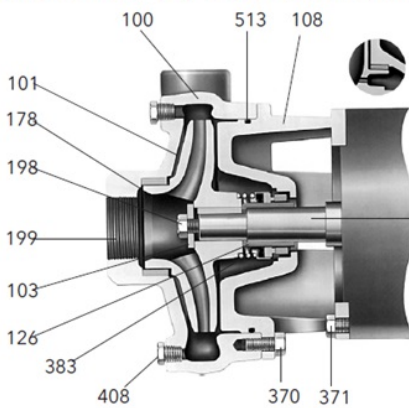
4BF1J4J0



Pump Materials

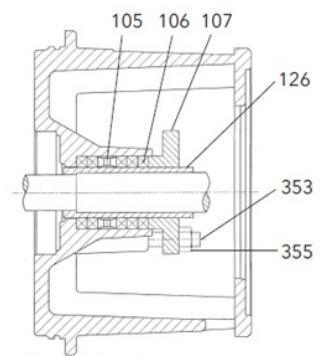
100 - Casing	Gray cast iron ASTM A48 CL20B
101 - Impeller	Silicon bronze ASTM B584, C87500
103 - Casing wear ring	Bismuth brass
108 - Adapter	Cast iron ASTM A48 CL30
184 - Seal housing (One piece with adapter)	Cast iron ASTM A48 CL30
198 - Impeller bolt	AISI Type 300 series stainless steel
199 - Impeller washer	AISI Type 300 series stainless steel
178 - Impeller key	Carbon Steel
370 - Hex head cap screw (adapter to case)	Steel SAE 1200 Grade 5
371 - Hex head cap screw (adapter to motor)	Steel SAE 1200 Grade 5
383 - Mechanical seal	See seal chart
408 - Pipe plug 1/4" or 3/8"	Steel
513 - O-ring	BUNA-N

3656 S-GROUP MATERIALS OF CONSTRUCTION MATERIALES DE CONSTRUCCIÓN - GRUPO S, MODELO 3756



Back wearing ring on S-Group
(2½ x 3 - 7) only
*Anillo de desgaste posterior en el
Grupo S (2½ x 3 - 7) únicamente.*

AISI 1045 steel motor shaft
extension (typical)
*Extensión del eje del motor
de acero AISI 1045 (típico)*



Packed Box Arrangement
Caja prensaestopas

Remarks:



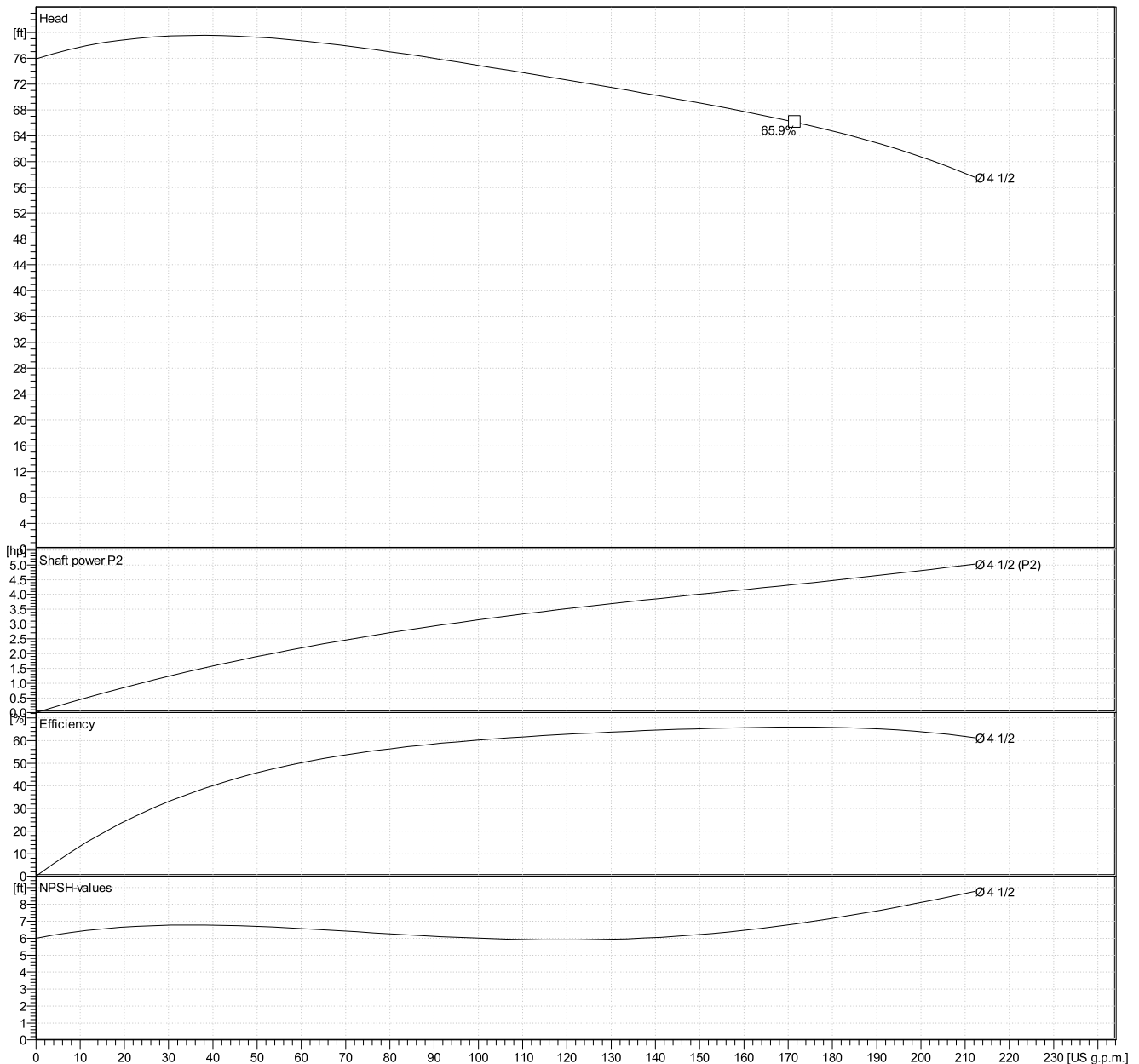
Customer	
Contact	3/20/2019
Phone number	
Email	
Date	3/20/2019
Project	
Project no.	

4BF1J4J0

Hydraulic Data

Operating Data Specification		Hydraulic data (duty point)		Impeller design	
Flow	0 US g.p.m.	Flow		Impeller R	4 1/2"
Head	0 ft	Head		Frequency	60 Hz
Static head	0 ft			Speed	3600 rpm

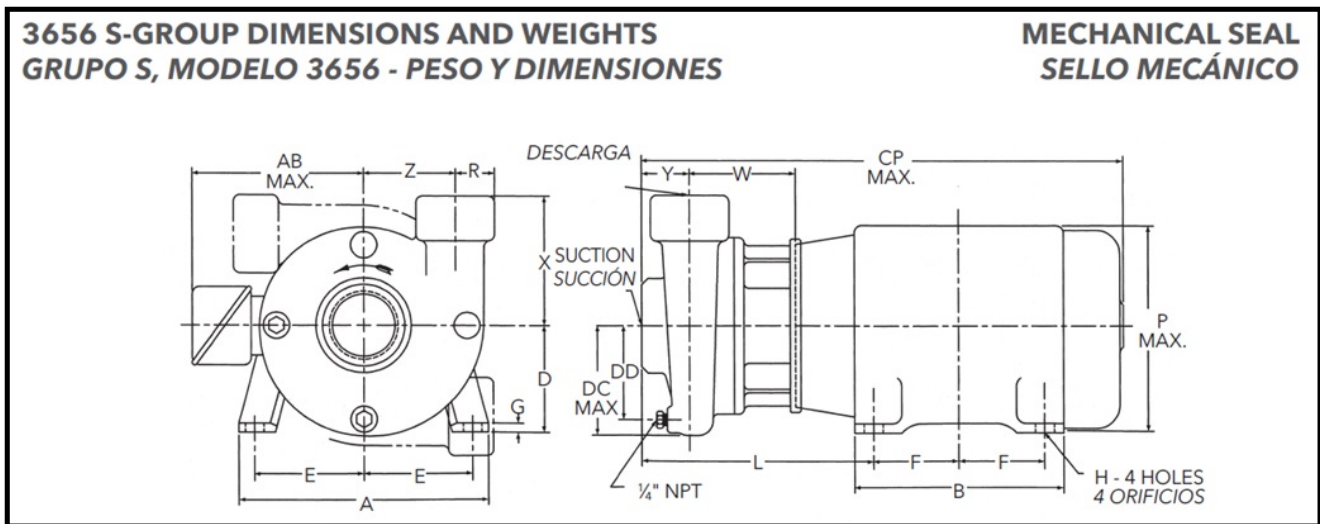
Power data referred to:
Water [100%] ; 39.2°F; 62.4lb/ft³; 1.69E-5ft²/s
Performance according to ISO 9906 - Annex A



Customer	Date	3/20/2019
Contact	Project	
Phone number	Project no.	
Email		

4BF1J4J0

Drawing



Dimensions inch

A	$8\frac{11}{16}$	F	$2\frac{3}{4}$	Y	3	Weight 147 lb
AB Max.	$7\frac{1}{2}$	G	$\frac{3}{8}$	Z	4	
B	$6\frac{1}{2}$	H	$\frac{7}{16}$			
CP Max.	$25\frac{9}{16}$	L	$10\frac{3}{4}$			
D	$4\frac{1}{2}$	P Max.	$9\frac{9}{16}$			
DC Max.	$5\frac{1}{8}$	R	$1\frac{13}{16}$			
DD	$4\frac{1}{2}$	Suction (NPT)	3			
Discharge (NPT)	$2\frac{1}{2}$	W	$4\frac{1}{4}$			
E	$3\frac{3}{4}$	X	6			