

Customer	Date	3/29/2019
Contact	Project	
Phone number	Project no.	
Email		

WS5034D3

Operating Data

Pump type	Sewage	Fluid	Water
No. of pumps / Reserve	1 / 0	Operating temperature t A	°F 39.2
Nominal flow	US g.p.m. 0	pH-value at t A	7
Nominal head	ft 0	Density at t A	lb/ft ³ 62.4
Static head	ft 0	Kin. viscosity at t A	ft ² /s 1.689E-5
Inlet pressure	psi 0	Vapor pressure at t A	psi 14.5
Environmental temperature	°F 68	Solids	0
Available system NPSH	ft 0	Altitude	ft 0

Pump Data

Make	Goulds Water Technology	Nominal	US g.p.m. ()
Speed	rpm 1750	Flow	Max- US g.p.m. 468.1
Number of stages	1		Min- US g.p.m.
Max. casing pressure	psi		Nominal ft
Max. working pressure	psi 27.9	Head	at Qmax ft 14.2
Head H(Q=0)	ft 64		at Qmin ft 64.3
Weight	lb 200	Shaft power	hp ()
	Max. inch 8	Max. shaft power	hp 4.1
Impeller R	designed inch 8	Efficiency	%
	Min. inch 5 1/4	NPSH 3%2525	ft

Shaft Seal

3888	Sewage
3888 Mechanical Seal	
1 - Rotating (Upper)	Carbon
2 - Stationary (Upper)	Ceramic
3 - Elastomers (Upper)	BUNA
4 - Metal Components (Upper)	Stainless Steel
5 - Rotating (Lower)	Silicon Carbide
6 - Stationary (Lower)	Silicon Carbide
7 - Elastomers (Lower)	BUNA
8 - Metal Components (Lower)	Stainless Steel

Motor Data

Manufacturer	Bluffton	Electric voltage	460 V	Speed	1750 rpm	Insulation class	B
Specific design	3ph	Electric current	8.2 A	Frame size	56	Colour	RAL 5010
Type	114-92 19 (5HP/230-460V)D3						
Rated power	5 hp	Degree of protection	IP 55				

Remarks:

Customer	Date	3/29/2019
Contact	Project	
Phone number	Project no.	
Email		

WS5034D3

Pump Materials

100 - Casing	Cast Iron
101 - Impeller	Cast Iron
112A - Lower Ball Bearing	Steel
112B - Upper Ball Bearing	Steel
131 - Pump Leg - Standard	Steel
132 - Eye Bolt	Galvanized Steel
178 - Impeller Key	AISI 300 SS
184 - Seal Housing	Cast Iron
198 - Impeller Bolt	17-4PH SS
199 - Impeller Washer	AISI 300 SS
218 - Insulating Turbine Oil	Turbine Oil - ASTM 150
338 - Motor	Stainless Steel Shaft
340 - Bearing Housing	Cast Iron
341 - Motor Cover	Cast Iron
352 - Hex Cap Screw-Seal Housing to Bearing Housing	AISI 300 SS
358 - Plug – Seal Housing ¼" NPT	AISI 300 SS
358E - Plug – Motor Cover ½" NPT	AISI 300 SS
361 - Retaining Ring	AISI 300 SS
372D - Hex Screw – Brg. Hsg. to Cover/Seal Hsg. to Casing	AISI 300 SS
376 - Capacitor, Run (1 Phase only)	Varies
412M - O-Ring – Bearing Housing to Motor Cover	BUNA-N, AS568A-374

Remarks:

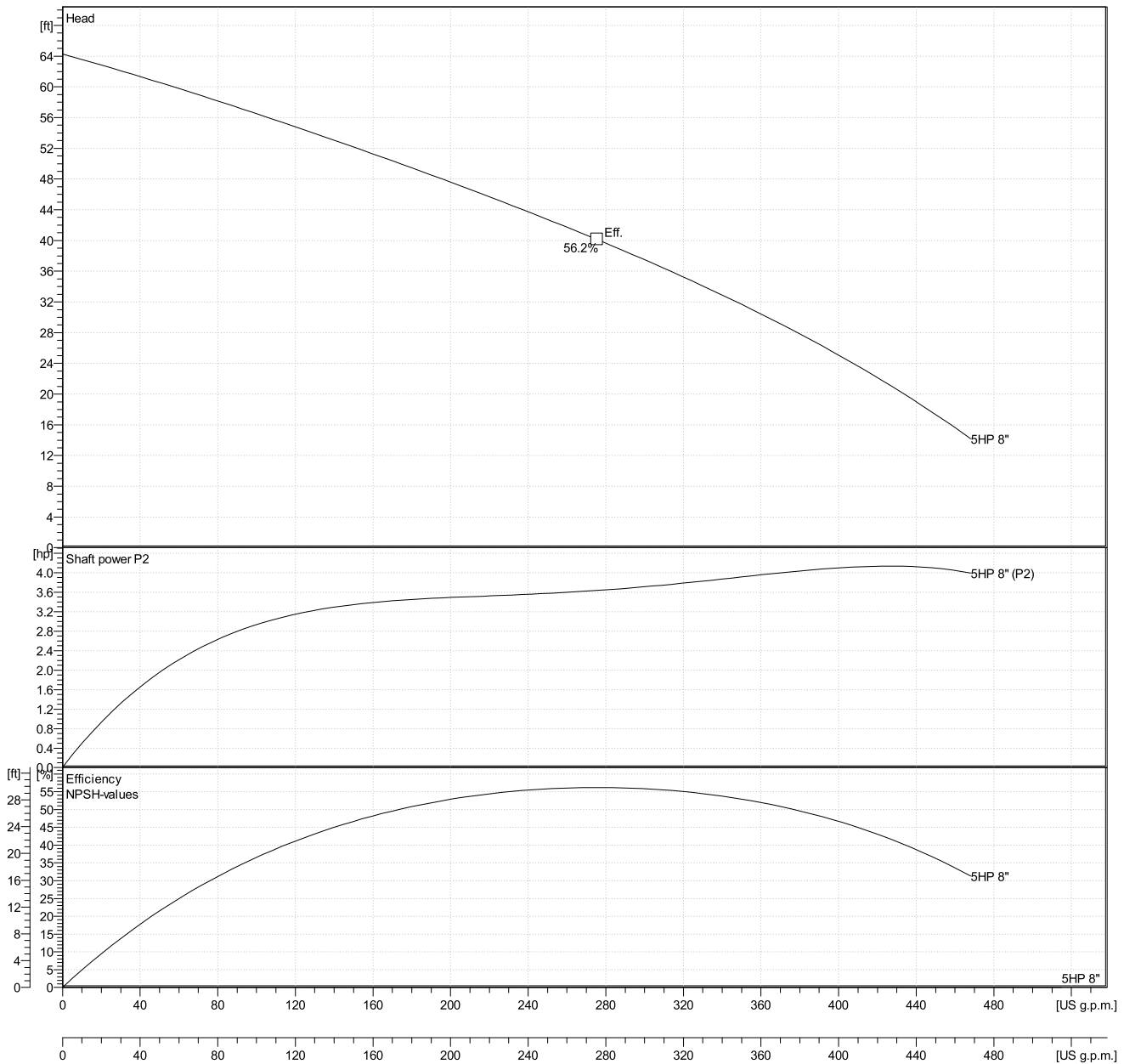
Customer	Date	3/29/2019
Contact	Project	
Phone number	Project no.	
Email		

WS5034D3

Hydraulic Data

Operating Data Specification		Hydraulic data (duty point)		Impeller design	
Flow	0 US g.p.m.	Flow		Impeller R	8"
Head	0 ft	Head		Frequency	60 Hz
Static head	0 ft			Speed	1750 rpm

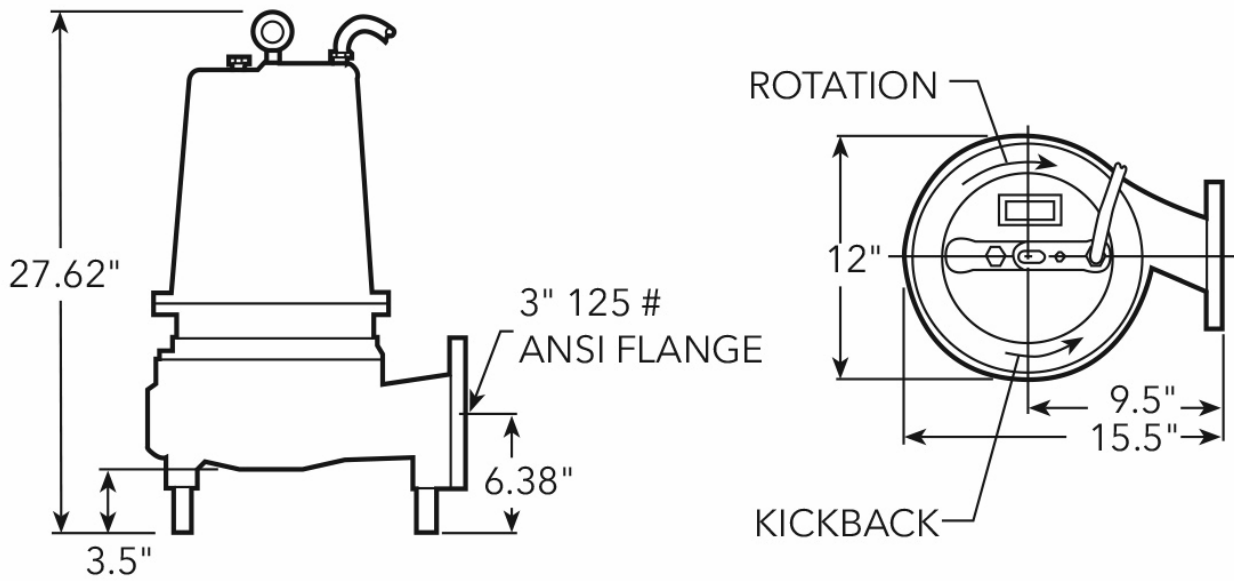
Power data referred to:
 Water [100%] ; 39.2°F; 62.4lb/ft³; 1.69E-5ft²/s
 Performance according to ISO 9906 - Annex A



Customer	Date	3/29/2019
Contact	Project	
Phone number	Project no.	
Email		

WS5034D3

Drawing



Dimensions inch

Discharge	3						Weight
							200 lb