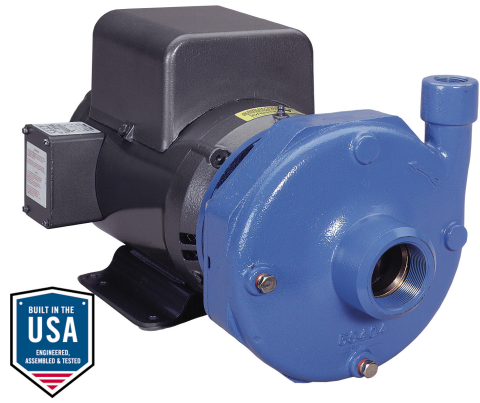


Customer	Date	3/20/2019
Contact	Project	
Phone number	Project no.	
Email		



## 3BF1J4B0

### Operating Data

Pump type	Fluid	Water
No. of pumps / Reserve	Operating temperature t A	°F 39.2
Nominal flow US g.p.m.	pH-value at t A	7
Nominal head ft	Density at t A	lb/ft <sup>3</sup> 62.4
Static head ft	Kin. viscosity at t A	ft <sup>2</sup> /s 1.689E-5
Inlet pressure psi	Vapor pressure at t A	psi 14.5
Environmental temperature °F	Solids	0
Available system NPSH ft	Altitude	ft 0

### Pump Data

Make	Goulds Water Technology	Nominal	US g.p.m.	( )
Speed	rpm 3600	Flow	Max-	US g.p.m. 173.4
Number of stages	1		Min-	US g.p.m.
Max. casing pressure	psi		Nominal	ft
Max. working pressure	psi 57.9	Head	at Qmax	ft 51.3
Head H(Q=0)	ft 130		at Qmin	ft 133.6
Weight	lb 132	Shaft power	hp	( )
	Max. inch 5 15/16	Max. shaft power	hp	4.7
Impeller R	designed inch 5 5/8	Efficiency	%	
	Min. inch 4 3/4	NPSH 3%2525	ft	

### Shaft Seal

Type 21	Xylem
(10K13) Car/Cer/Buna [Max Temp. 212°F/100°C] (Std.)	
Rotary	Carbon
Stationary	Ceramic
Elastomers	Buna-N
Metal Parts	316 SS
Application	General Use, Clean Water to 212°F/100°C, Non-Fluctuating Temp

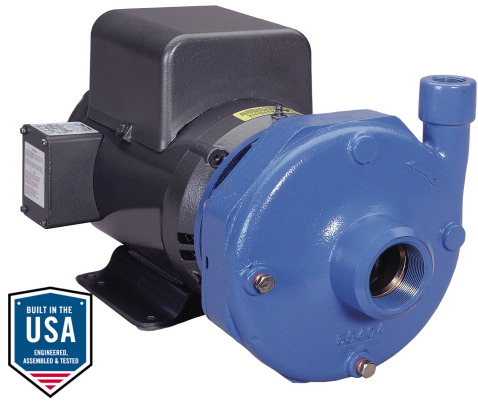
### Motor Data

Specific design	1ph TEFC	Speed	3500 rpm	Insulation class	F
Electric voltage	230 V	Frame size	184JM	Colour	RAL 5010
Type	230V 184JM (C10722)	Degree of protection	IP 55		
Rated power	5 hp	Electric current	21 A		

### Remarks:

Customer	Date	3/20/2019
Contact	Project	
Phone number	Project no.	
Email		

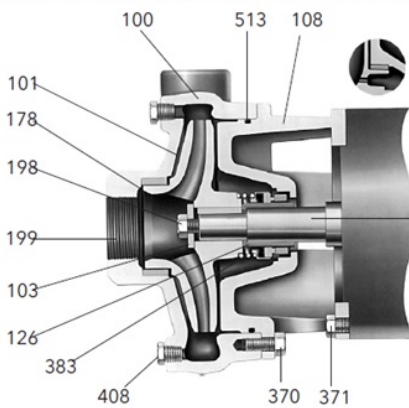
# 3BF1J4B0



## Pump Materials

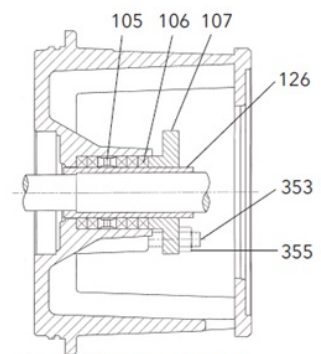
100 - Casing	Gray cast iron ASTM A48 CL20B
101 - Impeller	Silicon bronze ASTM B584, C87500
103 - Casing wear ring	Bismuth brass
108 - Adapter	Cast iron ASTM A48 CL30
184 - Seal housing (One piece with adapter)	Cast iron ASTM A48 CL30
198 - Impeller bolt	AISI Type 300 series stainless steel
199 - Impeller washer	AISI Type 300 series stainless steel
178 - Impeller key	Carbon Steel
370 - Hex head cap screw (adapter to case)	Steel SAE 1200 Grade 5
371 - Hex head cap screw (adapter to motor)	Steel SAE 1200 Grade 5
383 - Mechanical seal	See seal chart
408 - Pipe plug 1/4" or 3/8"	Steel
513 - O-ring	BUNA-N

### 3656 S-GROUP MATERIALS OF CONSTRUCTION MATERIALES DE CONSTRUCCIÓN - GRUPO S, MODELO 3756



Back wearing ring on S-Group  
(2½ x 3 - 7) only  
*Anillo de desgaste posterior en el  
Grupo S (2½ x 3 - 7) únicamente.*

AISI 1045 steel motor shaft  
extension (typical)  
*Extensión del eje del motor  
de acero AISI 1045 (típico)*



Packed Box Arrangement  
*Caja prensaestopas*

Remarks:



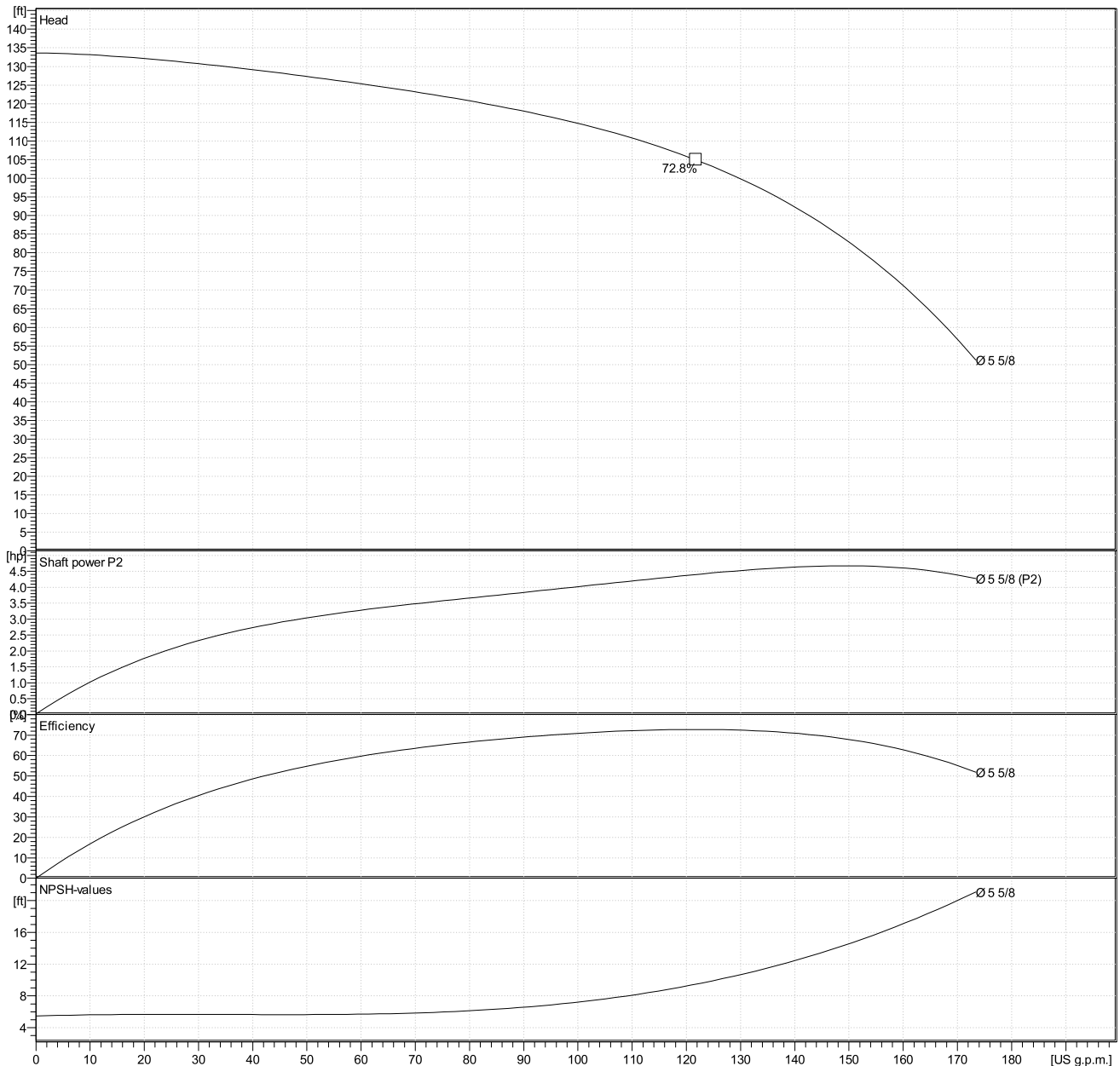
Customer	
Contact	3/20/2019
Phone number	
Email	
Date	3/20/2019
Project	
Project no.	

## 3BF1J4B0

### Hydraulic Data

Operating Data Specification		Hydraulic data (duty point)		Impeller design	
Flow	0 US g.p.m.	Flow		Impeller R	5 <sup>5</sup> / <sub>8</sub> "
Head	0 ft	Head		Frequency	60 Hz
Static head	0 ft			Speed	3600 rpm

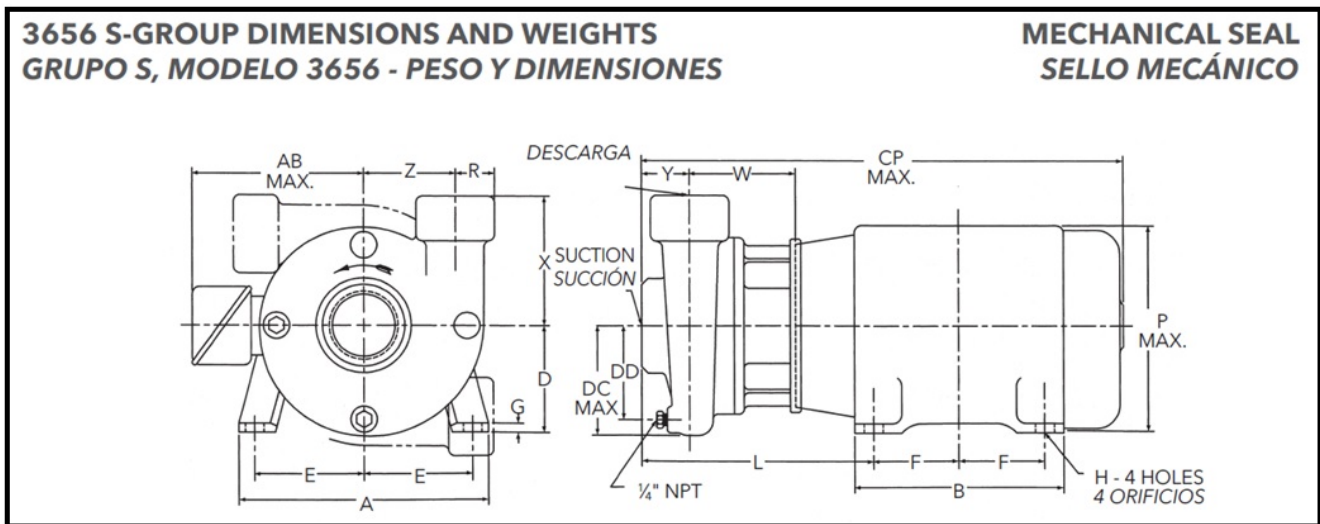
Power data referred to:  
Water [100%] ; 39.2°F; 62.4lb/ft<sup>3</sup>; 1.69E-5ft<sup>2</sup>/s  
Performance according to ISO 9906 - Annex A



Customer	Date	3/20/2019
Contact	Project	
Phone number	Project no.	
Email		

### 3BF1J4B0

#### Drawing



#### Dimensions inch

A	$8\frac{11}{16}$	F	$2\frac{3}{4}$	Y	$2\frac{5}{8}$	Weight 132 lb
AB Max.	$7\frac{1}{2}$	G	$\frac{3}{8}$	Z	$3\frac{1}{2}$	
B	$6\frac{1}{2}$	H	$\frac{7}{16}$			
CP Max.	$24\frac{1}{2}$	L	$10\frac{3}{8}$			
D	$4\frac{1}{2}$	P Max.	$9\frac{9}{16}$			
DC Max.	$4\frac{1}{4}$	R	$1\frac{1}{4}$			
DD	$3\frac{1}{2}$	Suction (NPT)	2			
Discharge (NPT)	$1\frac{1}{2}$	W	$4\frac{1}{4}$			
E	$3\frac{3}{4}$	X	$4\frac{1}{2}$			