

| Count | Description  |
|-------|--|
| 1     | <p data-bbox="225 338 523 367"><b>CRI 1S-7A-CA-A-E-HQQE</b></p>  <p data-bbox="619 770 1070 797">Product photo could vary from the actual product</p> <p data-bbox="225 801 491 831">Product No.: <a href="#">96081220</a></p> <p data-bbox="225 835 748 920">Vertical, non-self-priming, multistage, in-line, centrifugal pump for installation in pipe systems and mounting on a foundation.</p> <p data-bbox="225 952 703 981">The pump has the following characteristics:</p> <ul data-bbox="264 983 783 1160" style="list-style-type: none"> <li>- Impellers, intermediate chambers and outer sleeve are made of</li> <li>- Pump head cover and base are made of</li> <li>- The shaft seal has assembly length according to EN 12756.</li> <li>- Power transmission is via cast iron split coupling.</li> </ul> <p data-bbox="225 1189 424 1218">flanges/couplings.</p> <p data-bbox="225 1247 600 1276">The motor is a 1-phase AC motor.</p> <p data-bbox="225 1308 336 1337"><b>Controls:</b></p> <p data-bbox="225 1339 660 1368">Frequency converter: NONE</p> <p data-bbox="225 1397 309 1426"><b>Liquid:</b></p> <p data-bbox="225 1429 715 1547">Pumped liquid: Water<br/>Liquid temperature range: -4 .. 248 °F<br/>Selected liquid temperature: 68 °F<br/>Density: 62.29 lb/ft³</p> <p data-bbox="225 1576 347 1606"><b>Technical:</b></p> <p data-bbox="225 1608 788 1843">Rated pump speed: 3443 rpm<br/>Rated flow: 4.84 US gpm<br/>Rated head: 130.6 ft<br/>Pump orientation: Vertical<br/>Shaft seal arrangement: Single<br/>Code for shaft seal: HQQE<br/>Approvals on nameplate: CURUS,NSF61<br/>Curve tolerance: ISO9906:2012 3B</p> <p data-bbox="225 1872 341 1901"><b>Materials:</b></p> <p data-bbox="225 1904 751 2107">Base: Stainless steel<br/>EN 1.4408<br/>AISI 316<br/>Impeller: Stainless steel<br/>EN 1.4301<br/>AISI 304<br/>Bearing: SIC</p> |



Company name: pfc equipment

Created by:

Phone:

Date: 4/18/2019

| Count | Description   |
|-------|---|
|       | <p><b>Installation:</b><br/>Maximum ambient temperature: 104 °F<br/>Maximum operating pressure: 362.59 psi<br/>Max pressure at stated temperature: 363 psi / 250 °F<br/>363 psi / -4 °F</p> <p>Type of connection: FlexiClamp<br/>Size of inlet connection: DN 32<br/>Size of suction port: 1 1/4 inch<br/>Size of outlet connection: DN 32<br/>Size of outlet port: 1 1/4 inch<br/>Pressure rating for pipe connection: PN 25<br/>Flange size for motor: 56C</p> <p><b>Electrical data:</b><br/>Motor standard: NEMA<br/>Motor type: Baldor<br/>Rated power - P2: 0.5 HP<br/>Power (P2) required by pump: 0.5 HP<br/>Main frequency: 60 Hz<br/>Rated voltage: 1 x 115/230 V<br/>Service factor: 1.60<br/>Rated current: 7.4/3.7 A<br/>Rated speed: 3450 rpm<br/>Number of poles: 2<br/>Enclosure class (IEC 34-5): 54 Dust/Splashing<br/>Insulation class (IEC 85): B<br/>Motor Number: 85700002</p> <p><b>Others:</b><br/>Net weight: 51.7 lb<br/>Gross weight: 62.7 lb<br/>Shipping volume: 4.94 ft³<br/>Country of origin: US<br/>Custom tariff no.: 8413.70.2040</p> |



Company name: pfc equipment

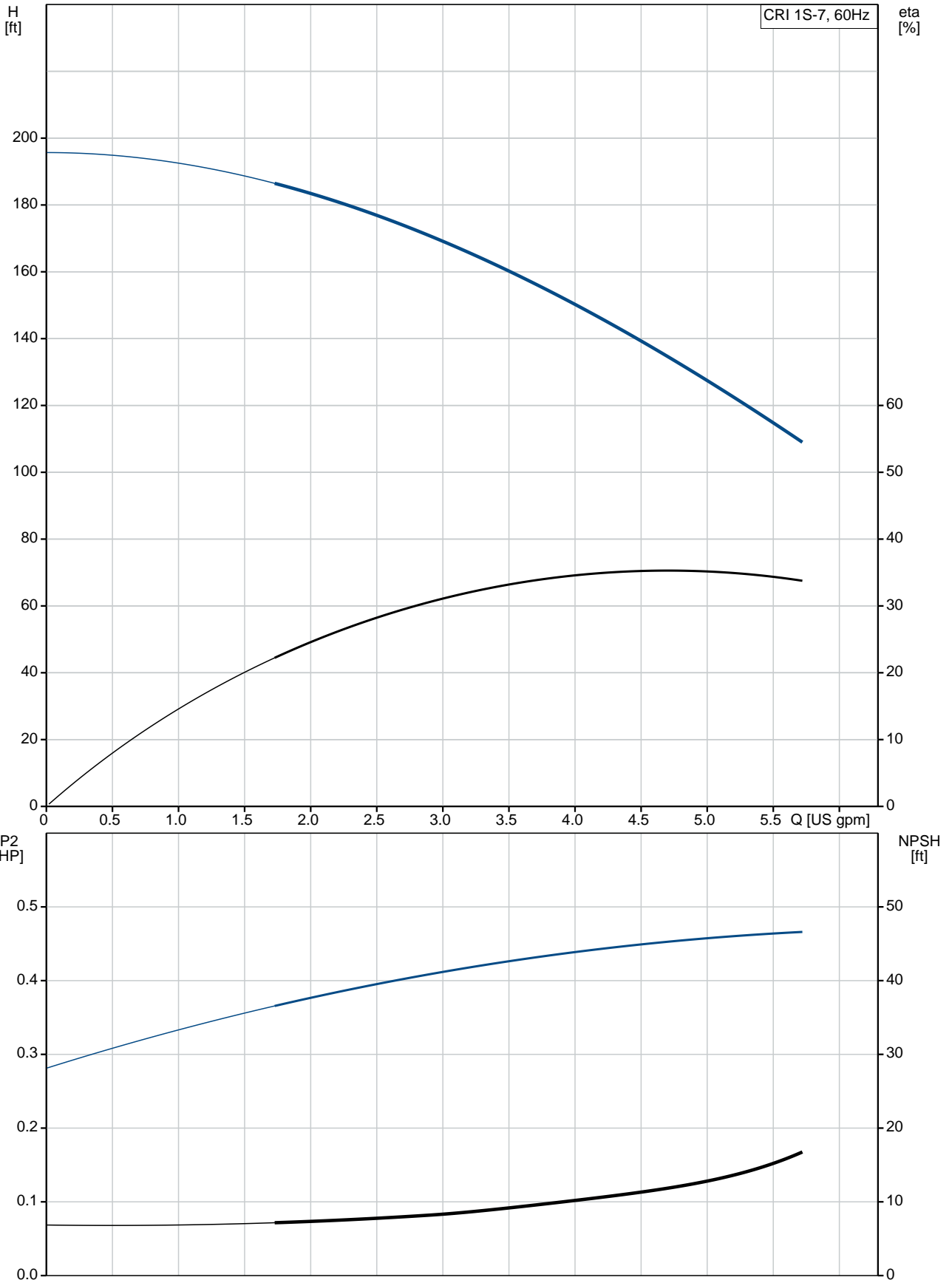
Created by:

Phone:

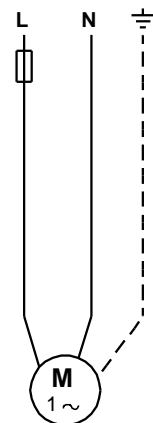
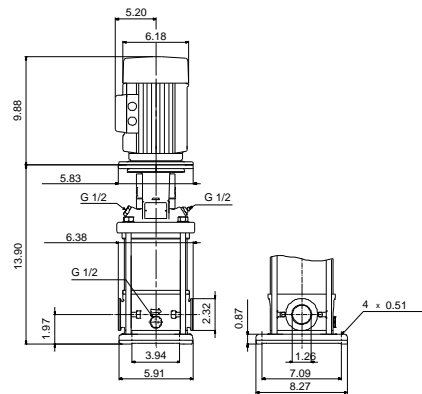
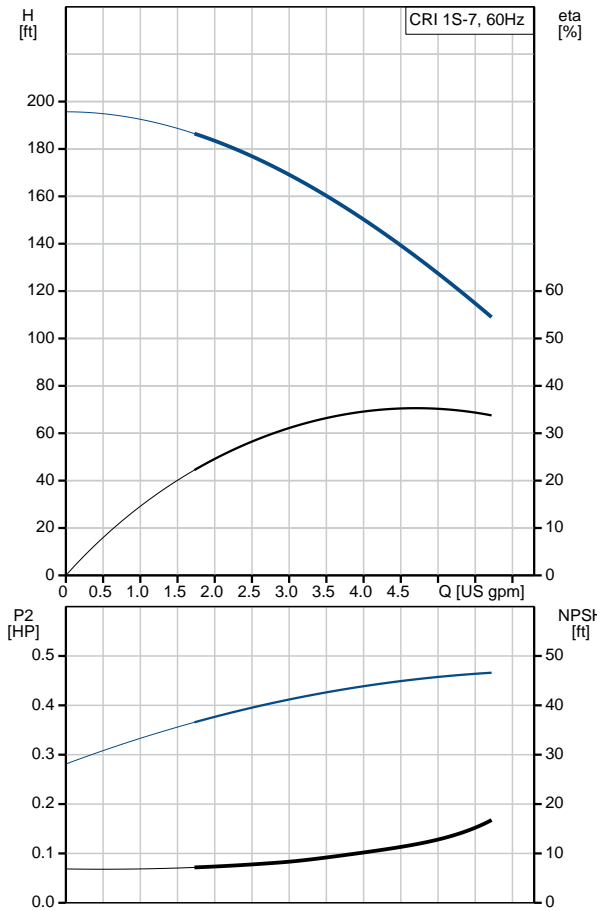
Date:

4/18/2019

### 96081220 CRI 1S-7A-CA-A-E-HQQE 60 Hz



| Description                           | Value                                    |
|---------------------------------------|--|
| <b>General information:</b>           |  |
| Product name:                         | CRI 1S-7A-CA-A-E-HQQE                    |
| Product No.:                          | 96081220                                 |
| EAN:                                  | 5700395164268                            |
| <b>Technical:</b>                     |  |
| Rated pump speed:                     | 3443 rpm                                 |
| Rated flow:                           | 4.84 US gpm                              |
| Rated head:                           | 130.6 ft                                 |
| Head max:                             | 194.2 ft                                 |
| Stages:                               | 7  |
| Impellers:                            | 7  |
| Number of reduced-diameter impellers: | 0  |
| Low NPSH:                             | N  |
| Pump orientation:                     | Vertical                                 |
| Shaft seal arrangement:               | Single                                   |
| Code for shaft seal:                  | HQQE                                     |
| Approvals on nameplate:               | CURUS,NSF61                              |
| Curve tolerance:                      | ISO9906:2012 3B                          |
| Pump version:                         | A  |
| Model:                                | A  |
| Cooling:                              | TEFC                                     |
| <b>Materials:</b>                     |  |
| Base:                                 | Stainless steel<br>EN 1.4408<br>AISI 316 |
| Impeller:                             | Stainless steel<br>EN 1.4301<br>AISI 304 |
| Material code:                        | A  |
| Code for rubber:                      | E  |
| Bearing:                              | SIC                                      |
| <b>Installation:</b>                  |  |
| Maximum ambient temperature:          | 104 °F                                   |
| Maximum operating pressure:           | 362.59 psi                               |
| Max pressure at stated temperature:   | 363 psi / 250 °F<br>363 psi / -4 °F      |
| Type of connection:                   | FlexiClamp                               |
| Size of inlet connection:             | DN 32                                    |
| Size of suction port:                 | 1 1/4 inch                               |
| Size of outlet connection:            | DN 32                                    |
| Size of outlet port:                  | 1 1/4 inch                               |
| Pressure rating for pipe connection:  | PN 25                                    |
| Flange size for motor:                | 56C                                      |
| Connect code:                         | CA                                       |
| <b>Liquid:</b>                        |  |
| Pumped liquid:                        | Water                                    |
| Liquid temperature range:             | -4 .. 248 °F                             |
| Selected liquid temperature:          | 68 °F                                    |
| Density:                              | 62.29 lb/ft <sup>3</sup>                 |
| <b>Electrical data:</b>               |  |
| Motor standard:                       | NEMA                                     |
| Motor type:                           | Baldor                                   |
| Rated power - P2:                     | 0.5 HP                                   |
| Power (P2) required by pump:          | 0.5 HP                                   |
| Main frequency:                       | 60 Hz                                    |
| Rated voltage:                        | 1 x 115/230 V                            |
| Service factor:                       | 1.60                                     |





Company name: pfc equipment

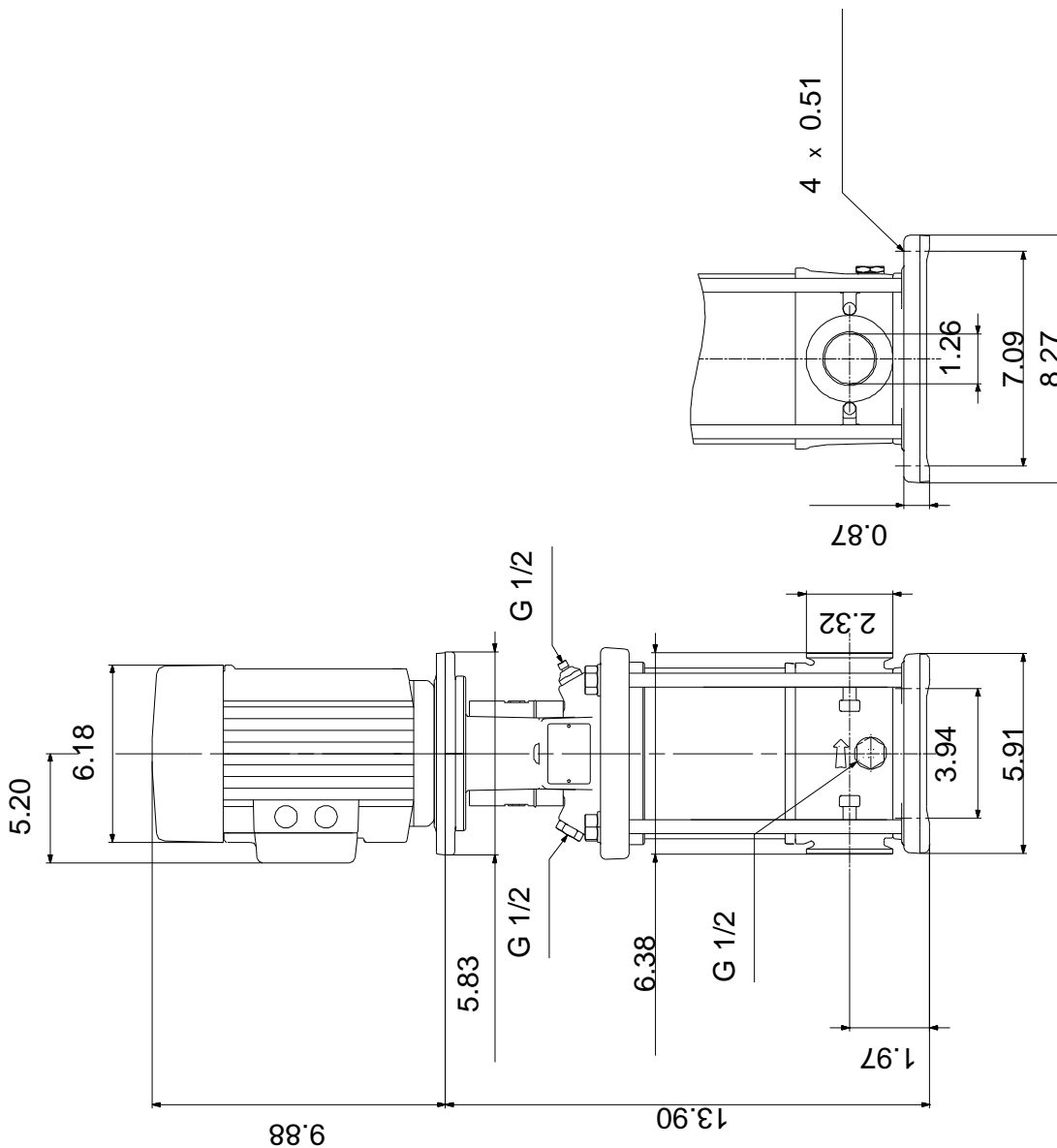
Created by:

Phone:

Date: 4/18/2019

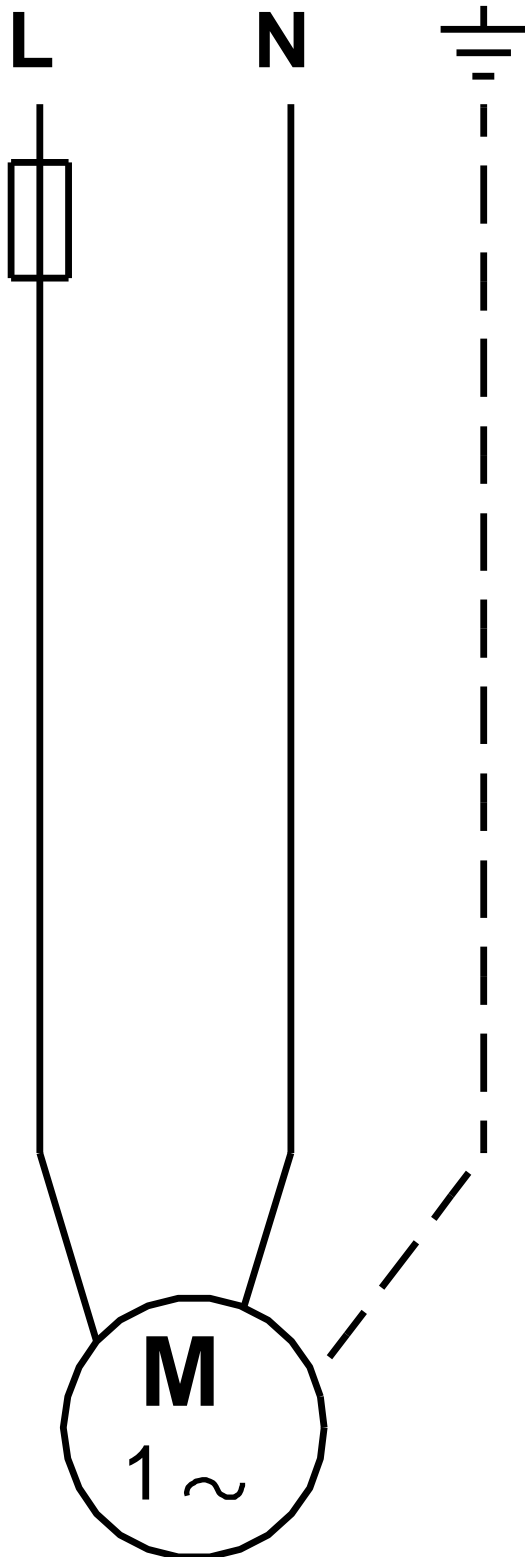
| Description                 | Value                |
|-----------------------------|----------------------|
| Rated current:              | 7.4/3.7 A            |
| Load current:               | 9.8/4.9 A            |
| Rated speed:                | 3450 rpm             |
| Number of poles:            | 2                    |
| Enclosure class (IEC 34-5): | 54 Dust/Splashing    |
| Insulation class (IEC 85):  | B                    |
| Motor Number:               | 85700002             |
| <b>Controls:</b>            |                      |
| Frequency converter:        | NONE                 |
| <b>Others:</b>              |                      |
| Net weight:                 | 51.7 lb              |
| Gross weight:               | 62.7 lb              |
| Shipping volume:            | 4.94 ft <sup>3</sup> |
| Country of origin:          | US                   |
| Custom tariff no.:          | 8413.70.2040         |

**96081220 CRI 1S-7A-CA-A-E-HQQE 60 Hz**



Note! All units are in [in] unless otherwise stated.  
 Disclaimer: This simplified dimensional drawing does not show all details.

**96081220 CRI 1S-7A-CA-A-E-HQQE 60 Hz**



All units are [in] unless otherwise presented.