


Count	Description
1	<p data-bbox="225 338 523 367"><b>CRI 1S-8A-CA-A-E-HQQE</b></p>  <p data-bbox="225 660 491 689">Product No.: <a href="#">96081223</a></p> <p data-bbox="225 692 748 779">Vertical, non-self-priming, multistage, in-line, centrifugal pump for installation in pipe systems and mounting on a foundation.</p> <p data-bbox="225 808 703 837">The pump has the following characteristics:</p> <ul data-bbox="264 840 782 1016" style="list-style-type: none"> <li>- Impellers, intermediate chambers and outer sleeve are made of</li> <li>- Pump head cover and base are made of</li> <li>- The shaft seal has assembly length according to EN 12756.</li> <li>- Power transmission is via cast iron split coupling.</li> </ul> <p data-bbox="225 1046 424 1075">flanges/couplings.</p> <p data-bbox="225 1106 600 1135">The motor is a 3-phase AC motor.</p> <p data-bbox="225 1167 336 1196"><b>Controls:</b></p> <p data-bbox="225 1198 660 1227">Frequency converter: NONE</p> <p data-bbox="225 1258 309 1288"><b>Liquid:</b></p> <p data-bbox="225 1290 660 1319">Pumped liquid: Water</p> <p data-bbox="225 1321 715 1350">Liquid temperature range: -4 .. 248 °F</p> <p data-bbox="225 1352 651 1382">Selected liquid temperature: 68 °F</p> <p data-bbox="225 1384 708 1413">Density: 62.29 lb/ft³</p> <p data-bbox="225 1444 347 1473"><b>Technical:</b></p> <p data-bbox="225 1476 695 1505">Rated pump speed: 3485 rpm</p> <p data-bbox="225 1507 735 1536">Rated flow: 4.84 US gpm</p> <p data-bbox="225 1538 676 1568">Rated head: 149.3 ft</p> <p data-bbox="225 1570 676 1599">Pump orientation: Vertical</p> <p data-bbox="225 1601 660 1630">Shaft seal arrangement: Single</p> <p data-bbox="225 1632 660 1662">Code for shaft seal: HQQE</p> <p data-bbox="225 1664 759 1693">Approvals on nameplate: CURUS,NSF61</p> <p data-bbox="225 1695 788 1724">Curve tolerance: ISO9906:2012 3B</p> <p data-bbox="225 1756 341 1785"><b>Materials:</b></p> <p data-bbox="225 1787 751 1852">Base: Stainless steel EN 1.4408 AISI 316</p> <p data-bbox="225 1861 751 1926">Impeller: Stainless steel EN 1.4301 AISI 304</p> <p data-bbox="225 1935 632 1964">Bearing: SIC</p> <p data-bbox="225 1995 363 2024"><b>Installation:</b></p> <p data-bbox="225 2027 660 2056">Maximum ambient temperature: 104 °F</p> <p data-bbox="225 2058 703 2087">Maximum operating pressure: 362.59 psi</p>



Company name: pfc equipment

Created by:

Phone:

Date: 4/19/2019

Count	Description
	Max pressure at stated temperature: 363 psi / 250 °F 363 psi / -4 °F
	Type of connection: FlexiClamp
	Size of inlet connection: DN 32
	Size of suction port: 1 1/4 inch
	Size of outlet connection: DN 32
	Size of outlet port: 1 1/4 inch
	Pressure rating for pipe connection: PN 25
	Flange size for motor: 56C
	<b>Electrical data:</b>
	Motor standard: NEMA
	Motor type: 71AB
	Rated power - P2: 0.5 HP
	Power (P2) required by pump: 0.5 HP
	Main frequency: 60 Hz
	Rated voltage: 3 x 208-230YY/460Y V
	Service factor: 1.25
	Rated current: 1,64-1,55/0,78 A
	Starting current: 590-650 %
	Cos phi - power factor: 0.84-0.78
	Rated speed: 3430-3460 rpm
	Motor efficiency at full load: 78.5 %
	Number of poles: 2
	Enclosure class (IEC 34-5): 55 Dust/Jetting
	Insulation class (IEC 85): F
	Motor Number: 85900701
	<b>Others:</b>
	Net weight: 46.2 lb
	Gross weight: 57.2 lb
	Shipping volume: 4.94 ft³
	Country of origin: US
	Custom tariff no.: 8413.70.2040



Company name: pfc equipment

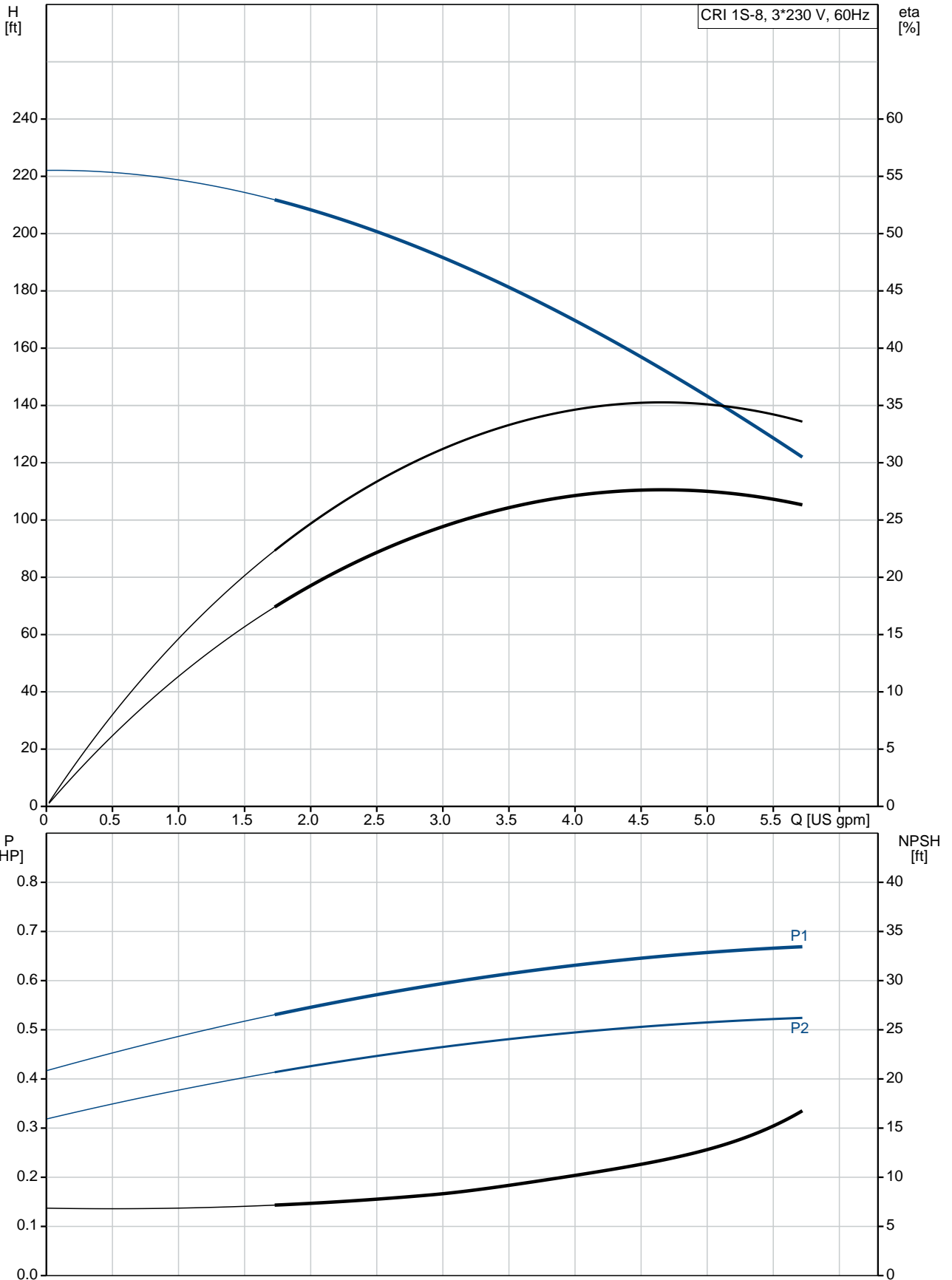
Created by:

Phone:

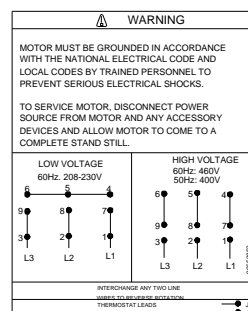
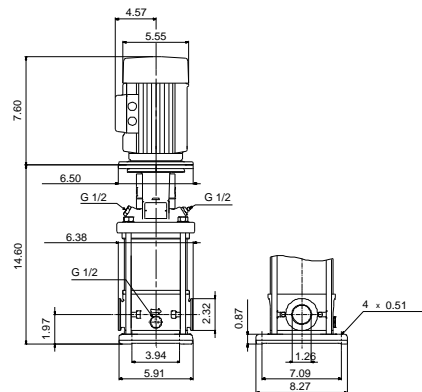
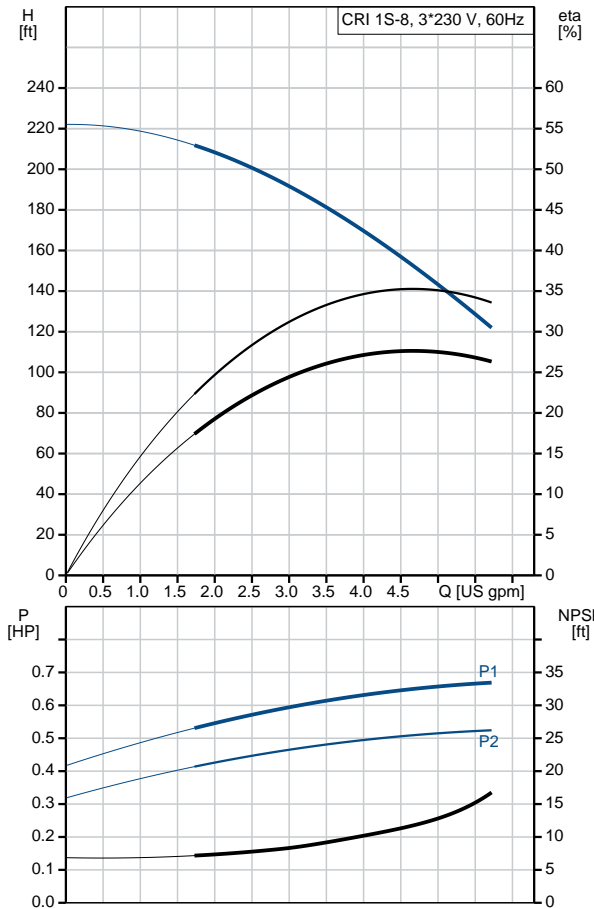
Date:

4/19/2019

### 96081223 CRI 1S-8A-CA-A-E-HQQE 60 Hz



Description	Value
<b>General information:</b>	
Product name:	CRI 1S-8A-CA-A-E-HQQE
Product No.:	96081223
EAN:	5700395164299
<b>Technical:</b>	
Rated pump speed:	3485 rpm
Rated flow:	4.84 US gpm
Rated head:	149.3 ft
Head max:	222.5 ft
Stages:	8
Impellers:	8
Number of reduced-diameter impellers:	0
<b>Low NPSH:</b>	
Low NPSH:	N
Pump orientation:	Vertical
Shaft seal arrangement:	Single
Code for shaft seal:	HQQE
Approvals on nameplate:	CURUS,NSF61
Curve tolerance:	ISO9906:2012 3B
Pump version:	A
Model:	A
Cooling:	TEFC
<b>Materials:</b>	
Base:	Stainless steel
	EN 1.4408
	AISI 316
Impeller:	Stainless steel
	EN 1.4301
	AISI 304
Material code:	A
Code for rubber:	E
Bearing:	SIC
<b>Installation:</b>	
Maximum ambient temperature:	104 °F
Maximum operating pressure:	362.59 psi
Max pressure at stated temperature:	363 psi / 250 °F
	363 psi / -4 °F
Type of connection:	FlexiClamp
Size of inlet connection:	DN 32
Size of suction port:	1 1/4 inch
Size of outlet connection:	DN 32
Size of outlet port:	1 1/4 inch
Pressure rating for pipe connection:	PN 25
Flange size for motor:	56C
Connect code:	CA
<b>Liquid:</b>	
Pumped liquid:	Water
Liquid temperature range:	-4 .. 248 °F
Selected liquid temperature:	68 °F
Density:	62.29 lb/ft <sup>3</sup>
<b>Electrical data:</b>	
Motor standard:	NEMA
Motor type:	71AB
Rated power - P2:	0.5 HP
Power (P2) required by pump:	0.5 HP
Main frequency:	60 Hz
Rated voltage:	3 x 208-230YY/460Y V
Service factor:	1.25





Company name: pfc equipment

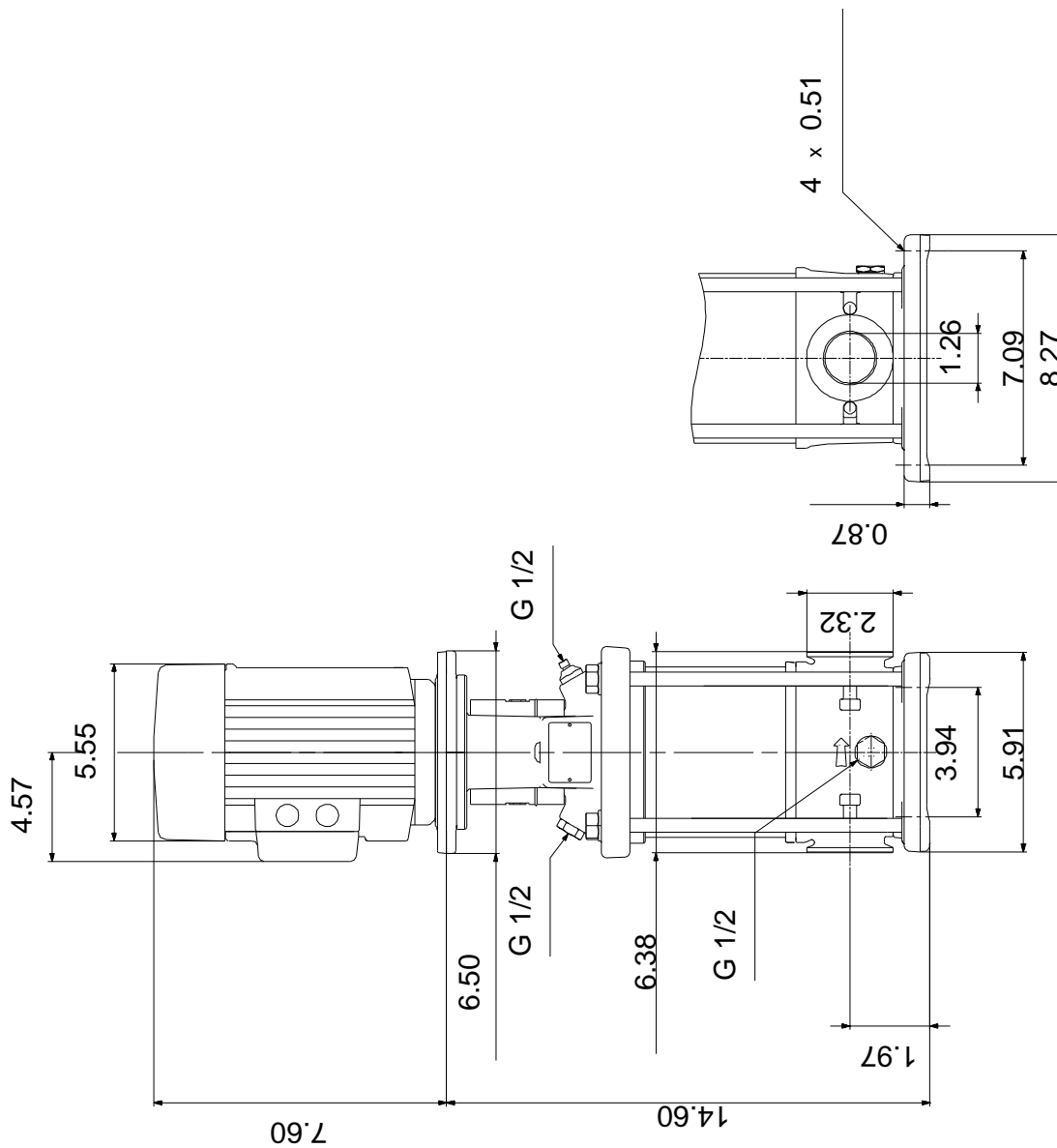
Created by:

Phone:

Date: 4/19/2019

Description	Value
Rated current:	1,64-1,55/0,78 A
Starting current:	590-650 %
Load current:	2,0-1,9/0,95 A
Cos phi - power factor:	0.84-0.78
Rated speed:	3430-3460 rpm
Motor efficiency at full load:	78.5 %
Number of poles:	2
Enclosure class (IEC 34-5):	55 Dust/Jetting
Insulation class (IEC 85):	F
Motor protection:	NONE
Motor Number:	85900701
<b>Controls:</b>	
Frequency converter:	NONE
<b>Others:</b>	
Net weight:	46.2 lb
Gross weight:	57.2 lb
Shipping volume:	4.94 ft <sup>3</sup>
Country of origin:	US
Custom tariff no.:	8413.70.2040

## 96081223 CRI 1S-8A-CA-A-E-HQQE 60 Hz



Note! All units are in [in] unless otherwise stated.  
 Disclaimer: This simplified dimensional drawing does not show all details.

## 96081223 CRI 1S-8A-CA-A-E-HQQE 60 Hz

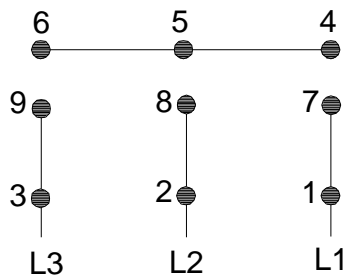


### WARNING

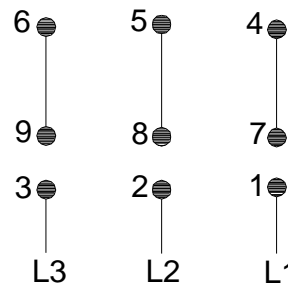
MOTOR MUST BE GROUNDED IN ACCORDANCE WITH THE NATIONAL ELECTRICAL CODE AND LOCAL CODES BY TRAINED PERSONNEL TO PREVENT SERIOUS ELECTRICAL SHOCKS.

TO SERVICE MOTOR, DISCONNECT POWER SOURCE FROM MOTOR AND ANY ACCESSORY DEVICES AND ALLOW MOTOR TO COME TO A COMPLETE STAND STILL.

#### LOW VOLTAGE 60Hz. 208-230V



#### HIGH VOLTAGE 60Hz: 460V 50Hz: 400V



96553852

INTERCHANGE ANY TWO LINE WIRES TO REVERSE ROTATION  
THERMOSTAT LEADS  
(WHEN PROVIDED)

