


Count	Description
1	<p data-bbox="225 338 523 367">CRI 1S-6A-CA-A-V-HQQV</p>  <p data-bbox="225 663 751 779">Product No.: On request Vertical, non-self-priming, multistage, in-line, centrifugal pump for installation in pipe systems and mounting on a foundation.</p> <p data-bbox="225 808 783 1077">The pump has the following characteristics:</p> <ul style="list-style-type: none"> - Impellers, intermediate chambers and outer sleeve are made of - Pump head cover and base are made of - The shaft seal has assembly length according to EN 12756. - Power transmission is via cast iron split coupling. <p data-bbox="225 1106 600 1135">The motor is a 1-phase AC motor.</p> <p data-bbox="225 1164 336 1193">Controls:</p> <p data-bbox="225 1196 663 1225">Frequency converter: NONE</p> <p data-bbox="225 1254 312 1283">Liquid:</p> <p data-bbox="225 1285 715 1402">Pumped liquid: Water Liquid temperature range: -4 .. 194 °F Selected liquid temperature: 68 °F Density: 62.29 lb/ft³</p> <p data-bbox="225 1431 352 1460">Technical:</p> <p data-bbox="225 1462 788 1700">Rated pump speed: 3443 rpm Rated flow: 4.84 US gpm Rated head: 110.2 ft Pump orientation: Vertical Shaft seal arrangement: Single Code for shaft seal: HQQV Approvals on nameplate: CURUS Curve tolerance: ISO9906:2012 3B</p> <p data-bbox="225 1729 344 1758">Materials:</p> <p data-bbox="225 1760 751 1966">Base: Stainless steel EN 1.4408 AISI 316 Impeller: Stainless steel EN 1.4301 AISI 304 Bearing: SIC</p> <p data-bbox="225 1995 368 2024">Installation:</p> <p data-bbox="225 2027 707 2085">Maximum ambient temperature: 104 °F Maximum operating pressure: 362.59 psi</p>



Company name: pfc equipment

Created by:

Phone:

Date: 4/18/2019

Count	Description
	Max pressure at stated temperature: 363 psi / 194 °F 363 psi / -4 °F
	Type of connection: FlexiClamp
	Size of inlet connection: DN 32
	Size of suction port: 1 1/4 inch
	Size of outlet connection: DN 32
	Size of outlet port: 1 1/4 inch
	Pressure rating for pipe connection: PN 25
	Flange size for motor: 56C
	Electrical data:
	Motor standard: NEMA
	Motor type: Baldor
	Rated power - P2: 0.5 HP
	Power (P2) required by pump: 0.5 HP
	Main frequency: 60 Hz
	Rated voltage: 1 x 115/230 V
	Service factor: 1.60
	Rated current: 7.4/3.7 A
	Rated speed: 3450 rpm
	Number of poles: 2
	Enclosure class (IEC 34-5): 54 Dust/Splashing
	Insulation class (IEC 85): B
	Motor Number: 85700002
	Others:
	Net weight: 50.8 lb
	Gross weight: 61.8 lb
	Shipping volume: 4.94 ft ³
	Country of origin: US
	Custom tariff no.: 8413.70.2040



Company name: pfc equipment

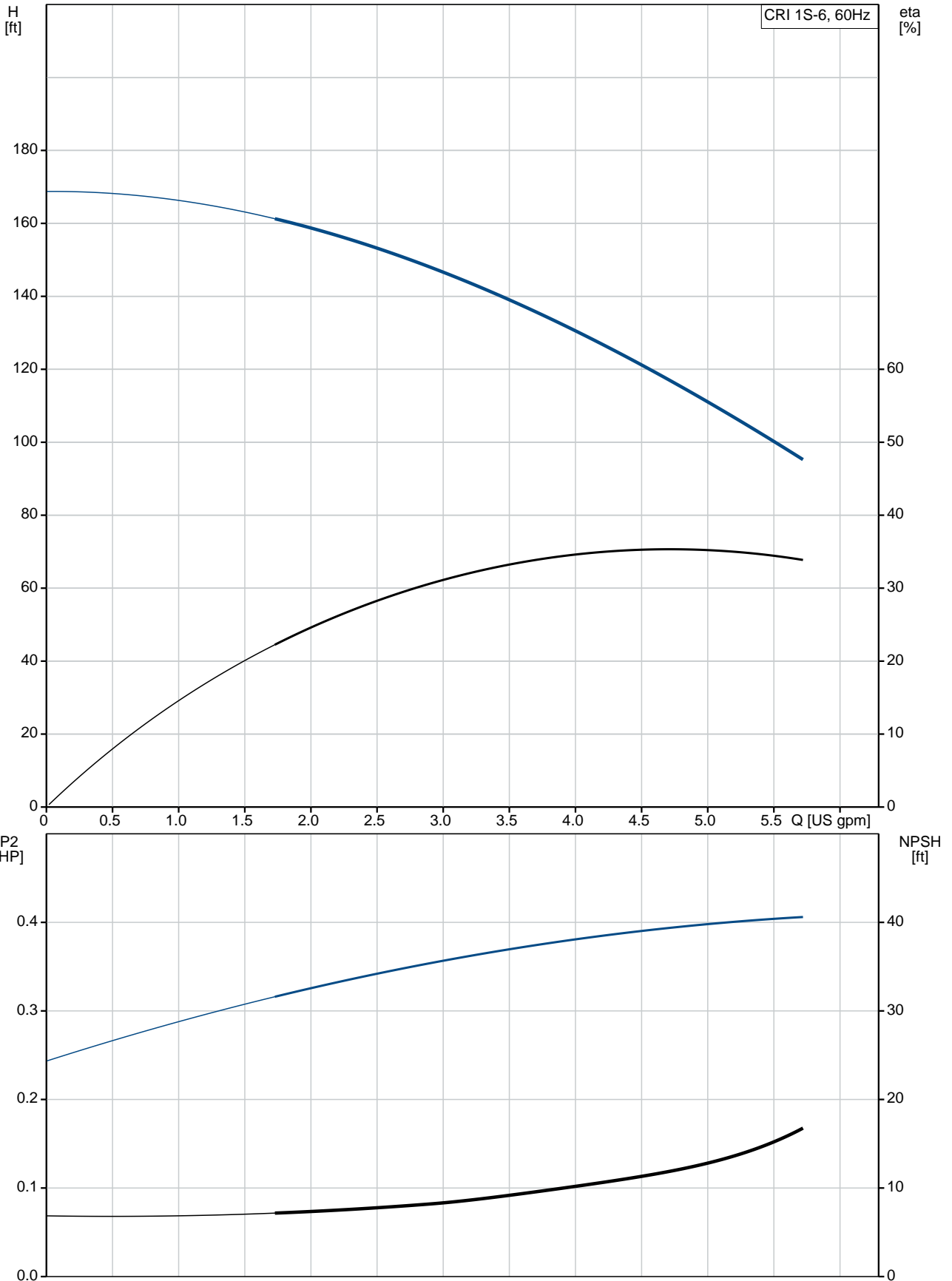
Created by:

Phone:

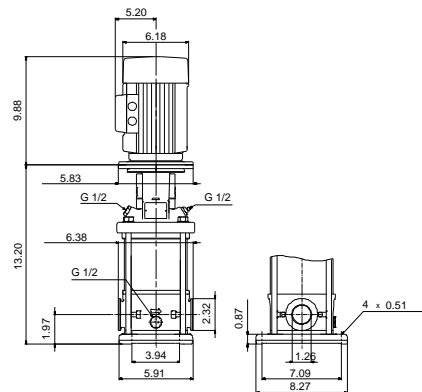
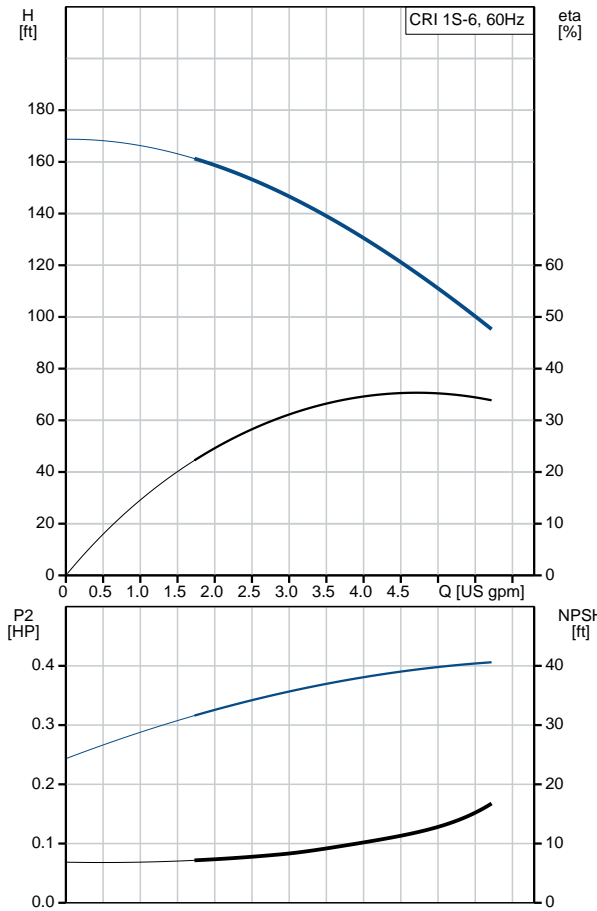
Date:

4/18/2019

On request CRI 1S-6A-CA-A-V-HQQV 60 Hz



Description	Value
General information:	
Product name:	CRI 1S-6A-CA-A-V-HQQV
Product No.:	On request
EAN:	On request
Technical:	
Rated pump speed:	3443 rpm
Rated flow:	4.84 US gpm
Rated head:	110.2 ft
Head max:	164.1 ft
Stages:	6
Impellers:	6
Number of reduced-diameter impellers:	0
Low NPSH:	N
Pump orientation:	Vertical
Shaft seal arrangement:	Single
Code for shaft seal:	HQQV
Approvals on nameplate:	CURUS
Curve tolerance:	ISO9906:2012 3B
Pump version:	A
Model:	A
Cooling:	TEFC
Materials:	
Base:	Stainless steel EN 1.4408 AISI 316
Impeller:	Stainless steel EN 1.4301 AISI 304
Material code:	A
Code for rubber:	V
Bearing:	SIC
Installation:	
Maximum ambient temperature:	104 °F
Maximum operating pressure:	362.59 psi
Max pressure at stated temperature:	363 psi / 194 °F 363 psi / -4 °F
Type of connection:	FlexiClamp
Size of inlet connection:	DN 32
Size of suction port:	1 1/4 inch
Size of outlet connection:	DN 32
Size of outlet port:	1 1/4 inch
Pressure rating for pipe connection:	PN 25
Flange size for motor:	56C
Connect code:	CA
Liquid:	
Pumped liquid:	Water
Liquid temperature range:	-4 .. 194 °F
Selected liquid temperature:	68 °F
Density:	62.29 lb/ft ³
Electrical data:	
Motor standard:	NEMA
Motor type:	Baldor
Rated power - P2:	0.5 HP
Power (P2) required by pump:	0.5 HP
Main frequency:	60 Hz
Rated voltage:	1 x 115/230 V
Service factor:	1.60





Company name: pfc equipment

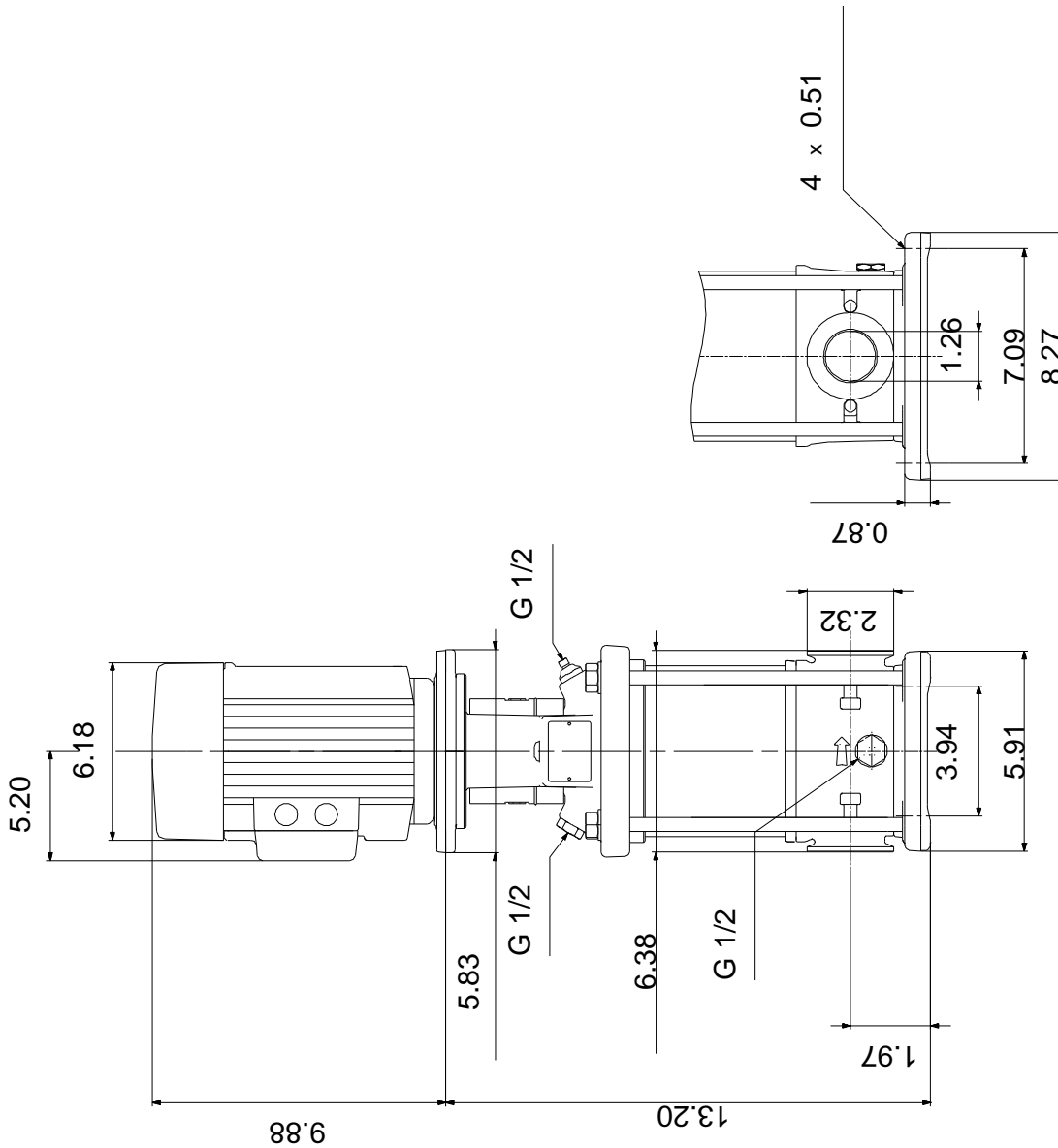
Created by:

Phone:

Date: 4/18/2019

Description	Value
Rated current:	7.4/3.7 A
Load current:	9.8/4.9 A
Rated speed:	3450 rpm
Number of poles:	2
Enclosure class (IEC 34-5):	54 Dust/Splashing
Insulation class (IEC 85):	B
Motor Number:	85700002
Controls:	
Frequency converter:	NONE
Others:	
Net weight:	50.8 lb
Gross weight:	61.8 lb
Shipping volume:	4.94 ft ³
Country of origin:	US
Custom tariff no.:	8413.70.2040

On request CRI 1S-6A-CA-A-V-HQQV 60 Hz



Note! All units are in [in] unless otherwise stated.
 Disclaimer: This simplified dimensional drawing does not show all details.

On request CRI 1S-6A-CA-A-V-HQQV 60 Hz



All units are [in] unless otherwise presented.