


| Count | Description |
|-------|--|
| 1 | <p data-bbox="225 338 523 367">CRI 1S-7A-CA-A-V-HQQV</p>  <p data-bbox="225 663 491 689">Product No.: 96081315</p> <p data-bbox="225 692 748 777">Vertical, non-self-priming, multistage, in-line, centrifugal pump for installation in pipe systems and mounting on a foundation.</p> <p data-bbox="225 808 703 837">The pump has the following characteristics:</p> <ul data-bbox="264 840 782 1016" style="list-style-type: none"> - Impellers, intermediate chambers and outer sleeve are made of - Pump head cover and base are made of - The shaft seal has assembly length according to EN 12756. - Power transmission is via cast iron split coupling. <p data-bbox="225 1048 424 1077">flanges/couplings.</p> <p data-bbox="225 1108 600 1137">The motor is a 1-phase AC motor.</p> <p data-bbox="225 1169 336 1198">Controls:</p> <p data-bbox="225 1200 660 1229">Frequency converter: NONE</p> <p data-bbox="225 1261 312 1290">Liquid:</p> <p data-bbox="225 1292 660 1321">Pumped liquid: Water</p> <p data-bbox="225 1323 715 1352">Liquid temperature range: -4 .. 194 °F</p> <p data-bbox="225 1355 651 1384">Selected liquid temperature: 68 °F</p> <p data-bbox="225 1386 708 1415">Density: 62.29 lb/ft³</p> <p data-bbox="225 1447 352 1476">Technical:</p> <p data-bbox="225 1478 695 1507">Rated pump speed: 3443 rpm</p> <p data-bbox="225 1509 735 1538">Rated flow: 4.84 US gpm</p> <p data-bbox="225 1541 676 1570">Rated head: 130.6 ft</p> <p data-bbox="225 1572 676 1601">Pump orientation: Vertical</p> <p data-bbox="225 1603 660 1632">Shaft seal arrangement: Single</p> <p data-bbox="225 1635 660 1664">Code for shaft seal: HQQV</p> <p data-bbox="225 1666 676 1695">Approvals on nameplate: CURUS</p> <p data-bbox="225 1697 788 1727">Curve tolerance: ISO9906:2012 3B</p> <p data-bbox="225 1758 344 1787">Materials:</p> <p data-bbox="225 1792 751 1850">Base: Stainless steel EN 1.4408 AISI 316</p> <p data-bbox="225 1859 751 1939">Impeller: Stainless steel EN 1.4301 AISI 304</p> <p data-bbox="225 1948 632 1977">Bearing: SIC</p> <p data-bbox="225 2009 368 2038">Installation:</p> <p data-bbox="225 2040 660 2069">Maximum ambient temperature: 104 °F</p> <p data-bbox="225 2072 703 2101">Maximum operating pressure: 362.59 psi</p> |



Company name: pfc equipment

Created by:

Phone:

Date: 4/18/2019

| Count | Description |
|-------|---|
| | Max pressure at stated temperature: 363 psi / 194 °F 363 psi / -4 °F |
| | Type of connection: FlexiClamp |
| | Size of inlet connection: DN 32 |
| | Size of suction port: 1 1/4 inch |
| | Size of outlet connection: DN 32 |
| | Size of outlet port: 1 1/4 inch |
| | Pressure rating for pipe connection: PN 25 |
| | Flange size for motor: 56C |
| | Electrical data: |
| | Motor standard: NEMA |
| | Motor type: Baldor |
| | Rated power - P2: 0.5 HP |
| | Power (P2) required by pump: 0.5 HP |
| | Main frequency: 60 Hz |
| | Rated voltage: 1 x 115/230 V |
| | Service factor: 1.60 |
| | Rated current: 7.4/3.7 A |
| | Rated speed: 3450 rpm |
| | Number of poles: 2 |
| | Enclosure class (IEC 34-5): 54 Dust/Splashing |
| | Insulation class (IEC 85): B |
| | Motor Number: 85700002 |
| | Others: |
| | Net weight: 51.7 lb |
| | Gross weight: 62.7 lb |
| | Shipping volume: 4.94 ft ³ |
| | Country of origin: US |
| | Custom tariff no.: 8413.70.2040 |



Company name: pfc equipment

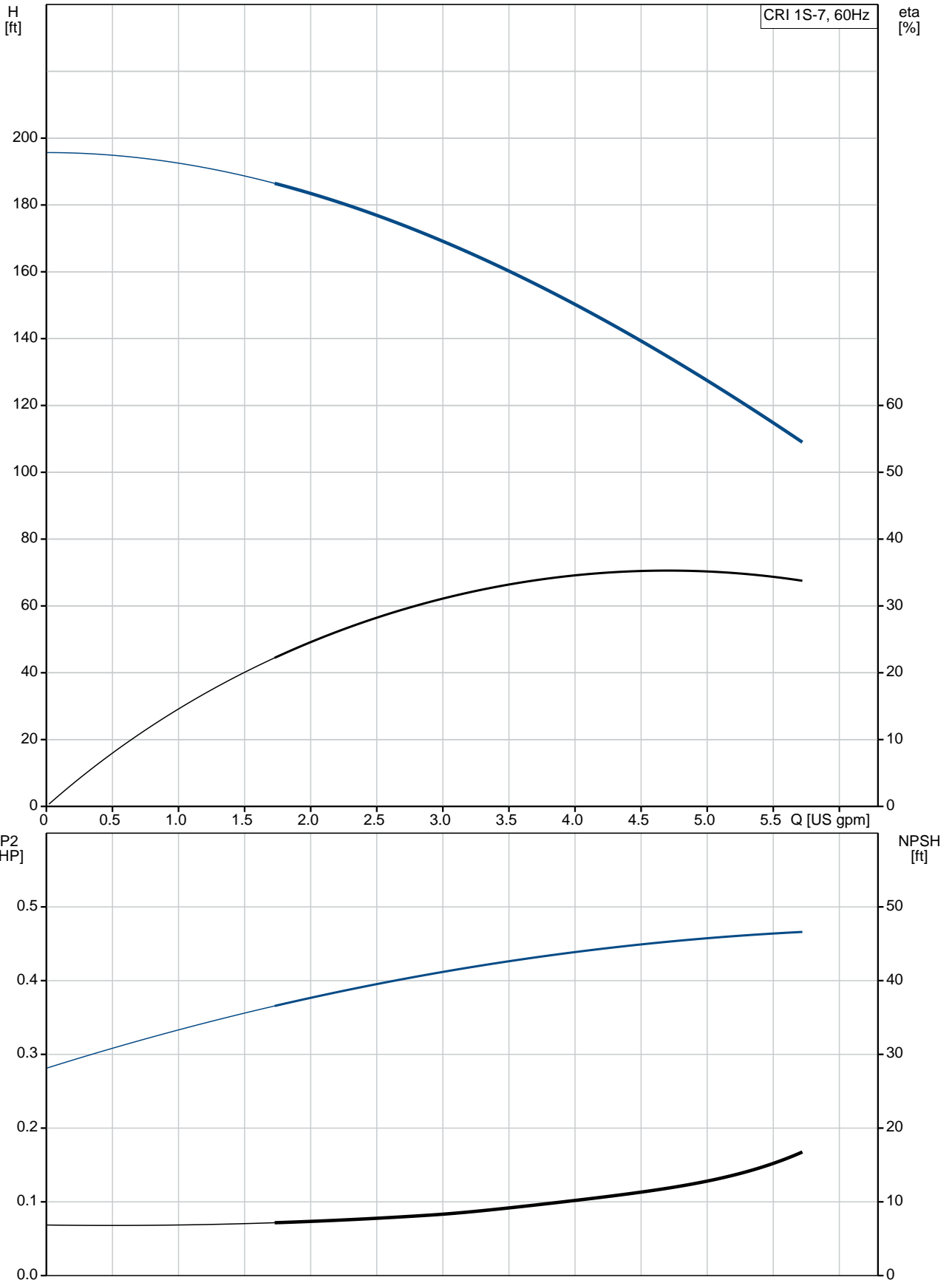
Created by:

Phone:

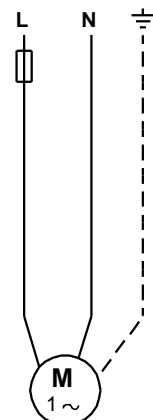
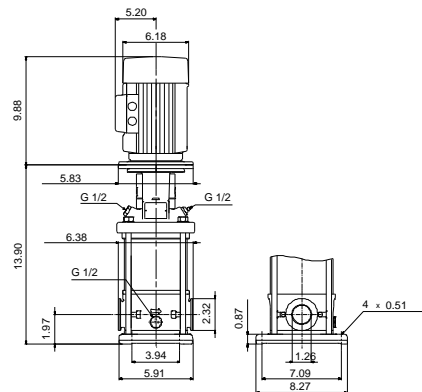
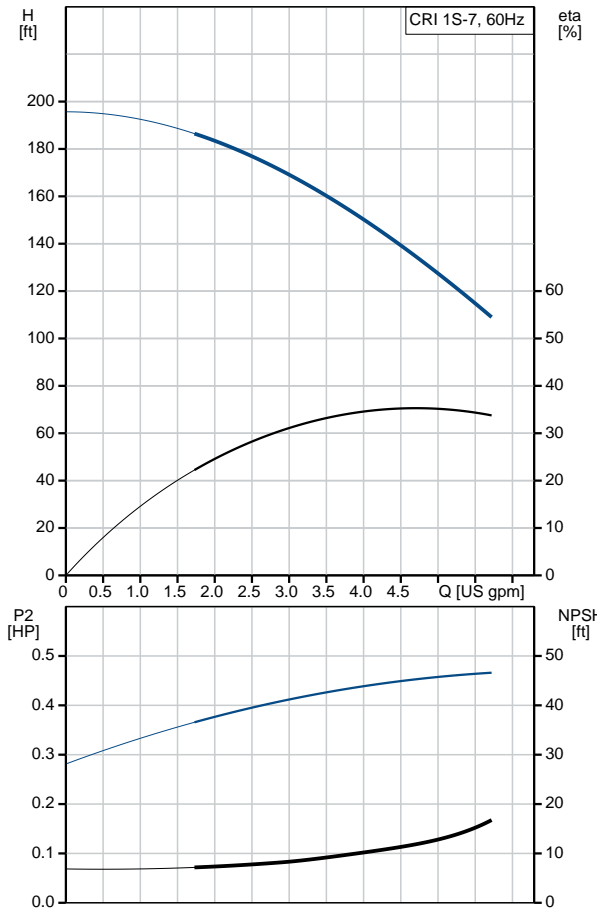
Date:

4/18/2019

96081315 CRI 1S-7A-CA-A-V-HQQV 60 Hz



| Description | Value |
|---------------------------------------|--|
| General information: | |
| Product name: | CRI 1S-7A-CA-A-V-HQQV |
| Product No.: | 96081315 |
| EAN: | 5700395164664 |
| Technical: | |
| Rated pump speed: | 3443 rpm |
| Rated flow: | 4.84 US gpm |
| Rated head: | 130.6 ft |
| Head max: | 194.2 ft |
| Stages: | 7 |
| Impellers: | 7 |
| Number of reduced-diameter impellers: | 0 |
| Low NPSH: | N |
| Pump orientation: | Vertical |
| Shaft seal arrangement: | Single |
| Code for shaft seal: | HQQV |
| Approvals on nameplate: | CURUS |
| Curve tolerance: | ISO9906:2012 3B |
| Pump version: | A |
| Model: | A |
| Cooling: | TEFC |
| Materials: | |
| Base: | Stainless steel EN 1.4408 AISI 316 |
| Impeller: | Stainless steel EN 1.4301 AISI 304 |
| Material code: | A |
| Code for rubber: | V |
| Bearing: | SIC |
| Installation: | |
| Maximum ambient temperature: | 104 °F |
| Maximum operating pressure: | 362.59 psi |
| Max pressure at stated temperature: | 363 psi / 194 °F 363 psi / -4 °F |
| Type of connection: | FlexiClamp |
| Size of inlet connection: | DN 32 |
| Size of suction port: | 1 1/4 inch |
| Size of outlet connection: | DN 32 |
| Size of outlet port: | 1 1/4 inch |
| Pressure rating for pipe connection: | PN 25 |
| Flange size for motor: | 56C |
| Connect code: | CA |
| Liquid: | |
| Pumped liquid: | Water |
| Liquid temperature range: | -4 .. 194 °F |
| Selected liquid temperature: | 68 °F |
| Density: | 62.29 lb/ft ³ |
| Electrical data: | |
| Motor standard: | NEMA |
| Motor type: | Baldor |
| Rated power - P2: | 0.5 HP |
| Power (P2) required by pump: | 0.5 HP |
| Main frequency: | 60 Hz |
| Rated voltage: | 1 x 115/230 V |
| Service factor: | 1.60 |





Company name: pfc equipment

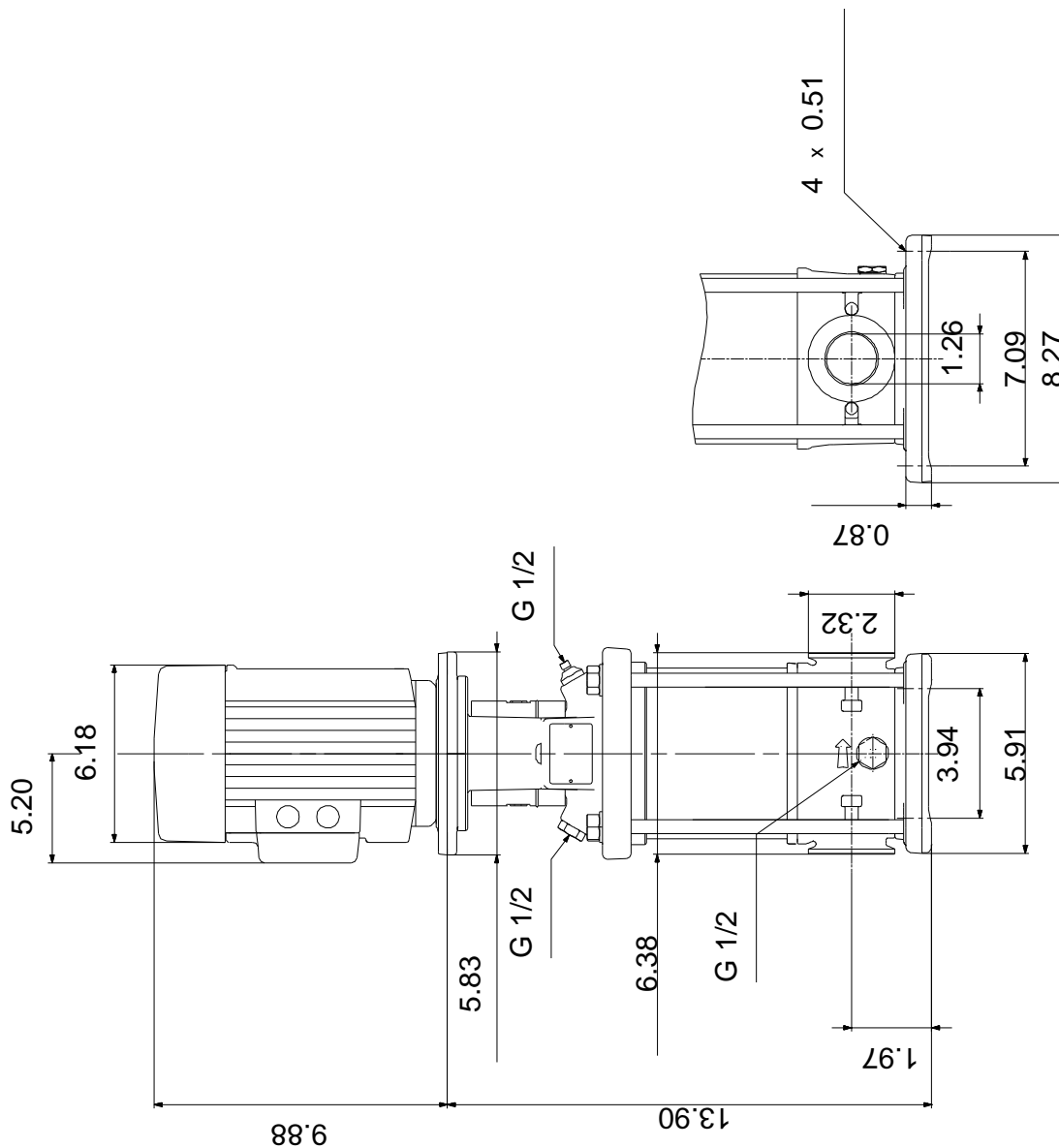
Created by:

Phone:

Date: 4/18/2019

| Description | Value |
|-----------------------------|----------------------|
| Rated current: | 7.4/3.7 A |
| Load current: | 9.8/4.9 A |
| Rated speed: | 3450 rpm |
| Number of poles: | 2 |
| Enclosure class (IEC 34-5): | 54 Dust/Splashing |
| Insulation class (IEC 85): | B |
| Motor Number: | 85700002 |
| Controls: | |
| Frequency converter: | NONE |
| Others: | |
| Net weight: | 51.7 lb |
| Gross weight: | 62.7 lb |
| Shipping volume: | 4.94 ft ³ |
| Country of origin: | US |
| Custom tariff no.: | 8413.70.2040 |

96081315 CRI 1S-7A-CA-A-V-HQQV 60 Hz



Note! All units are in [in] unless otherwise stated.
 Disclaimer: This simplified dimensional drawing does not show all details.

96081315 CRI 1S-7A-CA-A-V-HQQV 60 Hz



All units are [in] unless otherwise presented.