

Count	Description
1	<p data-bbox="225 338 523 367">CRI 1S-8A-CA-A-V-HQQV</p> <div data-bbox="233 376 596 786">  </div> <p data-bbox="619 770 1070 797">Product photo could vary from the actual product</p> <p data-bbox="225 801 491 831">Product No.: 96081317</p> <p data-bbox="225 835 746 920">Vertical, non-self-priming, multistage, in-line, centrifugal pump for installation in pipe systems and mounting on a foundation.</p> <p data-bbox="225 952 703 981">The pump has the following characteristics:</p> <ul data-bbox="264 983 783 1160" style="list-style-type: none"> - Impellers, intermediate chambers and outer sleeve are made of - Pump head cover and base are made of - The shaft seal has assembly length according to EN 12756. - Power transmission is via cast iron split coupling. <p data-bbox="225 1189 424 1218">flanges/couplings.</p> <p data-bbox="225 1247 600 1276">The motor is a 1-phase AC motor.</p> <p data-bbox="225 1308 336 1337">Controls:</p> <p data-bbox="225 1339 660 1368">Frequency converter: NONE</p> <p data-bbox="225 1397 312 1426">Liquid:</p> <p data-bbox="225 1429 715 1547"> Pumped liquid: Water Liquid temperature range: -4 .. 194 °F Selected liquid temperature: 68 °F Density: 62.29 lb/ft³ </p> <p data-bbox="225 1576 352 1606">Technical:</p> <p data-bbox="225 1608 788 1845"> Rated pump speed: 3443 rpm Rated flow: 4.84 US gpm Rated head: 147.3 ft Pump orientation: Vertical Shaft seal arrangement: Single Code for shaft seal: HQQV Approvals on nameplate: CURUS Curve tolerance: ISO9906:2012 3B </p> <p data-bbox="225 1874 344 1904">Materials:</p> <p data-bbox="225 1906 751 2107"> Base: Stainless steel EN 1.4408 AISI 316 Impeller: Stainless steel EN 1.4301 AISI 304 Bearing: SIC </p>



Company name: pfc equipment

Created by:

Phone:

Date: 4/19/2019

Count	Description
	<p>Installation: Maximum ambient temperature: 104 °F Maximum operating pressure: 362.59 psi Max pressure at stated temperature: 363 psi / 194 °F 363 psi / -4 °F</p> <p>Type of connection: FlexiClamp Size of inlet connection: DN 32 Size of suction port: 1 1/4 inch Size of outlet connection: DN 32 Size of outlet port: 1 1/4 inch Pressure rating for pipe connection: PN 25 Flange size for motor: 56C</p> <p>Electrical data: Motor standard: NEMA Motor type: Baldor Rated power - P2: 0.5 HP Power (P2) required by pump: 0.5 HP Main frequency: 60 Hz Rated voltage: 1 x 115/230 V Service factor: 1.60 Rated current: 7.4/3.7 A Rated speed: 3450 rpm Number of poles: 2 Enclosure class (IEC 34-5): 54 Dust/Splashing Insulation class (IEC 85): B Motor Number: 85700002</p> <p>Others: Net weight: 52.5 lb Gross weight: 63.5 lb Shipping volume: 4.94 ft³ Country of origin: US Custom tariff no.: 8413.70.2040</p>



Company name: pfc equipment

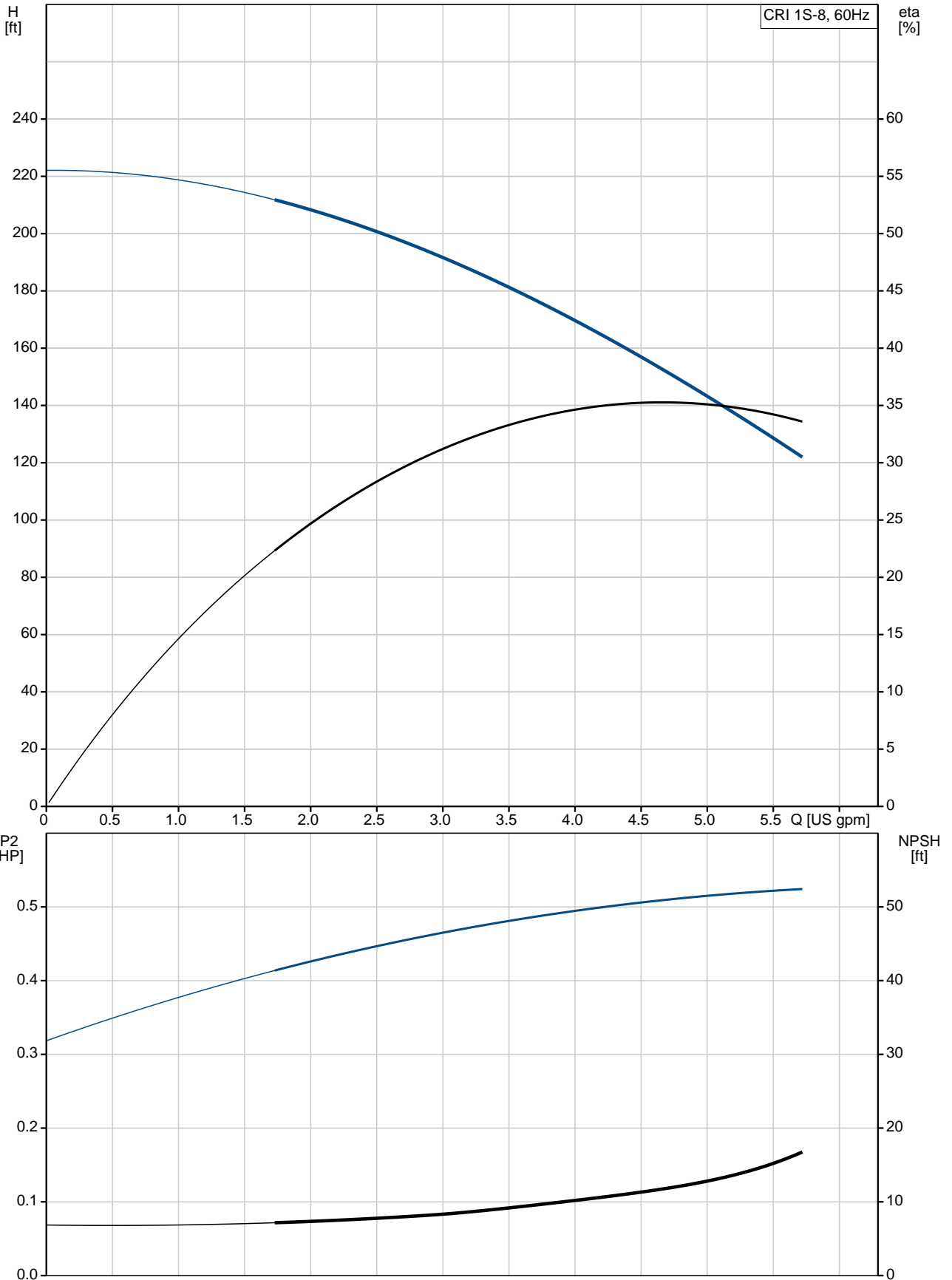
Created by:

Phone:

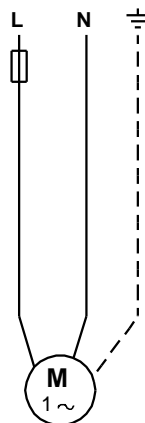
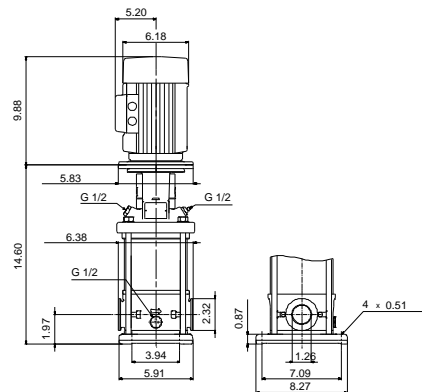
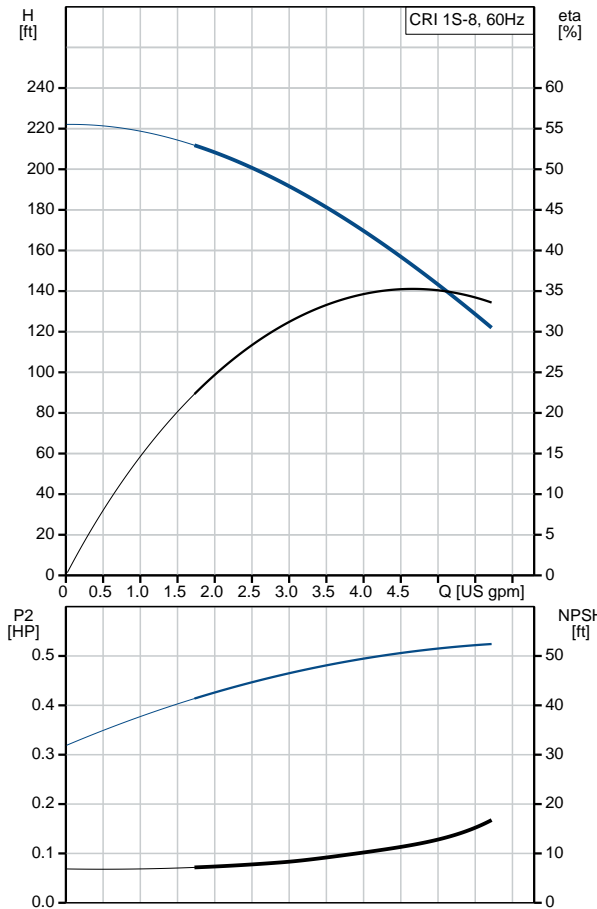
Date:

4/19/2019

96081317 CRI 1S-8A-CA-A-V-HQQV 60 Hz



Description	Value
General information:	
Product name:	CRI 1S-8A-CA-A-V-HQQV
Product No.:	96081317
EAN:	5700395164688
Technical:	
Rated pump speed:	3443 rpm
Rated flow:	4.84 US gpm
Rated head:	147.3 ft
Head max:	220.5 ft
Stages:	8
Impellers:	8
Number of reduced-diameter impellers:	0
Low NPSH:	N
Pump orientation:	Vertical
Shaft seal arrangement:	Single
Code for shaft seal:	HQQV
Approvals on nameplate:	CURUS
Curve tolerance:	ISO9906:2012 3B
Pump version:	A
Model:	A
Cooling:	TEFC
Materials:	
Base:	Stainless steel
	EN 1.4408
	AISI 316
Impeller:	Stainless steel
	EN 1.4301
	AISI 304
Material code:	A
Code for rubber:	V
Bearing:	SIC
Installation:	
Maximum ambient temperature:	104 °F
Maximum operating pressure:	362.59 psi
Max pressure at stated temperature:	363 psi / 194 °F
	363 psi / -4 °F
Type of connection:	FlexiClamp
Size of inlet connection:	DN 32
Size of suction port:	1 1/4 inch
Size of outlet connection:	DN 32
Size of outlet port:	1 1/4 inch
Pressure rating for pipe connection:	PN 25
Flange size for motor:	56C
Connect code:	CA
Liquid:	
Pumped liquid:	Water
Liquid temperature range:	-4 .. 194 °F
Selected liquid temperature:	68 °F
Density:	62.29 lb/ft ³
Electrical data:	
Motor standard:	NEMA
Motor type:	Baldor
Rated power - P2:	0.5 HP
Power (P2) required by pump:	0.5 HP
Main frequency:	60 Hz
Rated voltage:	1 x 115/230 V
Service factor:	1.60





Company name: pfc equipment

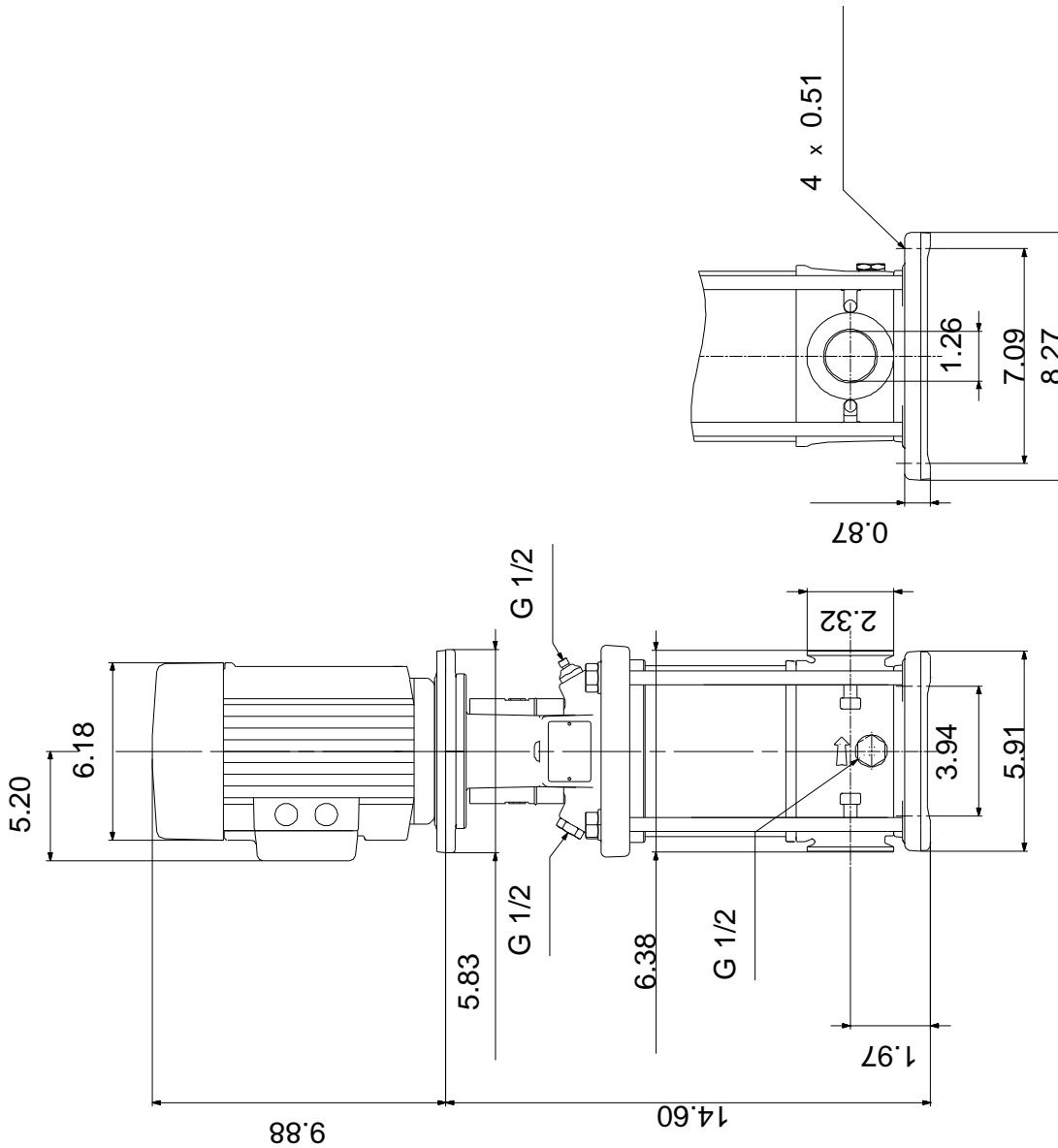
Created by:

Phone:

Date: 4/19/2019

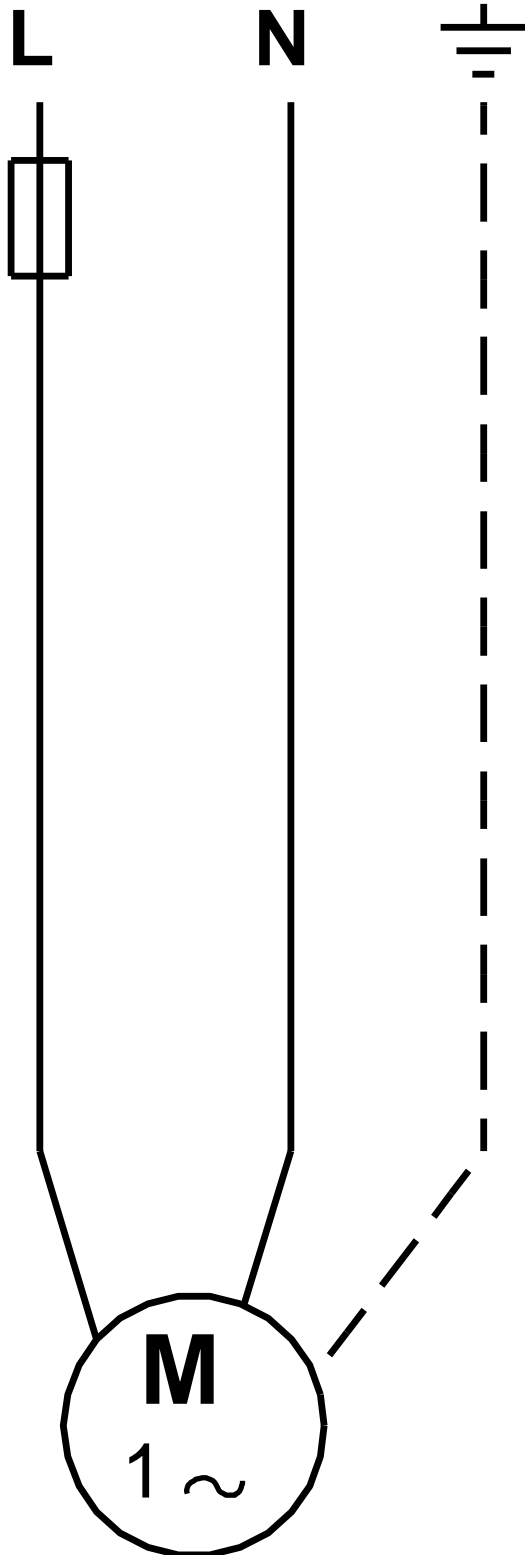
Description	Value
Rated current:	7.4/3.7 A
Load current:	9.8/4.9 A
Rated speed:	3450 rpm
Number of poles:	2
Enclosure class (IEC 34-5):	54 Dust/Splashing
Insulation class (IEC 85):	B
Motor Number:	85700002
Controls:	
Frequency converter:	NONE
Others:	
Net weight:	52.5 lb
Gross weight:	63.5 lb
Shipping volume:	4.94 ft ³
Country of origin:	US
Custom tariff no.:	8413.70.2040

96081317 CRI 1S-8A-CA-A-V-HQQV 60 Hz



Note! All units are in [in] unless otherwise stated.
 Disclaimer: This simplified dimensional drawing does not show all details.

96081317 CRI 1S-8A-CA-A-V-HQQV 60 Hz



All units are [in] unless otherwise presented.