


Count	Description
1	<p data-bbox="225 338 523 367">CRI 1S-8A-CA-A-V-HQQV</p> <div data-bbox="371 383 467 633" style="text-align: center;">  </div> <p data-bbox="225 663 491 692">Product No.: 96081318</p> <p data-bbox="225 694 748 779">Vertical, non-self-priming, multistage, in-line, centrifugal pump for installation in pipe systems and mounting on a foundation.</p> <p data-bbox="225 808 703 837">The pump has the following characteristics:</p> <ul data-bbox="264 840 782 1016" style="list-style-type: none"> - Impellers, intermediate chambers and outer sleeve are made of - Pump head cover and base are made of - The shaft seal has assembly length according to EN 12756. - Power transmission is via cast iron split coupling. <p data-bbox="225 1046 424 1075">flanges/couplings.</p> <p data-bbox="225 1106 600 1135">The motor is a 3-phase AC motor.</p> <p data-bbox="225 1167 336 1196">Controls:</p> <p data-bbox="225 1198 660 1227">Frequency converter: NONE</p> <p data-bbox="225 1258 312 1288">Liquid:</p> <p data-bbox="225 1290 660 1319">Pumped liquid: Water</p> <p data-bbox="225 1321 715 1350">Liquid temperature range: -4 .. 194 °F</p> <p data-bbox="225 1352 651 1382">Selected liquid temperature: 68 °F</p> <p data-bbox="225 1384 708 1413">Density: 62.29 lb/ft³</p> <p data-bbox="225 1444 349 1473">Technical:</p> <p data-bbox="225 1476 695 1505">Rated pump speed: 3485 rpm</p> <p data-bbox="225 1507 735 1536">Rated flow: 4.84 US gpm</p> <p data-bbox="225 1538 676 1568">Rated head: 149.3 ft</p> <p data-bbox="225 1570 676 1599">Pump orientation: Vertical</p> <p data-bbox="225 1601 660 1630">Shaft seal arrangement: Single</p> <p data-bbox="225 1632 660 1662">Code for shaft seal: HQQV</p> <p data-bbox="225 1664 676 1693">Approvals on nameplate: CURUS</p> <p data-bbox="225 1695 788 1724">Curve tolerance: ISO9906:2012 3B</p> <p data-bbox="225 1756 344 1785">Materials:</p> <p data-bbox="225 1787 751 1850">Base: Stainless steel EN 1.4408 AISI 316</p> <p data-bbox="225 1852 751 1939">Impeller: Stainless steel EN 1.4301 AISI 304</p> <p data-bbox="225 1942 632 1971">Bearing: SIC</p> <p data-bbox="225 2002 368 2031">Installation:</p> <p data-bbox="225 2033 663 2063">Maximum ambient temperature: 104 °F</p> <p data-bbox="225 2065 703 2094">Maximum operating pressure: 362.59 psi</p>



Company name: pfc equipment

Created by:

Phone:

Date: 4/19/2019

Count	Description
	Max pressure at stated temperature: 363 psi / 194 °F 363 psi / -4 °F
	Type of connection: FlexiClamp
	Size of inlet connection: DN 32
	Size of suction port: 1 1/4 inch
	Size of outlet connection: DN 32
	Size of outlet port: 1 1/4 inch
	Pressure rating for pipe connection: PN 25
	Flange size for motor: 56C
	Electrical data:
	Motor standard: NEMA
	Motor type: 71AB
	Rated power - P2: 0.5 HP
	Power (P2) required by pump: 0.5 HP
	Main frequency: 60 Hz
	Rated voltage: 3 x 208-230YY/460Y V
	Service factor: 1.25
	Rated current: 1,64-1,55/0,78 A
	Starting current: 590-650 %
	Cos phi - power factor: 0.84-0.78
	Rated speed: 3430-3460 rpm
	Motor efficiency at full load: 78.5 %
	Number of poles: 2
	Enclosure class (IEC 34-5): 55 Dust/Jetting
	Insulation class (IEC 85): F
	Motor Number: 85900701
	Others:
	Net weight: 46.2 lb
	Gross weight: 57.2 lb
	Shipping volume: 4.94 ft³
	Country of origin: US
	Custom tariff no.: 8413.70.2040



Company name: pfc equipment

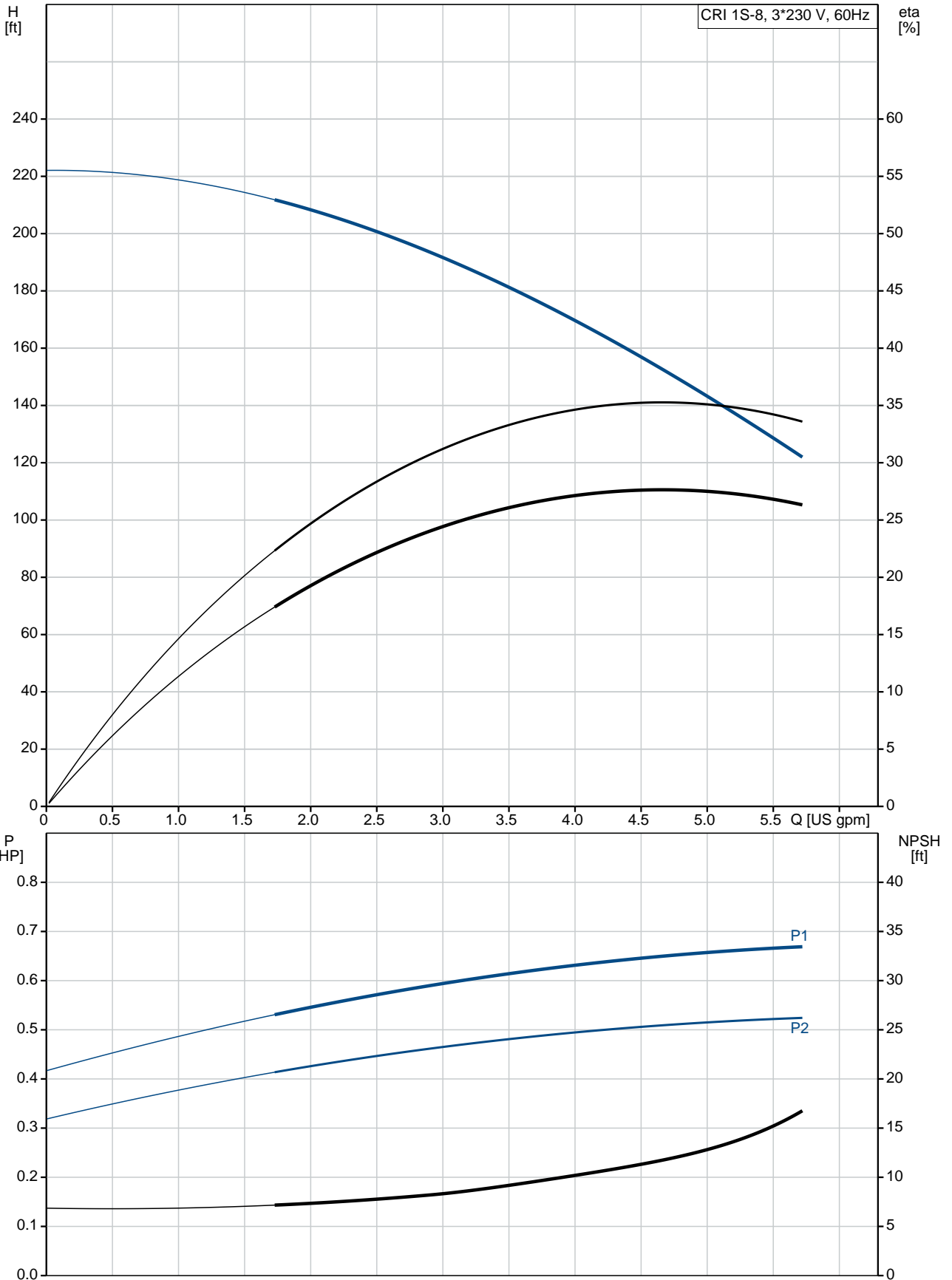
Created by:

Phone:

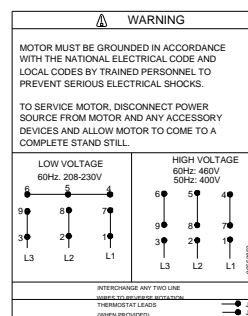
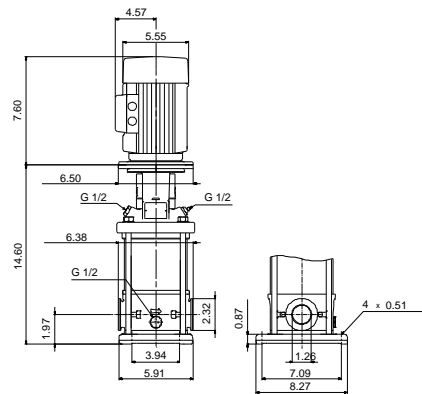
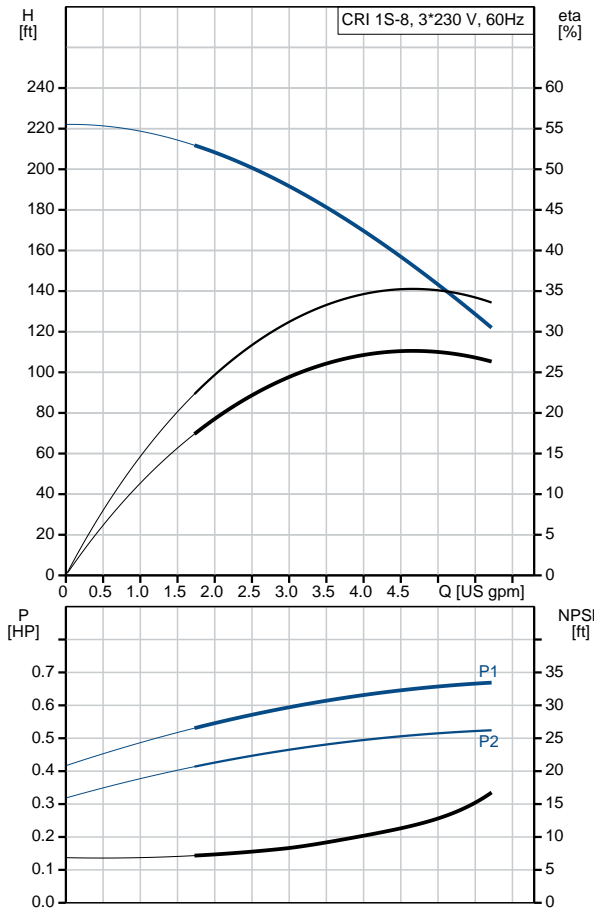
Date:

4/19/2019

96081318 CRI 1S-8A-CA-A-V-HQQV 60 Hz



Description	Value
General information:	
Product name:	CRI 1S-8A-CA-A-V-HQQV
Product No.:	96081318
EAN:	5700395164695
Technical:	
Rated pump speed:	3485 rpm
Rated flow:	4.84 US gpm
Rated head:	149.3 ft
Head max:	222.5 ft
Stages:	8
Impellers:	8
Number of reduced-diameter impellers:	0
Low NPSH:	N
Pump orientation:	Vertical
Shaft seal arrangement:	Single
Code for shaft seal:	HQQV
Approvals on nameplate:	CURUS
Curve tolerance:	ISO9906:2012 3B
Pump version:	A
Model:	A
Cooling:	TEFC
Materials:	
Base:	Stainless steel
	EN 1.4408
	AISI 316
Impeller:	Stainless steel
	EN 1.4301
	AISI 304
Material code:	A
Code for rubber:	V
Bearing:	SIC
Installation:	
Maximum ambient temperature:	104 °F
Maximum operating pressure:	362.59 psi
Max pressure at stated temperature:	363 psi / 194 °F
	363 psi / -4 °F
Type of connection:	FlexiClamp
Size of inlet connection:	DN 32
Size of suction port:	1 1/4 inch
Size of outlet connection:	DN 32
Size of outlet port:	1 1/4 inch
Pressure rating for pipe connection:	PN 25
Flange size for motor:	56C
Connect code:	CA
Liquid:	
Pumped liquid:	Water
Liquid temperature range:	-4 .. 194 °F
Selected liquid temperature:	68 °F
Density:	62.29 lb/ft ³
Electrical data:	
Motor standard:	NEMA
Motor type:	71AB
Rated power - P2:	0.5 HP
Power (P2) required by pump:	0.5 HP
Main frequency:	60 Hz
Rated voltage:	3 x 208-230YY/460Y V
Service factor:	1.25





Company name: pfc equipment

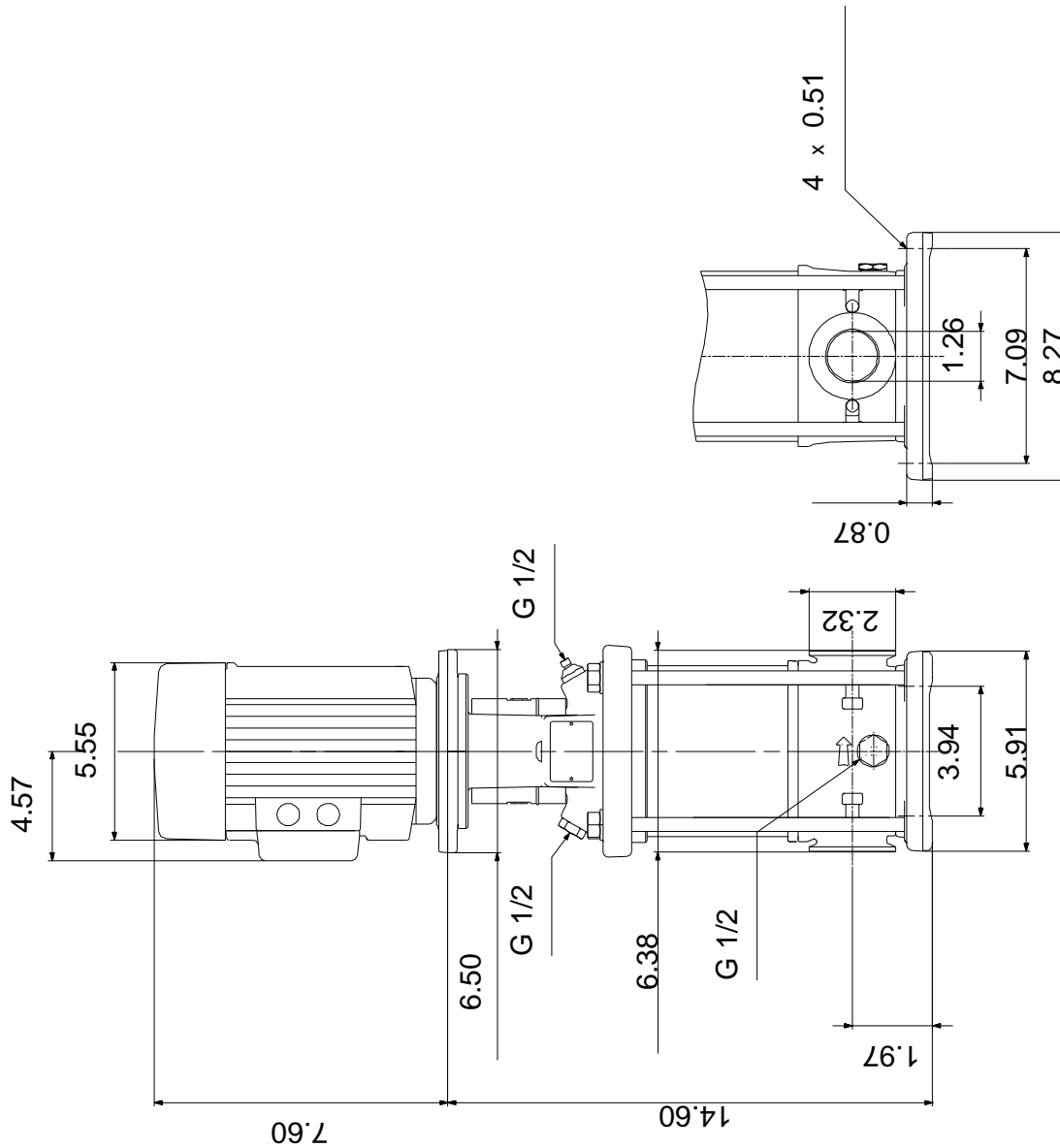
Created by:

Phone:

Date: 4/19/2019

Description	Value
Rated current:	1,64-1,55/0,78 A
Starting current:	590-650 %
Load current:	2,0-1,9/0,95 A
Cos phi - power factor:	0.84-0.78
Rated speed:	3430-3460 rpm
Motor efficiency at full load:	78.5 %
Number of poles:	2
Enclosure class (IEC 34-5):	55 Dust/Jetting
Insulation class (IEC 85):	F
Motor protection:	NONE
Motor Number:	85900701
Controls:	
Frequency converter:	NONE
Others:	
Net weight:	46.2 lb
Gross weight:	57.2 lb
Shipping volume:	4.94 ft ³
Country of origin:	US
Custom tariff no.:	8413.70.2040

96081318 CRI 1S-8A-CA-A-V-HQQV 60 Hz



Note! All units are in [in] unless otherwise stated.
 Disclaimer: This simplified dimensional drawing does not show all details.

96081318 CRI 1S-8A-CA-A-V-HQQV 60 Hz

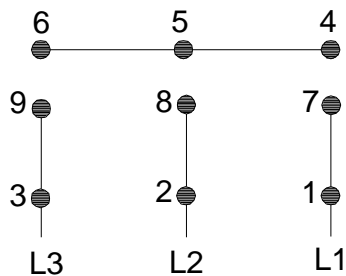


WARNING

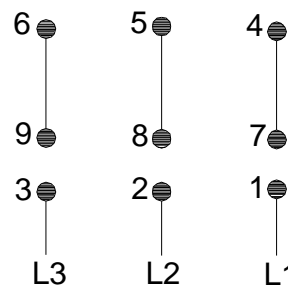
MOTOR MUST BE GROUNDED IN ACCORDANCE WITH THE NATIONAL ELECTRICAL CODE AND LOCAL CODES BY TRAINED PERSONNEL TO PREVENT SERIOUS ELECTRICAL SHOCKS.

TO SERVICE MOTOR, DISCONNECT POWER SOURCE FROM MOTOR AND ANY ACCESSORY DEVICES AND ALLOW MOTOR TO COME TO A COMPLETE STAND STILL.

LOW VOLTAGE 60Hz. 208-230V



HIGH VOLTAGE 60Hz: 460V 50Hz: 400V



96553852

INTERCHANGE ANY TWO LINE WIRES TO REVERSE ROTATION
THERMOSTAT LEADS
(WHEN PROVIDED)

