


Count	Description
1	<p data-bbox="225 338 531 367">CRN 1-2A-FGJ-A-E-HQQE</p> <div data-bbox="357 392 469 629" style="text-align: center;">  </div> <p data-bbox="225 660 491 689">Product No.: 96082871</p> <p data-bbox="225 689 751 779">Vertical, non-self-priming, multistage, in-line, centrifugal pump for installation in pipe systems and mounting on a foundation.</p> <p data-bbox="225 808 703 837">The pump has the following characteristics:</p> <ul data-bbox="264 837 783 1016" style="list-style-type: none"> - Impellers, intermediate chambers and outer sleeve are made of - Pump head cover and base are made of - The shaft seal has assembly length according to EN 12756. - Power transmission is via cast iron split coupling. <p data-bbox="225 1048 427 1077">flanges/couplings.</p> <p data-bbox="225 1108 603 1137">The motor is a 3-phase AC motor.</p> <p data-bbox="225 1167 336 1196">Controls:</p> <p data-bbox="225 1196 663 1225">Frequency converter: NONE</p> <p data-bbox="225 1256 312 1285">Liquid:</p> <p data-bbox="225 1285 663 1314">Pumped liquid: Water</p> <p data-bbox="225 1314 715 1344">Liquid temperature range: -4 .. 248 °F</p> <p data-bbox="225 1344 651 1373">Selected liquid temperature: 68 °F</p> <p data-bbox="225 1373 711 1402">Density: 62.29 lb/ft³</p> <p data-bbox="225 1433 352 1462">Technical:</p> <p data-bbox="225 1462 699 1491">Rated pump speed: 3425 rpm</p> <p data-bbox="225 1491 735 1520">Rated flow: 9.69 US gpm</p> <p data-bbox="225 1520 676 1550">Rated head: 45.28 ft</p> <p data-bbox="225 1550 676 1579">Pump orientation: Vertical</p> <p data-bbox="225 1579 663 1608">Shaft seal arrangement: Single</p> <p data-bbox="225 1608 663 1637">Code for shaft seal: HQQE</p> <p data-bbox="225 1637 762 1666">Approvals on nameplate: CURUS,NSF61</p> <p data-bbox="225 1666 788 1695">Curve tolerance: ISO9906:2012 3B</p> <p data-bbox="225 1727 344 1756">Materials:</p> <p data-bbox="225 1756 751 1845">Base: Stainless steel EN 1.4408 AISI 316</p> <p data-bbox="225 1845 751 1935">Impeller: Stainless steel EN 1.4401 AISI 316</p> <p data-bbox="225 1935 635 1964">Bearing: SIC</p> <p data-bbox="225 1995 368 2024">Installation:</p> <p data-bbox="225 2024 663 2054">Maximum ambient temperature: 104 °F</p> <p data-bbox="225 2054 707 2083">Maximum operating pressure: 362.59 psi</p>



Company name:

Created by:

Phone:

Date:

4/23/2019

Count	Description
	Max pressure at stated temperature: 363 psi / 250 °F 363 psi / -4 °F
	Type of connection: DIN / ANSI / JIS
	Size of inlet connection: DN 25/32
	Size of suction port: 1 1/4 inch
	Size of outlet connection: DN 25/32
	Size of outlet port: 1 1/4 inch
	Pressure rating for pipe connection: PN 25
	Flange rating inlet: 300 lb
	Flange size for motor: 56C
	Electrical data:
	Motor standard: NEMA
	Motor type: 71AA
	Rated power - P2: 0.33 HP
	Power (P2) required by pump: 0.33 HP
	Main frequency: 60 Hz
	Rated voltage: 3 x 208-230YY/460Y V
	Service factor: 1.35
	Rated current: 1,12-1,10/0,55 A
	Starting current: 630-700 %
	Cos phi - power factor: 0.81-0.75
	Rated speed: 3450-3480 rpm
	Motor efficiency at full load: 78.5 %
	Number of poles: 2
	Enclosure class (IEC 34-5): 55 Dust/Jetting
	Insulation class (IEC 85): F
	Motor Number: 85900700
	Others:
	Net weight: 50.5 lb
	Gross weight: 61.5 lb
	Shipping volume: 4.94 ft³
	Country of origin: US
	Custom tariff no.: 8413.70.2040



Company name:

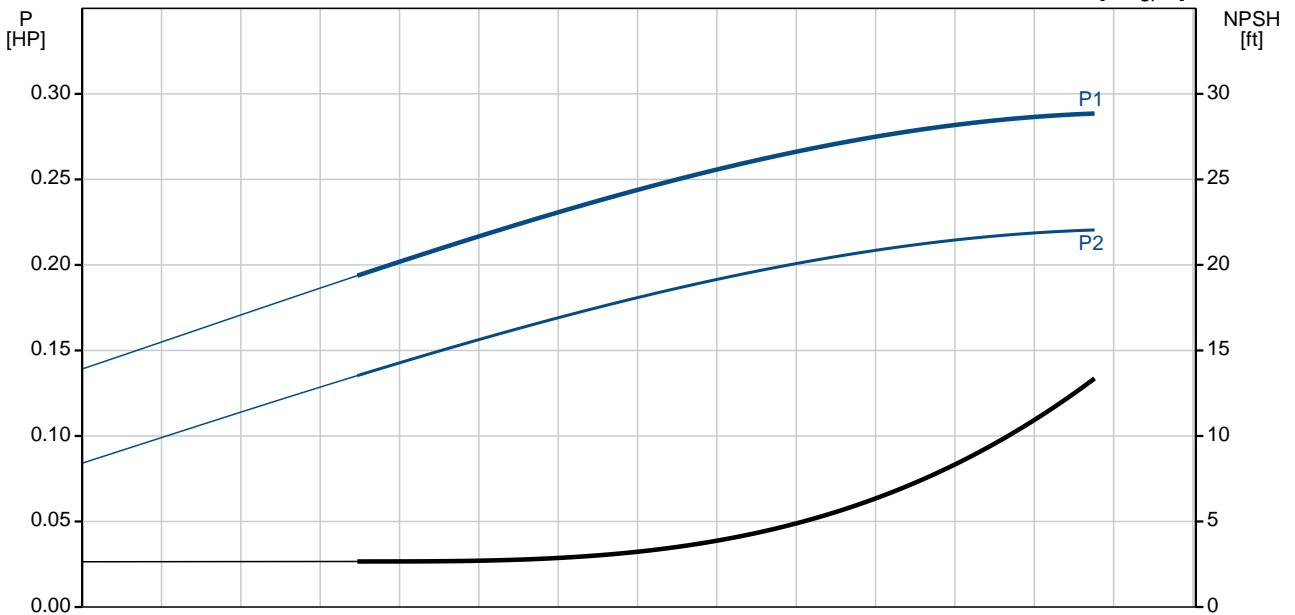
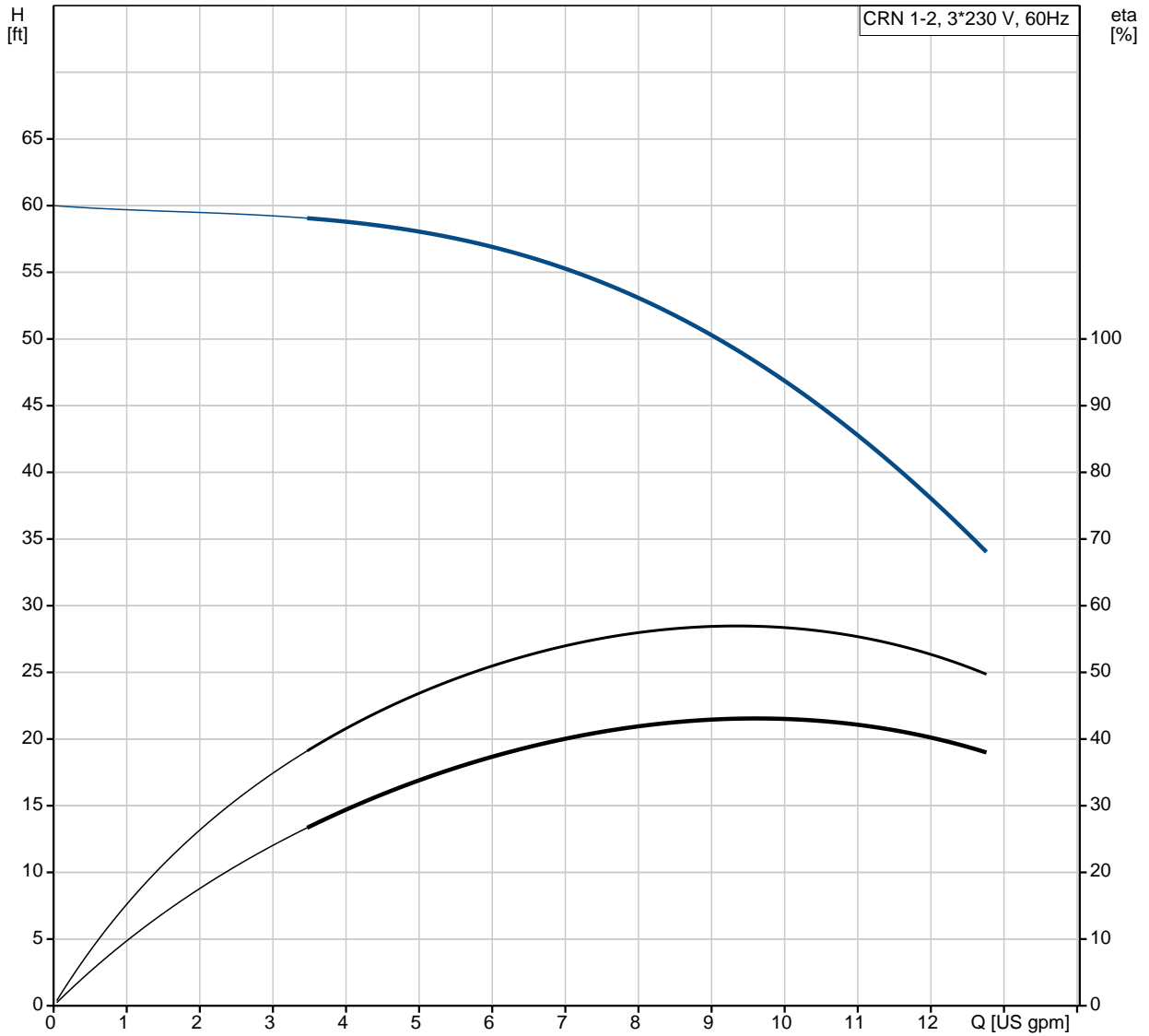
Created by:

Phone:

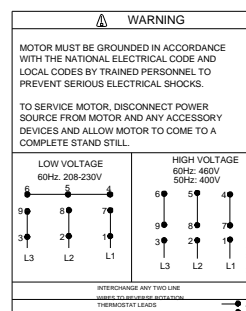
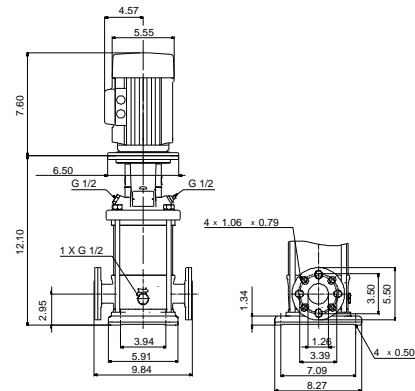
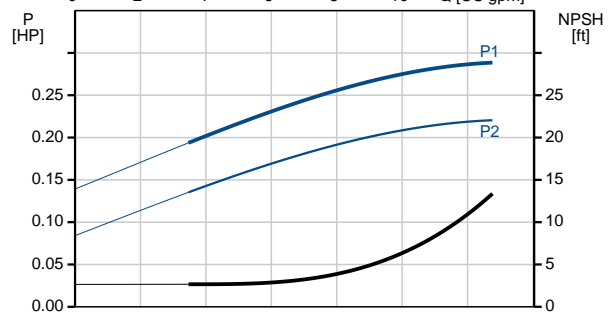
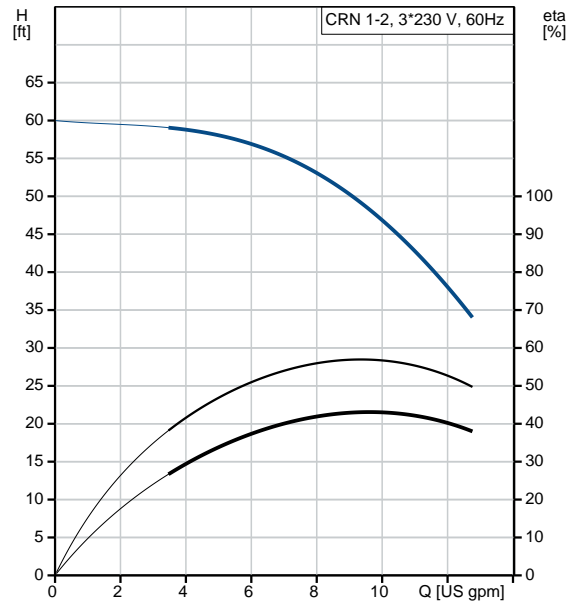
Date:

4/23/2019

96082871 CRN 1-2A-FGJ-A-E-HQQE 60 Hz



Description	Value
General information:	
Product name:	CRN 1-2A-FGJ-A-E-HQQE
Product No.:	96082871
EAN:	5700395176094
Technical:	
Rated pump speed:	3425 rpm
Rated flow:	9.69 US gpm
Rated head:	45.28 ft
Head max:	59.39 ft
Stages:	3
Impellers:	2
Number of reduced-diameter impellers:	0
Low NPSH:	N
Pump orientation:	Vertical
Shaft seal arrangement:	Single
Code for shaft seal:	HQQE
Approvals on nameplate:	CURUS,NSF61
Curve tolerance:	ISO9906:2012 3B
Pump version:	A
Model:	A
Cooling:	TEFC
Materials:	
Base:	Stainless steel EN 1.4408 AISI 316
Impeller:	Stainless steel EN 1.4401 AISI 316
Material code:	A
Code for rubber:	E
Bearing:	SIC
Installation:	
Maximum ambient temperature:	104 °F
Maximum operating pressure:	362.59 psi
Max pressure at stated temperature:	363 psi / 250 °F 363 psi / -4 °F
Type of connection:	DIN / ANSI / JIS
Size of inlet connection:	DN 25/32
Size of suction port:	1 1/4 inch
Size of outlet connection:	DN 25/32
Size of outlet port:	1 1/4 inch
Pressure rating for pipe connection:	PN 25
Flange rating inlet:	300 lb
Flange size for motor:	56C
Connect code:	FGJ
Liquid:	
Pumped liquid:	Water
Liquid temperature range:	-4 .. 248 °F
Selected liquid temperature:	68 °F
Density:	62.29 lb/ft³
Electrical data:	
Motor standard:	NEMA
Motor type:	71AA
Rated power - P2:	0.33 HP
Power (P2) required by pump:	0.33 HP
Main frequency:	60 Hz
Rated voltage:	3 x 208-230YY/460Y V





Company name:

Created by:

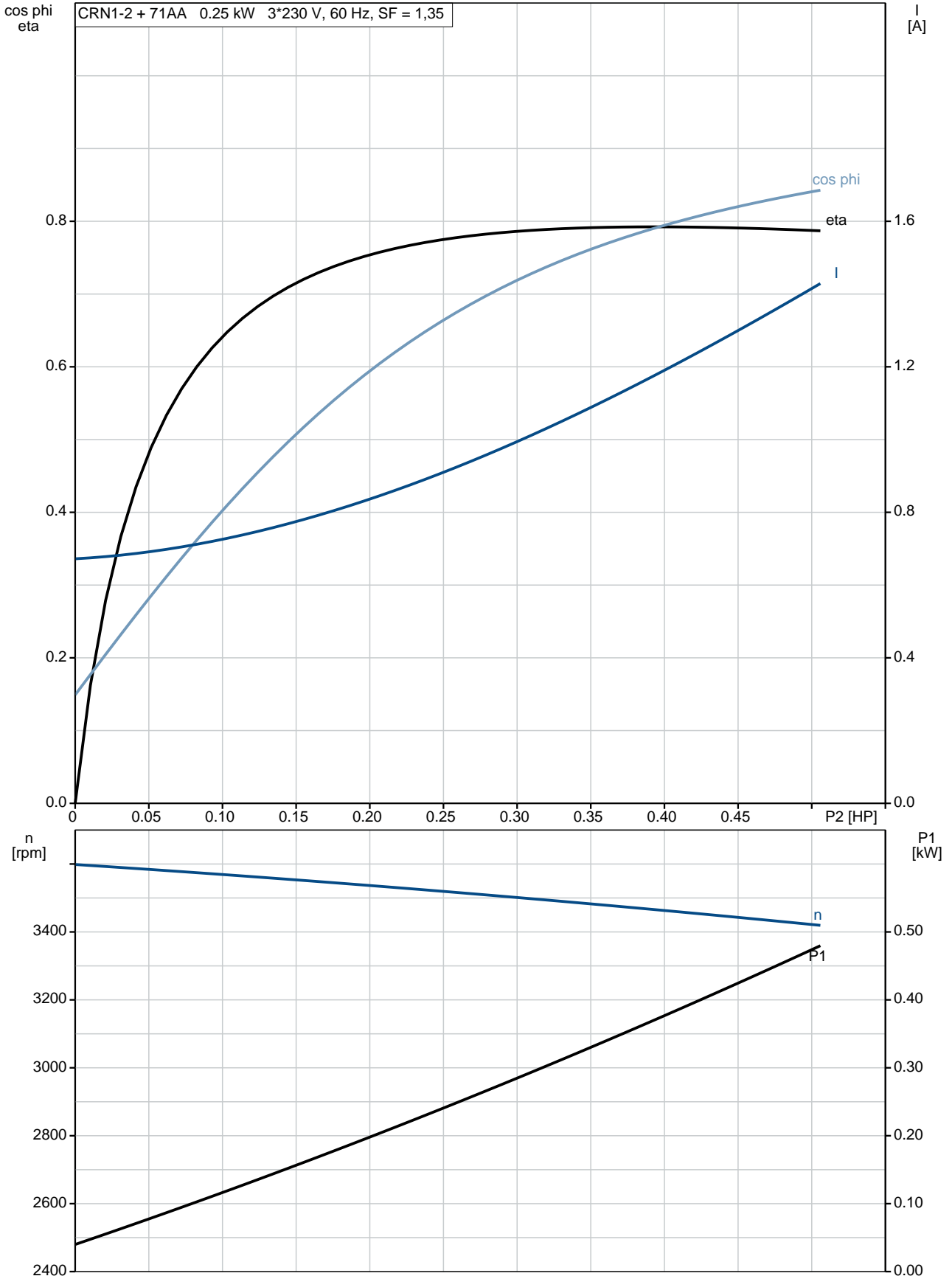
Phone:

Date:

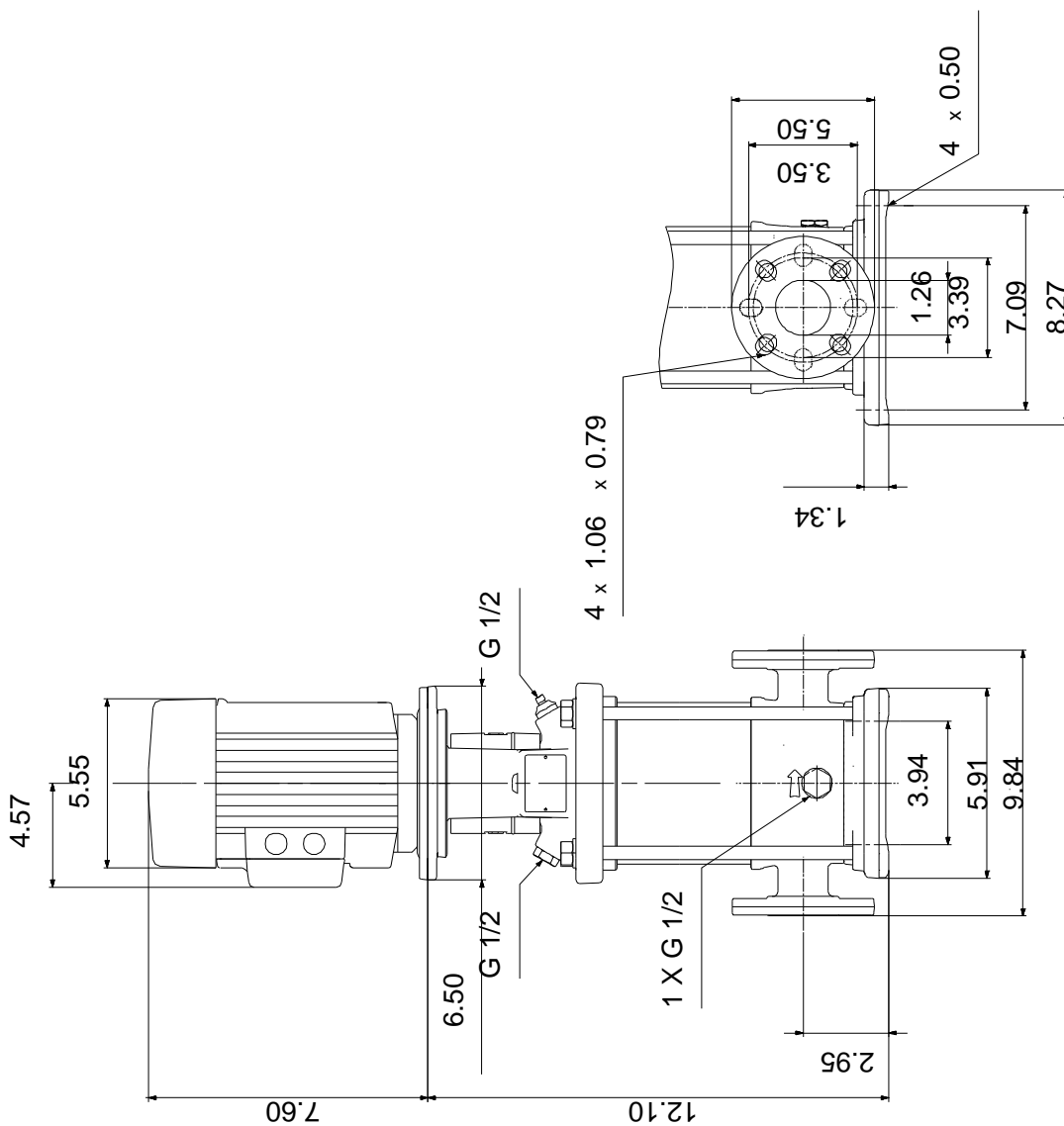
4/23/2019

Description	Value
Service factor:	1.35
Rated current:	1,12-1,10/0,55 A
Starting current:	630-700 %
Load current:	1,5-1,45/0,75 A
Cos phi - power factor:	0.81-0.75
Rated speed:	3450-3480 rpm
Motor efficiency at full load:	78.5 %
Number of poles:	2
Enclosure class (IEC 34-5):	55 Dust/Jetting
Insulation class (IEC 85):	F
Motor protection:	NONE
Motor Number:	85900700
Controls:	
Frequency converter:	NONE
Others:	
Net weight:	50.5 lb
Gross weight:	61.5 lb
Shipping volume:	4.94 ft ³
Country of origin:	US
Custom tariff no.:	8413.70.2040

96082871 CRN 1-2A-FGJ-A-E-HQQE 60 Hz



96082871 CRN 1-2A-FGJ-A-E-HQQE 60 Hz



Note! All units are in [in] unless otherwise stated.
Disclaimer: This simplified dimensional drawing does not show all details.

96082871 CRN 1-2A-FGJ-A-E-HQQE 60 Hz



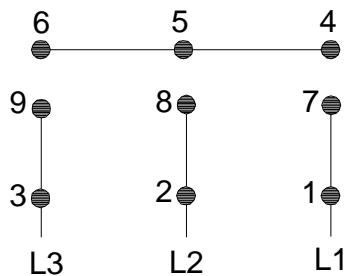
WARNING

MOTOR MUST BE GROUNDED IN ACCORDANCE WITH THE NATIONAL ELECTRICAL CODE AND LOCAL CODES BY TRAINED PERSONNEL TO PREVENT SERIOUS ELECTRICAL SHOCKS.

TO SERVICE MOTOR, DISCONNECT POWER SOURCE FROM MOTOR AND ANY ACCESSORY DEVICES AND ALLOW MOTOR TO COME TO A COMPLETE STAND STILL.

LOW VOLTAGE

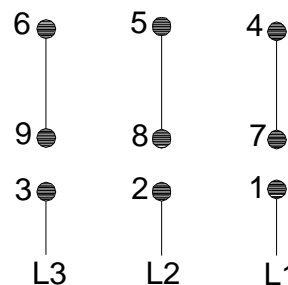
60Hz. 208-230V



HIGH VOLTAGE

60Hz: 460V

50Hz: 400V



96553852

INTERCHANGE ANY TWO LINE WIRES TO REVERSE ROTATION
THERMOSTAT LEADS
(WHEN PROVIDED)

