


Count	Description
1	<p data-bbox="225 338 529 367">CRN 1-9A-FGJ-A-E-HQQE</p>  <p data-bbox="225 663 491 692">Product No.: 96082885</p> <p data-bbox="225 692 748 779">Vertical, non-self-priming, multistage, in-line, centrifugal pump for installation in pipe systems and mounting on a foundation.</p> <p data-bbox="225 808 703 837">The pump has the following characteristics:</p> <ul data-bbox="264 837 782 1016" style="list-style-type: none"> - Impellers, intermediate chambers and outer sleeve are made of - Pump head cover and base are made of - The shaft seal has assembly length according to EN 12756. - Power transmission is via cast iron split coupling. <p data-bbox="225 1046 424 1075">flanges/couplings.</p> <p data-bbox="225 1106 600 1135">The motor is a 3-phase AC motor.</p> <p data-bbox="225 1167 336 1196">Controls:</p> <p data-bbox="225 1196 660 1225">Frequency converter: NONE</p> <p data-bbox="225 1256 309 1285">Liquid:</p> <p data-bbox="225 1285 660 1314">Pumped liquid: Water</p> <p data-bbox="225 1314 715 1344">Liquid temperature range: -4 .. 248 °F</p> <p data-bbox="225 1344 651 1373">Selected liquid temperature: 68 °F</p> <p data-bbox="225 1373 708 1402">Density: 62.29 lb/ft³</p> <p data-bbox="225 1433 349 1462">Technical:</p> <p data-bbox="225 1462 695 1491">Rated pump speed: 3484 rpm</p> <p data-bbox="225 1491 735 1520">Rated flow: 9.69 US gpm</p> <p data-bbox="225 1520 676 1550">Rated head: 190.6 ft</p> <p data-bbox="225 1550 676 1579">Pump orientation: Vertical</p> <p data-bbox="225 1579 660 1608">Shaft seal arrangement: Single</p> <p data-bbox="225 1608 660 1637">Code for shaft seal: HQQE</p> <p data-bbox="225 1637 759 1666">Approvals on nameplate: CURUS,NSF61</p> <p data-bbox="225 1666 788 1695">Curve tolerance: ISO9906:2012 3B</p> <p data-bbox="225 1727 344 1756">Materials:</p> <p data-bbox="225 1756 751 1843">Base: Stainless steel EN 1.4408 AISI 316</p> <p data-bbox="225 1843 751 1930">Impeller: Stainless steel EN 1.4401 AISI 316</p> <p data-bbox="225 1930 632 1960">Bearing: SIC</p> <p data-bbox="225 1991 368 2020">Installation:</p> <p data-bbox="225 2020 663 2049">Maximum ambient temperature: 140 °F</p> <p data-bbox="225 2049 703 2078">Maximum operating pressure: 362.59 psi</p>

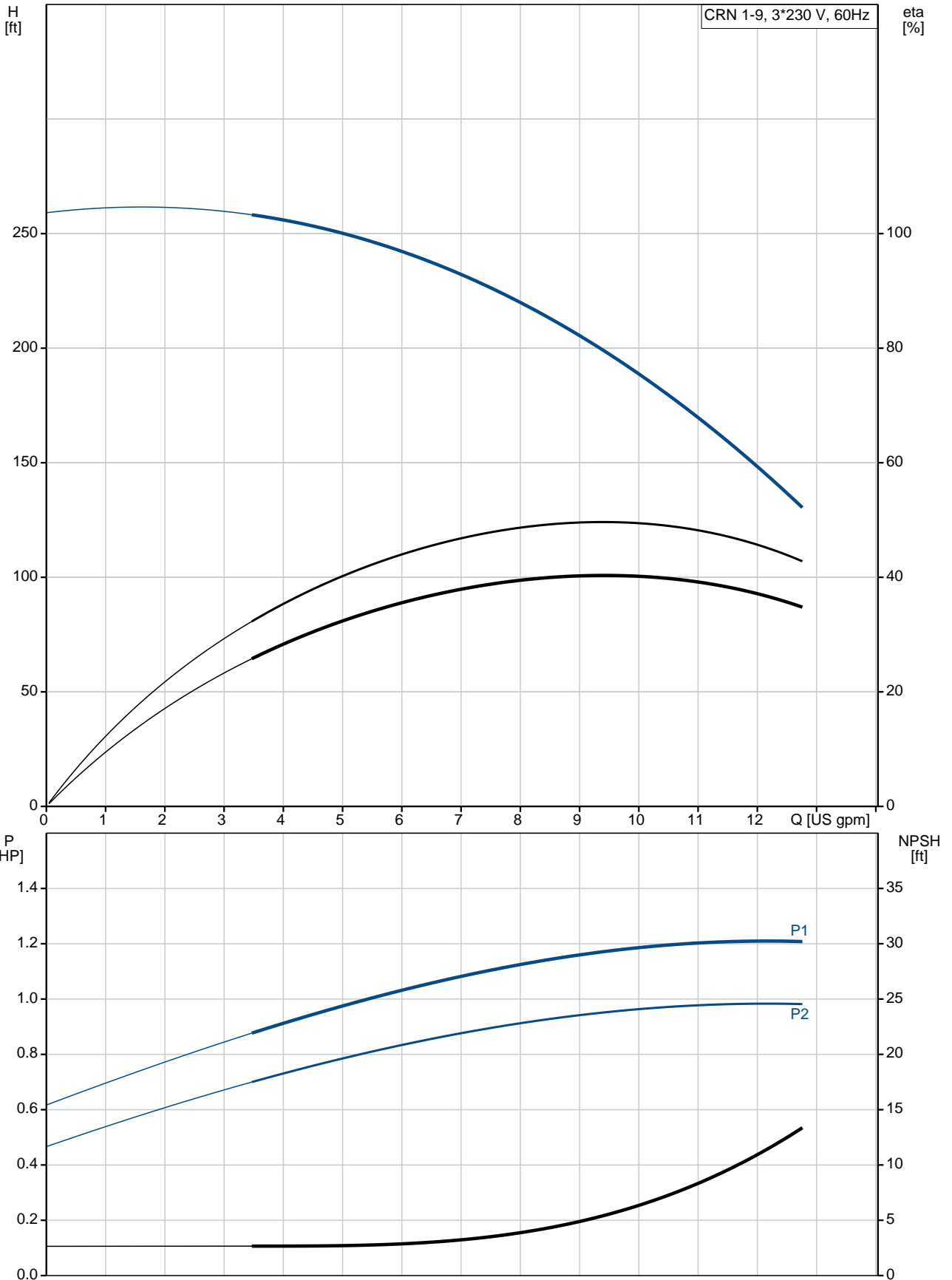
Count	Description
	<p>Max pressure at stated temperature: 363 psi / 250 °F 363 psi / -4 °F</p> <p>Type of connection: DIN / ANSI / JIS</p> <p>Size of inlet connection: DN 25/32</p> <p>Size of suction port: 1 1/4 inch</p> <p>Size of outlet connection: DN 25/32</p> <p>Size of outlet port: 1 1/4 inch</p> <p>Pressure rating for pipe connection: PN 25</p> <p>Flange rating inlet: 300 lb</p> <p>Flange size for motor: 56C</p> <p>Electrical data:</p> <p>Motor standard: NEMA</p> <p>Motor type: 71BB</p> <p>IE Efficiency class: NEMA Premium / IE3 60Hz</p> <p>Rated power - P2: 1 HP</p> <p>Power (P2) required by pump: 1 HP</p> <p>Main frequency: 60 Hz</p> <p>Rated voltage: 3 x 208-230YY/460Y V</p> <p>Service factor: 1.25</p> <p>Rated current: 3,25-3,35/1,68 A</p> <p>Starting current: 590-650 %</p> <p>Cos phi - power factor: 0.81-0.72</p> <p>Rated speed: 3430-3460 rpm</p> <p>IE efficiency: IE3 77,0%</p> <p>Motor efficiency at full load: 80.0 %</p> <p>Motor efficiency at 3/4 load: 79.5 %</p> <p>Motor efficiency at 1/2 load: 75.0 %</p> <p>Number of poles: 2</p> <p>Enclosure class (IEC 34-5): 55 Dust/Jetting</p> <p>Insulation class (IEC 85): F</p> <p>Motor Number: 85900703</p> <p>Others:</p> <p>Net weight: 57.1 lb</p> <p>Gross weight: 68.1 lb</p> <p>Shipping volume: 4.94 ft³</p> <p>Country of origin: US</p> <p>Custom tariff no.: 8413.70.2040</p>



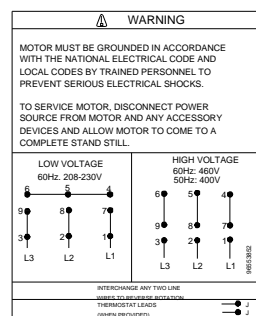
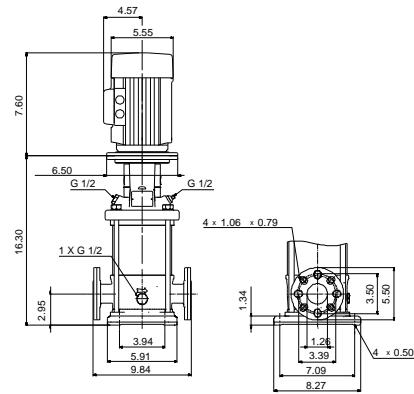
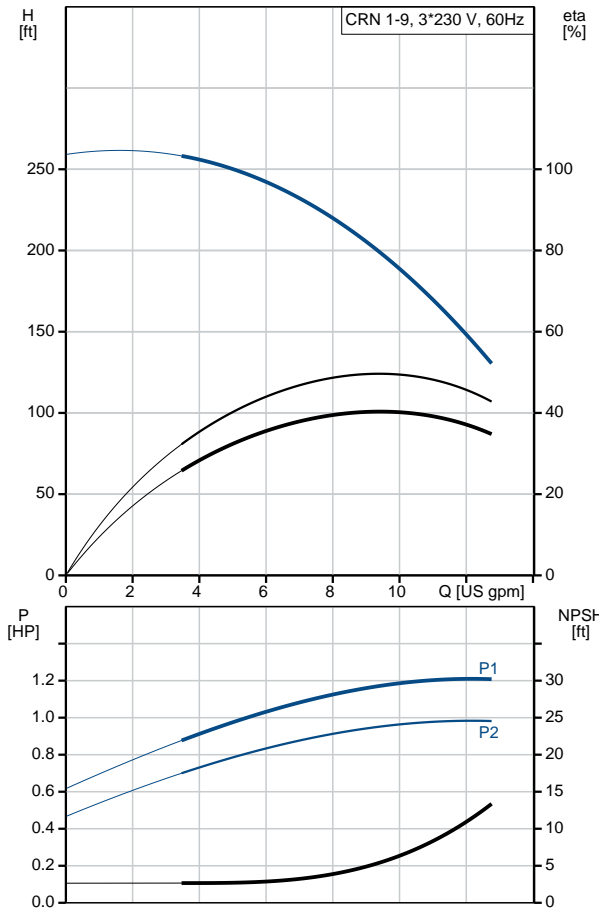
Company name:
Created by:
Phone:

Date: 4/30/2019

96082885 CRN 1-9A-FGJ-A-E-HQQE 60 Hz



Description	Value
General information:	
Product name:	CRN 1-9A-FGJ-A-E-HQQE
Product No.:	96082885
EAN:	5700395176230
Technical:	
Rated pump speed:	3484 rpm
Rated flow:	9.69 US gpm
Rated head:	190.6 ft
Head max:	260.5 ft
Stages:	9
Impellers:	9
Number of reduced-diameter impellers:	0
Low NPSH:	N
Pump orientation:	Vertical
Shaft seal arrangement:	Single
Code for shaft seal:	HQQE
Approvals on nameplate:	CURUS,NSF61
Curve tolerance:	ISO9906:2012 3B
Pump version:	A
Model:	A
Cooling:	TEFC
Materials:	
Base:	Stainless steel EN 1.4408 AISI 316
Impeller:	Stainless steel EN 1.4401 AISI 316
Material code:	A
Code for rubber:	E
Bearing:	SIC
Installation:	
Maximum ambient temperature:	140 °F
Maximum operating pressure:	362.59 psi
Max pressure at stated temperature:	363 psi / 250 °F 363 psi / -4 °F
Type of connection:	DIN / ANSI / JIS
Size of inlet connection:	DN 25/32
Size of suction port:	1 1/4 inch
Size of outlet connection:	DN 25/32
Size of outlet port:	1 1/4 inch
Pressure rating for pipe connection:	PN 25
Flange rating inlet:	300 lb
Flange size for motor:	56C
Connect code:	FGJ
Liquid:	
Pumped liquid:	Water
Liquid temperature range:	-4 .. 248 °F
Selected liquid temperature:	68 °F
Density:	62.29 lb/ft³
Electrical data:	
Motor standard:	NEMA
Motor type:	71BB
IE Efficiency class:	NEMA Premium / IE3 60Hz
Rated power - P2:	1 HP
Power (P2) required by pump:	1 HP





Company name:

Created by:

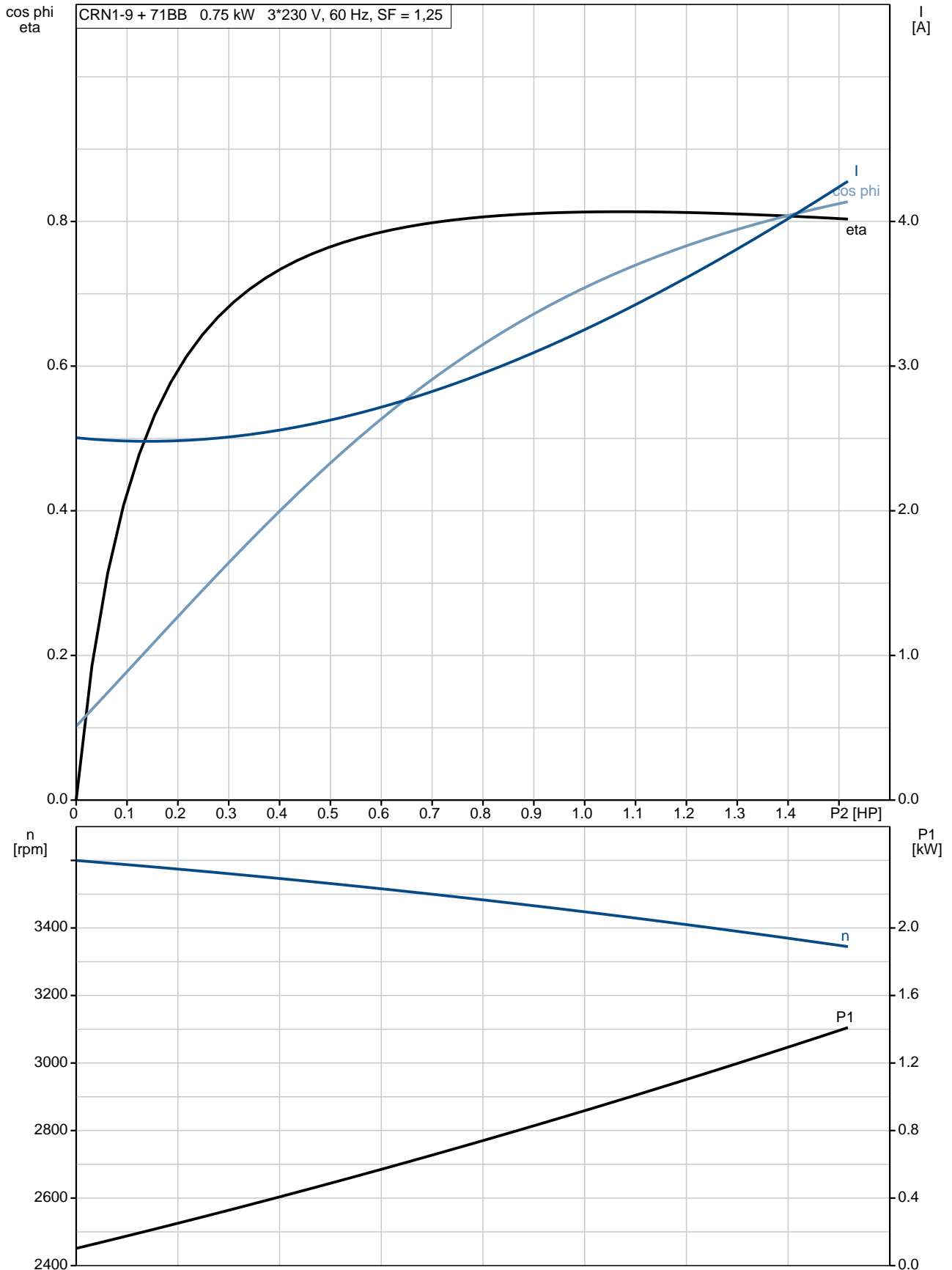
Phone:

Date:

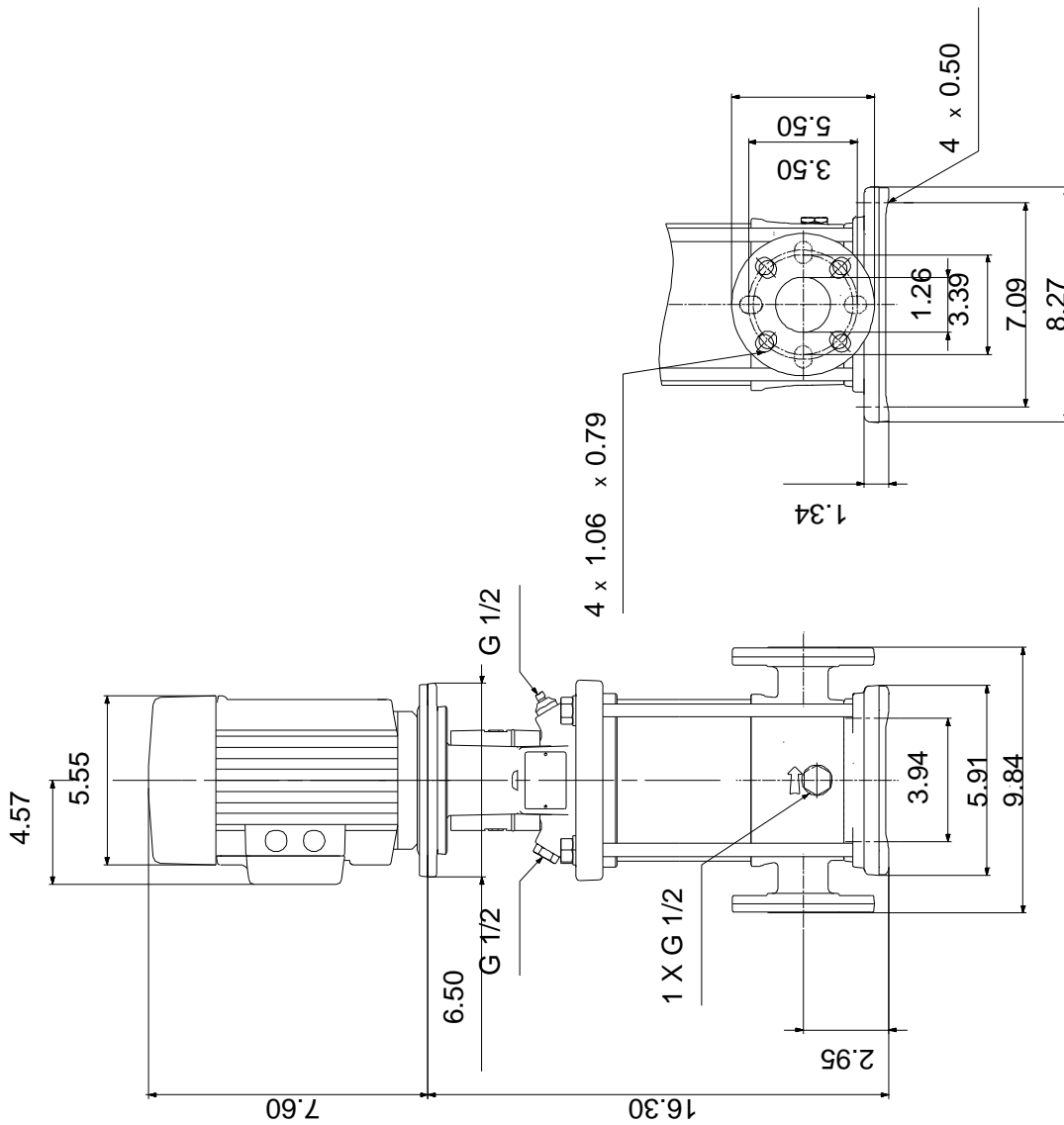
4/30/2019

Description	Value
Main frequency:	60 Hz
Rated voltage:	3 x 208-230YY/460Y V
Service factor:	1.25
Rated current:	3,25-3,35/1,68 A
Starting current:	590-650 %
Load current:	4,0-3,9/1,95 A
Cos phi - power factor:	0.81-0.72
Rated speed:	3430-3460 rpm
IE efficiency:	IE3 77,0%
Motor efficiency at full load:	80.0 %
Motor efficiency at 3/4 load:	79.5 %
Motor efficiency at 1/2 load:	75.0 %
Number of poles:	2
Enclosure class (IEC 34-5):	55 Dust/Jetting
Insulation class (IEC 85):	F
Motor protection:	NONE
Motor Number:	85900703
Controls:	
Frequency converter:	NONE
Others:	
Net weight:	57.1 lb
Gross weight:	68.1 lb
Shipping volume:	4.94 ft ³
Country of origin:	US
Custom tariff no.:	8413.70.2040

96082885 CRN 1-9A-FGJ-A-E-HQQE 60 Hz



96082885 CRN 1-9A-FGJ-A-E-HQQE 60 Hz



Note! All units are in [in] unless otherwise stated.
Disclaimer: This simplified dimensional drawing does not show all details.

96082885 CRN 1-9A-FGJ-A-E-HQQE 60 Hz

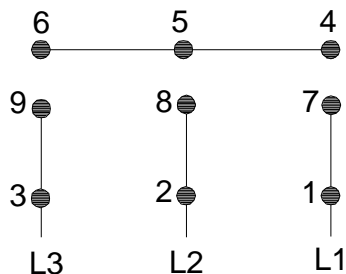


WARNING

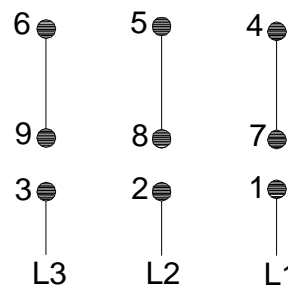
MOTOR MUST BE GROUNDED IN ACCORDANCE WITH THE NATIONAL ELECTRICAL CODE AND LOCAL CODES BY TRAINED PERSONNEL TO PREVENT SERIOUS ELECTRICAL SHOCKS.

TO SERVICE MOTOR, DISCONNECT POWER SOURCE FROM MOTOR AND ANY ACCESSORY DEVICES AND ALLOW MOTOR TO COME TO A COMPLETE STAND STILL.

LOW VOLTAGE 60Hz. 208-230V



HIGH VOLTAGE 60Hz: 460V 50Hz: 400V



96553852

INTERCHANGE ANY TWO LINE WIRES TO REVERSE ROTATION
THERMOSTAT LEADS
(WHEN PROVIDED)

