

PROJECT: _____	UNIT TAG: _____	QUANTITY: _____
REPRESENTATIVE: _____	TYPE OF SERVICE: _____	DATE: _____
ENGINEER: _____	SUBMITTED BY: _____	DATE: _____
CONTRACTOR: _____	APPROVED BY: _____	DATE: _____
	ORDER NO.: _____	DATE: _____

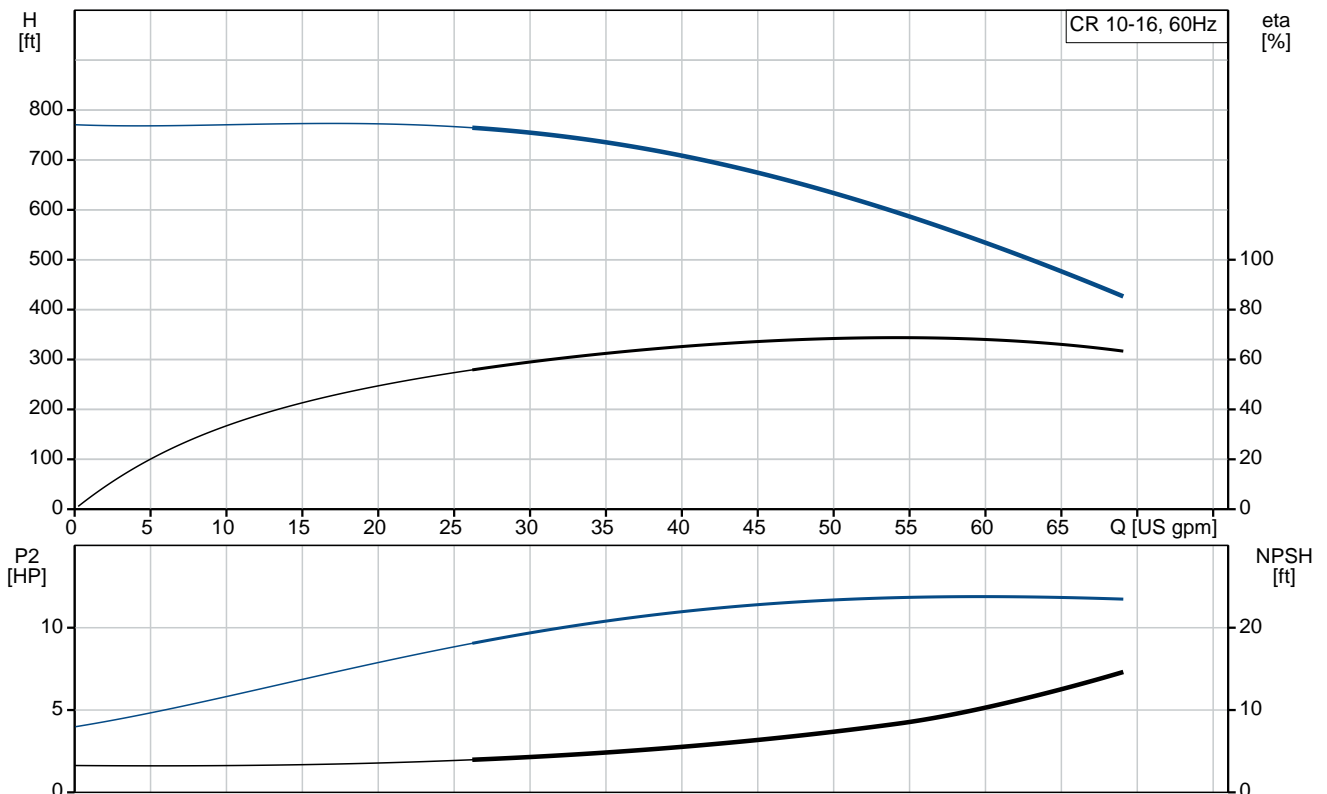


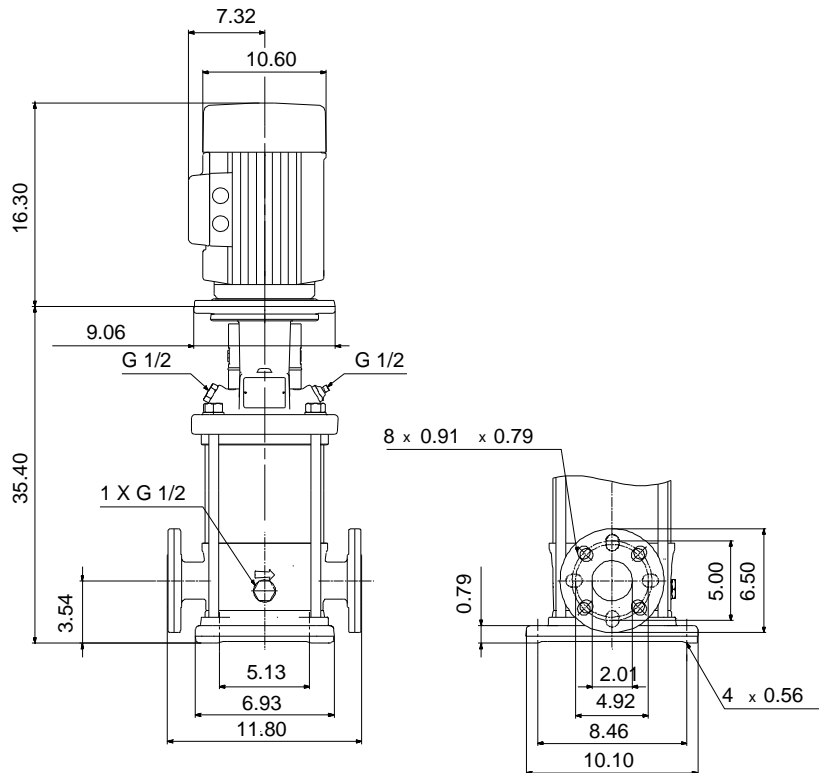
Product photo could vary from the actual product

CR 10-16A-GJ-A-V-HQQV

Vertical, multistage centrifugal pump with suction and discharge ports on the same level. The pump head and base are in cast iron. All other wetted parts are in stainless steel (EN 1.4301)(AISI 304)

Conditions of Service	Pump Data	Motor Data
Flow: _____	Max pressure at stated temperature: 363 psi / 194 °F	Rated power - P2: 15 HP
Head: _____	Liquid temperature range: -4 .. 194 °F	Rated voltage: 208-230/460 V
Efficiency: _____	Maximum ambient temperature: 104 °F	Main frequency: 60 Hz
Liquid: Water	Approvals: CURUS	Enclosure class: 23 >12.5mm/Spraying
Temperature: 68 °F	Shaft seal: HQQV	Insulation class: F
NPSH required: ft	Product number: 96522678	Motor protection: NONE
Viscosity: _____		Motor type: Baldor
Specific Gravity: 1.000		





Materials:

Base: Cast iron
 EN 1561 EN-GJL-200
 ASTM A48-25B

Impeller: Stainless steel
 AISI 304
 EN 1.4301

Material code: A
 Code for rubber: V

Count	Description
1	<p data-bbox="225 338 526 369">CR 10-16A-GJ-A-V-HQQV</p>  <p data-bbox="619 770 1072 795">Product photo could vary from the actual product</p> <p data-bbox="225 801 491 831">Product No.: 96522678</p> <p data-bbox="225 833 746 918">Vertical, non-self-priming, multistage, in-line, centrifugal pump for installation in pipe systems and mounting on a foundation.</p> <p data-bbox="225 949 702 978">The pump has the following characteristics:</p> <ul data-bbox="263 981 849 1039" style="list-style-type: none"> - Impellers and intermediate chambers are made of - The shaft seal has assembly length <p data-bbox="225 1041 486 1070">according to EN 12756.</p> <ul data-bbox="263 1072 735 1131" style="list-style-type: none"> - Power transmission is via cast iron split coupling. <p data-bbox="225 1162 600 1191">The motor is a 3-phase AC motor.</p> <p data-bbox="225 1223 327 1252">Controls:</p> <p data-bbox="225 1252 662 1281">Frequency converter: NONE</p> <p data-bbox="225 1312 311 1341">Liquid:</p> <p data-bbox="225 1341 657 1370">Pumped liquid: Water</p> <p data-bbox="225 1370 715 1400">Liquid temperature range: -4 .. 194 °F</p> <p data-bbox="225 1400 651 1429">Selected liquid temperature: 68 °F</p> <p data-bbox="225 1429 710 1458">Density: 62.29 lb/ft³</p> <p data-bbox="225 1489 351 1518">Technical:</p> <p data-bbox="225 1518 695 1547">Rated pump speed: 3444 rpm</p> <p data-bbox="225 1547 735 1576">Rated flow: 53.3 US gpm</p> <p data-bbox="225 1576 676 1606">Rated head: 603.7 ft</p> <p data-bbox="225 1606 676 1635">Pump orientation: Vertical</p> <p data-bbox="225 1635 660 1664">Shaft seal arrangement: Single</p> <p data-bbox="225 1664 665 1693">Code for shaft seal: HQQV</p> <p data-bbox="225 1693 679 1722">Approvals on nameplate: CURUS</p> <p data-bbox="225 1722 788 1751">Curve tolerance: ISO9906:2012 3B</p> <p data-bbox="225 1783 343 1812">Materials:</p> <p data-bbox="225 1812 831 1899">Base: Cast iron EN 1561 EN-GJL-200 ASTM A48-25B</p> <p data-bbox="225 1901 751 1960">Impeller: Stainless steel EN 1.4301</p> <p data-bbox="225 1962 687 2020">Bearing: AISI 304 SIC</p> <p data-bbox="225 2051 367 2080">Installation:</p> <p data-bbox="225 2080 663 2110">Maximum ambient temperature: 104 °F</p>



Company name:

Created by:

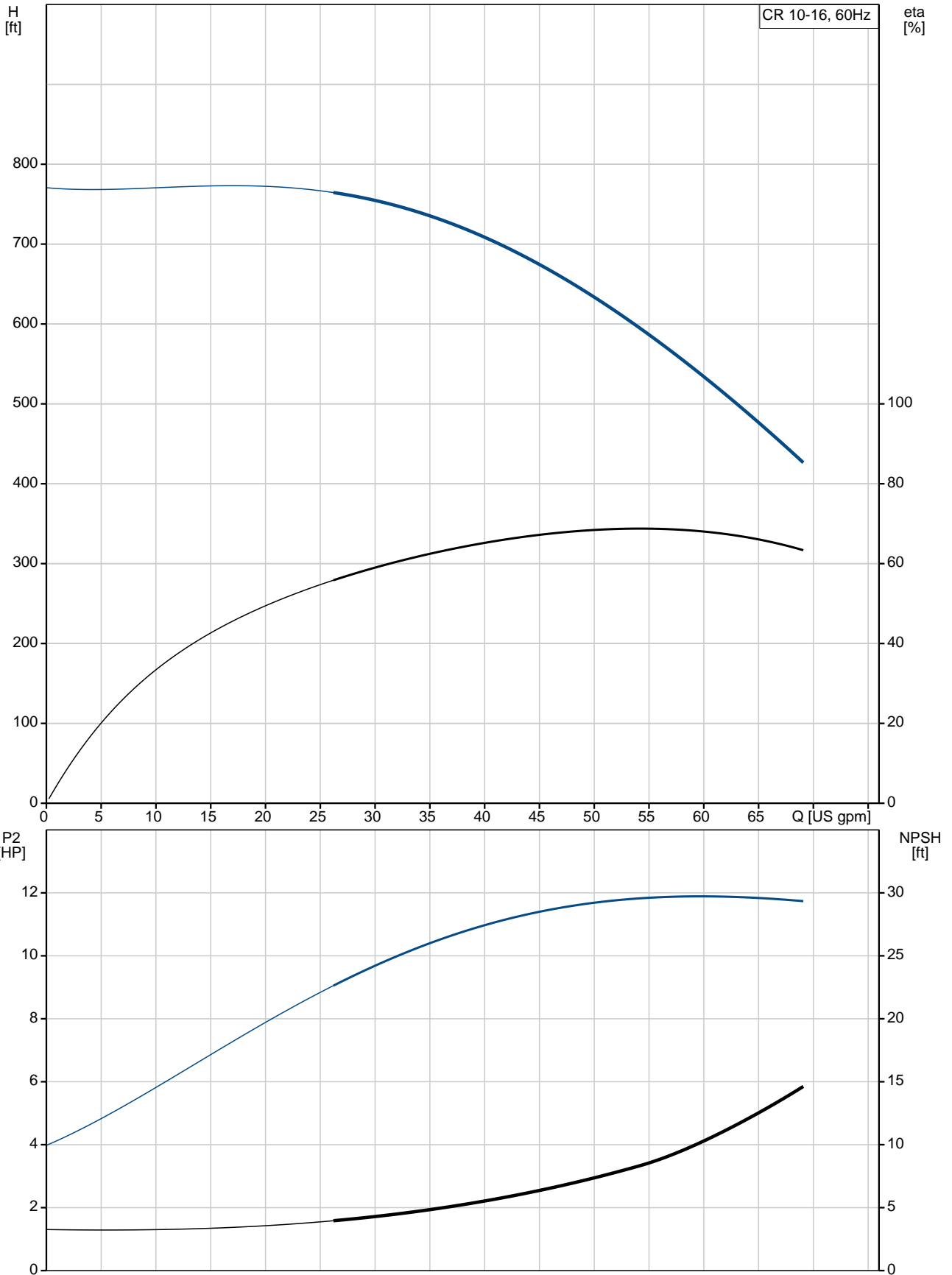
Phone:

Date:

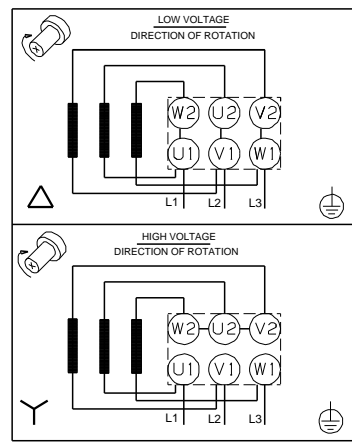
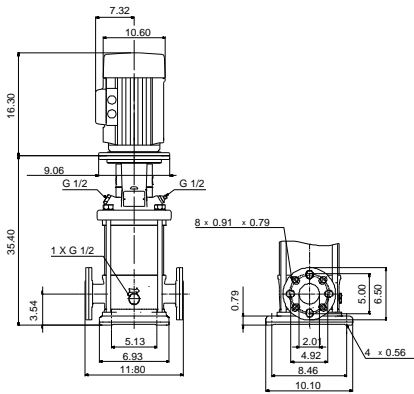
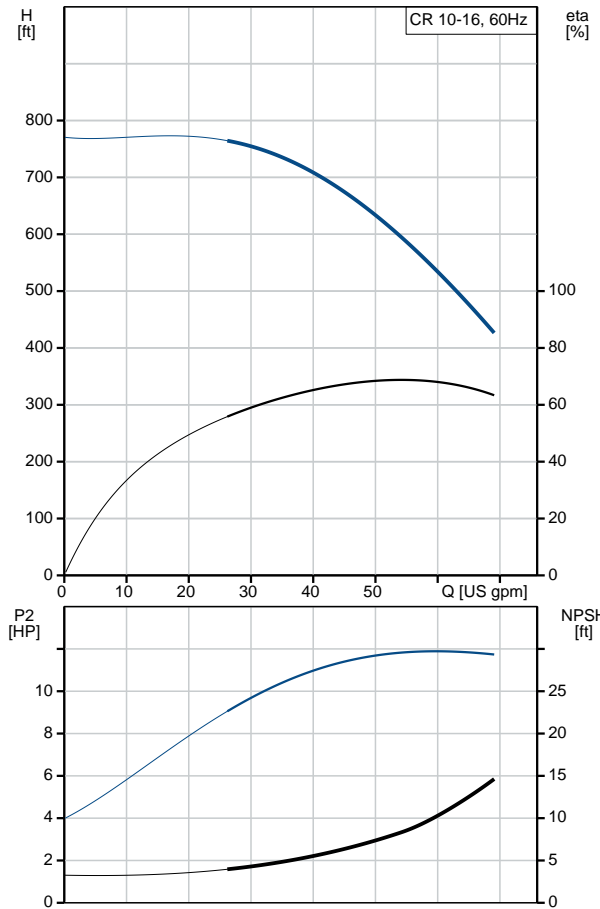
4/17/2019

Count	Description
	Maximum operating pressure: 362.59 psi Max pressure at stated temperature: 363 psi / 194 °F 363 psi / -4 °F
	Type of connection: ANSI / JIS Size of inlet connection: DN 50 Size of suction port: 2 inch Size of outlet connection: DN 50 Size of outlet port: 2 inch Pressure rating for pipe connection: PN 25 Flange rating inlet: 300 lb Flange size for motor: 254TC
	Electrical data: Motor standard: NEMA Motor type: Baldor IE Efficiency class: NEMA Premium / IE3 60Hz Rated power - P2: 15 HP Power (P2) required by pump: 15 HP Main frequency: 60 Hz Rated voltage: 3 x 208-230/460 V Service factor: 1.15 Rated current: 36-35/17.5 A Rated speed: 3475 rpm Number of poles: 2 Enclosure class (IEC 34-5): 23 >12.5mm/Spraying Insulation class (IEC 85): F Motor Number: 84Z00H19
	Others: Net weight: 295 lb Gross weight: 410 lb Shipping volume: 17.2 ft ³ Country of origin: US Custom tariff no.: 8413.70.2040

96522678 CR 10-16A-GJ-A-V-HQQV 60 Hz



Description	Value
General information:	
Product name:	CR 10-16A-GJ-A-V-HQQV
Product No.:	96522678
EAN:	5700396891613
Technical:	
Rated pump speed:	3444 rpm
Rated flow:	53.3 US gpm
Rated head:	603.7 ft
Head max:	771 ft
Stages:	16
Impellers:	16
Number of reduced-diameter impellers:	0
Low NPSH:	N
Pump orientation:	Vertical
Shaft seal arrangement:	Single
Code for shaft seal:	HQQV
Approvals on nameplate:	CURUS
Curve tolerance:	ISO9906:2012 3B
Pump version:	A
Model:	A
Cooling:	ODP
Materials:	
Base:	Cast iron
	EN 1561 EN-GJL-200
	ASTM A48-25B
Impeller:	Stainless steel
	EN 1.4301
	AISI 304
Material code:	A
Code for rubber:	V
Bearing:	SIC
Installation:	
Maximum ambient temperature:	104 °F
Maximum operating pressure:	362.59 psi
Max pressure at stated temperature:	363 psi / 194 °F
	363 psi / -4 °F
Type of connection:	ANSI / JIS
Size of inlet connection:	DN 50
Size of suction port:	2 inch
Size of outlet connection:	DN 50
Size of outlet port:	2 inch
Pressure rating for pipe connection:	PN 25
Flange rating inlet:	300 lb
Flange size for motor:	254TC
Connect code:	GJ
Liquid:	
Pumped liquid:	Water
Liquid temperature range:	-4 .. 194 °F
Selected liquid temperature:	68 °F
Density:	62.29 lb/ft³
Electrical data:	
Motor standard:	NEMA
Motor type:	Baldor
IE Efficiency class:	NEMA Premium / IE3 60Hz
Rated power - P2:	15 HP
Power (P2) required by pump:	15 HP





Company name:

Created by:

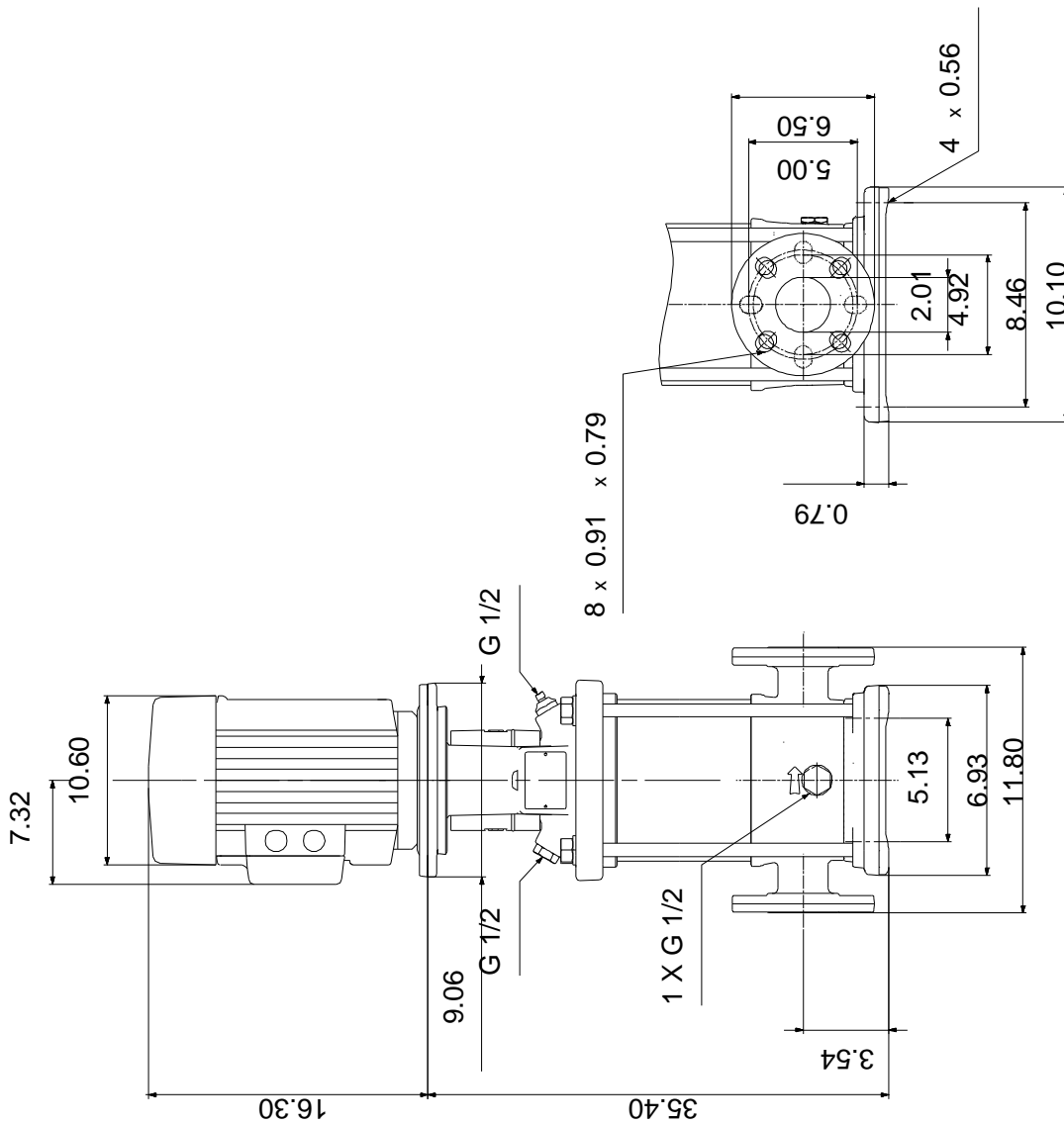
Phone:

Date:

4/17/2019

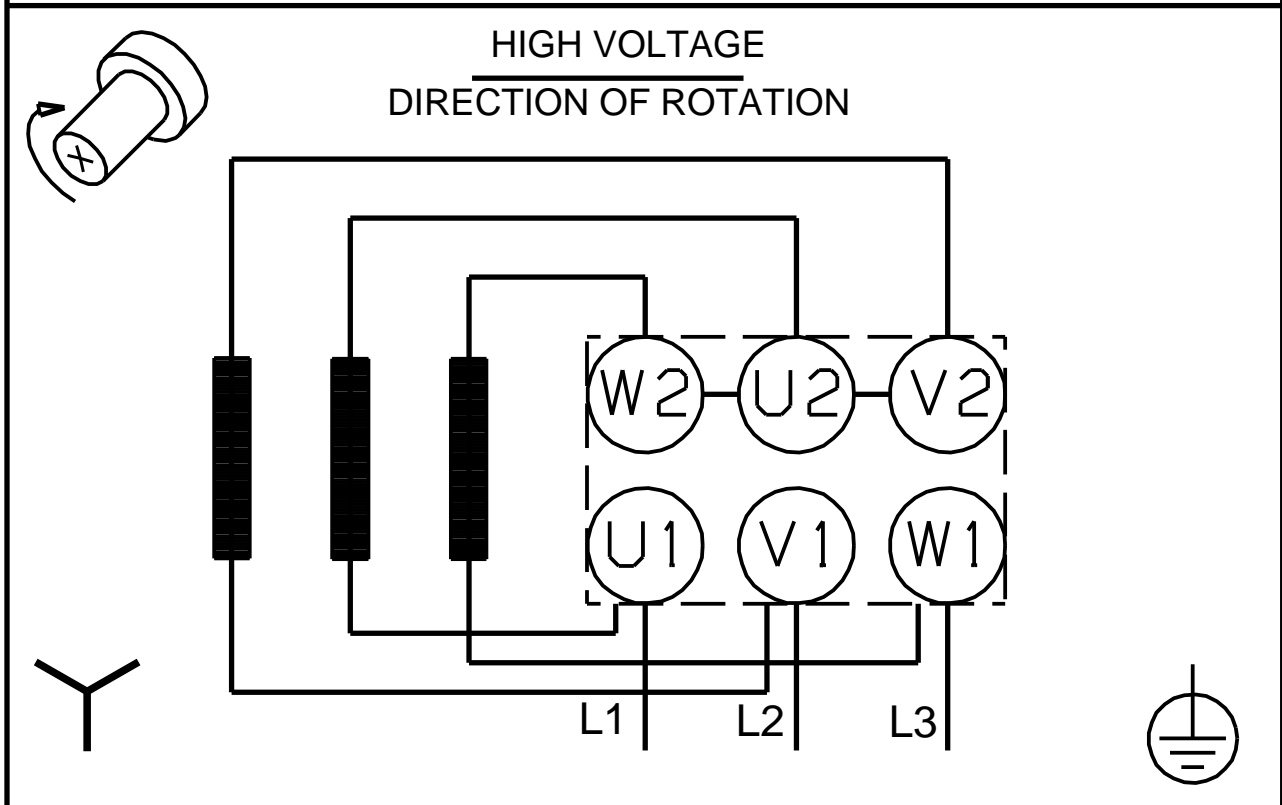
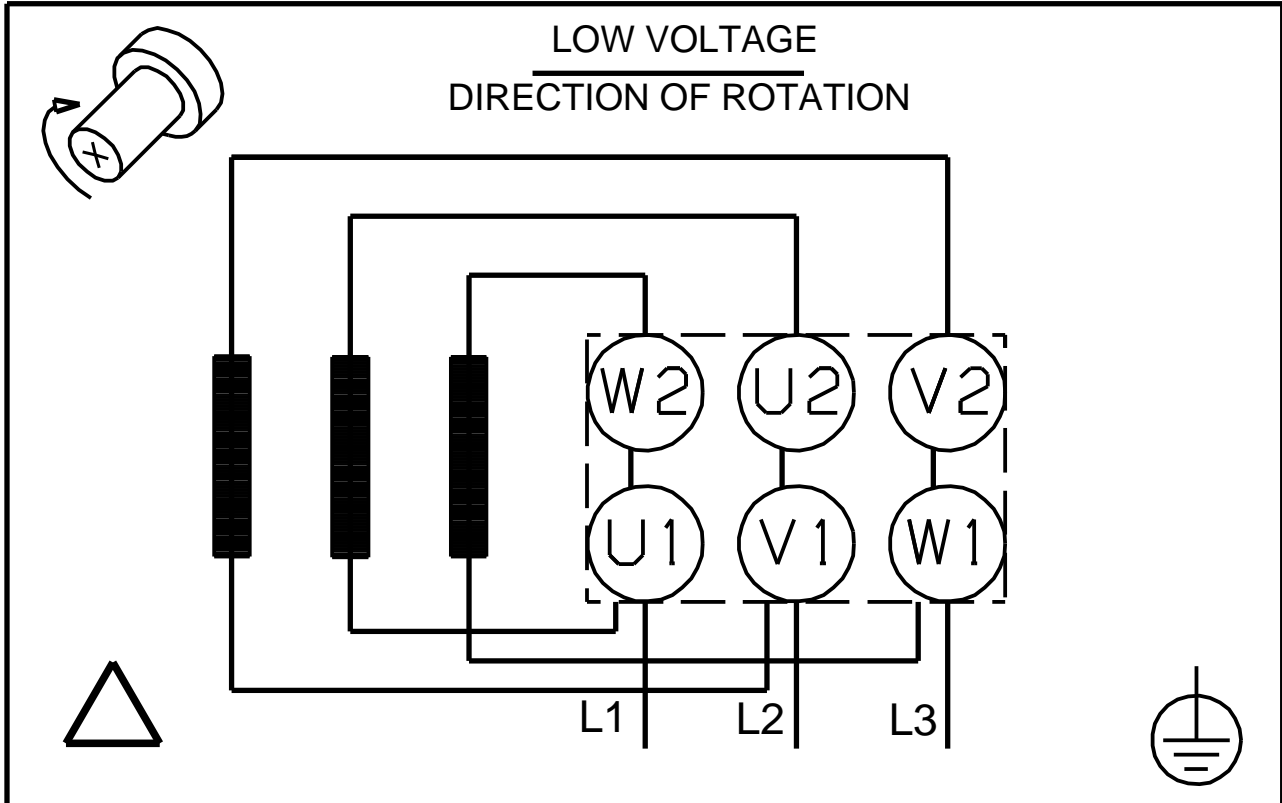
Description	Value
Main frequency:	60 Hz
Rated voltage:	3 x 208-230/460 V
Service factor:	1.15
Rated current:	36-35/17.5 A
Load current:	42-39.2/19.6 A
Rated speed:	3475 rpm
Number of poles:	2
Enclosure class (IEC 34-5):	23 >12.5mm/Spraying
Insulation class (IEC 85):	F
Motor protection:	NONE
Motor Number:	84Z00H19
Controls:	
Frequency converter:	NONE
Others:	
Net weight:	295 lb
Gross weight:	410 lb
Shipping volume:	17.2 ft ³
Country of origin:	US
Custom tariff no.:	8413.70.2040

96522678 CR 10-16A-GJ-A-V-HQQV 60 Hz



Note! All units are in [in] unless otherwise stated.
Disclaimer: This simplified dimensional drawing does not show all details.

96522678 CR 10-16A-GJ-A-V-HQQV 60 Hz



All units are [in] unless otherwise presented.