

PROJECT: _____	UNIT TAG: _____	QUANTITY: _____
REPRESENTATIVE: _____	TYPE OF SERVICE: _____	DATE: _____
ENGINEER: _____	SUBMITTED BY: _____	DATE: _____
CONTRACTOR: _____	APPROVED BY: _____	DATE: _____
	ORDER NO.: _____	DATE: _____

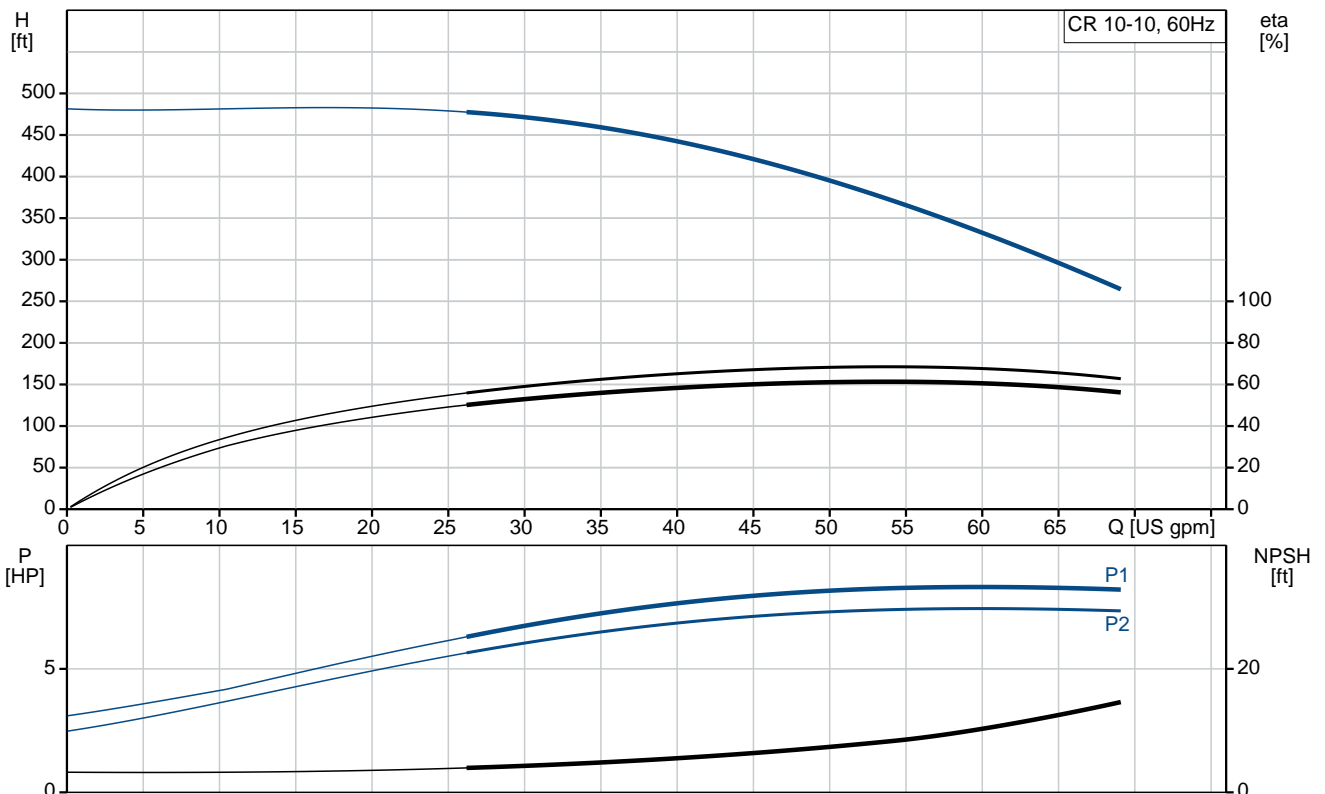


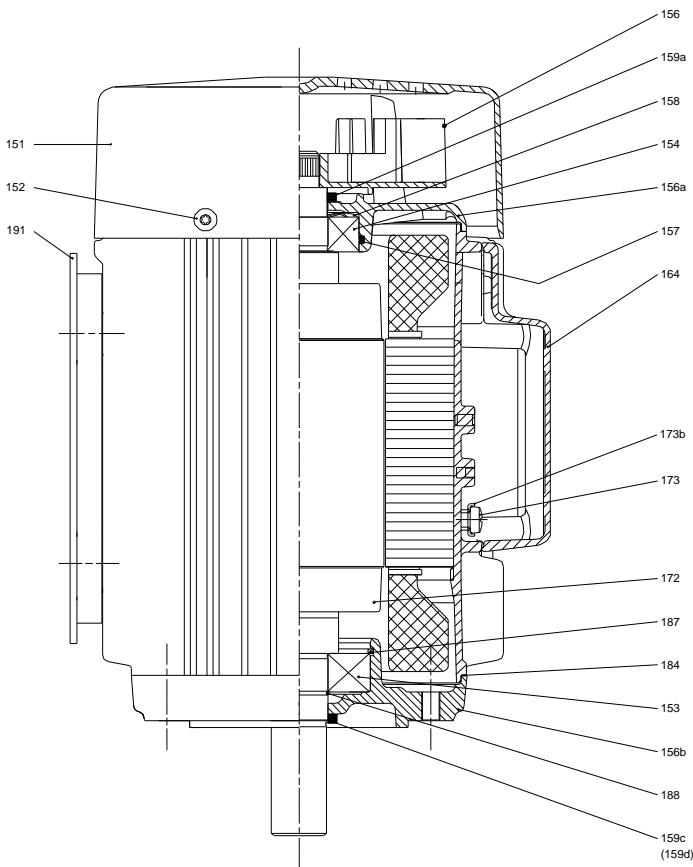
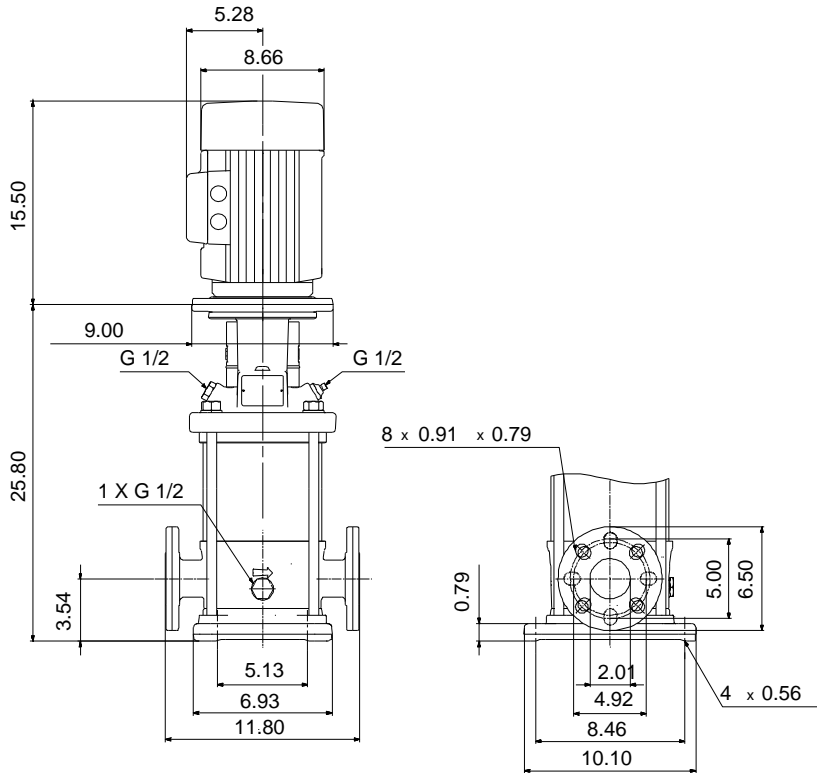
CR 10-10A-GJ-A-V-HQQV

Vertical, multistage centrifugal pump with suction and discharge ports on the same level. The pump head and base are in cast iron. All other wetted parts are in stainless steel (EN 1.4301)(AISI 304)

Product photo could vary from the actual product


Conditions of Service	Pump Data	Motor Data
Flow: _____	Max pressure at stated temperature: 232 psi / 194 °F	Rated power - P2: 7.5 HP
Head: _____	Liquid temperature range: -4 .. 194 °F	Rated voltage: 208-230YY/460Y V
Efficiency: _____	Maximum ambient temperature: 140 °F	Main frequency: 60 Hz
Liquid: Water	Approvals: CURUS	Enclosure class: 55 Dust/Jetting
Temperature: 68 °F	Shaft seal: HQQV	Insulation class: F
NPSH required: ft	Product number: 96523190	Motor protection: PTC
Viscosity: _____		Motor type: 132DA
Specific Gravity: 1.000		Motor_efficiency: 89.5 %





Materials:

- Base: Cast iron
EN 1561 EN-GJL-200
ASTM A48-25B
- Impeller: Stainless steel
AISI 304
EN 1.4301
- Material code: A
- Code for rubber: V

Count	Description
1	<p data-bbox="225 338 526 360">CR 10-10A-GJ-A-V-HQQV</p>  <p data-bbox="225 660 494 683">Product No.: 96523190</p> <p data-bbox="225 689 750 772">Vertical, non-self-priming, multistage, in-line, centrifugal pump for installation in pipe systems and mounting on a foundation.</p> <p data-bbox="225 806 702 828">The pump has the following characteristics:</p> <ul data-bbox="263 840 853 974" style="list-style-type: none"> - Impellers and intermediate chambers are made of - The shaft seal has assembly length according to EN 12756. - Power transmission is via cast iron split coupling. <p data-bbox="225 1019 598 1041">The motor is a 3-phase AC motor.</p> <p data-bbox="225 1075 327 1097">Controls:</p> <p data-bbox="225 1108 662 1131">Frequency converter: NONE</p> <p data-bbox="225 1164 311 1187">Liquid:</p> <p data-bbox="225 1198 662 1220">Pumped liquid: Water</p> <p data-bbox="225 1227 710 1249">Liquid temperature range: -4 .. 194 °F</p> <p data-bbox="225 1256 662 1279">Selected liquid temperature: 68 °F</p> <p data-bbox="225 1285 710 1308">Density: 62.29 lb/ft³</p> <p data-bbox="225 1344 351 1366">Technical:</p> <p data-bbox="225 1377 694 1400">Rated pump speed: 3467 rpm</p> <p data-bbox="225 1406 734 1429">Rated flow: 53.3 US gpm</p> <p data-bbox="225 1435 678 1458">Rated head: 376.3 ft</p> <p data-bbox="225 1464 678 1487">Pump orientation: Vertical</p> <p data-bbox="225 1494 662 1516">Shaft seal arrangement: Single</p> <p data-bbox="225 1523 662 1545">Code for shaft seal: HQQV</p> <p data-bbox="225 1552 678 1574">Approvals on nameplate: CURUS</p> <p data-bbox="225 1581 790 1603">Curve tolerance: ISO9906:2012 3B</p> <p data-bbox="225 1639 343 1662">Materials:</p> <p data-bbox="225 1673 829 1758">Base: Cast iron EN 1561 EN-GJL-200 ASTM A48-25B</p> <p data-bbox="225 1765 750 1850">Impeller: Stainless steel EN 1.4301 AISI 304</p> <p data-bbox="225 1856 630 1879">Bearing: SIC</p> <p data-bbox="225 1915 367 1937">Installation:</p> <p data-bbox="225 1944 662 1966">Maximum ambient temperature: 140 °F</p> <p data-bbox="225 1973 710 1995">Maximum operating pressure: 232.06 psi</p> <p data-bbox="225 2002 829 2065">Max pressure at stated temperature: 232 psi / 194 °F 232 psi / -4 °F</p> <p data-bbox="225 2072 710 2094">Type of connection: ANSI / JIS</p>



Company name:

Created by:

Phone:

Date:

4/17/2019

Count	Description
	Size of inlet connection: DN 50
	Size of suction port: 2 inch
	Size of outlet connection: DN 50
	Size of outlet port: 2 inch
	Pressure rating for pipe connection: PN 25
	Flange rating inlet: 300 lb
	Flange size for motor: 213TC
	Electrical data:
	Motor standard: NEMA
	Motor type: 132DA
	IE Efficiency class: NEMA Premium / IE3 60Hz
	Rated power - P2: 7.5 HP
	Power (P2) required by pump: 7.5 HP
	Main frequency: 60 Hz
	Rated voltage: 3 x 208-230YY/460Y V
	Service factor: 1.15
	Rated current: 19,5-18,1/9,09 A
	Starting current: 1020-1480 %
	Cos phi - power factor: 0.89-0.86
	Rated speed: 3490-3515 rpm
	IE efficiency: IE3 89,5%
	Motor efficiency at full load: 89.5 %
	Motor efficiency at 3/4 load: 89.7 %
	Motor efficiency at 1/2 load: 88.3 %
	Number of poles: 2
	Enclosure class (IEC 34-5): 55 Dust/Jetting
	Insulation class (IEC 85): F
	Motor Number: 85904392
	Others:
	Net weight: 203 lb
	Gross weight: 223 lb
	Shipping volume: 10.1 ft ³
	Country of origin: US
	Custom tariff no.: 8413.70.2040



Company name:

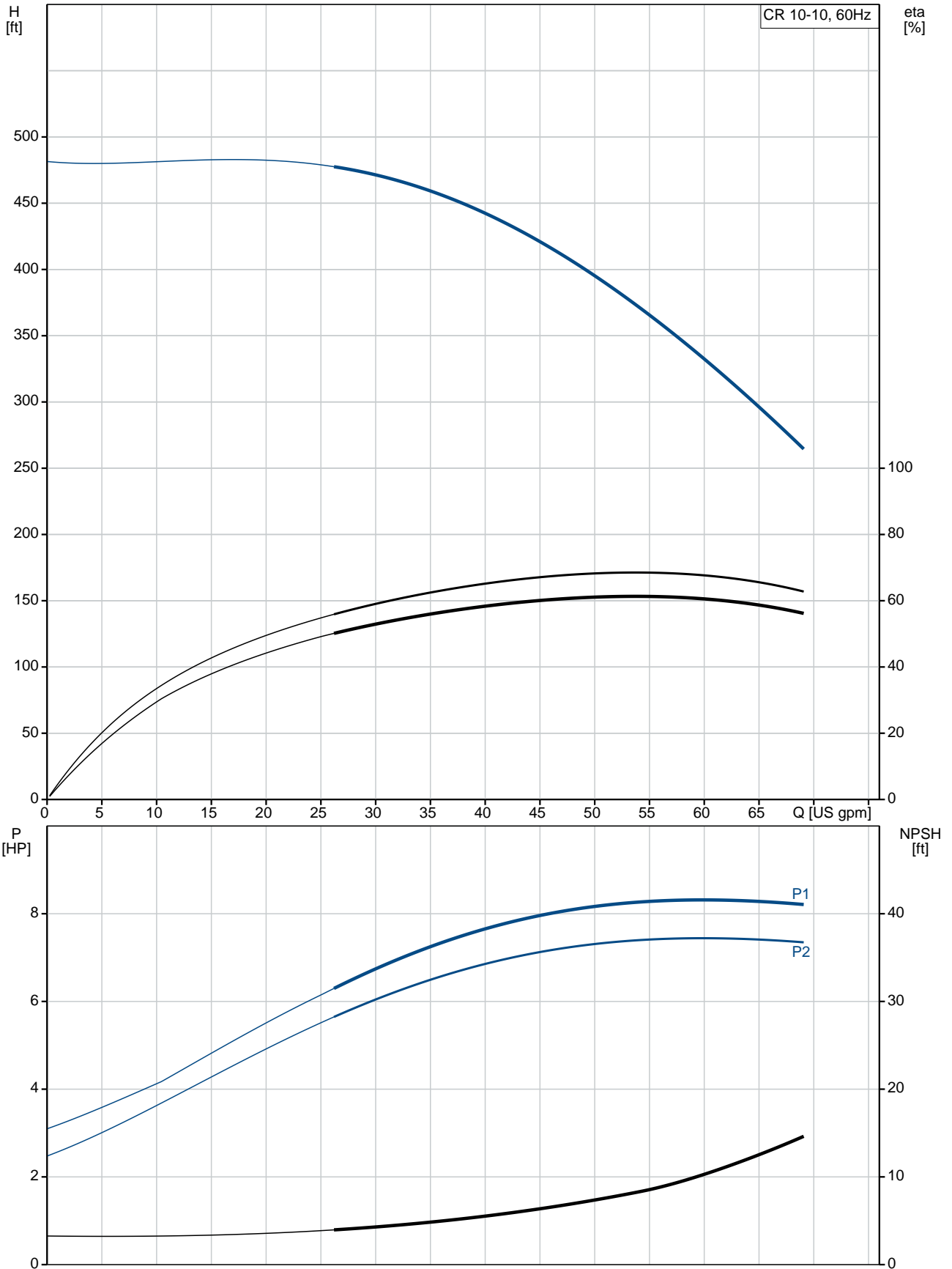
Created by:

Phone:

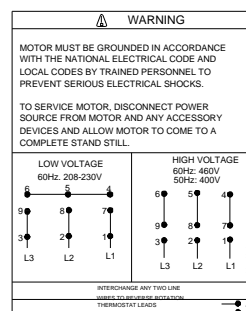
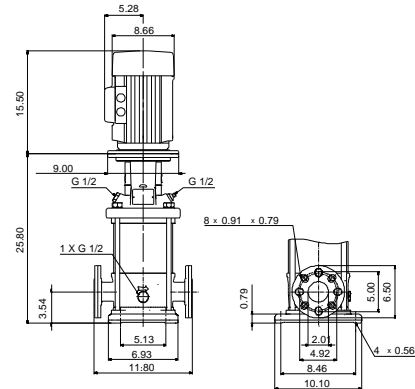
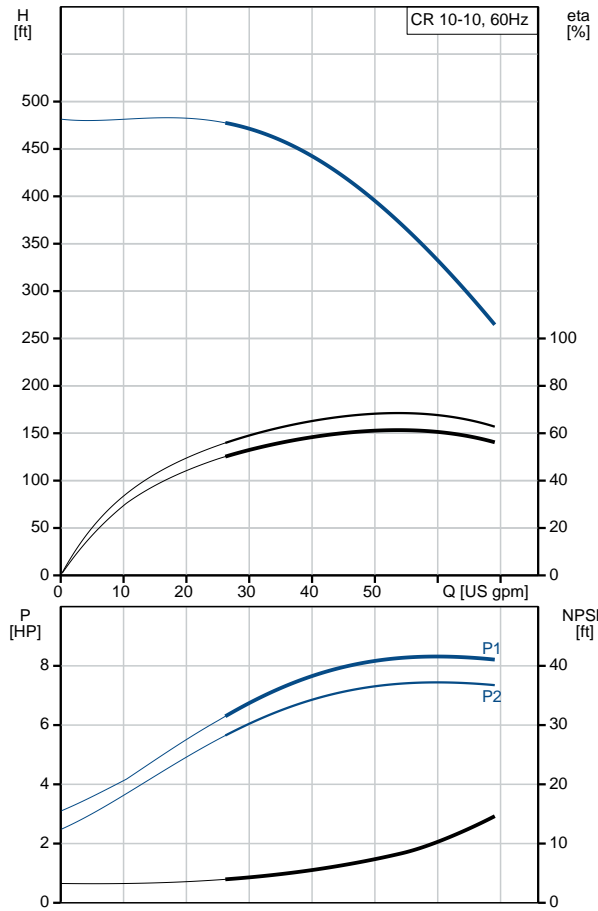
Date:

4/17/2019

96523190 CR 10-10A-GJ-A-V-HQQV 60 Hz



Description	Value
General information:	
Product name:	CR 10-10A-GJ-A-V-HQQV
Product No.:	96523190
EAN:	5700396899770
Technical:	
Rated pump speed:	3467 rpm
Rated flow:	53.3 US gpm
Rated head:	376.3 ft
Head max:	482.3 ft
Stages:	10
Impellers:	10
Number of reduced-diameter impellers:	0
Low NPSH:	N
Pump orientation:	Vertical
Shaft seal arrangement:	Single
Code for shaft seal:	HQQV
Approvals on nameplate:	CURUS
Curve tolerance:	ISO9906:2012 3B
Pump version:	A
Model:	A
Cooling:	TEFC
Materials:	
Base:	Cast iron
	EN 1561 EN-GJL-200
	ASTM A48-25B
Impeller:	Stainless steel
	EN 1.4301
	AISI 304
Material code:	A
Code for rubber:	V
Bearing:	SIC
Installation:	
Maximum ambient temperature:	140 °F
Maximum operating pressure:	232.06 psi
Max pressure at stated temperature:	232 psi / -4 °F
Type of connection:	ANSI / JIS
Size of inlet connection:	DN 50
Size of suction port:	2 inch
Size of outlet connection:	DN 50
Size of outlet port:	2 inch
Pressure rating for pipe connection:	PN 25
Flange rating inlet:	300 lb
Flange size for motor:	213TC
Connect code:	GJ
Liquid:	
Pumped liquid:	Water
Liquid temperature range:	-4 .. 194 °F
Selected liquid temperature:	68 °F
Density:	62.29 lb/ft³
Electrical data:	
Motor standard:	NEMA
Motor type:	132DA
IE Efficiency class:	NEMA Premium / IE3 60Hz
Rated power - P2:	7.5 HP
Power (P2) required by pump:	7.5 HP





Company name:

Created by:

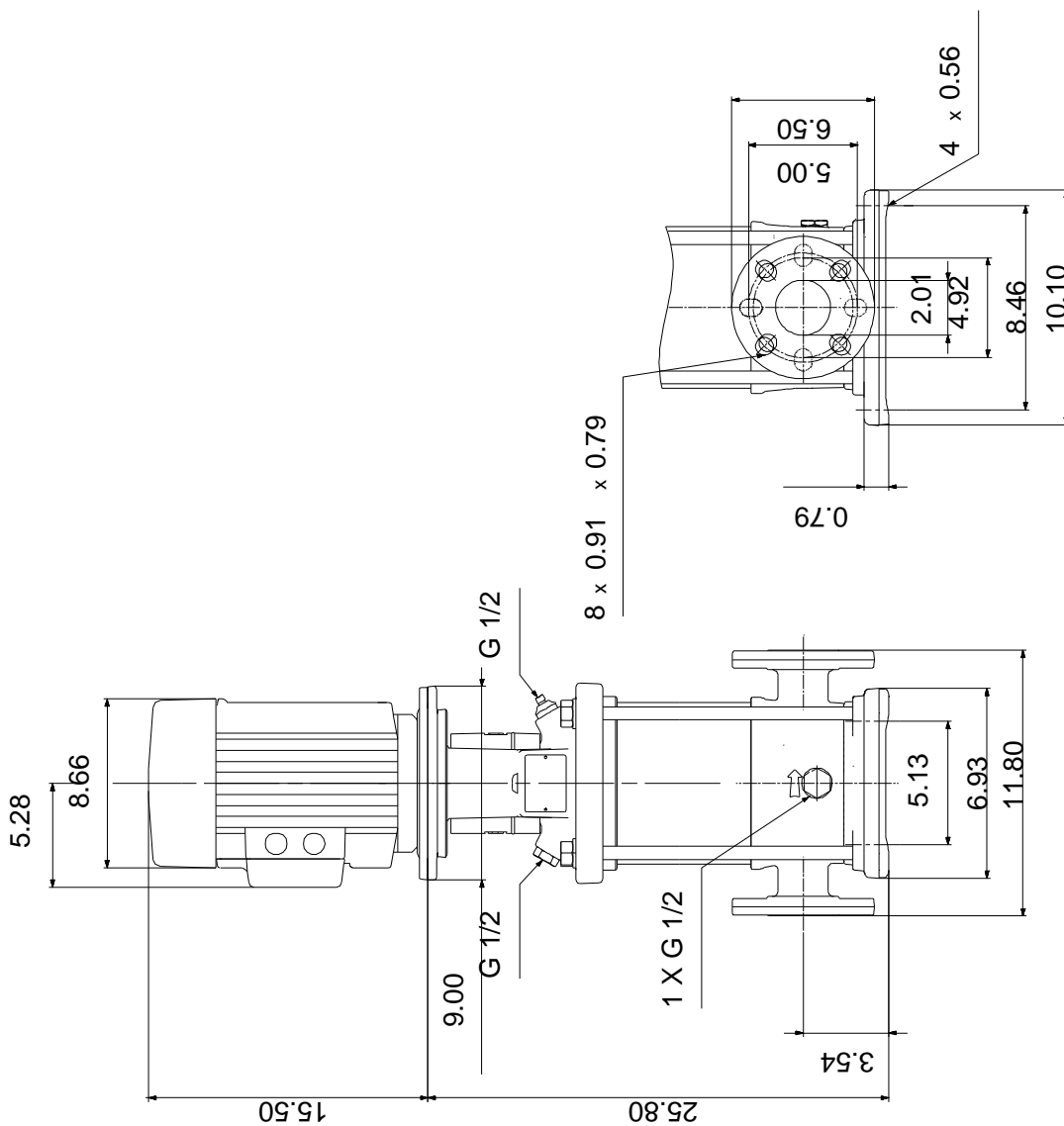
Phone:

Date:

4/17/2019

Description	Value
Main frequency:	60 Hz
Rated voltage:	3 x 208-230YY/460Y V
Service factor:	1.15
Rated current:	19,5-18,1/9,09 A
Starting current:	1020-1480 %
Load current:	22,4-20,8/10,4 A
Cos phi - power factor:	0.89-0.86
Rated speed:	3490-3515 rpm
IE efficiency:	IE3 89,5%
Motor efficiency at full load:	89.5 %
Motor efficiency at 3/4 load:	89.7 %
Motor efficiency at 1/2 load:	88.3 %
Number of poles:	2
Enclosure class (IEC 34-5):	55 Dust/Jetting
Insulation class (IEC 85):	F
Motor protection:	PTC
Motor Number:	85904392
Controls:	
Frequency converter:	NONE
Others:	
Net weight:	203 lb
Gross weight:	223 lb
Shipping volume:	10.1 ft ³
Country of origin:	US
Custom tariff no.:	8413.70.2040

96523190 CR 10-10A-GJ-A-V-HQQV 60 Hz



Note! All units are in [in] unless otherwise stated.
Disclaimer: This simplified dimensional drawing does not show all details.

96523190 CR 10-10A-GJ-A-V-HQQV 60 Hz

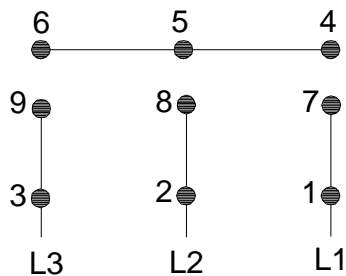


WARNING

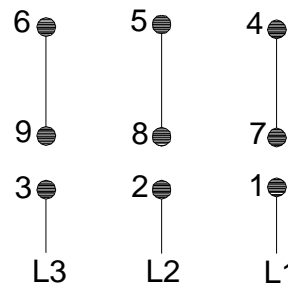
MOTOR MUST BE GROUNDED IN ACCORDANCE WITH THE NATIONAL ELECTRICAL CODE AND LOCAL CODES BY TRAINED PERSONNEL TO PREVENT SERIOUS ELECTRICAL SHOCKS.

TO SERVICE MOTOR, DISCONNECT POWER SOURCE FROM MOTOR AND ANY ACCESSORY DEVICES AND ALLOW MOTOR TO COME TO A COMPLETE STAND STILL.

LOW VOLTAGE 60Hz. 208-230V



HIGH VOLTAGE 60Hz: 460V 50Hz: 400V



96553852

INTERCHANGE ANY TWO LINE WIRES TO REVERSE ROTATION
THERMOSTAT LEADS
(WHEN PROVIDED)

