

PROJECT: _____	UNIT TAG: _____	QUANTITY: _____
REPRESENTATIVE: _____	TYPE OF SERVICE: _____	DATE: _____
ENGINEER: _____	SUBMITTED BY: _____	DATE: _____
CONTRACTOR: _____	APPROVED BY: _____	DATE: _____
	ORDER NO.: _____	DATE: _____

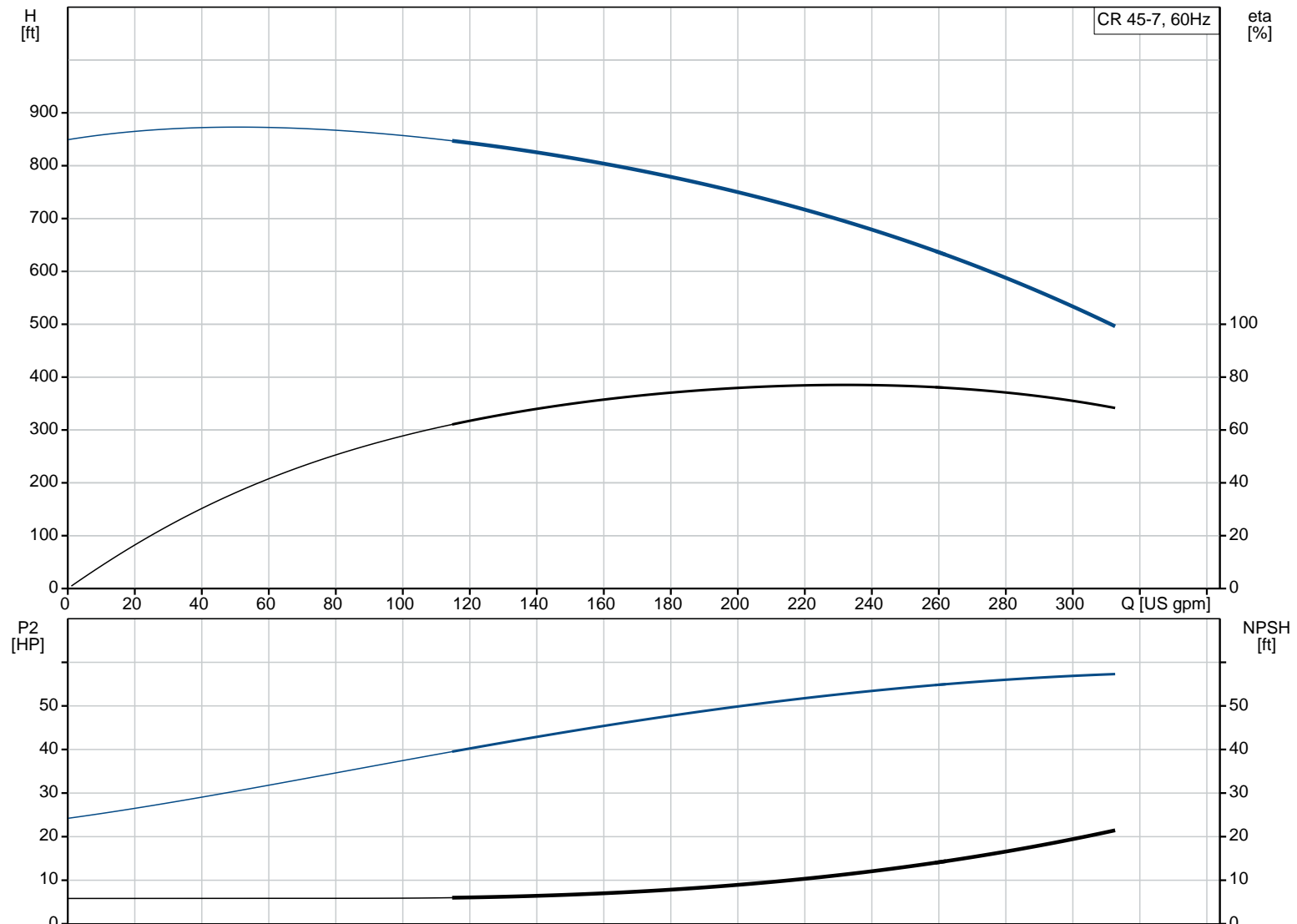


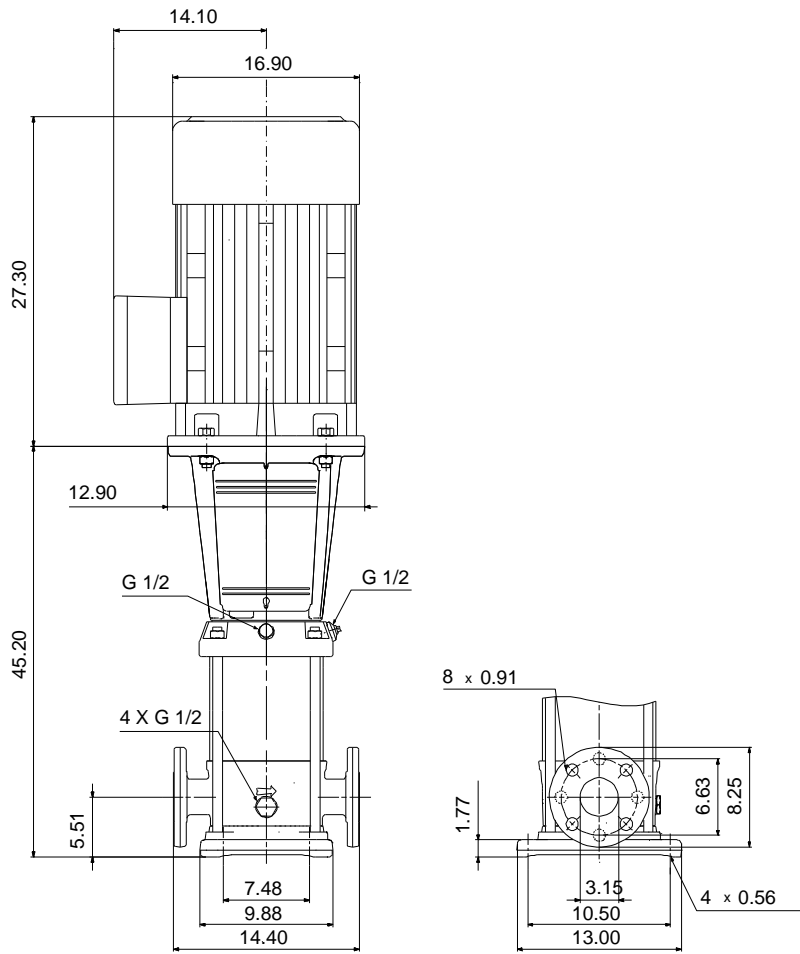
## CR 45-7A-G-A-E-HQQE

Vertical, multistage centrifugal pump with suction and discharge ports on the same level. The pump head and base are in cast iron. All other wetted parts are in stainless steel (EN 1.4301) (AISI 304)

Product photo could vary from the actual product

Conditions of Service	Pump Data	Motor Data
Flow: _____	Max pressure at stated temperature: 435 psi / 250 °F	Rated power - P2: 60 HP
Head: _____	Liquid temperature range: -22 .. 248 °F	Rated voltage: 230/460 V
Efficiency: _____	Maximum ambient temperature: 122 °F	Main frequency: 60 Hz
Liquid: Water	Approvals: CURUS,NSF61	Enclosure class: 54 Dust/Splashing
Temperature: 68 °F	Shaft seal: HQQE	Insulation class: F
NPSH required: ft	Product number: 91129148	Motor protection: NONE
Viscosity: _____		Motor type: Baldor
Specific Gravity: 1.000		






**Materials:**

Base: Cast iron  
 EN 1563 EN-GJS-500-7  
 ASTM A536 80-55-06

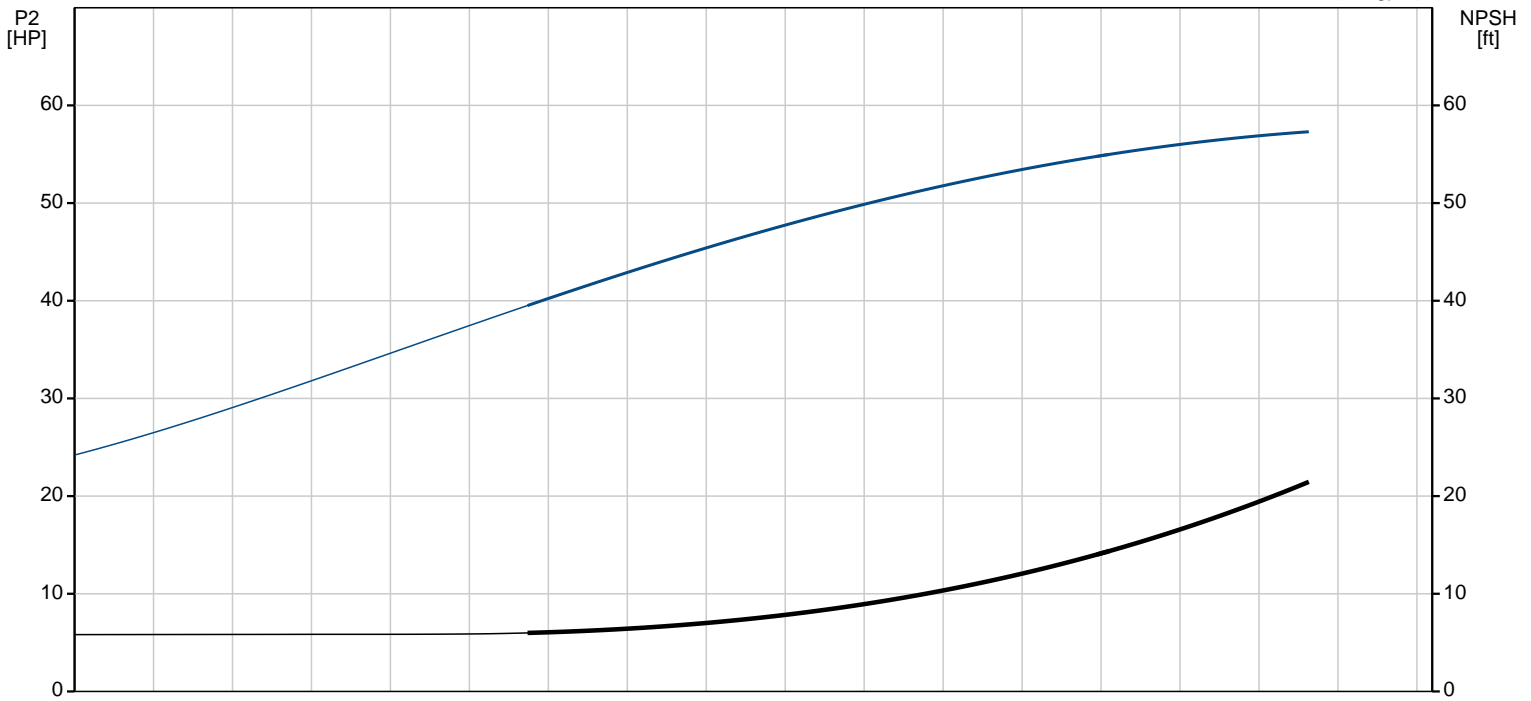
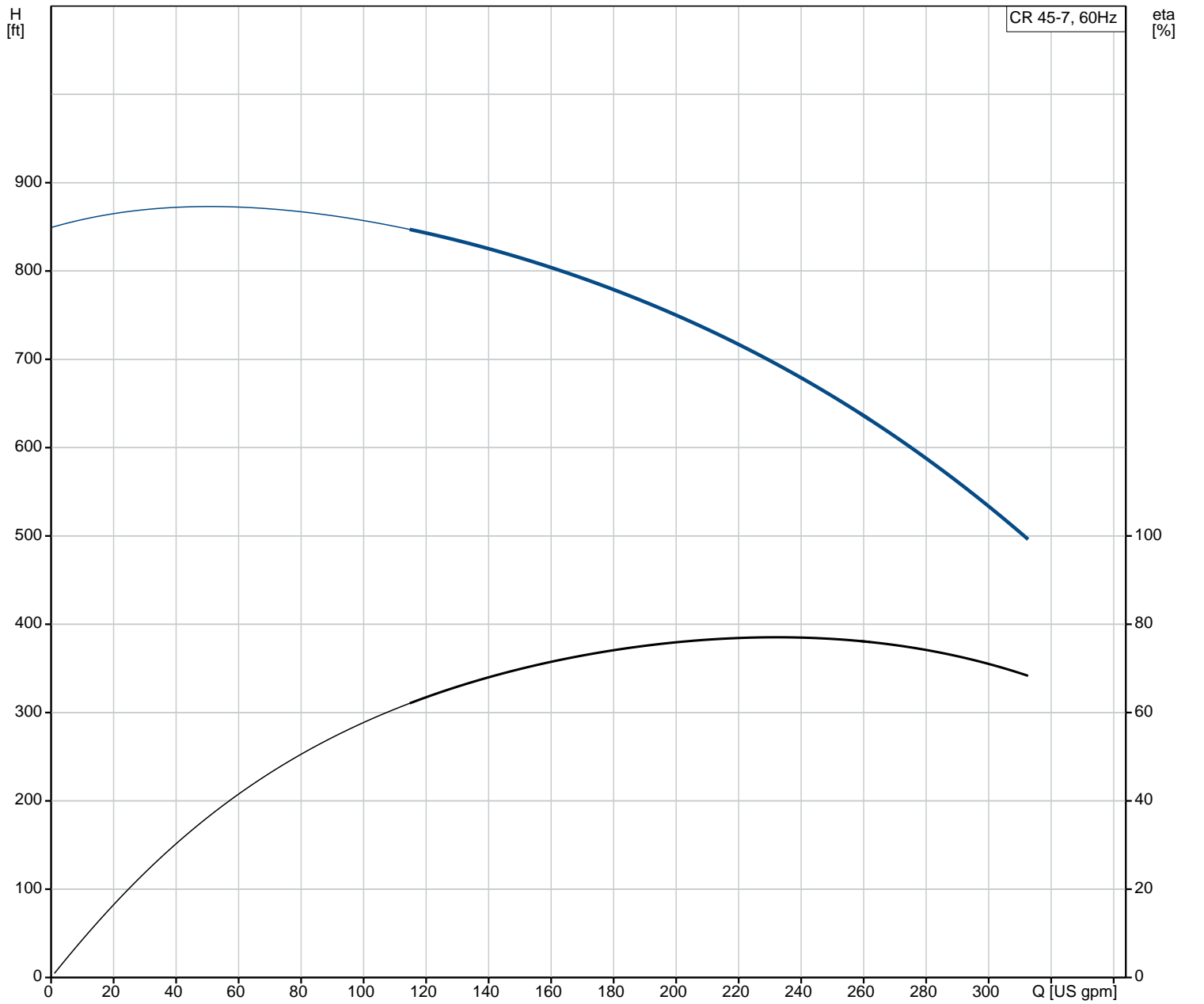
Impeller: Stainless steel  
 AISI 304  
 EN 1.4301

Material code: A  
 Code for rubber: E

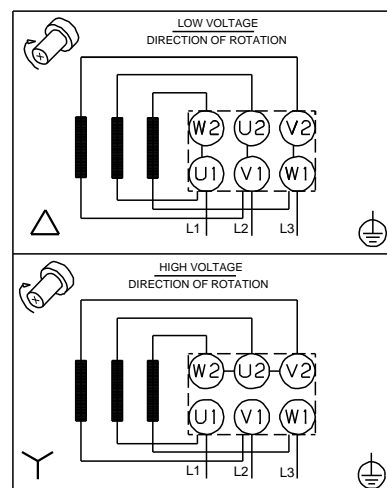
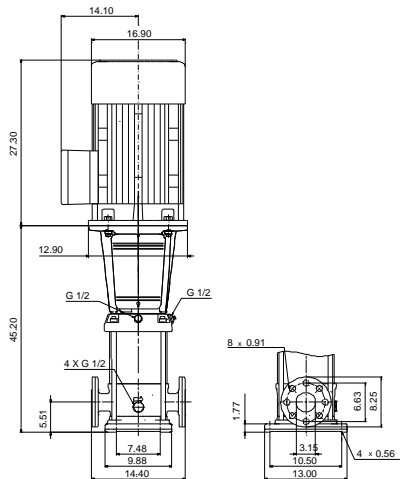
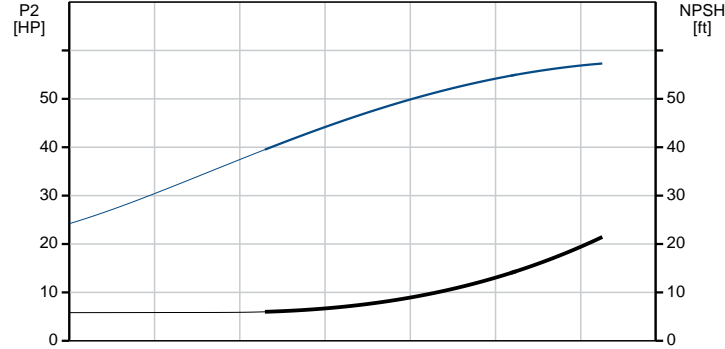
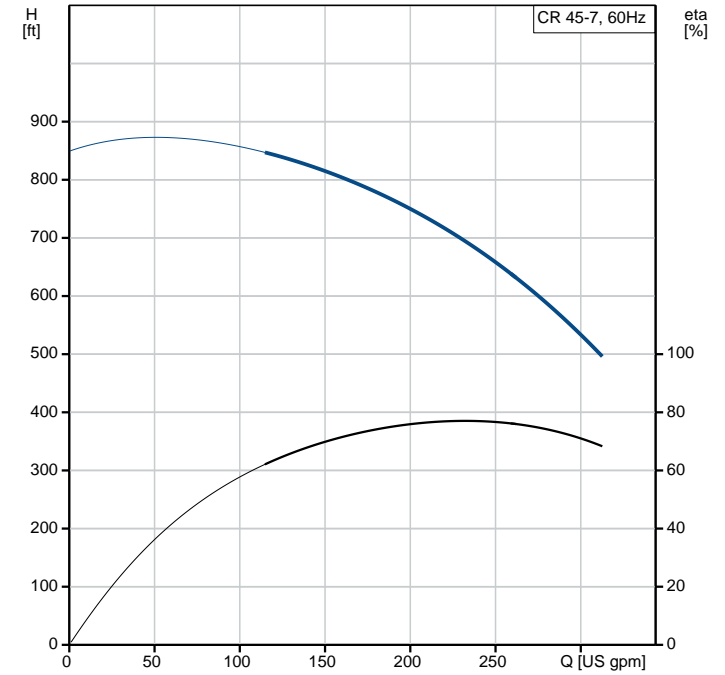
Count	Description
1	<p data-bbox="113 230 384 253"><b>CR 45-7A-G-A-E-HQQE</b></p>  <p data-bbox="113 551 376 573">Product No.: <a href="#">91129148</a></p> <p data-bbox="113 580 635 663">Vertical, non-self-priming, multistage, in-line, centrifugal pump for installation in pipe systems and mounting on a foundation.</p> <p data-bbox="113 696 738 875">The pump has the following characteristics:</p> <ul style="list-style-type: none"> <li>- Impellers and intermediate chambers are made of</li> <li>- The shaft seal has assembly length according to EN 12756.</li> <li>- Power transmission is via cast iron split coupling.</li> </ul> <p data-bbox="113 907 485 929">The motor is a 3-phase AC motor.</p> <p data-bbox="113 965 549 1021"><b>Controls:</b> Frequency converter: NONE</p> <p data-bbox="113 1055 616 1200"><b>Liquid:</b> Pumped liquid: Water Liquid temperature range: -22 .. 248 °F Selected liquid temperature: 68 °F Density: 62.29 lb/ft<sup>3</sup></p> <p data-bbox="113 1234 675 1496"><b>Technical:</b> Rated pump speed: 3550 rpm Rated flow: 238 US gpm Rated head: 686.7 ft Pump orientation: Vertical Shaft seal arrangement: Single Code for shaft seal: HQQE Approvals on nameplate: CURUS,NSF61 Curve tolerance: ISO9906:2012 3B</p> <p data-bbox="113 1529 743 1794"><b>Materials:</b> Base: Cast iron EN 1563 EN-GJS-500-7 ASTM A536 80-55-06 Impeller: Stainless steel EN 1.4301 AISI 304 Bearing: SIC Support bearing: Graflon</p> <p data-bbox="113 1827 715 2152"><b>Installation:</b> Maximum ambient temperature: 122 °F Maximum operating pressure: 435.11 psi Max pressure at stated temperature: 435 psi / 250 °F 435 psi / -22 °F Type of connection: ANSI Size of suction port: 3 inch Size of outlet port: 3 inch Pressure rating for pipe connection: PN 40 Flange rating inlet: 300 lb Flange size for motor: 364TC</p> <p data-bbox="113 2186 288 2208"><b>Electrical data:</b></p>

Count	Description																																												
	<table> <tr> <td>Motor standard:</td> <td>NEMA</td> </tr> <tr> <td>Motor type:</td> <td>Baldor</td> </tr> <tr> <td>IE Efficiency class:</td> <td>NEMA Premium / IE3 60Hz</td> </tr> <tr> <td>Rated power - P2:</td> <td>60 HP</td> </tr> <tr> <td>Power (P2) required by pump:</td> <td>60 HP</td> </tr> <tr> <td>Main frequency:</td> <td>60 Hz</td> </tr> <tr> <td>Rated voltage:</td> <td>3 x 230/460 V</td> </tr> <tr> <td>Service factor:</td> <td>1.15</td> </tr> <tr> <td>Rated current:</td> <td>132/66 A</td> </tr> <tr> <td>Cos phi - power factor:</td> <td>0.87</td> </tr> <tr> <td>Rated speed:</td> <td>3550 rpm</td> </tr> <tr> <td>IE efficiency:</td> <td>IE3 93,6%</td> </tr> <tr> <td>Number of poles:</td> <td>2</td> </tr> <tr> <td>Enclosure class (IEC 34-5):</td> <td>54 Dust/Splashing</td> </tr> <tr> <td>Insulation class (IEC 85):</td> <td>F</td> </tr> <tr> <td>Motor Number:</td> <td>84Z03818</td> </tr> <tr> <td colspan="2"><b>Others:</b></td> </tr> <tr> <td>Net weight:</td> <td>827 lb</td> </tr> <tr> <td>Gross weight:</td> <td>845 lb</td> </tr> <tr> <td>Shipping volume:</td> <td>39.9 ft<sup>3</sup></td> </tr> <tr> <td>Country of origin:</td> <td>US</td> </tr> <tr> <td>Custom tariff no.:</td> <td>8413.70.2040</td> </tr> </table>	Motor standard:	NEMA	Motor type:	Baldor	IE Efficiency class:	NEMA Premium / IE3 60Hz	Rated power - P2:	60 HP	Power (P2) required by pump:	60 HP	Main frequency:	60 Hz	Rated voltage:	3 x 230/460 V	Service factor:	1.15	Rated current:	132/66 A	Cos phi - power factor:	0.87	Rated speed:	3550 rpm	IE efficiency:	IE3 93,6%	Number of poles:	2	Enclosure class (IEC 34-5):	54 Dust/Splashing	Insulation class (IEC 85):	F	Motor Number:	84Z03818	<b>Others:</b>		Net weight:	827 lb	Gross weight:	845 lb	Shipping volume:	39.9 ft <sup>3</sup>	Country of origin:	US	Custom tariff no.:	8413.70.2040
Motor standard:	NEMA																																												
Motor type:	Baldor																																												
IE Efficiency class:	NEMA Premium / IE3 60Hz																																												
Rated power - P2:	60 HP																																												
Power (P2) required by pump:	60 HP																																												
Main frequency:	60 Hz																																												
Rated voltage:	3 x 230/460 V																																												
Service factor:	1.15																																												
Rated current:	132/66 A																																												
Cos phi - power factor:	0.87																																												
Rated speed:	3550 rpm																																												
IE efficiency:	IE3 93,6%																																												
Number of poles:	2																																												
Enclosure class (IEC 34-5):	54 Dust/Splashing																																												
Insulation class (IEC 85):	F																																												
Motor Number:	84Z03818																																												
<b>Others:</b>																																													
Net weight:	827 lb																																												
Gross weight:	845 lb																																												
Shipping volume:	39.9 ft <sup>3</sup>																																												
Country of origin:	US																																												
Custom tariff no.:	8413.70.2040																																												

## 91129148 CR 45-7A-G-A-E-HQQE 60 Hz



Description	Value
<b>General information:</b>	
Product name:	CR 45-7A-G-A-E-HQQE
Product No.:	91129148
EAN:	5700830419304
<b>Technical:</b>	
Rated pump speed:	3550 rpm
Rated flow:	238 US gpm
Rated head:	686.7 ft
Head max:	846.2 ft
Stages:	7
Impellers:	7
Number of reduced-diameter impellers:	0
Low NPSH:	N
Pump orientation:	Vertical
Shaft seal arrangement:	Single
Code for shaft seal:	HQQE
Approvals on nameplate:	CURUS, NSF61
Curve tolerance:	ISO9906:2012 3B
Pump version:	A
Model:	B
Cooling:	TEFC
<b>Materials:</b>	
Base:	Cast iron
	EN 1563 EN-GJS-500-7
	ASTM A536 80-55-06
Impeller:	Stainless steel
	EN 1.4301
	AISI 304
Material code:	A
Code for rubber:	E
Bearing:	SIC
Support bearing:	Graflon
<b>Installation:</b>	
Maximum ambient temperature:	122 °F
Maximum operating pressure:	435.11 psi
Max pressure at stated temperature:	435 psi / 250 °F
	435 psi / -22 °F
Type of connection:	ANSI
Size of suction port:	3 inch
Size of outlet port:	3 inch
Pressure rating for pipe connection:	PN 40
Flange rating inlet:	300 lb
Flange size for motor:	364TC
Connect code:	G
<b>Liquid:</b>	
Pumped liquid:	Water
Liquid temperature range:	-22 .. 248 °F
Selected liquid temperature:	68 °F
Density:	62.29 lb/ft <sup>3</sup>
<b>Electrical data:</b>	
Motor standard:	NEMA
Motor type:	Baldor
IE Efficiency class:	NEMA Premium / IE3 60Hz
Rated power - P2:	60 HP
Power (P2) required by pump:	60 HP
Main frequency:	60 Hz
Rated voltage:	3 x 230/460 V
Service factor:	1.15
Rated current:	132/66 A
Load current:	150/75 A
Cos phi - power factor:	0.87
Rated speed:	3550 rpm
IE efficiency:	IE3 93,6%
Number of poles:	2
Enclosure class (IEC 34-5):	54 Dust/Splashing
Insulation class (IEC 85):	F





Company name:

Created by:

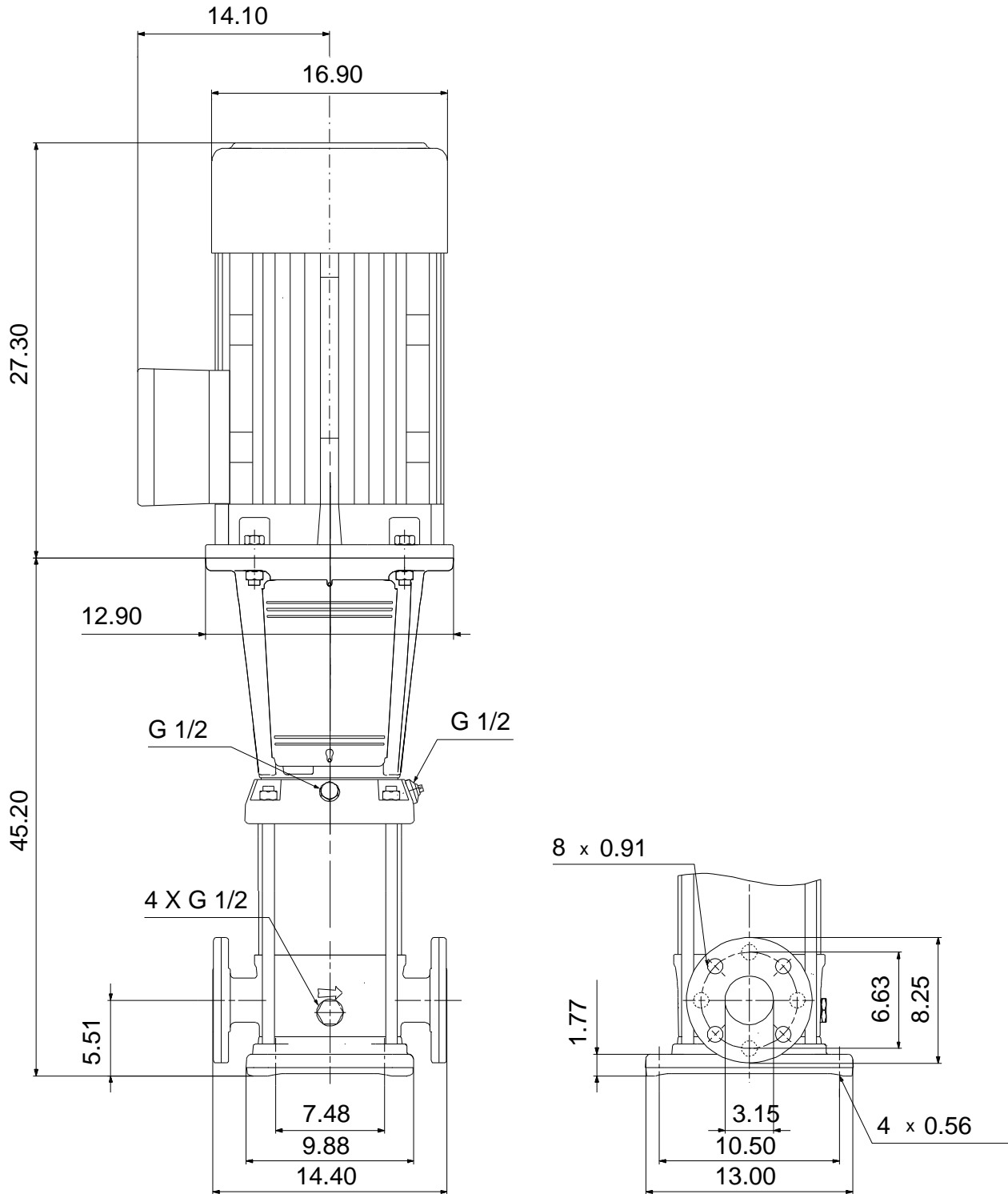
Phone:

Date:

5/13/2019

Description	Value
Motor protection:	NONE
Motor Number:	84Z03818
<b>Controls:</b>	
Frequency converter:	NONE
<b>Others:</b>	
Net weight:	827 lb
Gross weight:	845 lb
Shipping volume:	39.9 ft <sup>3</sup>
Sales region:	Namreg
Country of origin:	US
Custom tariff no.:	8413.70.2040

## 91129148 CR 45-7A-G-A-E-HQQE 60 Hz





## 91129148 CR 45-7A-G-A-E-HQQE 60 Hz

