

PROJECT: _____	UNIT TAG: _____	QUANTITY: _____
REPRESENTATIVE: _____	TYPE OF SERVICE: _____	DATE: _____
ENGINEER: _____	SUBMITTED BY: _____	DATE: _____
CONTRACTOR: _____	APPROVED BY: _____	DATE: _____
	ORDER NO.: _____	DATE: _____

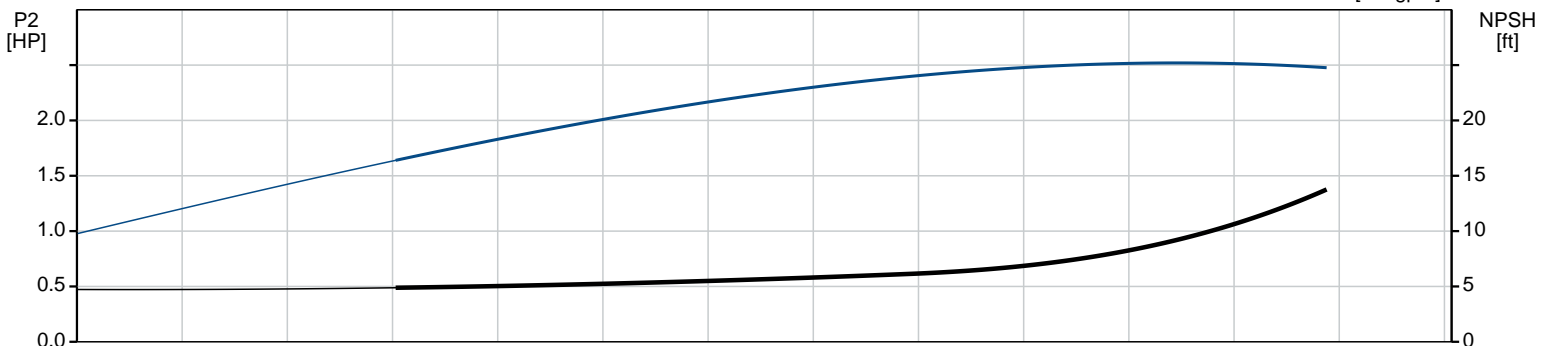
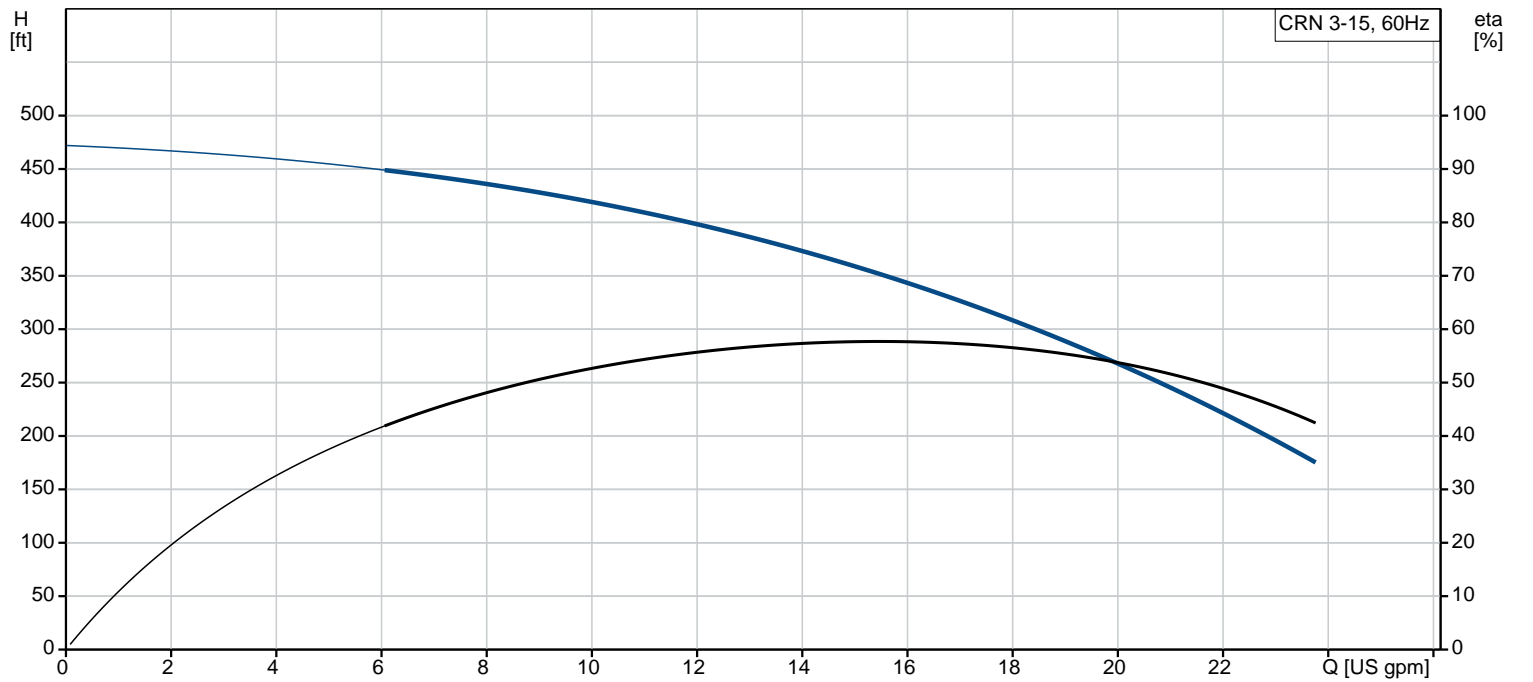
## CRN 3-15 A-FGJ-A-E-HQQE

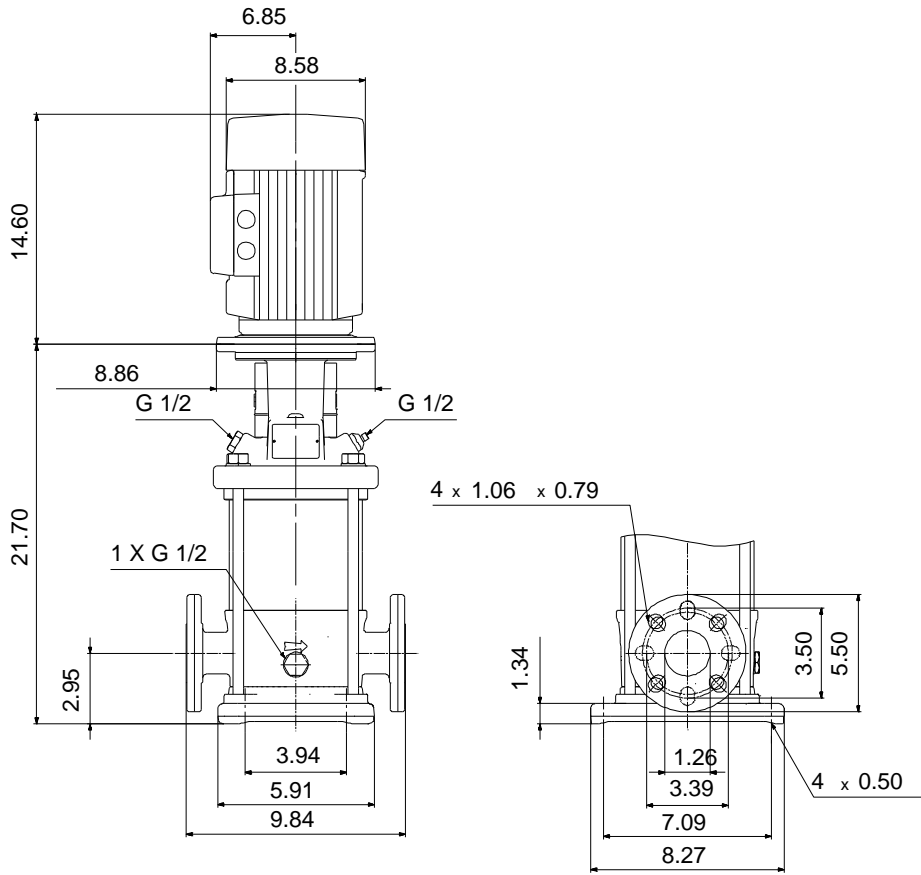
Vertical, multistage centrifugal pump with suction and discharge ports on same the level. Pump materials in contact with the liquid are in high-grade stainless steel (EN 1.4401) (AISI 316)



Product photo could vary from the actual product


Conditions of Service	Pump Data	Motor Data
Flow: _____	Max pressure at stated temperature: 363 psi / 250 °F	Rated power - P2: 3 HP
Head: _____	Liquid temperature range: -4 .. 248 °F	Rated voltage: 115/208-230 V
Efficiency: _____	Maximum ambient temperature: 104 °F	Main frequency: 60 Hz
Liquid: Water	Approvals: CURUS, NSF61	Insulation class: F
Temperature: 68 °F	Shaft seal: HQQE	Motor protection: NONE
NPSH required: ft	Product number: 96083943	Motor type: Baldor
Viscosity: _____		
Specific Gravity: 1.000		





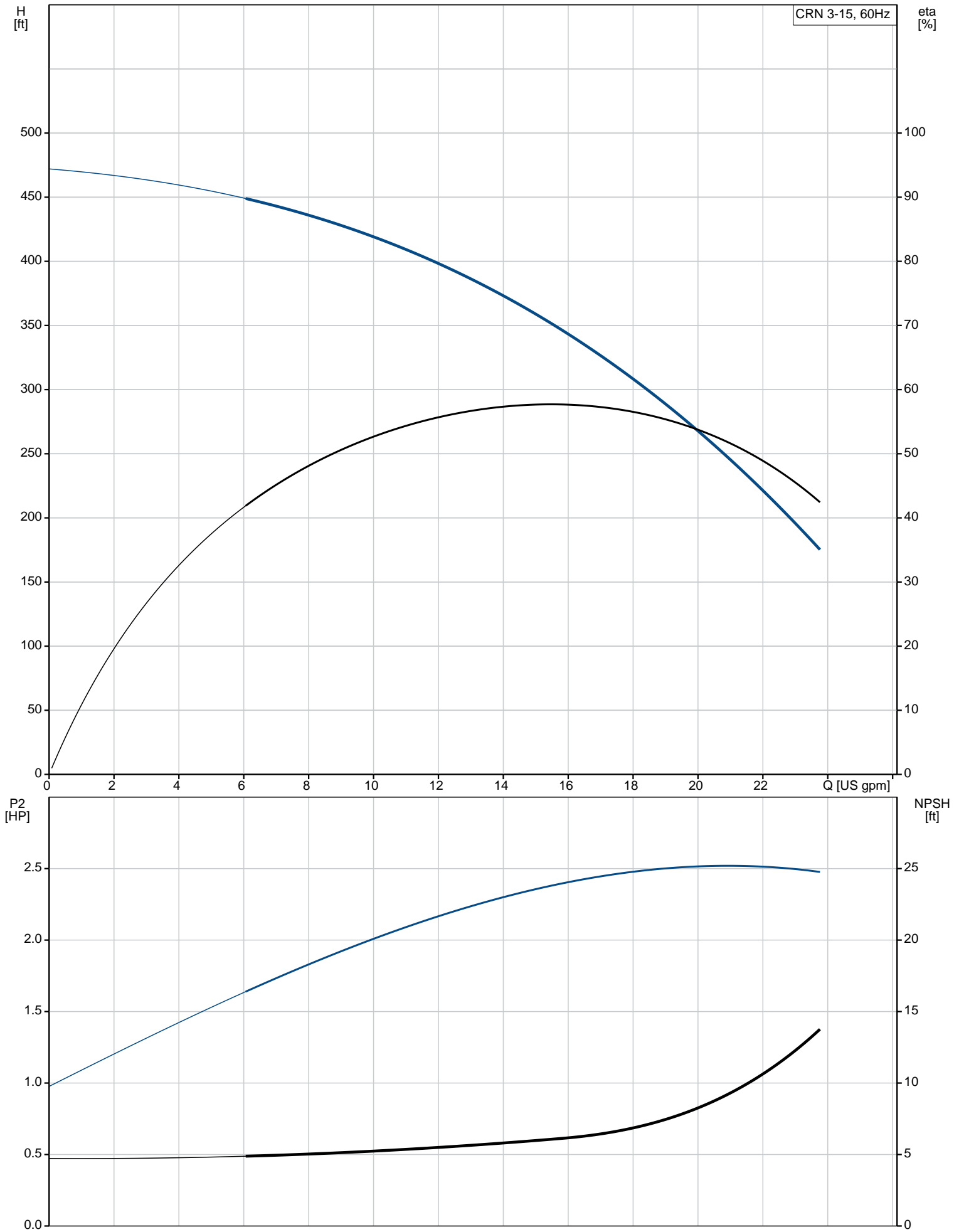
**Materials:**

- Base: Stainless steel  
EN 1.4408  
AISI 316
- Impeller: Stainless steel  
AISI 316  
EN 1.4401
- Material code: A
- Code for rubber: E

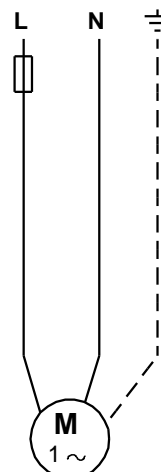
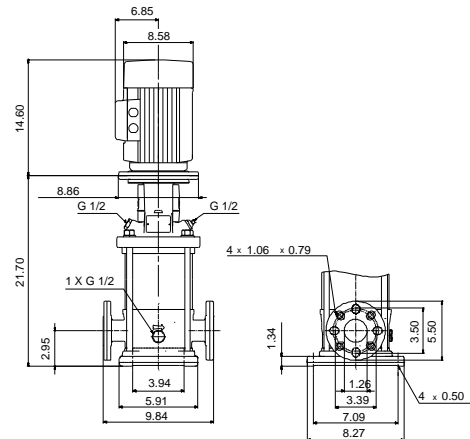
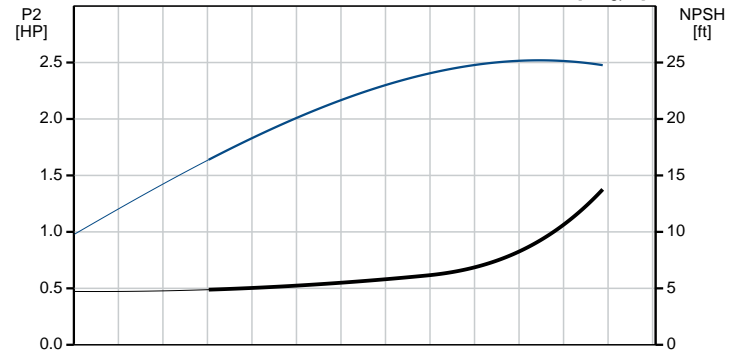
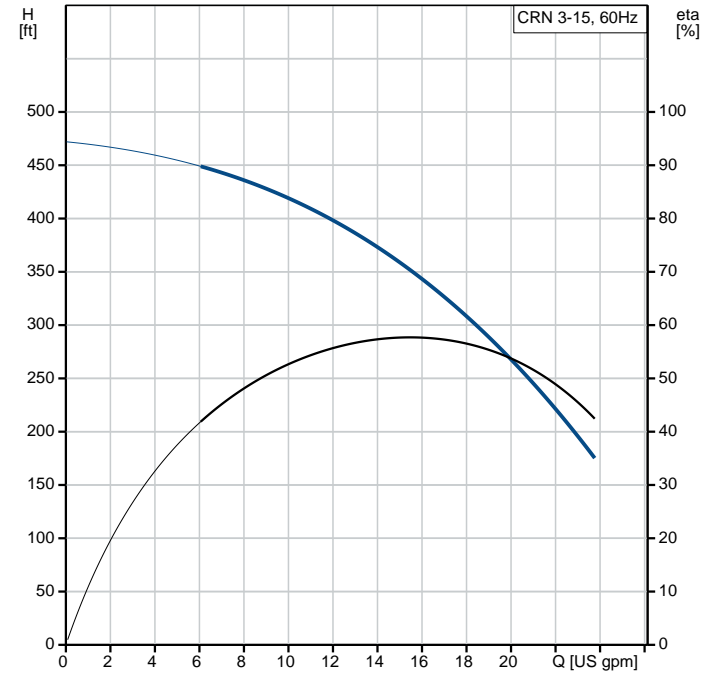
Count	Description
1	<p data-bbox="113 230 437 253"><b>CRN 3-15 A-FGJ-A-E-HQQE</b></p> <div data-bbox="263 264 343 510" style="text-align: center;">  </div> <p data-bbox="113 551 376 573">Product No.: <a href="#">96083943</a></p> <p data-bbox="113 580 635 663">Vertical, non-self-priming, multistage, in-line, centrifugal pump for installation in pipe systems and mounting on a foundation.</p> <p data-bbox="113 696 668 958">The pump has the following characteristics:</p> <ul style="list-style-type: none"> <li>- Impellers, intermediate chambers and outer sleeve are made of</li> <li>- Pump head cover and base are made of</li> <li>- The shaft seal has assembly length according to EN 12756.</li> <li>- Power transmission is via cast iron split coupling flanges/couplings.</li> </ul> <p data-bbox="113 994 485 1016">The motor is a 1-phase AC motor.</p> <p data-bbox="113 1052 225 1075"><b>Controls:</b></p> <p data-bbox="113 1081 547 1104">Frequency converter: NONE</p> <p data-bbox="113 1140 196 1162"><b>Liquid:</b></p> <p data-bbox="113 1169 600 1285">Pumped liquid: Water Liquid temperature range: -4 .. 248 °F Selected liquid temperature: 68 °F Density: 62.29 lb/ft<sup>3</sup></p> <p data-bbox="113 1321 236 1344"><b>Technical:</b></p> <p data-bbox="113 1350 675 1583">Rated pump speed: 3457 rpm Rated flow: 15.4 US gpm Rated head: 352.7 ft Pump orientation: Vertical Shaft seal arrangement: Single Code for shaft seal: HQQE Approvals on nameplate: CURUS,NSF61 Curve tolerance: ISO9906:2012 3B</p> <p data-bbox="113 1619 229 1641"><b>Materials:</b></p> <p data-bbox="113 1648 638 1850">Base: Stainless steel EN 1.4408 AISI 316 Impeller: Stainless steel EN 1.4401 AISI 316 Bearing: SIC</p> <p data-bbox="113 1886 252 1908"><b>Installation:</b></p> <p data-bbox="113 1915 715 2210">Maximum ambient temperature: 104 °F Maximum operating pressure: 362.59 psi Max pressure at stated temperature: 363 psi / 250 °F 363 psi / -4 °F Type of connection: DIN / ANSI / JIS Size of inlet connection: DN 25/32 Size of suction port: 1 1/4 inch Size of outlet connection: DN 25/32 Size of outlet port: 1 1/4 inch Pressure rating for pipe connection: PN 25</p>

Count	Description
	Flange rating inlet: 300 lb Flange size for motor: 182TC  <b>Electrical data:</b> Motor standard: NEMA Motor type: Baldor Rated power - P2: 3 HP Power (P2) required by pump: 3 HP Main frequency: 60 Hz Rated voltage: 1 x 115/208-230 V Service factor: 1.15 Rated current: 29/16-14,5 A Rated speed: 3450 rpm Number of poles: 2 Insulation class (IEC 85): F Motor Number: 84Z04014  <b>Others:</b> Net weight: 120 lb Gross weight: 135 lb Shipping volume: 8.26 ft <sup>3</sup> Country of origin: US Custom tariff no.: 8413.70.2040

## 96083943 CRN 3-15 A-FGJ-A-E-HQQE 60 Hz



Description	Value
<b>General information:</b>	
Product name:	CRN 3-15 A-FGJ-A-E-HQQE
Product No.:	96083943
EAN:	5700395180619
<b>Technical:</b>	
Rated pump speed:	3457 rpm
Rated flow:	15.4 US gpm
Rated head:	352.7 ft
Head max:	472.1 ft
Stages:	15
Impellers:	15
Number of reduced-diameter impellers:	0
Low NPSH:	N
Pump orientation:	Vertical
Shaft seal arrangement:	Single
Code for shaft seal:	HQQE
Approvals on nameplate:	CURUS,NSF61
Curve tolerance:	ISO9906:2012 3B
Pump version:	A
Model:	A
Cooling:	TEFC
<b>Materials:</b>	
Base:	Stainless steel EN 1.4408 AISI 316
Impeller:	Stainless steel EN 1.4401 AISI 316
Material code:	A
Code for rubber:	E
Bearing:	SIC
<b>Installation:</b>	
Maximum ambient temperature:	104 °F
Maximum operating pressure:	362.59 psi
Max pressure at stated temperature:	363 psi / 250 °F 363 psi / -4 °F
Type of connection:	DIN / ANSI / JIS
Size of inlet connection:	DN 25/32
Size of suction port:	1 1/4 inch
Size of outlet connection:	DN 25/32
Size of outlet port:	1 1/4 inch
Pressure rating for pipe connection:	PN 25
Flange rating inlet:	300 lb
Flange size for motor:	182TC
Connect code:	FGJ
<b>Liquid:</b>	
Pumped liquid:	Water
Liquid temperature range:	-4 .. 248 °F
Selected liquid temperature:	68 °F
Density:	62.29 lb/ft <sup>3</sup>
<b>Electrical data:</b>	
Motor standard:	NEMA
Motor type:	Baldor
Rated power - P2:	3 HP
Power (P2) required by pump:	3 HP
Main frequency:	60 Hz
Rated voltage:	1 x 115/208-230 V
Service factor:	1.15
Rated current:	29/16-14,5 A
Load current:	31,8/18-16,9 A
Rated speed:	3450 rpm
Number of poles:	2
Insulation class (IEC 85):	F
Motor protection:	NONE
Motor Number:	84Z04014
<b>Controls:</b>	





Company name:

Created by:

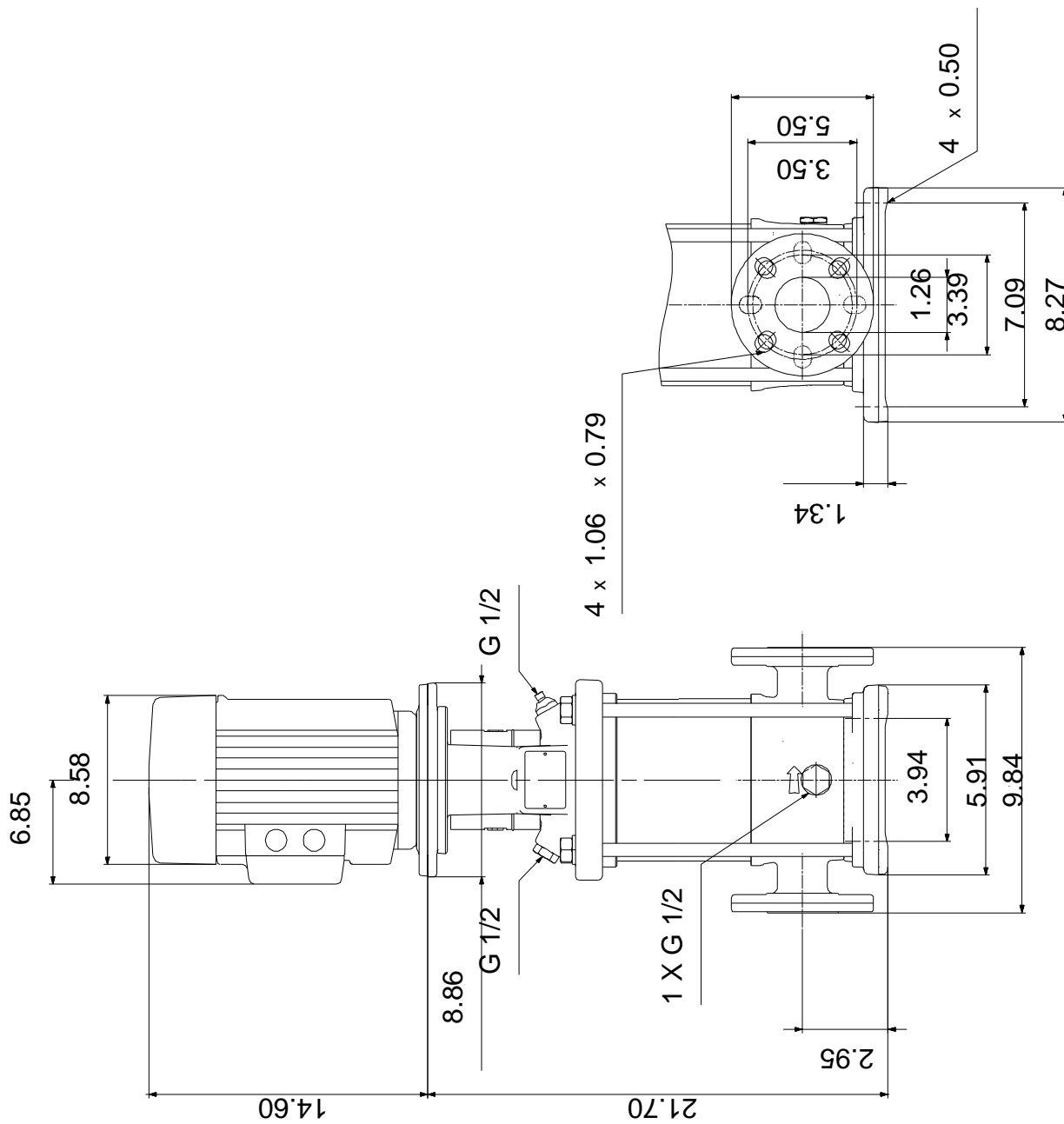
Phone:

Date:

5/30/2019

Description	Value
Frequency converter:	NONE
<b>Others:</b>	
Net weight:	120 lb
Gross weight:	135 lb
Shipping volume:	8.26 ft <sup>3</sup>
Country of origin:	US
Custom tariff no.:	8413.70.2040

## 96083943 CRN 3-15 A-FGJ-A-E-HQQE 60 Hz





96083943 CRN 3-15 A-FGJ-A-E-HQQE 60 Hz

