

PROJECT: _____	UNIT TAG: _____	QUANTITY: _____
REPRESENTATIVE: _____	TYPE OF SERVICE: _____	DATE: _____
ENGINEER: _____	SUBMITTED BY: _____	DATE: _____
CONTRACTOR: _____	APPROVED BY: _____	DATE: _____
	ORDER NO.: _____	DATE: _____

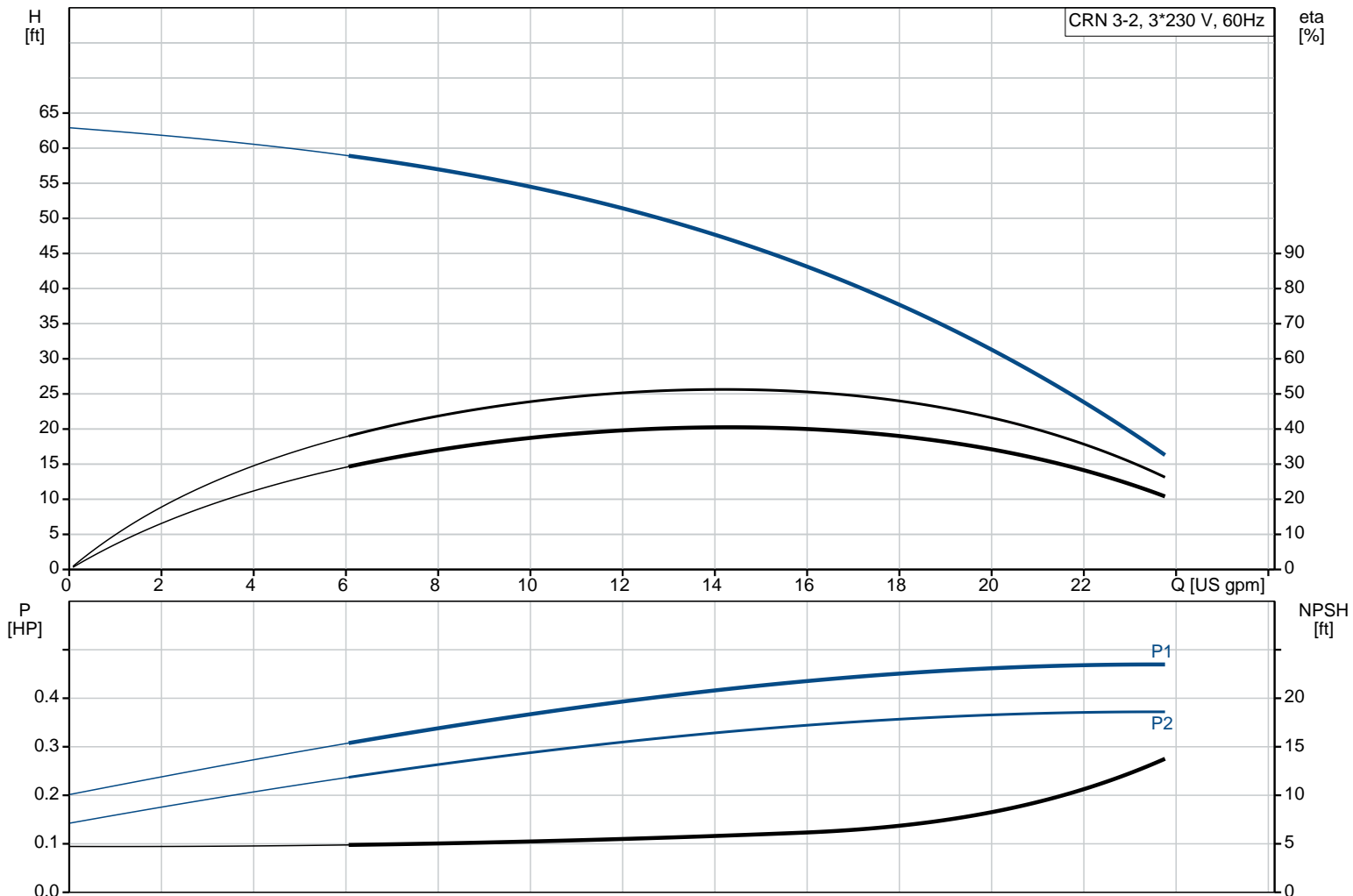


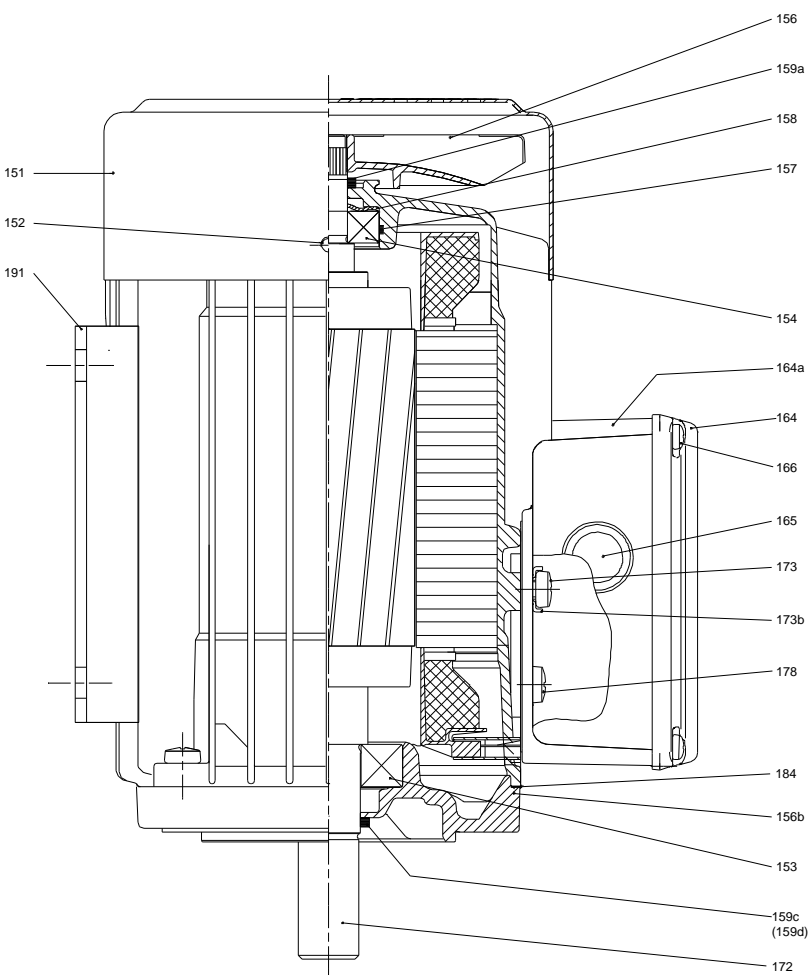
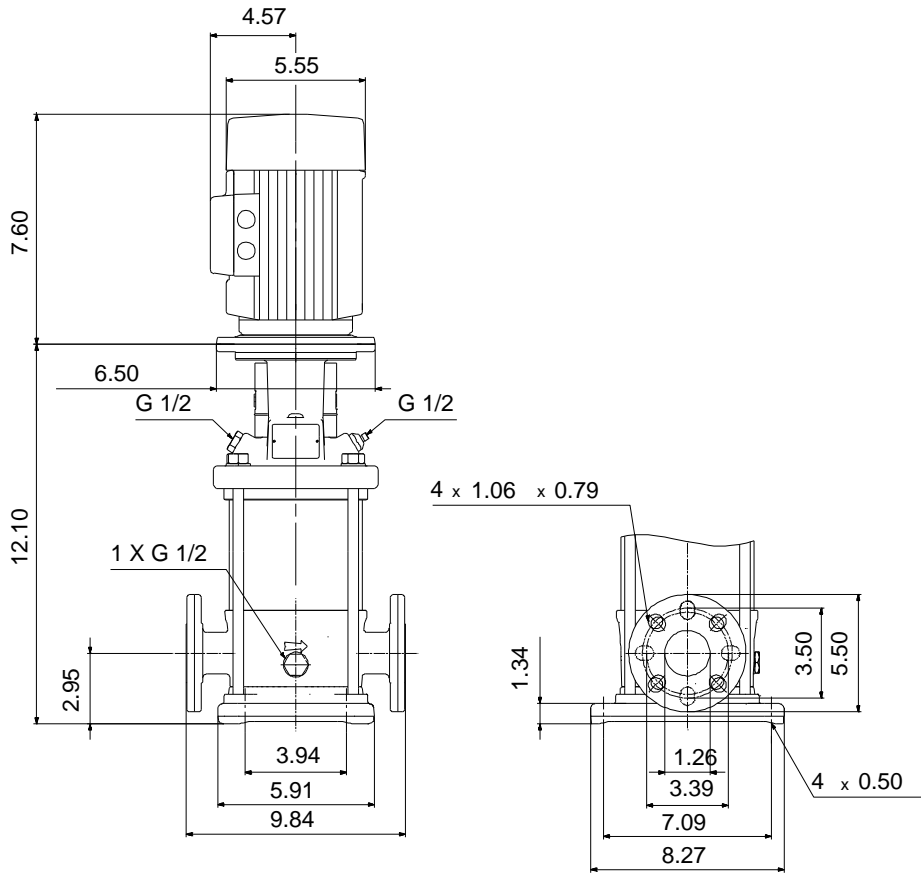
CRN 3-2A-FGJ-A-V-HQQV

Vertical, multistage centrifugal pump with suction and discharge ports on same the level. Pump materials in contact with the liquid are in high-grade stainless steel (EN 1.4401) (AISI 316)

Product photo could vary from the actual product

Conditions of Service	Pump Data	Motor Data
Flow: _____	Max pressure at stated temperature: 363 psi / 194 °F	Rated power - P2: 0.33 HP
Head: _____	Liquid temperature range: -4 .. 194 °F	Rated voltage: 208-230YY/460Y V
Efficiency: _____	Maximum ambient temperature: 104 °F	Main frequency: 60 Hz
Liquid: Water	Approvals: CURUS	Enclosure class: 55 Dust/Jetting
Temperature: 68 °F	Shaft seal: HQQV	Insulation class: F
NPSH required: ft	Product number: 96084010	Motor protection: NONE
Viscosity: _____		Motor type: 71AA
Specific Gravity: 1.000		Motor_efficiency: 78.5 %






Materials:

Base: Stainless steel
EN 1.4408
AISI 316

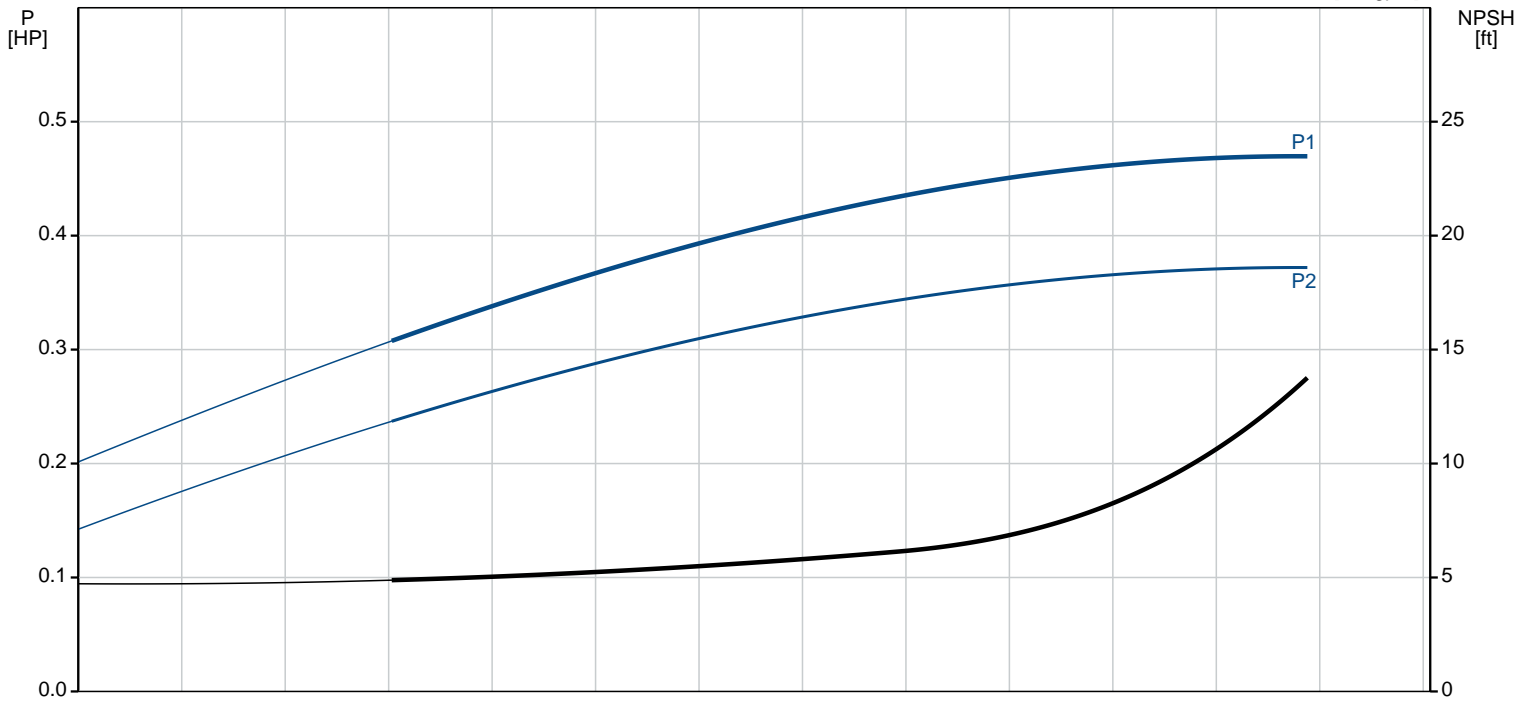
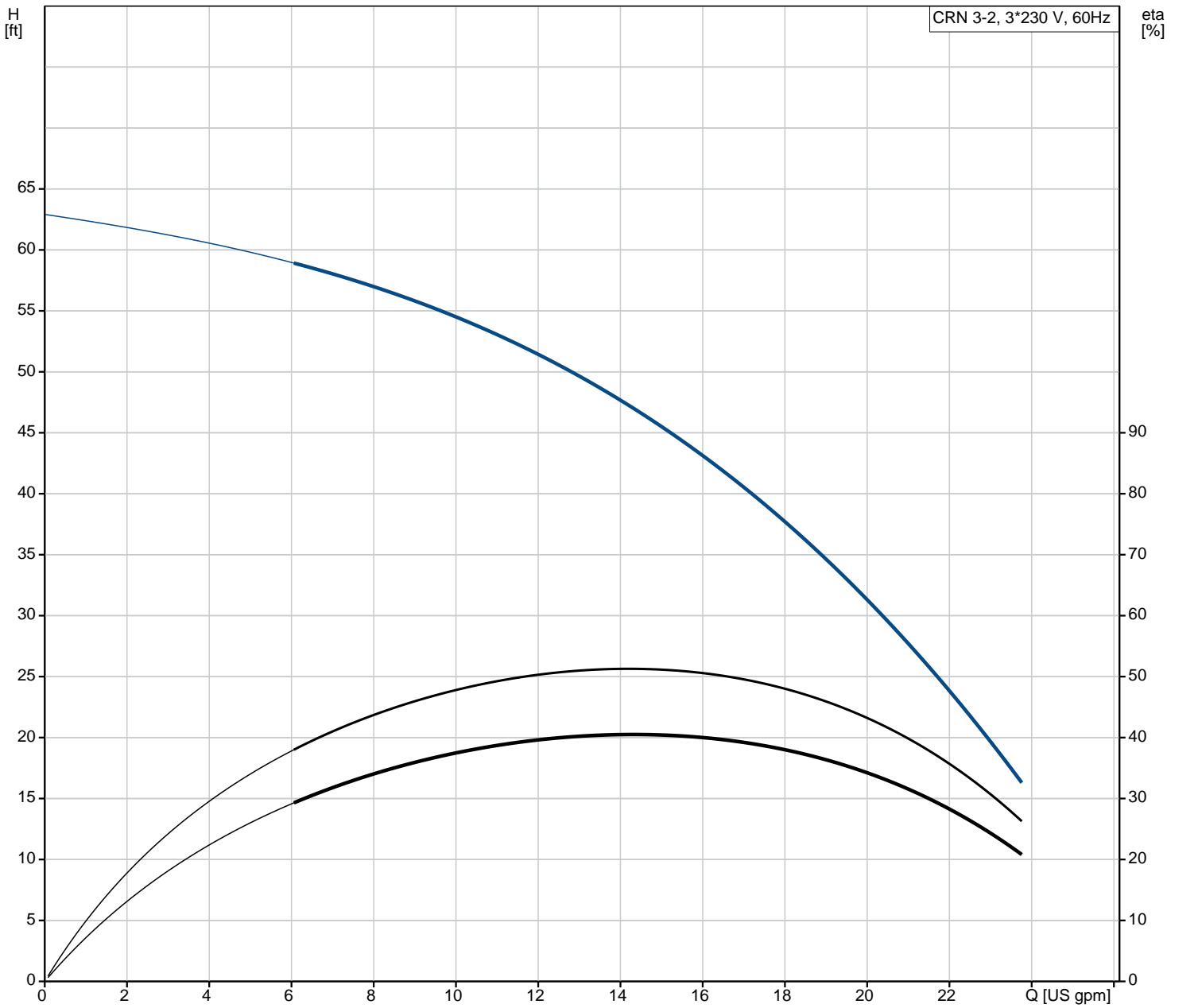
Impeller: Stainless steel
AISI 316
EN 1.4401

Material code: A
Code for rubber: V

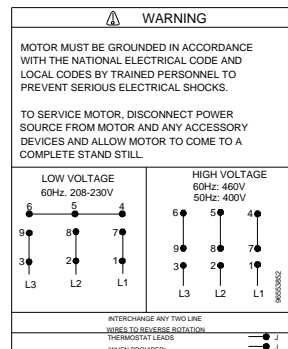
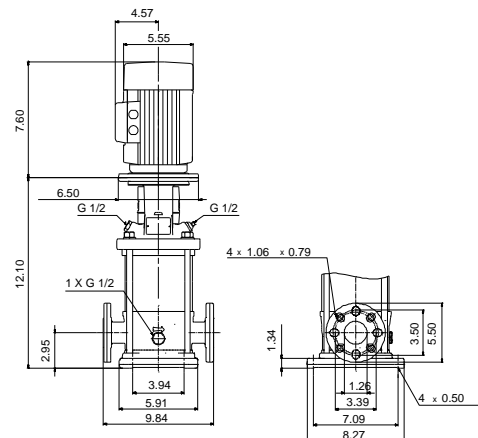
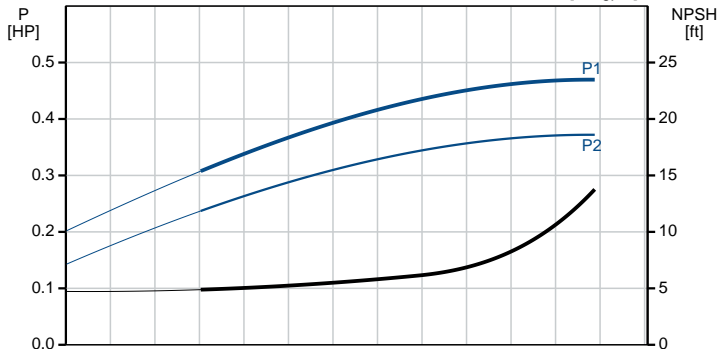
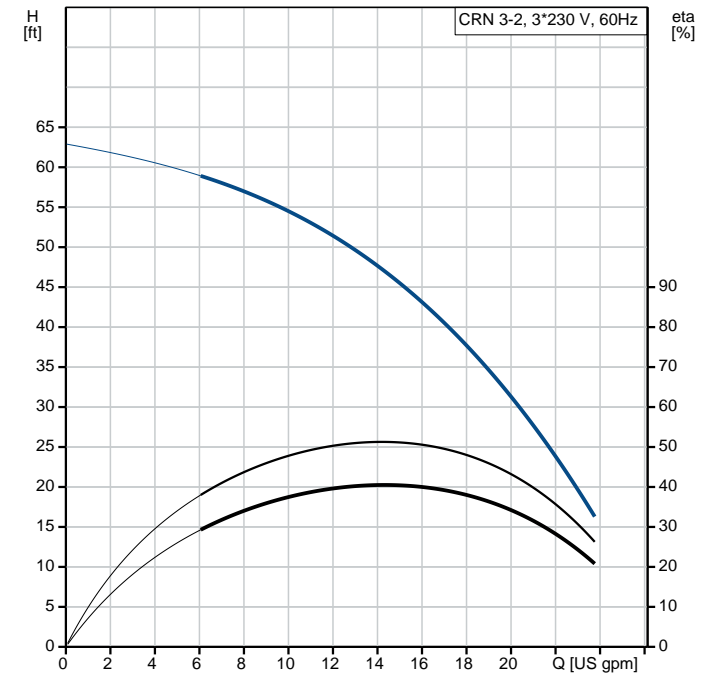
Count	Description
1	<p data-bbox="113 230 416 253">CRN 3-2A-FGJ-A-V-HQQV</p> <div data-bbox="244 277 355 517" style="text-align: center;">  </div> <p data-bbox="113 551 376 573">Product No.: 96084010</p> <p data-bbox="113 580 635 663">Vertical, non-self-priming, multistage, in-line, centrifugal pump for installation in pipe systems and mounting on a foundation.</p> <p data-bbox="113 696 588 723">The pump has the following characteristics:</p> <ul style="list-style-type: none"> <li data-bbox="153 728 668 781">- Impellers, intermediate chambers and outer sleeve are made of <li data-bbox="153 786 632 813">- Pump head cover and base are made of <li data-bbox="153 817 576 844">- The shaft seal has assembly length according to EN 12756. <li data-bbox="153 878 624 960">- Power transmission is via cast iron split coupling flanges/couplings. <p data-bbox="113 994 485 1021">The motor is a 3-phase AC motor.</p> <p data-bbox="113 1055 225 1081">Controls:</p> <p data-bbox="113 1086 547 1113">Frequency converter: NONE</p> <p data-bbox="113 1146 196 1173">Liquid:</p> <p data-bbox="113 1178 600 1290">Pumped liquid: Water Liquid temperature range: -4 .. 194 °F Selected liquid temperature: 68 °F Density: 62.29 lb/ft³</p> <p data-bbox="113 1323 236 1350">Technical:</p> <p data-bbox="113 1355 675 1588">Rated pump speed: 3425 rpm Rated flow: 15.4 US gpm Rated head: 44.62 ft Pump orientation: Vertical Shaft seal arrangement: Single Code for shaft seal: HQQV Approvals on nameplate: CURUS Curve tolerance: ISO9906:2012 3B</p> <p data-bbox="113 1621 228 1648">Materials:</p> <p data-bbox="113 1653 638 1854">Base: Stainless steel EN 1.4408 AISI 316 Impeller: Stainless steel EN 1.4401 AISI 316 Bearing: SIC</p> <p data-bbox="113 1888 252 1915">Installation:</p> <p data-bbox="113 1919 715 2031">Maximum ambient temperature: 104 °F Maximum operating pressure: 362.59 psi Max pressure at stated temperature: 363 psi / 194 °F 363 psi / -4 °F</p> <p data-bbox="113 2042 655 2210">Type of connection: DIN / ANSI / JIS Size of inlet connection: DN 25/32 Size of suction port: 1 1/4 inch Size of outlet connection: DN 25/32 Size of outlet port: 1 1/4 inch Pressure rating for pipe connection: PN 25</p>

Count	Description
	Flange rating inlet: 300 lb Flange size for motor: 56C Electrical data: Motor standard: NEMA Motor type: 71AA Rated power - P2: 0.33 HP Power (P2) required by pump: 0.33 HP Main frequency: 60 Hz Rated voltage: 3 x 208-230YY/460Y V Service factor: 1.35 Rated current: 1,12-1,10/0,55 A Starting current: 630-700 % Cos phi - power factor: 0.81-0.75 Rated speed: 3450-3480 rpm Motor efficiency at full load: 78.5 % Number of poles: 2 Enclosure class (IEC 34-5): 55 Dust/Jetting Insulation class (IEC 85): F Motor Number: 85900700 Others: Net weight: 50.5 lb Gross weight: 61.5 lb Shipping volume: 4.94 ft ³ Country of origin: US Custom tariff no.: 8413.70.2040

96084010 CRN 3-2A-FGJ-A-V-HQQV 60 Hz



Description	Value
General information:	
Product name:	CRN 3-2A-FGJ-A-V-HQQV
Product No.:	96084010
EAN:	5700395181388
Technical:	
Rated pump speed:	3425 rpm
Rated flow:	15.4 US gpm
Rated head:	44.62 ft
Head max:	63 ft
Stages:	3
Impellers:	2
Number of reduced-diameter impellers:	0
Low NPSH:	N
Pump orientation:	Vertical
Shaft seal arrangement:	Single
Code for shaft seal:	HQQV
Approvals on nameplate:	CURUS
Curve tolerance:	ISO9906:2012 3B
Pump version:	A
Model:	A
Cooling:	TEFC
Materials:	
Base:	Stainless steel EN 1.4408 AISI 316
Impeller:	Stainless steel EN 1.4401 AISI 316
Material code:	A
Code for rubber:	V
Bearing:	SIC
Installation:	
Maximum ambient temperature:	104 °F
Maximum operating pressure:	362.59 psi
Max pressure at stated temperature:	363 psi / 194 °F 363 psi / -4 °F
Type of connection:	DIN / ANSI / JIS
Size of inlet connection:	DN 25/32
Size of suction port:	1 1/4 inch
Size of outlet connection:	DN 25/32
Size of outlet port:	1 1/4 inch
Pressure rating for pipe connection:	PN 25
Flange rating inlet:	300 lb
Flange size for motor:	56C
Connect code:	FGJ
Liquid:	
Pumped liquid:	Water
Liquid temperature range:	-4 .. 194 °F
Selected liquid temperature:	68 °F
Density:	62.29 lb/ft ³
Electrical data:	
Motor standard:	NEMA
Motor type:	71AA
Rated power - P2:	0.33 HP
Power (P2) required by pump:	0.33 HP
Main frequency:	60 Hz
Rated voltage:	3 x 208-230YY/460Y V
Service factor:	1.35
Rated current:	1,12-1,10/0,55 A
Starting current:	630-700 %
Load current:	1,5-1,45/0,75 A
Cos phi - power factor:	0.81-0.75
Rated speed:	3450-3480 rpm
Motor efficiency at full load:	78.5 %
Number of poles:	2
Enclosure class (IEC 34-5):	55 Dust/Jetting





Company name:

Created by:

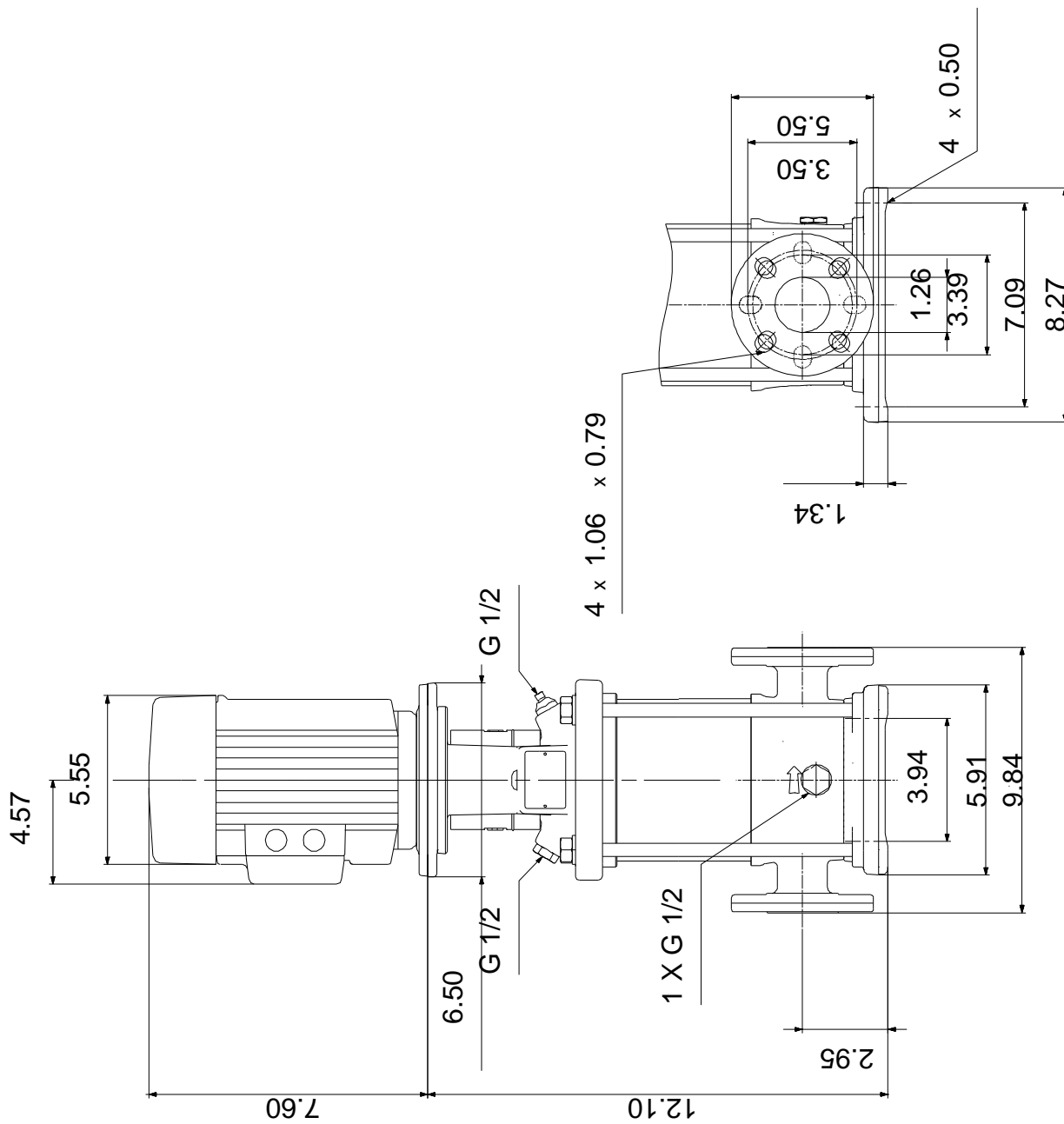
Phone:

Date:

5/14/2019

Description	Value
Insulation class (IEC 85):	F
Motor protection:	NONE
Motor Number:	85900700
Controls:	
Frequency converter:	NONE
Others:	
Net weight:	50.5 lb
Gross weight:	61.5 lb
Shipping volume:	4.94 ft ³
Country of origin:	US
Custom tariff no.:	8413.70.2040

96084010 CRN 3-2A-FGJ-A-V-HQQV 60 Hz



96084010 CRN 3-2A-FGJ-A-V-HQQV 60 Hz

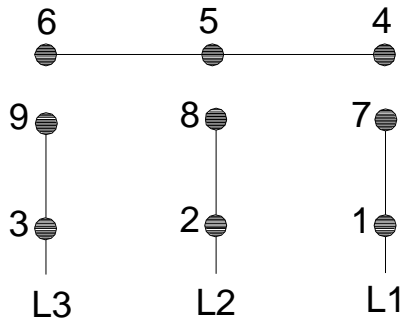


WARNING

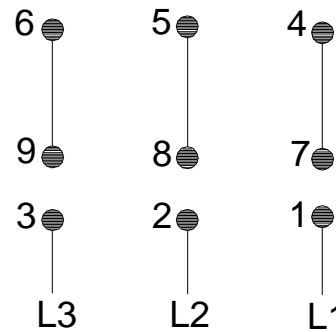
MOTOR MUST BE GROUNDED IN ACCORDANCE WITH THE NATIONAL ELECTRICAL CODE AND LOCAL CODES BY TRAINED PERSONNEL TO PREVENT SERIOUS ELECTRICAL SHOCKS.

TO SERVICE MOTOR, DISCONNECT POWER SOURCE FROM MOTOR AND ANY ACCESSORY DEVICES AND ALLOW MOTOR TO COME TO A COMPLETE STAND STILL.

LOW VOLTAGE 60Hz. 208-230V



HIGH VOLTAGE 60Hz: 460V 50Hz: 400V



96553852

INTERCHANGE ANY TWO LINE WIRES TO REVERSE ROTATION

THERMOSTAT LEADS

(WHEN PROVIDED)

