

PROJECT: _____	UNIT TAG: _____	QUANTITY: _____
REPRESENTATIVE: _____	TYPE OF SERVICE: _____	DATE: _____
ENGINEER: _____	SUBMITTED BY: _____	DATE: _____
CONTRACTOR: _____	APPROVED BY: _____	DATE: _____
	ORDER NO.: _____	DATE: _____

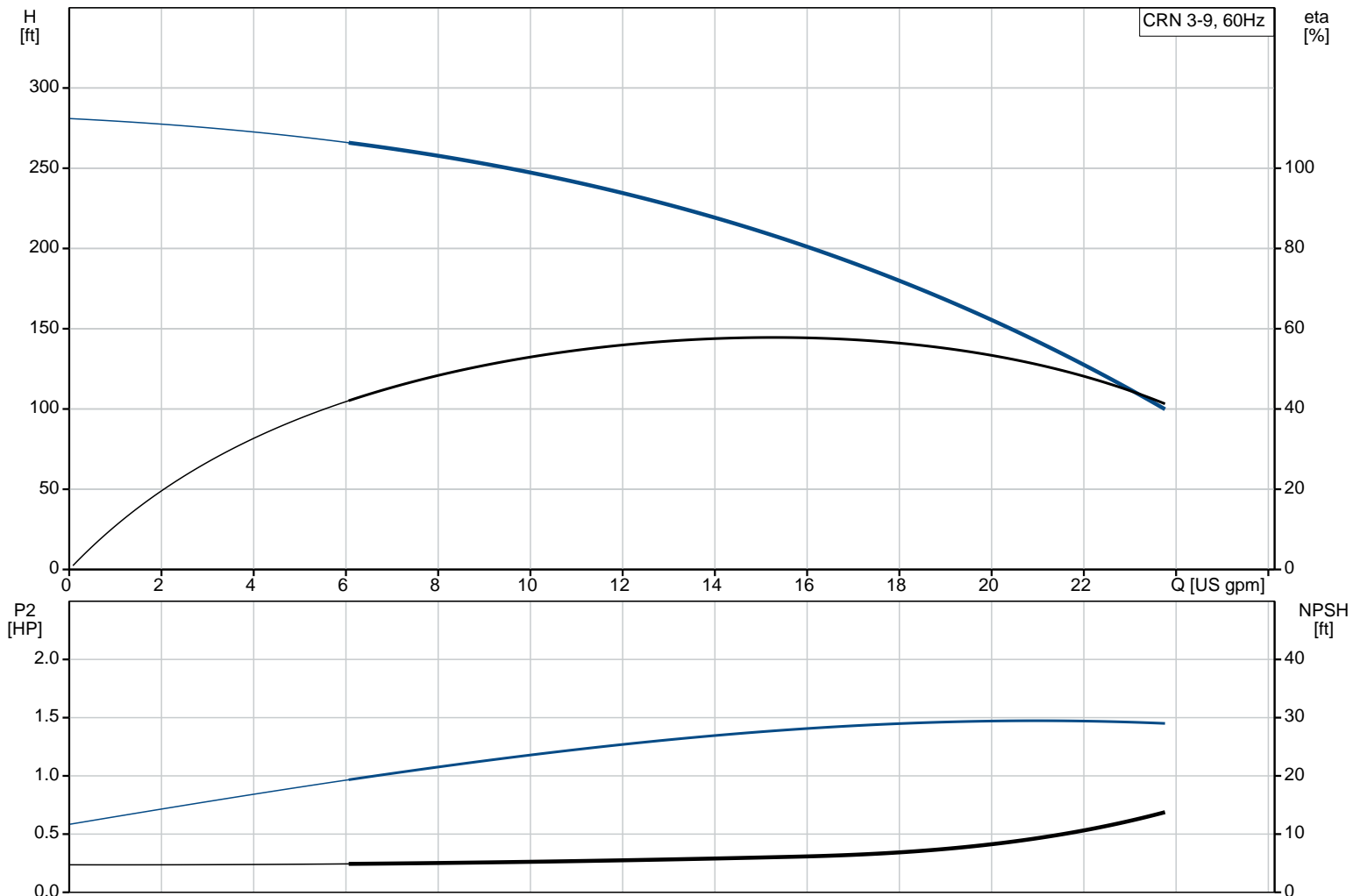


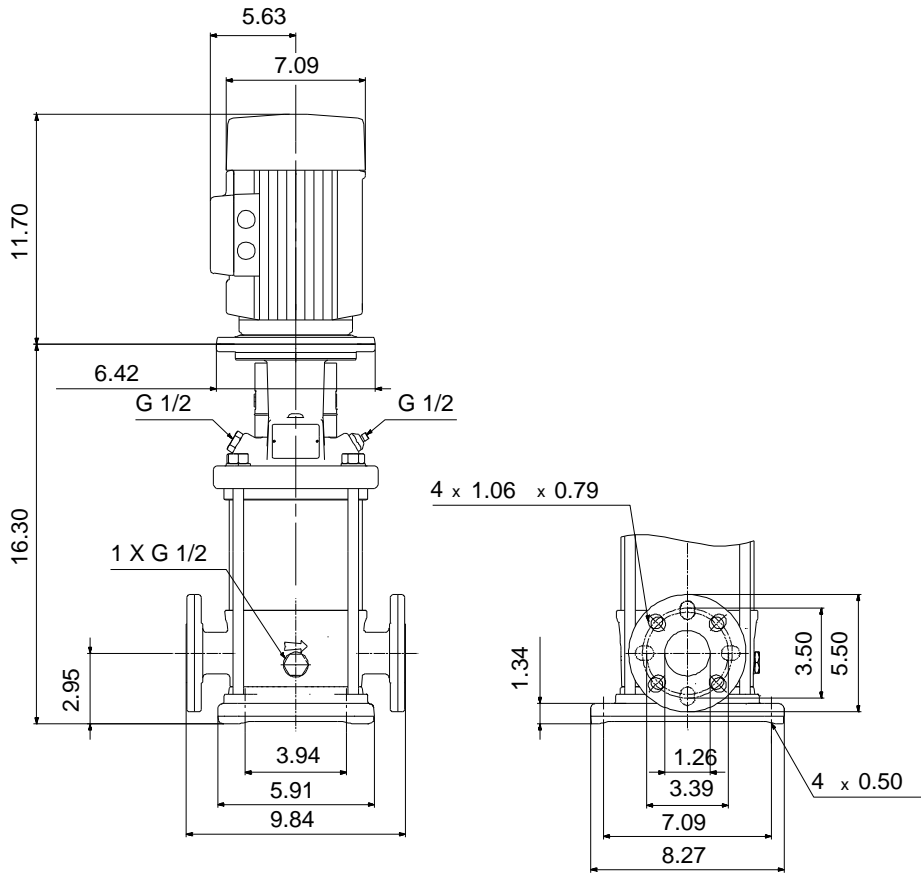
CRN 3-9 A-FGJ-A-V-HQQV

Vertical, multistage centrifugal pump with suction and discharge ports on same the level. Pump materials in contact with the liquid are in high-grade stainless steel (EN 1.4401) (AISI 316)

Product photo could vary from the actual product

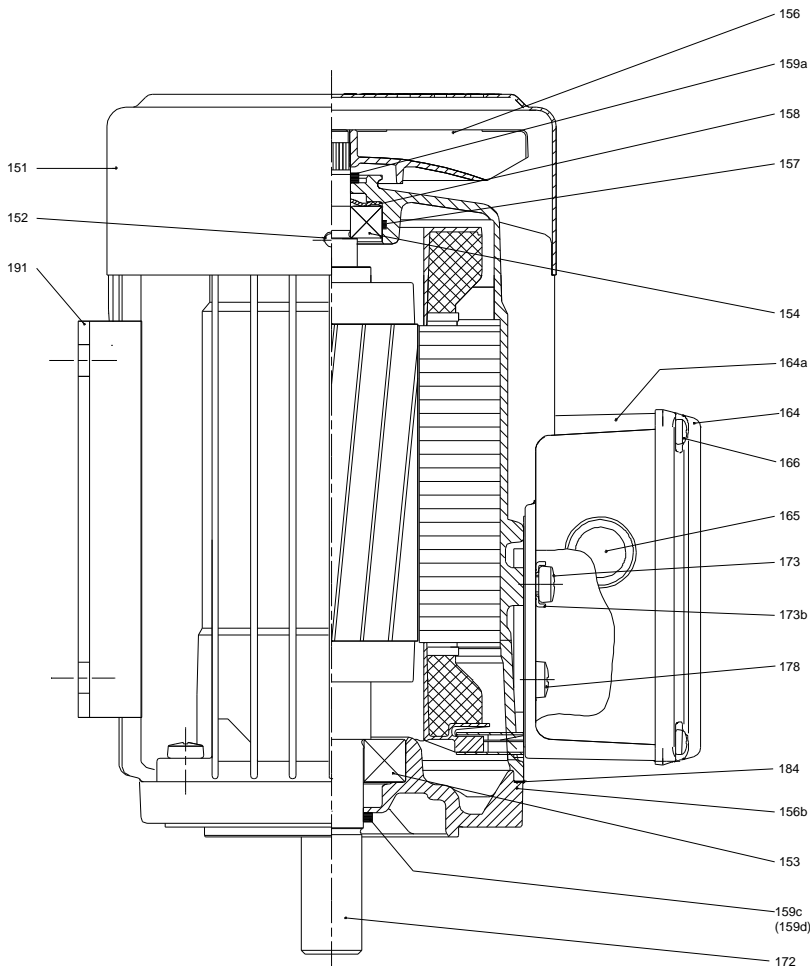
Conditions of Service	Pump Data	Motor Data
Flow: _____	Max pressure at stated temperature: 363 psi / 194 °F	Rated power - P2: 1.5 HP
Head: _____	Liquid temperature range: -4 .. 194 °F	Rated voltage: 208-230YY/460Y V
Efficiency: _____	Maximum ambient temperature: 140 °F	Main frequency: 60 Hz
Liquid: Water	Approvals: CURUS	Enclosure class: 55 Dust/Jetting
Temperature: 68 °F	Shaft seal: HQQV	Insulation class: F
NPSH required: ft	Product number: 96084024	Motor protection: NONE
Viscosity: _____		Motor type: 80CA
Specific Gravity: 1.000		Motor_efficiency: 84.9 %





Materials:

- Base:
 - Stainless steel
 - EN 1.4408
 - AISI 316
- Impeller:
 - Stainless steel
 - AISI 316
 - EN 1.4401
- Material code: A
- Code for rubber: V



Count	Description
-------	-------------

1 CRN 3-9 A-FGJ-A-V-HQQV



Product No.: [96084024](#)

Vertical, non-self-priming, multistage, in-line, centrifugal pump for installation in pipe systems and mounting on a foundation.

The pump has the following characteristics:

- Impellers, intermediate chambers and outer sleeve are made of
- Pump head cover and base are made of
- The shaft seal has assembly length according to EN 12756.
- Power transmission is via cast iron split coupling flanges/couplings.

The motor is a 3-phase AC motor.

Controls:

Frequency converter: NONE

Liquid:

Pumped liquid: Water
 Liquid temperature range: -4 .. 194 °F
 Selected liquid temperature: 68 °F
 Density: 62.29 lb/ft³

Technical:

Rated pump speed: 3466 rpm
 Rated flow: 15.4 US gpm
 Rated head: 206.7 ft
 Pump orientation: Vertical
 Shaft seal arrangement: Single
 Code for shaft seal: HQQV
 Approvals on nameplate: CURUS
 Curve tolerance: ISO9906:2012 3B

Materials:

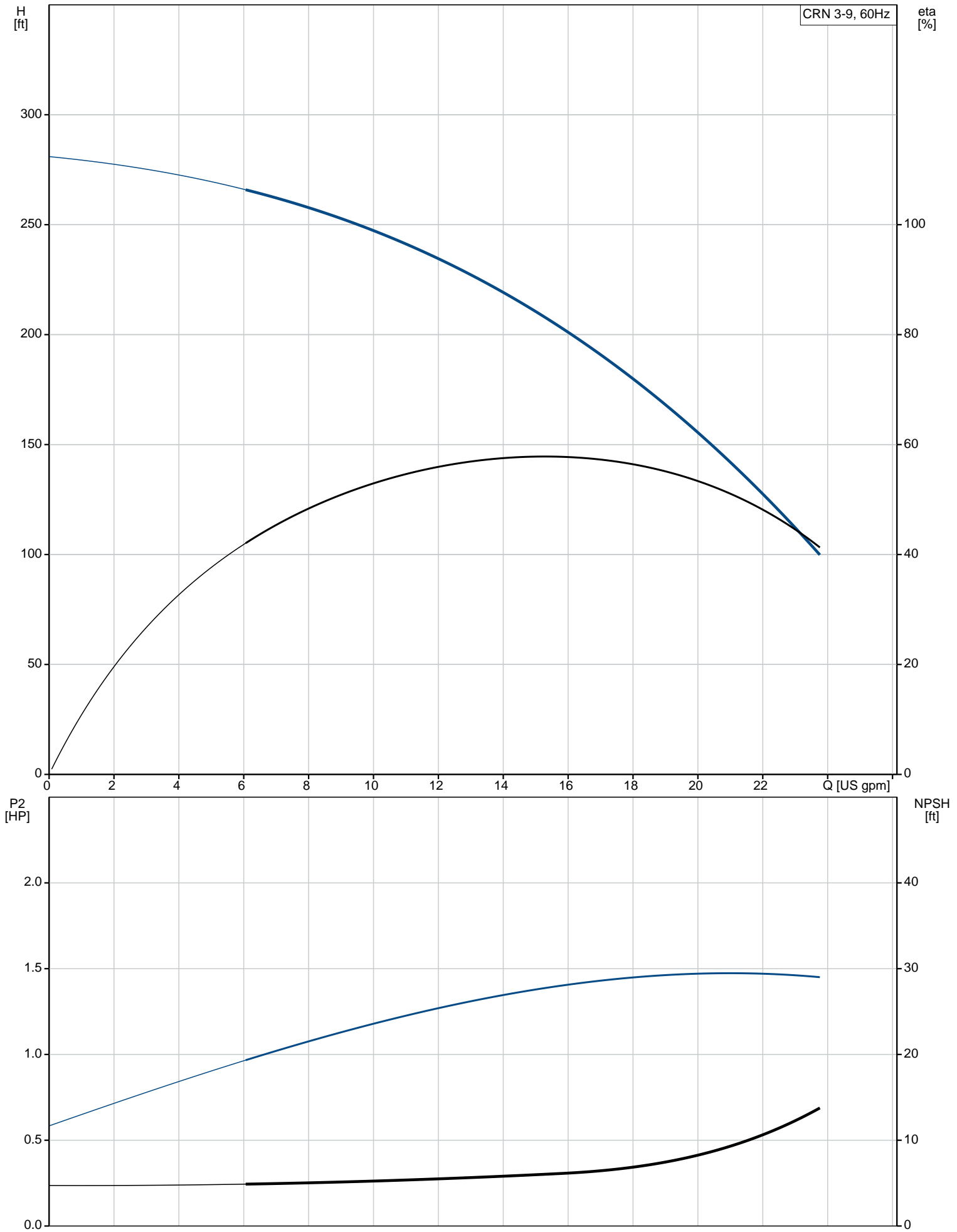
Base: Stainless steel
 EN 1.4408
 AISI 316
 Impeller: Stainless steel
 EN 1.4401
 AISI 316
 Bearing: SIC

Installation:

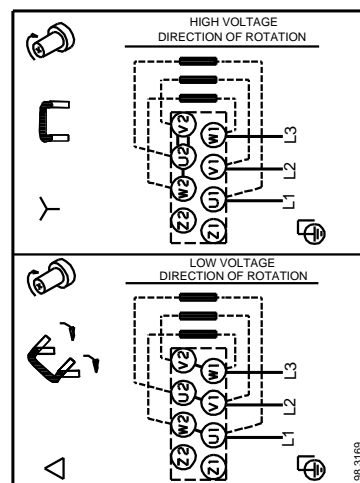
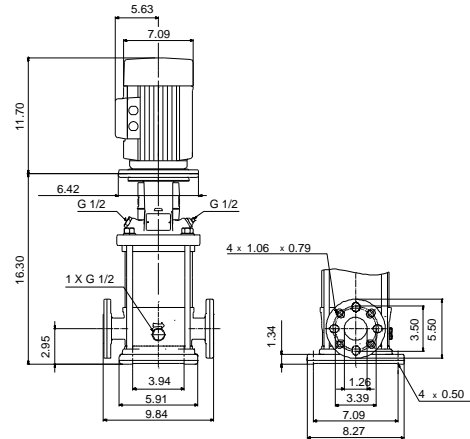
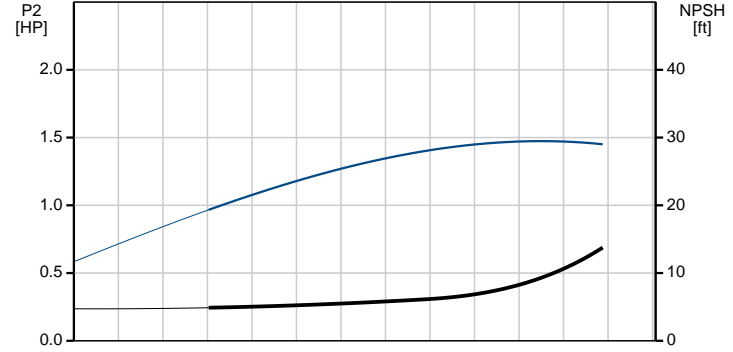
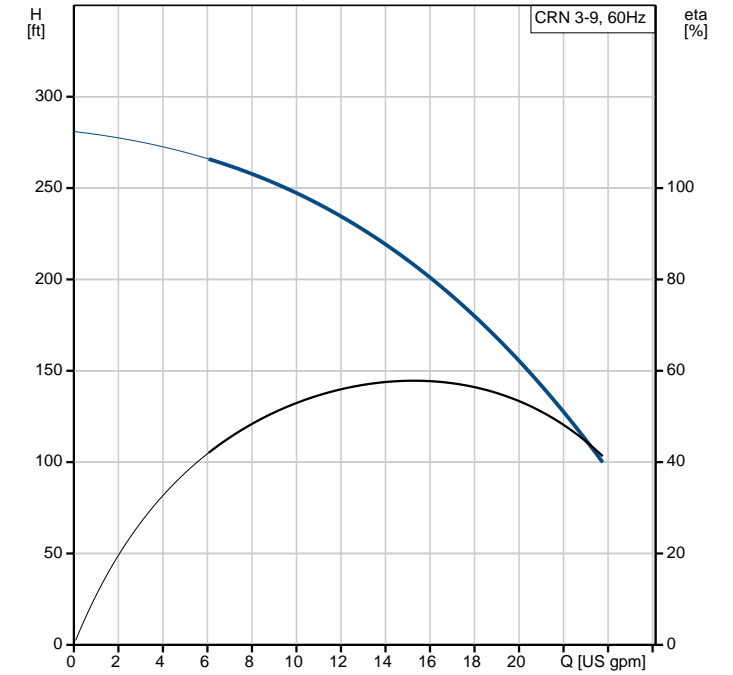
Maximum ambient temperature: 140 °F
 Maximum operating pressure: 362.59 psi
 Max pressure at stated temperature: 363 psi / 194 °F
 363 psi / -4 °F
 Type of connection: DIN / ANSI / JIS
 Size of inlet connection: DN 25/32
 Size of suction port: 1 1/4 inch
 Size of outlet connection: DN 25/32
 Size of outlet port: 1 1/4 inch
 Pressure rating for pipe connection: PN 25

Count	Description
	Flange rating inlet: 300 lb
	Flange size for motor: 56C
	Electrical data:
	Motor standard: NEMA
	Motor type: 80CA
	IE Efficiency class: NEMA Premium / IE3 60Hz
	Rated power - P2: 1.5 HP
	Power (P2) required by pump: 1.5 HP
	Main frequency: 60 Hz
	Rated voltage: 3 x 208-230YY/460Y V
	Service factor: 1.15
	Rated current: 4,45-4,3/2,16 A
	Starting current: 720 %
	Cos phi - power factor: 0.84-0.78
	Rated speed: 3440-3480 rpm
	IE efficiency: IE3 84,1%
	Motor efficiency at full load: 84.9 %
	Motor efficiency at 3/4 load: 81.0 %
	Motor efficiency at 1/2 load: 78.5 %
	Number of poles: 2
	Enclosure class (IEC 34-5): 55 Dust/Jetting
	Insulation class (IEC 85): F
	Motor Number: 98976607
	Others:
	Net weight: 57.5 lb
	Gross weight: 68.5 lb
	Shipping volume: 6.11 ft ³
	Country of origin: US
	Custom tariff no.: 8413.70.2040

96084024 CRN 3-9 A-FGJ-A-V-HQQV 60 Hz



Description	Value
General information:	
Product name:	CRN 3-9 A-FGJ-A-V-HQQV
Product No.:	96084024
EAN:	5700395181524
Technical:	
Rated pump speed:	3466 rpm
Rated flow:	15.4 US gpm
Rated head:	206.7 ft
Head max:	280.9 ft
Stages:	9
Impellers:	9
Number of reduced-diameter impellers:	0
Low NPSH:	N
Pump orientation:	Vertical
Shaft seal arrangement:	Single
Code for shaft seal:	HQQV
Approvals on nameplate:	CURUS
Curve tolerance:	ISO9906:2012 3B
Pump version:	A
Model:	A
Cooling:	TEFC
Materials:	
Base:	Stainless steel EN 1.4408 AISI 316
Impeller:	Stainless steel EN 1.4401 AISI 316
Material code:	A
Code for rubber:	V
Bearing:	SIC
Installation:	
Maximum ambient temperature:	140 °F
Maximum operating pressure:	362.59 psi
Max pressure at stated temperature:	363 psi / 194 °F 363 psi / -4 °F
Type of connection:	DIN / ANSI / JIS
Size of inlet connection:	DN 25/32
Size of suction port:	1 1/4 inch
Size of outlet connection:	DN 25/32
Size of outlet port:	1 1/4 inch
Pressure rating for pipe connection:	PN 25
Flange rating inlet:	300 lb
Flange size for motor:	56C
Connect code:	FGJ
Liquid:	
Pumped liquid:	Water
Liquid temperature range:	-4 .. 194 °F
Selected liquid temperature:	68 °F
Density:	62.29 lb/ft ³
Electrical data:	
Motor standard:	NEMA
Motor type:	80CA
IE Efficiency class:	NEMA Premium / IE3 60Hz
Rated power - P2:	1.5 HP
Power (P2) required by pump:	1.5 HP
Main frequency:	60 Hz
Rated voltage:	3 x 208-230YY/460Y V
Service factor:	1.15
Rated current:	4,45-4,3/2,16 A
Starting current:	720 %
Load current:	5,1-4,95/2,48 A
Cos phi - power factor:	0.84-0.78
Rated speed:	3440-3480 rpm
IE efficiency:	IE3 84,1%
Motor efficiency at full load:	84.9 %





Company name:

Created by:

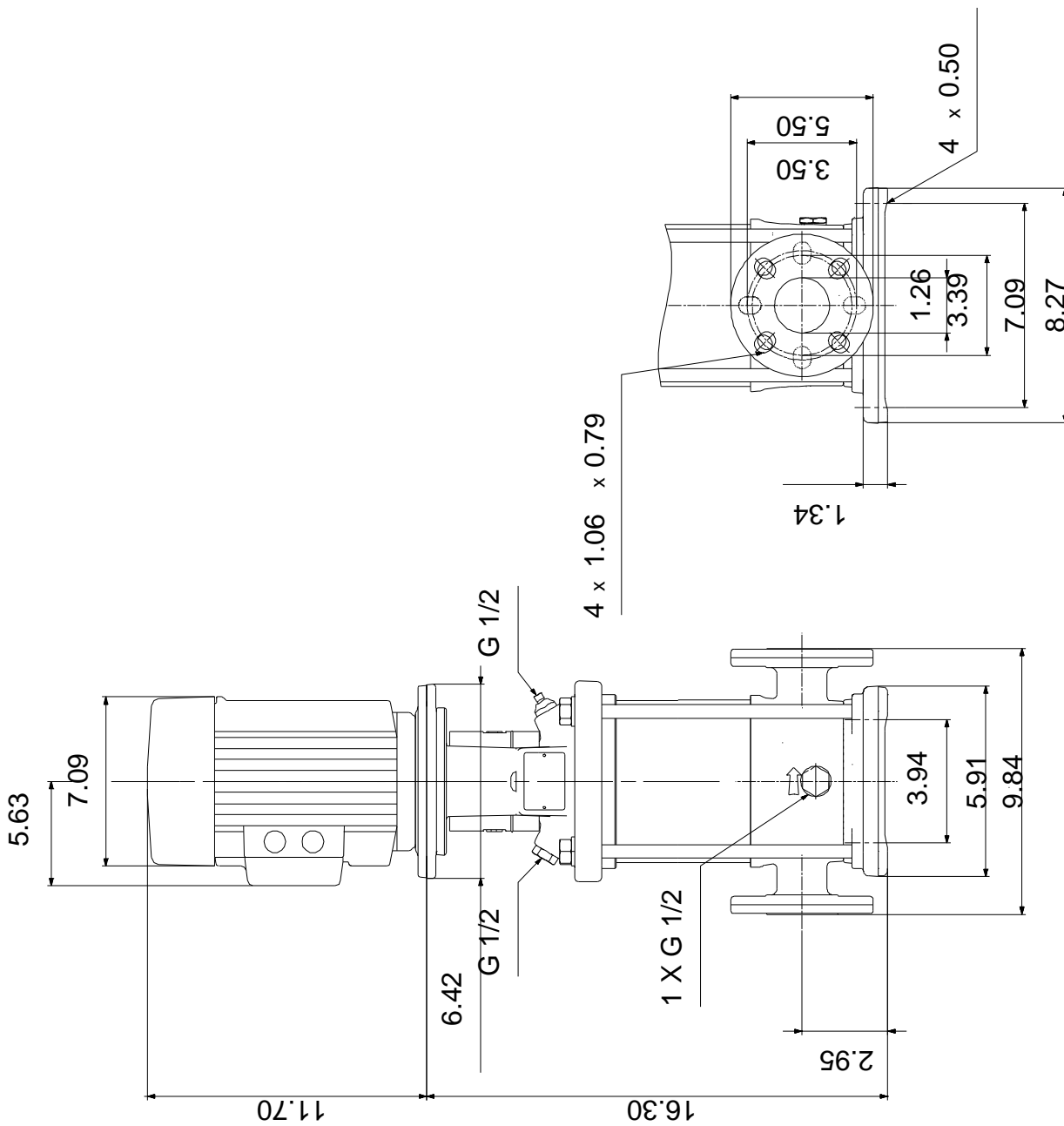
Phone:

Date:

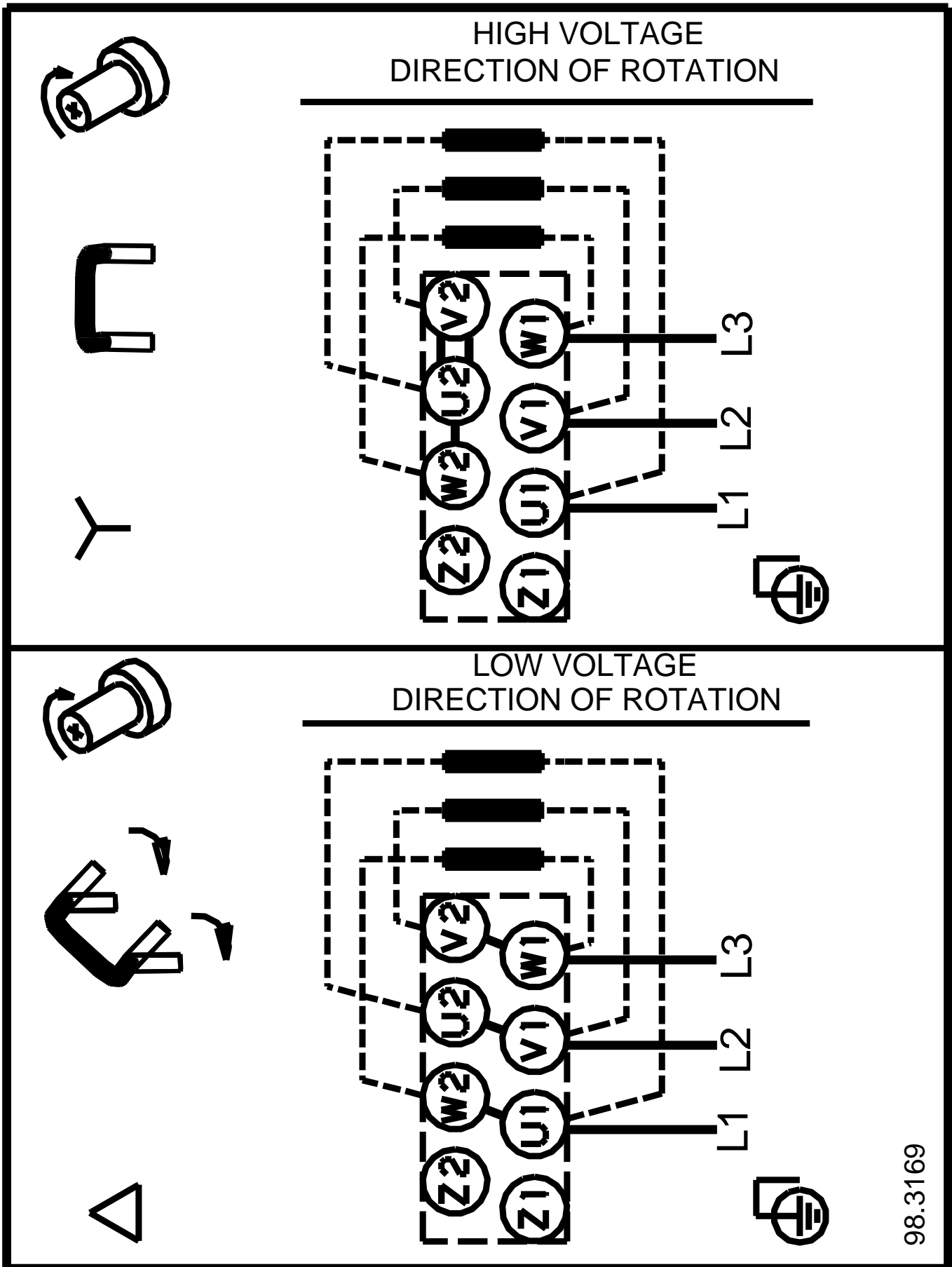
5/21/2019

Description	Value
Motor efficiency at 3/4 load:	81.0 %
Motor efficiency at 1/2 load:	78.5 %
Number of poles:	2
Enclosure class (IEC 34-5):	55 Dust/Jetting
Insulation class (IEC 85):	F
Motor protection:	NONE
Motor Number:	98976607
Controls:	
Frequency converter:	NONE
Others:	
Net weight:	57.5 lb
Gross weight:	68.5 lb
Shipping volume:	6.11 ft ³
Country of origin:	US
Custom tariff no.:	8413.70.2040

96084024 CRN 3-9 A-FGJ-A-V-HQQV 60 Hz



96084024 CRN 3-9 A-FGJ-A-V-HQQV 60 Hz



98.3169