

PROJECT: _____	UNIT TAG: _____	QUANTITY: _____
REPRESENTATIVE: _____	TYPE OF SERVICE: _____	DATE: _____
ENGINEER: _____	SUBMITTED BY: _____	DATE: _____
CONTRACTOR: _____	APPROVED BY: _____	DATE: _____
	ORDER NO.: _____	DATE: _____

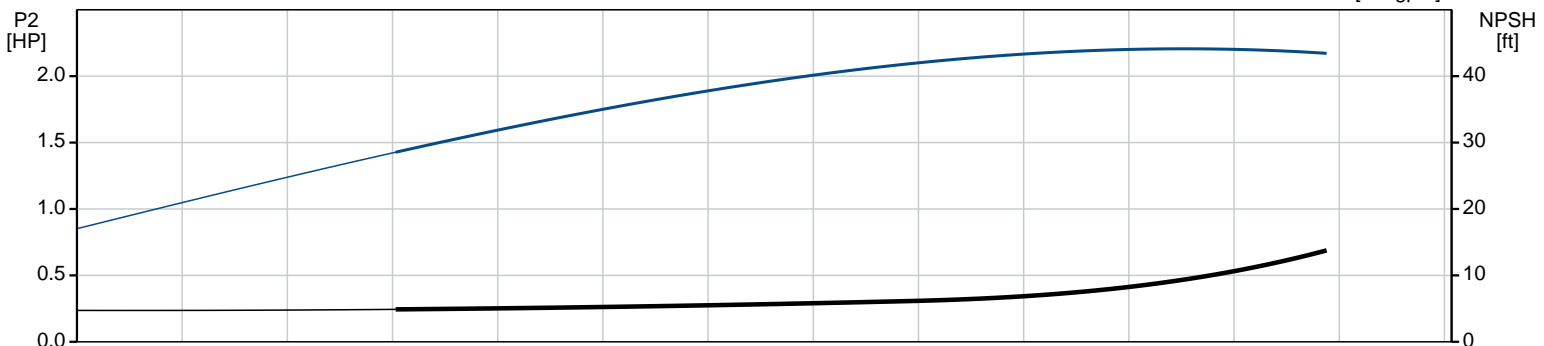
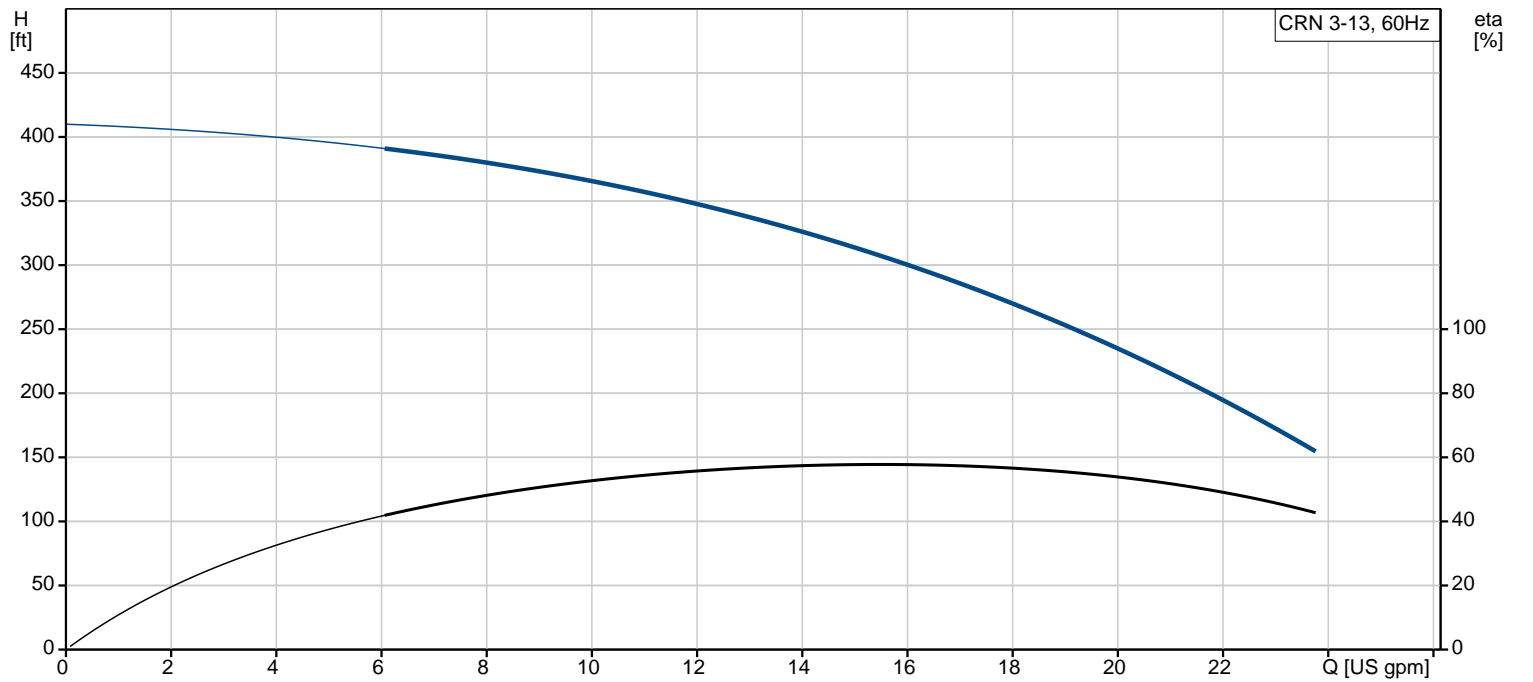
CRN 3-13 A-FGJ-A-V-HQQV

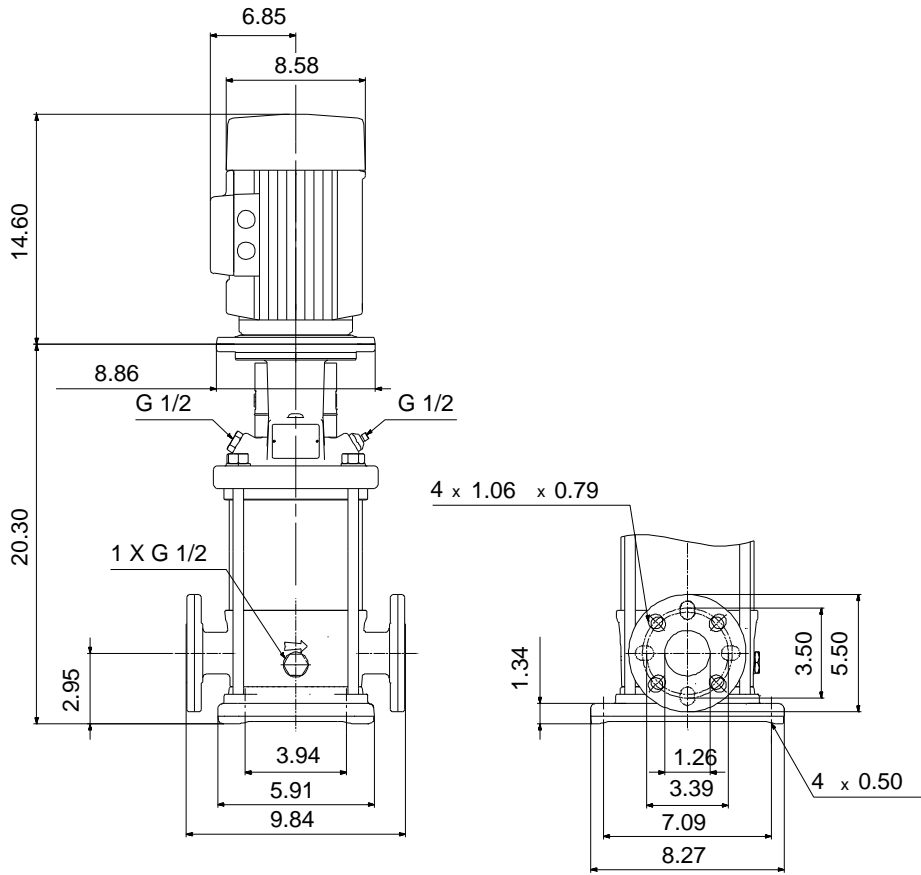
Vertical, multistage centrifugal pump with suction and discharge ports on same the level. Pump materials in contact with the liquid are in high-grade stainless steel (EN 1.4401) (AISI 316)



Product photo could vary from the actual product


Conditions of Service	Pump Data	Motor Data
Flow: _____	Max pressure at stated temperature: 363 psi / 194 °F	Rated power - P2: 3 HP
Head: _____	Liquid temperature range: -4 .. 194 °F	Rated voltage: 115/208-230 V
Efficiency: _____	Maximum ambient temperature: 104 °F	Main frequency: 60 Hz
Liquid: Water	Approvals: CURUS	Insulation class: F
Temperature: 68 °F	Shaft seal: HQQV	Motor protection: NONE
NPSH required: ft	Product number: 96084031	Motor type: Baldor
Viscosity: _____		
Specific Gravity: 1.000		





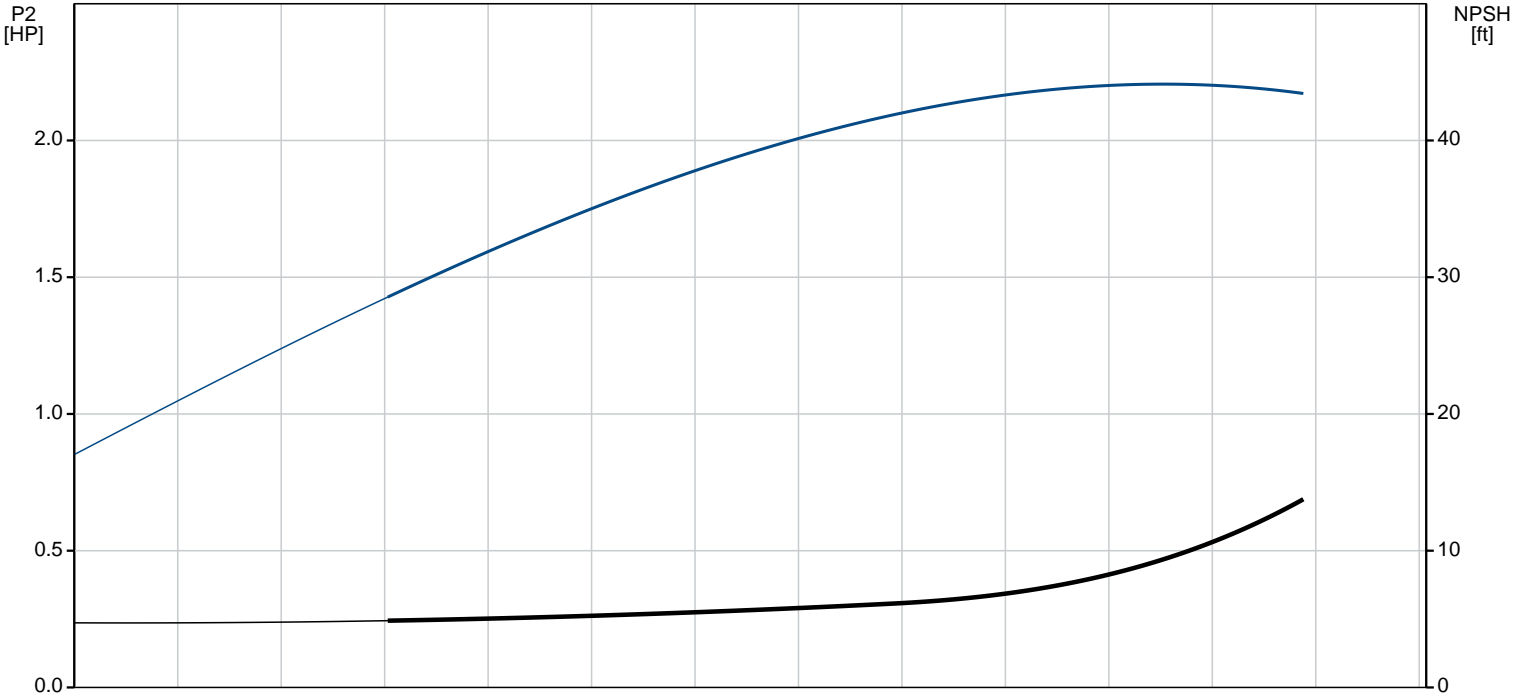
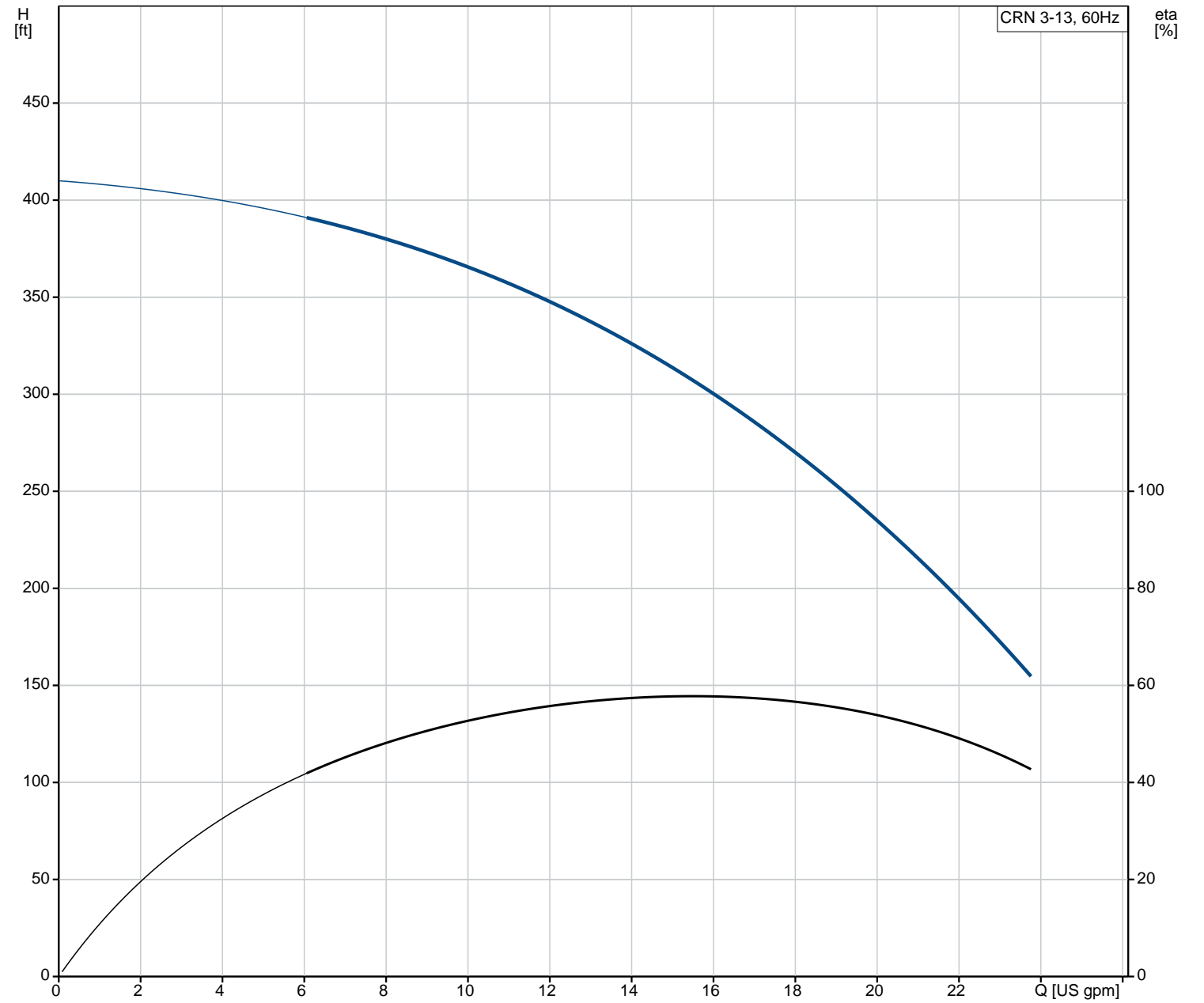
Materials:

- Base: Stainless steel
EN 1.4408
AISI 316
- Impeller: Stainless steel
AISI 316
EN 1.4401
- Material code: A
- Code for rubber: V

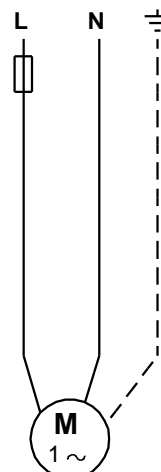
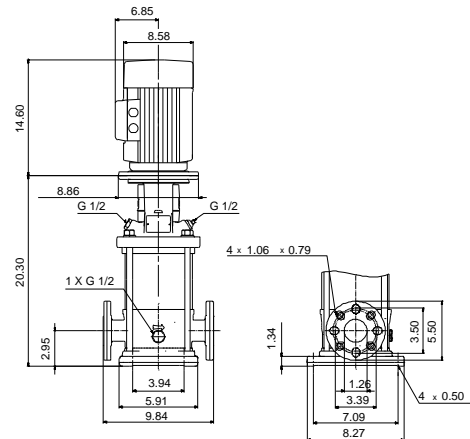
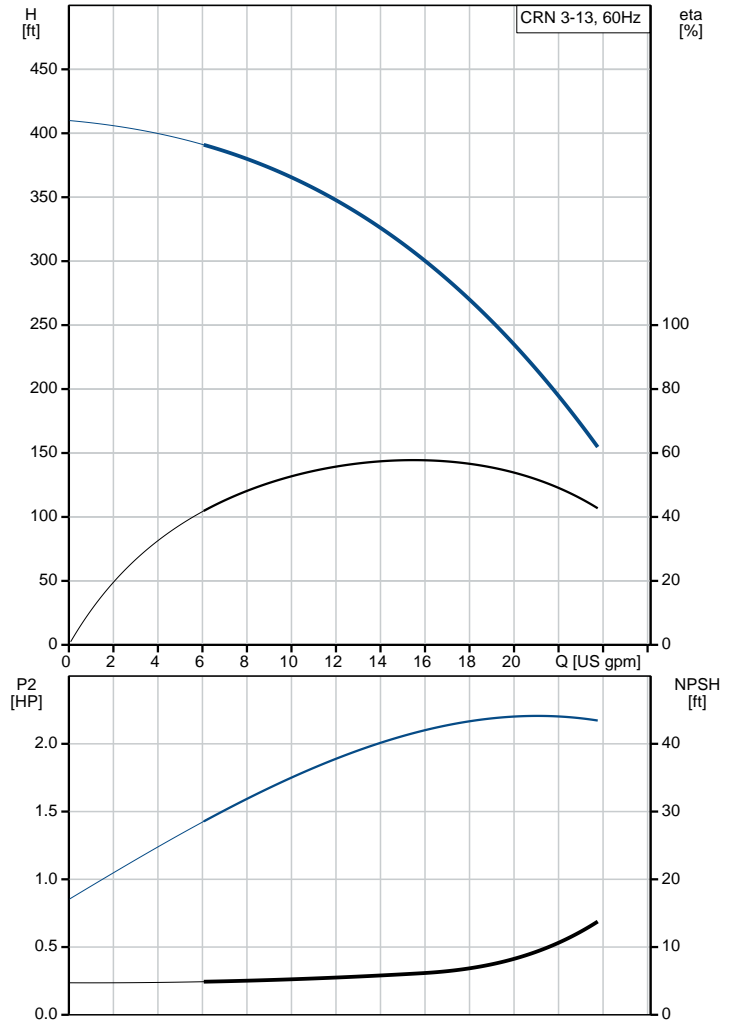
Count	Description
1	<p data-bbox="111 224 438 257">CRN 3-13 A-FGJ-A-V-HQQV</p> <div data-bbox="263 257 343 504" style="text-align: center;">  </div> <p data-bbox="111 548 375 571">Product No.: 96084031</p> <p data-bbox="111 577 630 660">Vertical, non-self-priming, multistage, in-line, centrifugal pump for installation in pipe systems and mounting on a foundation.</p> <p data-bbox="111 694 662 963">The pump has the following characteristics:</p> <ul style="list-style-type: none"> - Impellers, intermediate chambers and outer sleeve are made of - Pump head cover and base are made of - The shaft seal has assembly length according to EN 12756. - Power transmission is via cast iron split coupling flanges/couplings. <p data-bbox="111 996 486 1019">The motor is a 1-phase AC motor.</p> <p data-bbox="111 1052 223 1075">Controls:</p> <p data-bbox="111 1086 550 1108">Frequency converter: NONE</p> <p data-bbox="111 1142 199 1164">Liquid:</p> <p data-bbox="111 1176 598 1288">Pumped liquid: Water Liquid temperature range: -4 .. 194 °F Selected liquid temperature: 68 °F Density: 62.29 lb/ft³</p> <p data-bbox="111 1321 239 1344">Technical:</p> <p data-bbox="111 1355 678 1579">Rated pump speed: 3457 rpm Rated flow: 15.4 US gpm Rated head: 308.4 ft Pump orientation: Vertical Shaft seal arrangement: Single Code for shaft seal: HQQV Approvals on nameplate: CURUS Curve tolerance: ISO9906:2012 3B</p> <p data-bbox="111 1612 231 1635">Materials:</p> <p data-bbox="111 1646 638 1848">Base: Stainless steel EN 1.4408 AISI 316 Impeller: Stainless steel EN 1.4401 AISI 316 Bearing: SIC</p> <p data-bbox="111 1881 255 1904">Installation:</p> <p data-bbox="111 1915 710 2027">Maximum ambient temperature: 104 °F Maximum operating pressure: 362.59 psi Max pressure at stated temperature: 363 psi / 194 °F 363 psi / -4 °F</p> <p data-bbox="111 2038 654 2206">Type of connection: DIN / ANSI / JIS Size of inlet connection: DN 25/32 Size of suction port: 1 1/4 inch Size of outlet connection: DN 25/32 Size of outlet port: 1 1/4 inch Pressure rating for pipe connection: PN 25</p>

Count	Description
	Flange rating inlet: 300 lb
	Flange size for motor: 182TC
	Electrical data:
	Motor standard: NEMA
	Motor type: Baldor
	Rated power - P2: 3 HP
	Power (P2) required by pump: 3 HP
	Main frequency: 60 Hz
	Rated voltage: 1 x 115/208-230 V
	Service factor: 1.15
	Rated current: 29/16-14,5 A
	Rated speed: 3450 rpm
	Number of poles: 2
	Insulation class (IEC 85): F
	Motor Number: 84Z04014
	Others:
	Net weight: 119 lb
	Gross weight: 133 lb
	Shipping volume: 8.26 ft ³
	Country of origin: US
	Custom tariff no.: 8413.70.2040

96084031 CRN 3-13 A-FGJ-A-V-HQQV 60 Hz



Description	Value
General information:	
Product name:	CRN 3-13 A-FGJ-A-V-HQQV
Product No.:	96084031
EAN:	5700395181593
Technical:	
Rated pump speed:	3457 rpm
Rated flow:	15.4 US gpm
Rated head:	308.4 ft
Head max:	410.1 ft
Stages:	13
Impellers:	13
Number of reduced-diameter impellers:	0
Low NPSH:	N
Pump orientation:	Vertical
Shaft seal arrangement:	Single
Code for shaft seal:	HQQV
Approvals on nameplate:	CURUS
Curve tolerance:	ISO9906:2012 3B
Pump version:	A
Model:	A
Cooling:	TEFC
Materials:	
Base:	Stainless steel EN 1.4408 AISI 316
Impeller:	Stainless steel EN 1.4401 AISI 316
Material code:	A
Code for rubber:	V
Bearing:	SIC
Installation:	
Maximum ambient temperature:	104 °F
Maximum operating pressure:	362.59 psi
Max pressure at stated temperature:	363 psi / 194 °F 363 psi / -4 °F
Type of connection:	DIN / ANSI / JIS
Size of inlet connection:	DN 25/32
Size of suction port:	1 1/4 inch
Size of outlet connection:	DN 25/32
Size of outlet port:	1 1/4 inch
Pressure rating for pipe connection:	PN 25
Flange rating inlet:	300 lb
Flange size for motor:	182TC
Connect code:	FGJ
Liquid:	
Pumped liquid:	Water
Liquid temperature range:	-4 .. 194 °F
Selected liquid temperature:	68 °F
Density:	62.29 lb/ft³
Electrical data:	
Motor standard:	NEMA
Motor type:	Baldor
Rated power - P2:	3 HP
Power (P2) required by pump:	3 HP
Main frequency:	60 Hz
Rated voltage:	1 x 115/208-230 V
Service factor:	1.15
Rated current:	29/16-14,5 A
Load current:	31,8/18-16,9 A
Rated speed:	3450 rpm
Number of poles:	2
Insulation class (IEC 85):	F
Motor protection:	NONE
Motor Number:	84Z04014
Controls:	





Company name:

Created by:

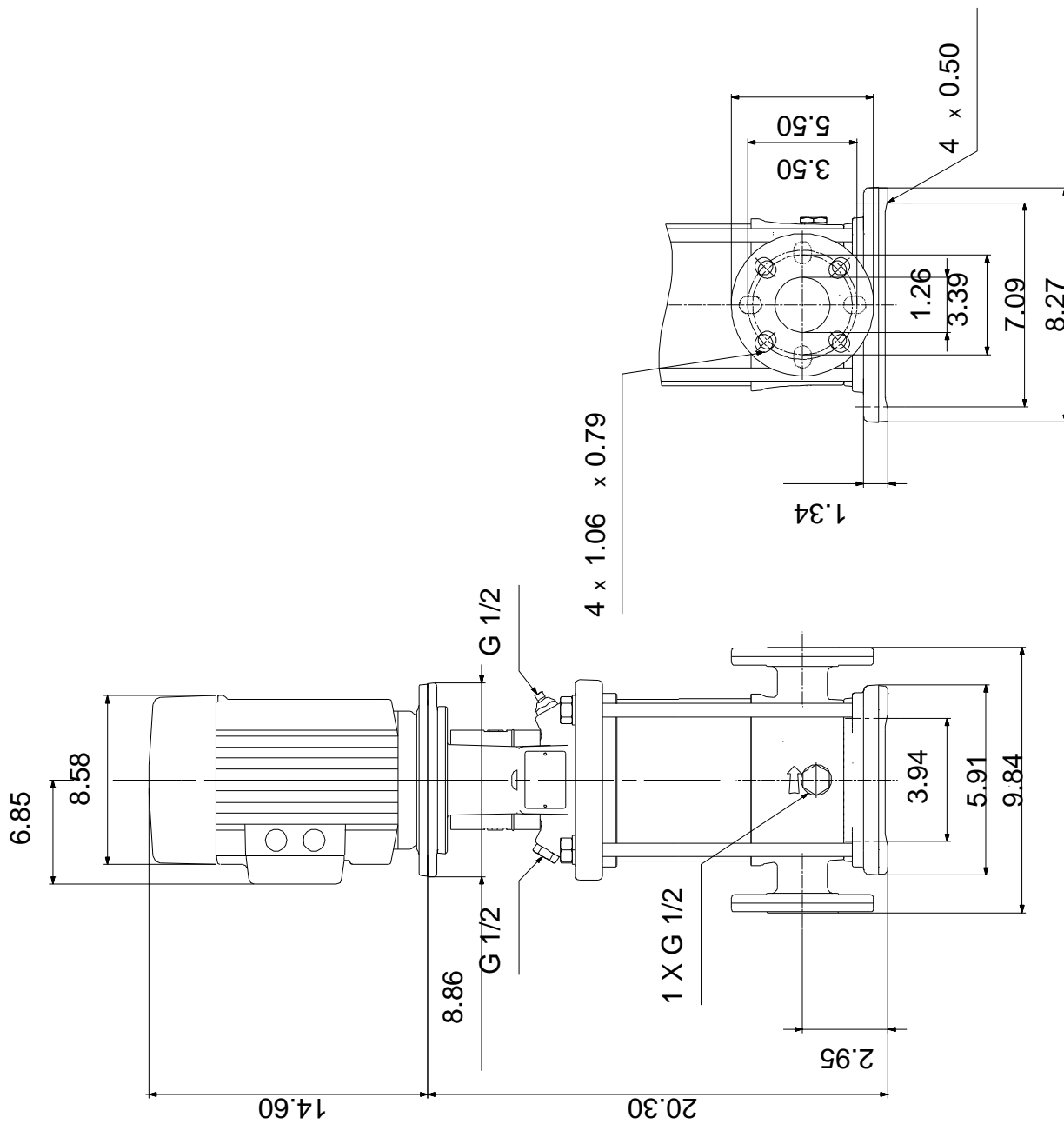
Phone:

Date:

5/28/2019

Description	Value
Frequency converter:	NONE
Others:	
Net weight:	119 lb
Gross weight:	133 lb
Shipping volume:	8.26 ft ³
Country of origin:	US
Custom tariff no.:	8413.70.2040

96084031 CRN 3-13 A-FGJ-A-V-HQQV 60 Hz



96084031 CRN 3-13 A-FGJ-A-V-HQQV 60 Hz

