

PROJECT: _____	UNIT TAG: _____	QUANTITY: _____
REPRESENTATIVE: _____	TYPE OF SERVICE: _____	DATE: _____
ENGINEER: _____	SUBMITTED BY: _____	DATE: _____
CONTRACTOR: _____	APPROVED BY: _____	DATE: _____
	ORDER NO.: _____	DATE: _____

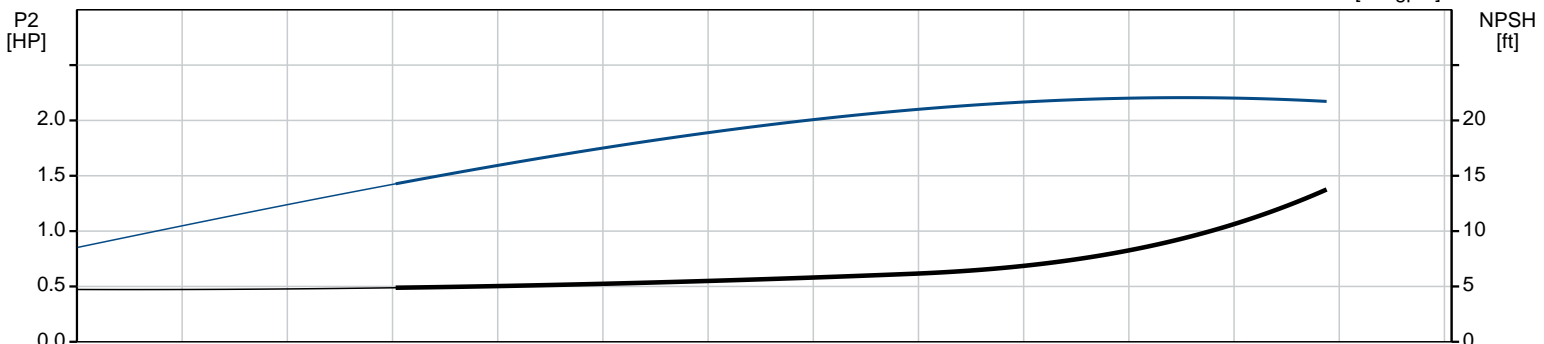
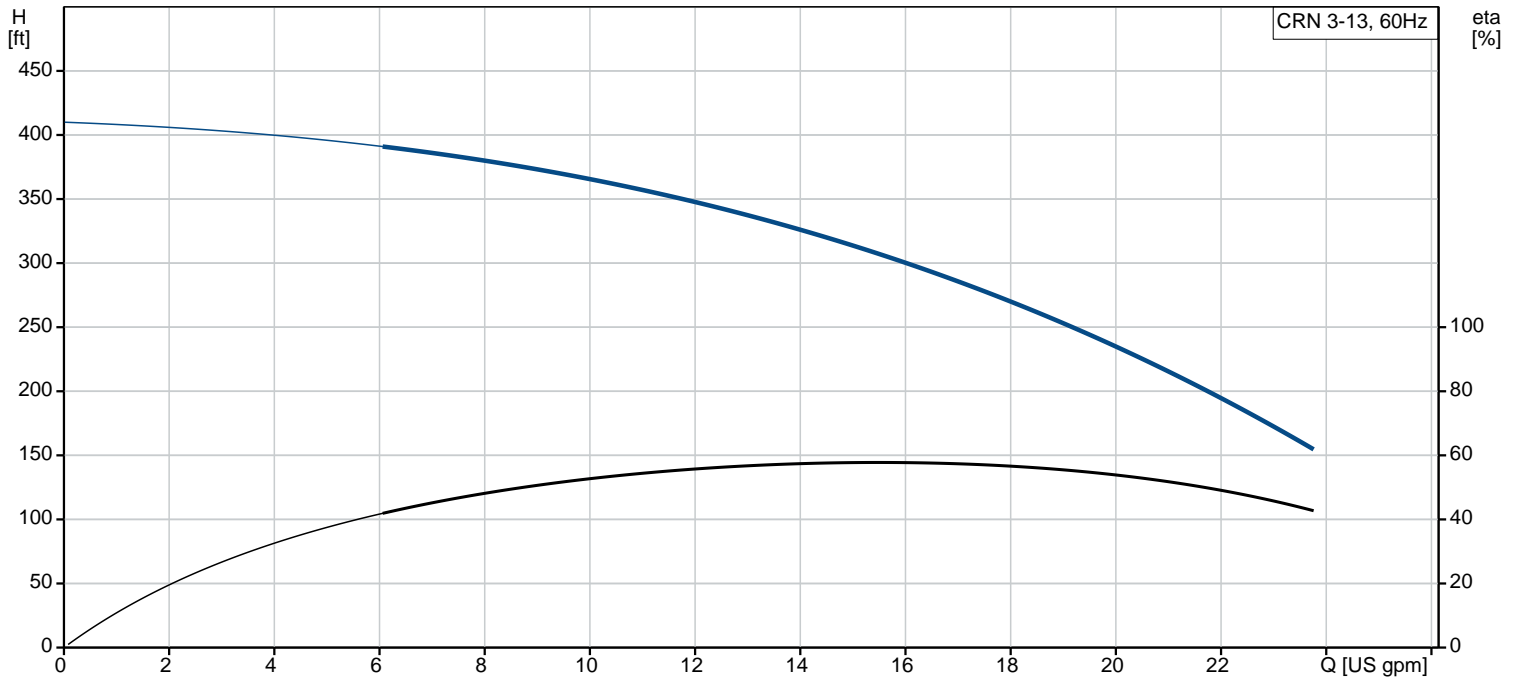
CRN 3-13 A-FGJ-A-V-HQQV

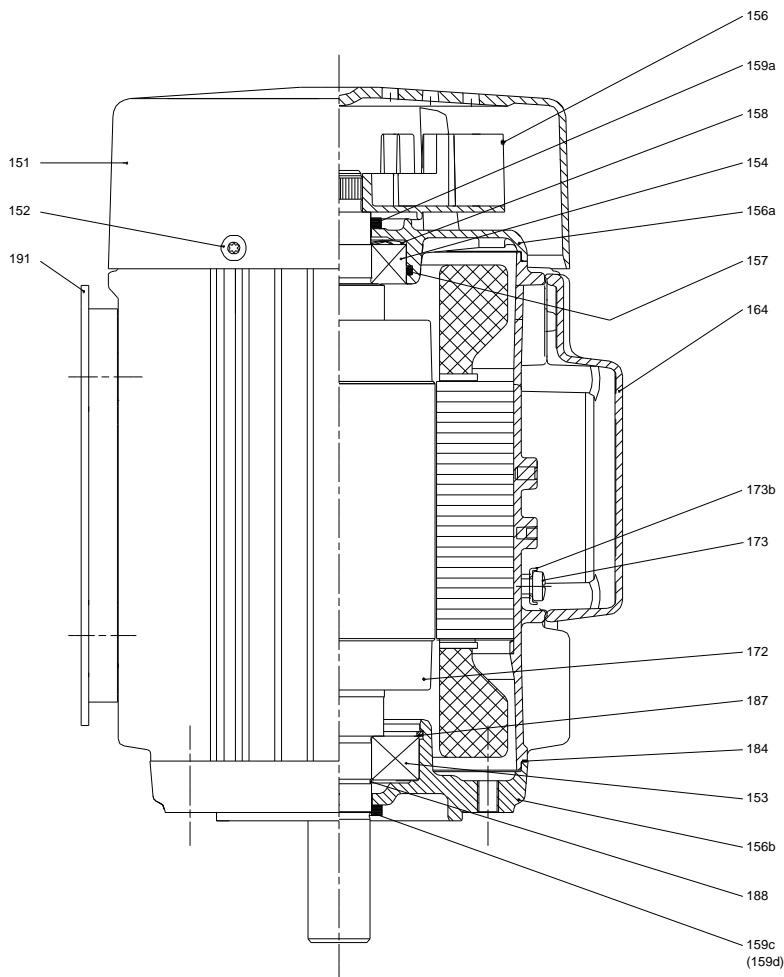
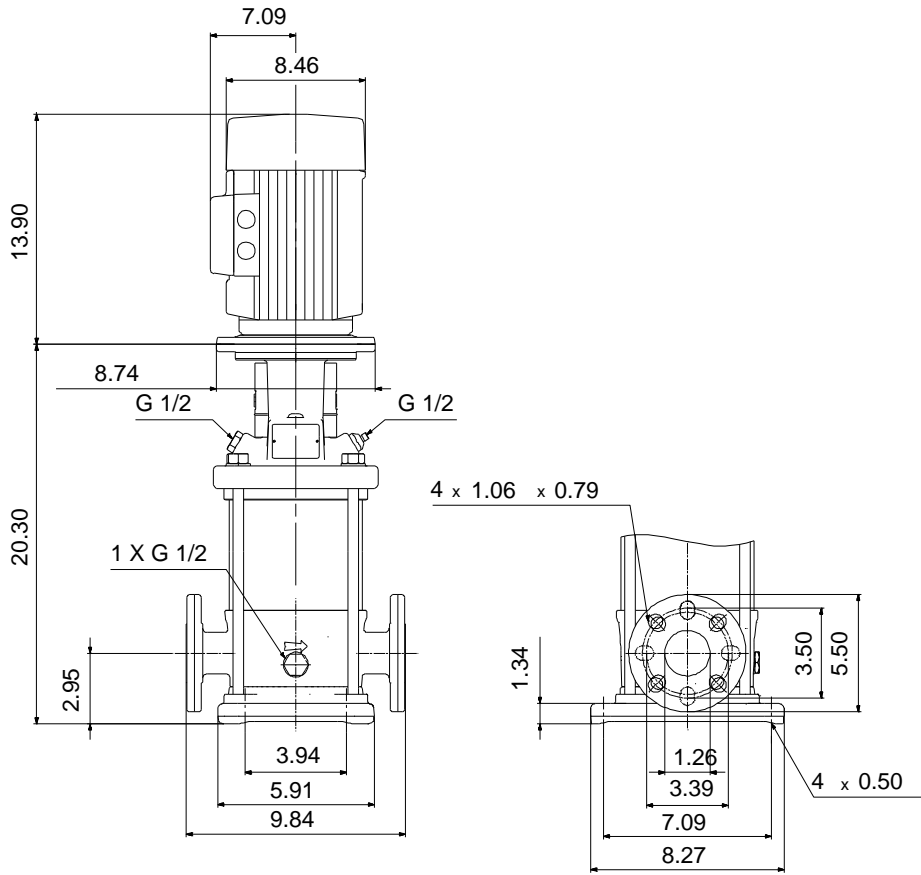
Vertical, multistage centrifugal pump with suction and discharge ports on same the level. Pump materials in contact with the liquid are in high-grade stainless steel (EN 1.4401) (AISI 316)



Product photo could vary from the actual product


Conditions of Service	Pump Data	Motor Data
Flow: _____	Max pressure at stated temperature: 363 psi / 194 °F	Rated power - P2: 3 HP
Head: _____	Liquid temperature range: -4 .. 194 °F	Rated voltage: 208-230YY/460Y V
Efficiency: _____	Maximum ambient temperature: 140 °F	Main frequency: 60 Hz
Liquid: Water	Approvals: CURUS	Enclosure class: 55 Dust/Jetting
Temperature: 68 °F	Shaft seal: HQQV	Insulation class: F
NPSH required: ft	Product number: 96084032	Motor protection: NONE
Viscosity: _____		Motor type: 90FA
Specific Gravity: 1.000		Motor_efficiency: 86.5 %





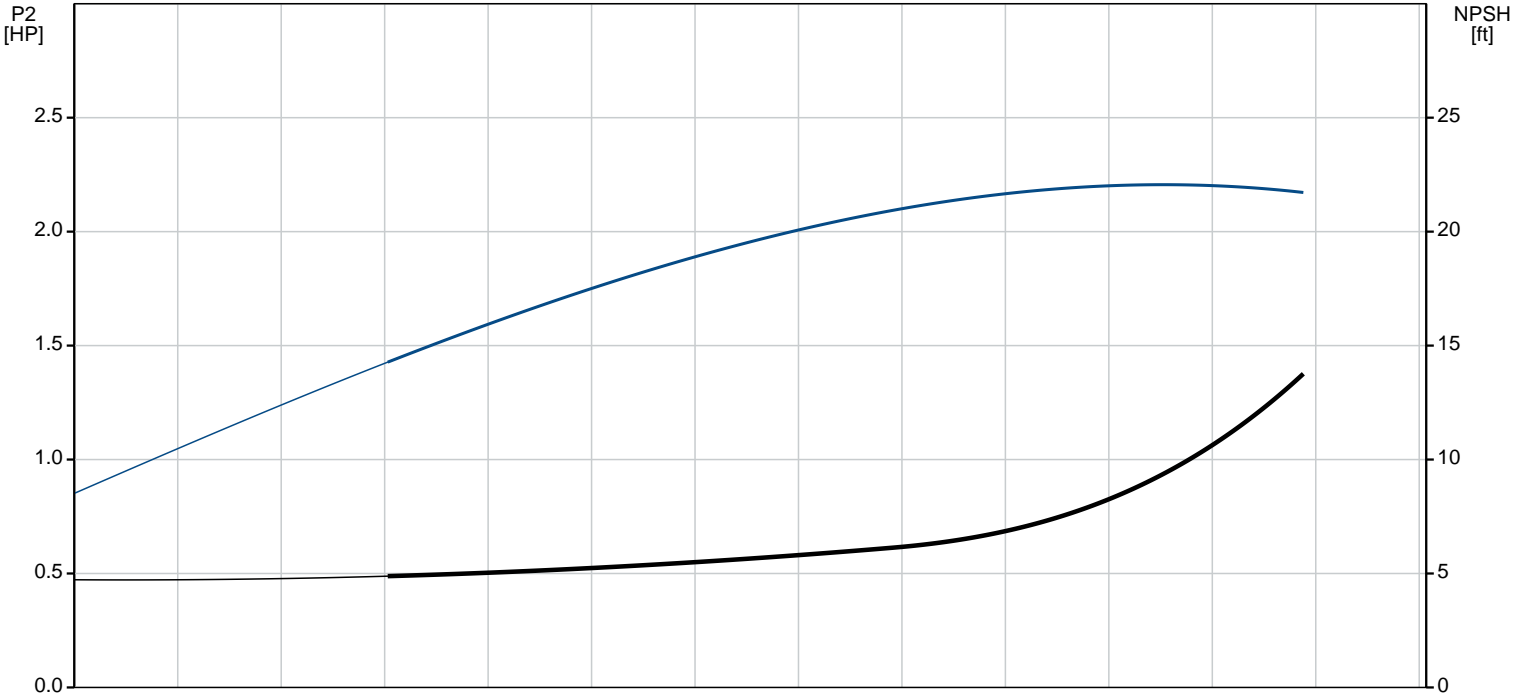
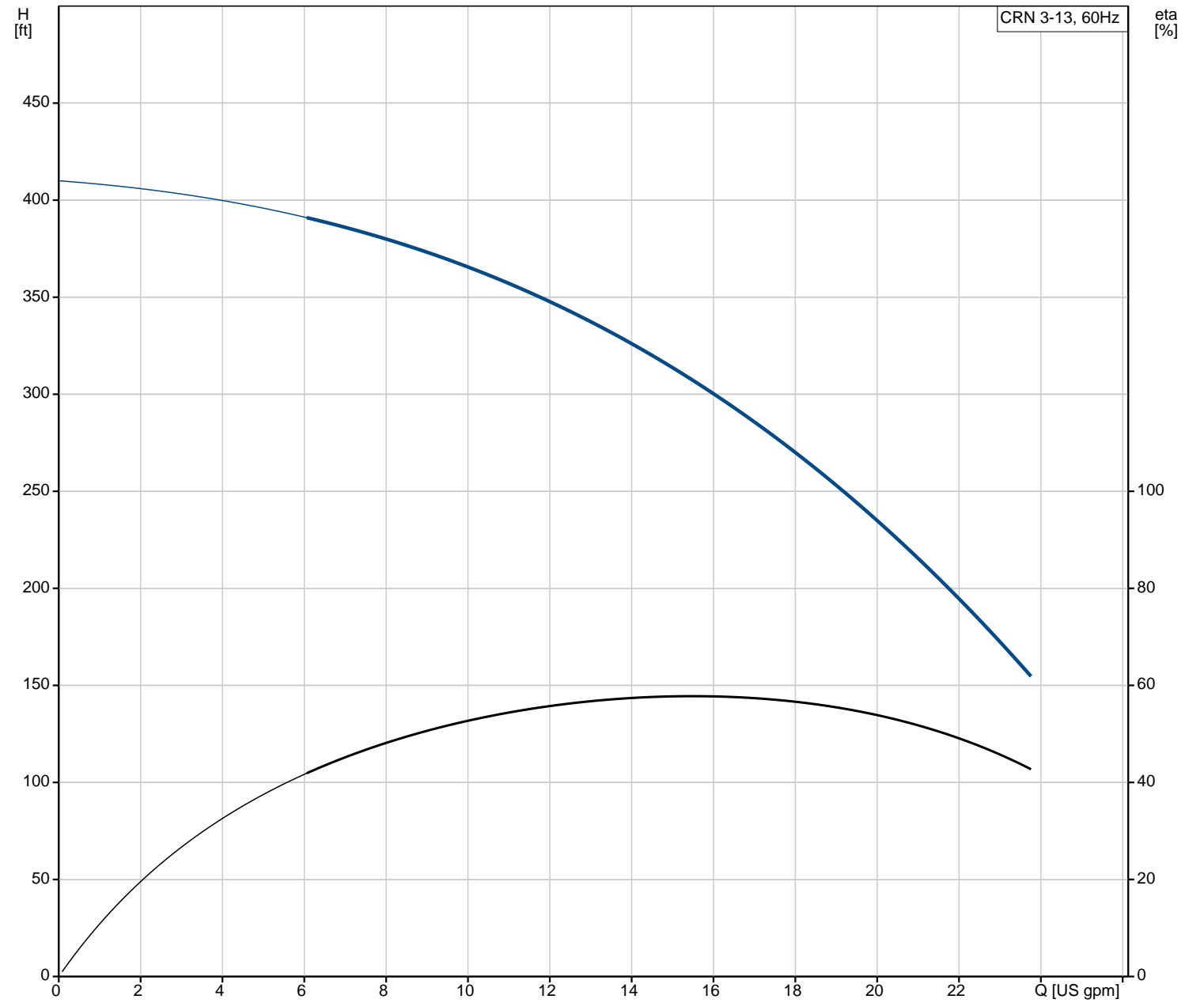
Materials:

- Base: Stainless steel
EN 1.4408
AISI 316
- Impeller: Stainless steel
AISI 316
EN 1.4401
- Material code: A
- Code for rubber: V

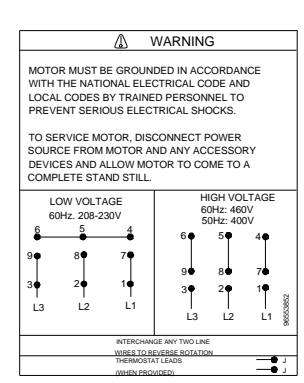
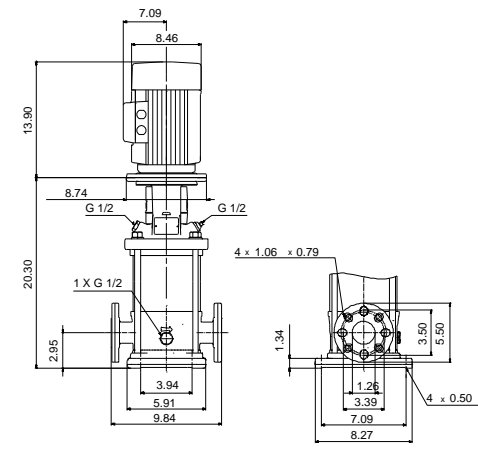
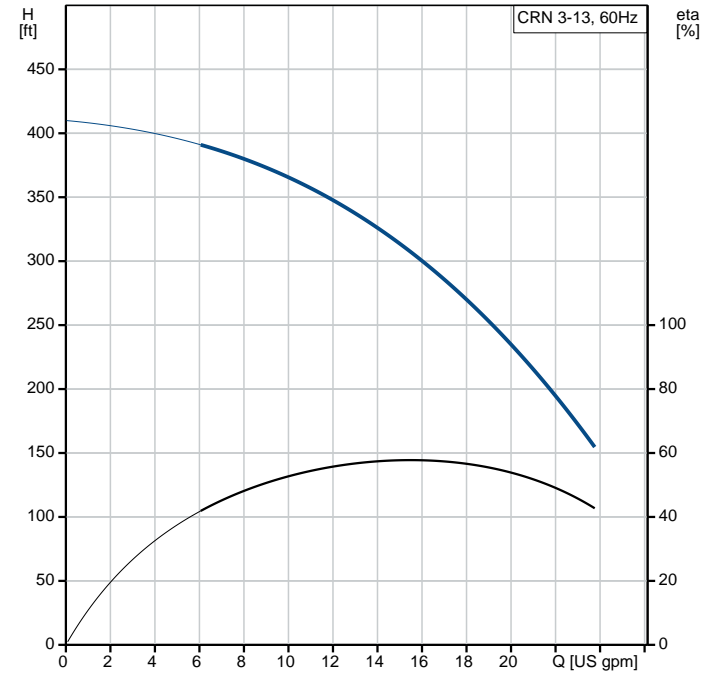
Count	Description
1	<p data-bbox="111 235 438 257">CRN 3-13 A-FGJ-A-V-HQQV</p>  <p data-bbox="111 548 375 571">Product No.: 96084032</p> <p data-bbox="111 582 630 660">Vertical, non-self-priming, multistage, in-line, centrifugal pump for installation in pipe systems and mounting on a foundation.</p> <p data-bbox="111 694 662 963">The pump has the following characteristics:</p> <ul style="list-style-type: none"> - Impellers, intermediate chambers and outer sleeve are made of - Pump head cover and base are made of - The shaft seal has assembly length according to EN 12756. - Power transmission is via cast iron split coupling flanges/couplings. <p data-bbox="111 996 486 1019">The motor is a 3-phase AC motor.</p> <p data-bbox="111 1052 223 1075">Controls:</p> <p data-bbox="111 1086 550 1108">Frequency converter: NONE</p> <p data-bbox="111 1142 199 1164">Liquid:</p> <p data-bbox="111 1176 598 1288">Pumped liquid: Water Liquid temperature range: -4 .. 194 °F Selected liquid temperature: 68 °F Density: 62.29 lb/ft³</p> <p data-bbox="111 1321 239 1344">Technical:</p> <p data-bbox="111 1355 678 1579">Rated pump speed: 3461 rpm Rated flow: 15.4 US gpm Rated head: 308.4 ft Pump orientation: Vertical Shaft seal arrangement: Single Code for shaft seal: HQQV Approvals on nameplate: CURUS Curve tolerance: ISO9906:2012 3B</p> <p data-bbox="111 1612 231 1635">Materials:</p> <p data-bbox="111 1646 638 1848">Base: Stainless steel EN 1.4408 AISI 316 Impeller: Stainless steel EN 1.4401 AISI 316 Bearing: SIC</p> <p data-bbox="111 1881 255 1904">Installation:</p> <p data-bbox="111 1915 710 2206">Maximum ambient temperature: 140 °F Maximum operating pressure: 362.59 psi Max pressure at stated temperature: 363 psi / 194 °F 363 psi / -4 °F Type of connection: DIN / ANSI / JIS Size of inlet connection: DN 25/32 Size of suction port: 1 1/4 inch Size of outlet connection: DN 25/32 Size of outlet port: 1 1/4 inch Pressure rating for pipe connection: PN 25</p>

Count	Description
	Flange rating inlet: 300 lb
	Flange size for motor: 182TC
	Electrical data:
	Motor standard: NEMA
	Motor type: 90FA
	IE Efficiency class: NEMA Premium / IE3 60Hz
	Rated power - P2: 3 HP
	Power (P2) required by pump: 3 HP
	Main frequency: 60 Hz
	Rated voltage: 3 x 208-230YY/460Y V
	Service factor: 1.15
	Rated current: 8,35-7,80/3,9 A
	Starting current: 940-1040 %
	Cos phi - power factor: 0.89-0.86
	Rated speed: 3510-3530 rpm
	IE efficiency: IE3 86,5%
	Motor efficiency at full load: 86.5 %
	Motor efficiency at 3/4 load: 86.5 %
	Motor efficiency at 1/2 load: 84.0 %
	Number of poles: 2
	Enclosure class (IEC 34-5): 55 Dust/Jetting
	Insulation class (IEC 85): F
	Motor Number: 85903977
	Others:
	Net weight: 95.4 lb
	Gross weight: 110 lb
	Shipping volume: 8.26 ft ³
	Country of origin: US
	Custom tariff no.: 8413.70.2040

96084032 CRN 3-13 A-FGJ-A-V-HQQV 60 Hz



Description	Value
General information:	
Product name:	CRN 3-13 A-FGJ-A-V-HQQV
Product No.:	96084032
EAN:	5700395181609
Technical:	
Rated pump speed:	3461 rpm
Rated flow:	15.4 US gpm
Rated head:	308.4 ft
Head max:	410.1 ft
Stages:	13
Impellers:	13
Number of reduced-diameter impellers:	0
Low NPSH:	N
Pump orientation:	Vertical
Shaft seal arrangement:	Single
Code for shaft seal:	HQQV
Approvals on nameplate:	CURUS
Curve tolerance:	ISO9906:2012 3B
Pump version:	A
Model:	A
Cooling:	TEFC
Materials:	
Base:	Stainless steel EN 1.4408 AISI 316
Impeller:	Stainless steel EN 1.4401 AISI 316
Material code:	A
Code for rubber:	V
Bearing:	SIC
Installation:	
Maximum ambient temperature:	140 °F
Maximum operating pressure:	362.59 psi
Max pressure at stated temperature:	363 psi / 194 °F 363 psi / -4 °F
Type of connection:	DIN / ANSI / JIS
Size of inlet connection:	DN 25/32
Size of suction port:	1 1/4 inch
Size of outlet connection:	DN 25/32
Size of outlet port:	1 1/4 inch
Pressure rating for pipe connection:	PN 25
Flange rating inlet:	300 lb
Flange size for motor:	182TC
Connect code:	FGJ
Liquid:	
Pumped liquid:	Water
Liquid temperature range:	-4 .. 194 °F
Selected liquid temperature:	68 °F
Density:	62.29 lb/ft³
Electrical data:	
Motor standard:	NEMA
Motor type:	90FA
IE Efficiency class:	NEMA Premium / IE3 60Hz
Rated power - P2:	3 HP
Power (P2) required by pump:	3 HP
Main frequency:	60 Hz
Rated voltage:	3 x 208-230YY/460Y V
Service factor:	1.15
Rated current:	8,35-7,80/3,9 A
Starting current:	940-1040 %
Load current:	9,5-8,95/4,5 A
Cos phi - power factor:	0.89-0.86
Rated speed:	3510-3530 rpm
IE efficiency:	IE3 86,5%
Motor efficiency at full load:	86.5 %





Company name:

Created by:

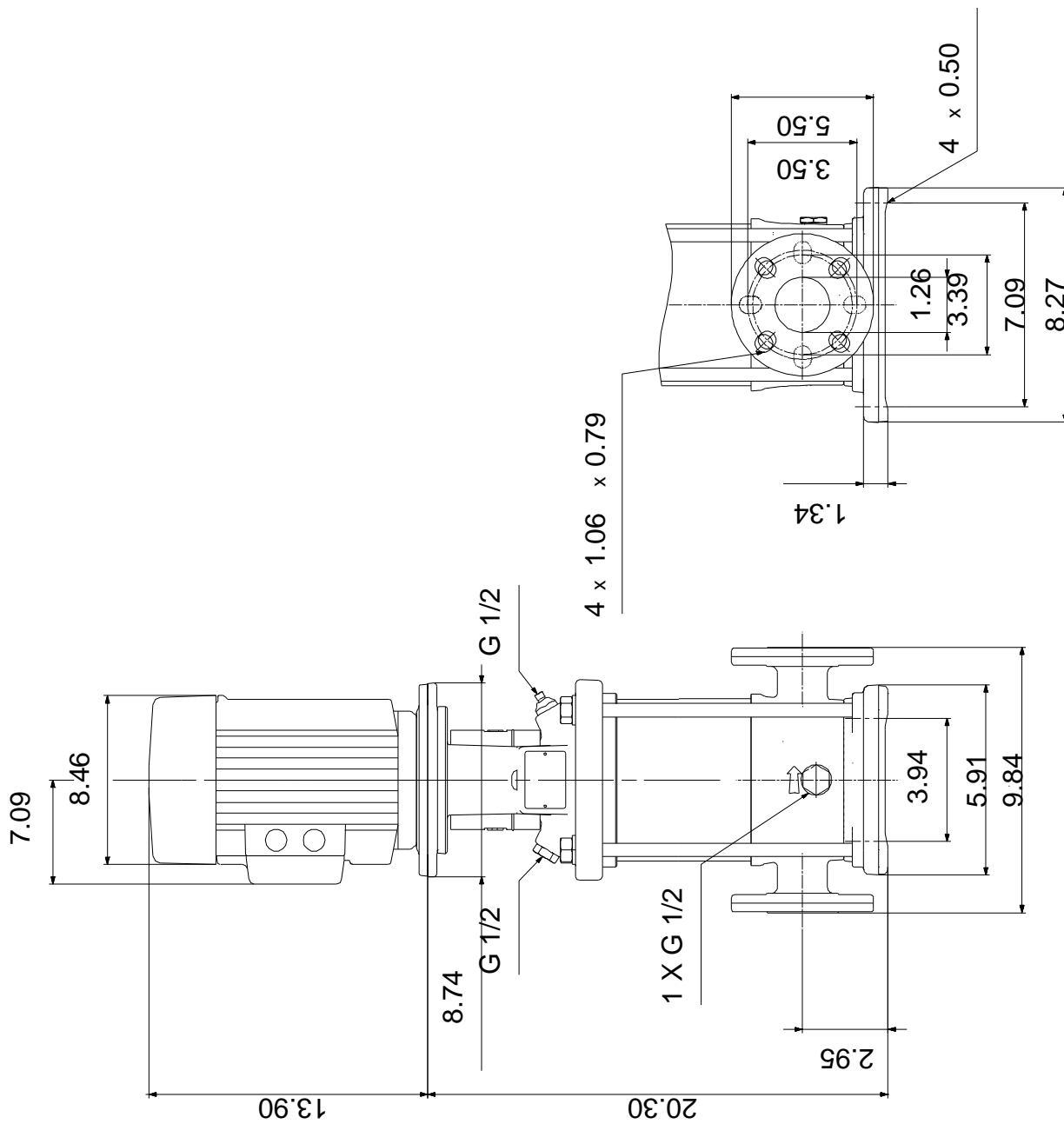
Phone:

Date:

5/30/2019

Description	Value
Motor efficiency at 3/4 load:	86.5 %
Motor efficiency at 1/2 load:	84.0 %
Number of poles:	2
Enclosure class (IEC 34-5):	55 Dust/Jetting
Insulation class (IEC 85):	F
Motor protection:	NONE
Motor Number:	85903977
Controls:	
Frequency converter:	NONE
Others:	
Net weight:	95.4 lb
Gross weight:	110 lb
Shipping volume:	8.26 ft ³
Country of origin:	US
Custom tariff no.:	8413.70.2040

96084032 CRN 3-13 A-FGJ-A-V-HQQV 60 Hz



96084032 CRN 3-13 A-FGJ-A-V-HQQV 60 Hz

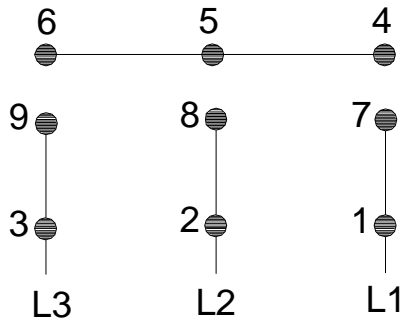


WARNING

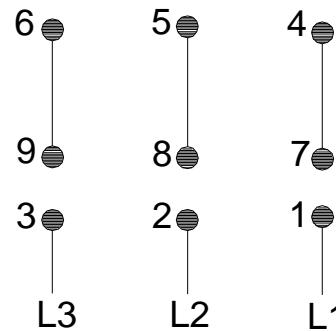
MOTOR MUST BE GROUNDED IN ACCORDANCE WITH THE NATIONAL ELECTRICAL CODE AND LOCAL CODES BY TRAINED PERSONNEL TO PREVENT SERIOUS ELECTRICAL SHOCKS.

TO SERVICE MOTOR, DISCONNECT POWER SOURCE FROM MOTOR AND ANY ACCESSORY DEVICES AND ALLOW MOTOR TO COME TO A COMPLETE STAND STILL.

LOW VOLTAGE 60Hz. 208-230V



HIGH VOLTAGE 60Hz: 460V 50Hz: 400V



96553852

INTERCHANGE ANY TWO LINE WIRES TO REVERSE ROTATION

THERMOSTAT LEADS

(WHEN PROVIDED)

