

PROJECT: _____	UNIT TAG: _____	QUANTITY: _____
REPRESENTATIVE: _____	TYPE OF SERVICE: _____	DATE: _____
ENGINEER: _____	SUBMITTED BY: _____	DATE: _____
CONTRACTOR: _____	APPROVED BY: _____	DATE: _____
	ORDER NO.: _____	DATE: _____

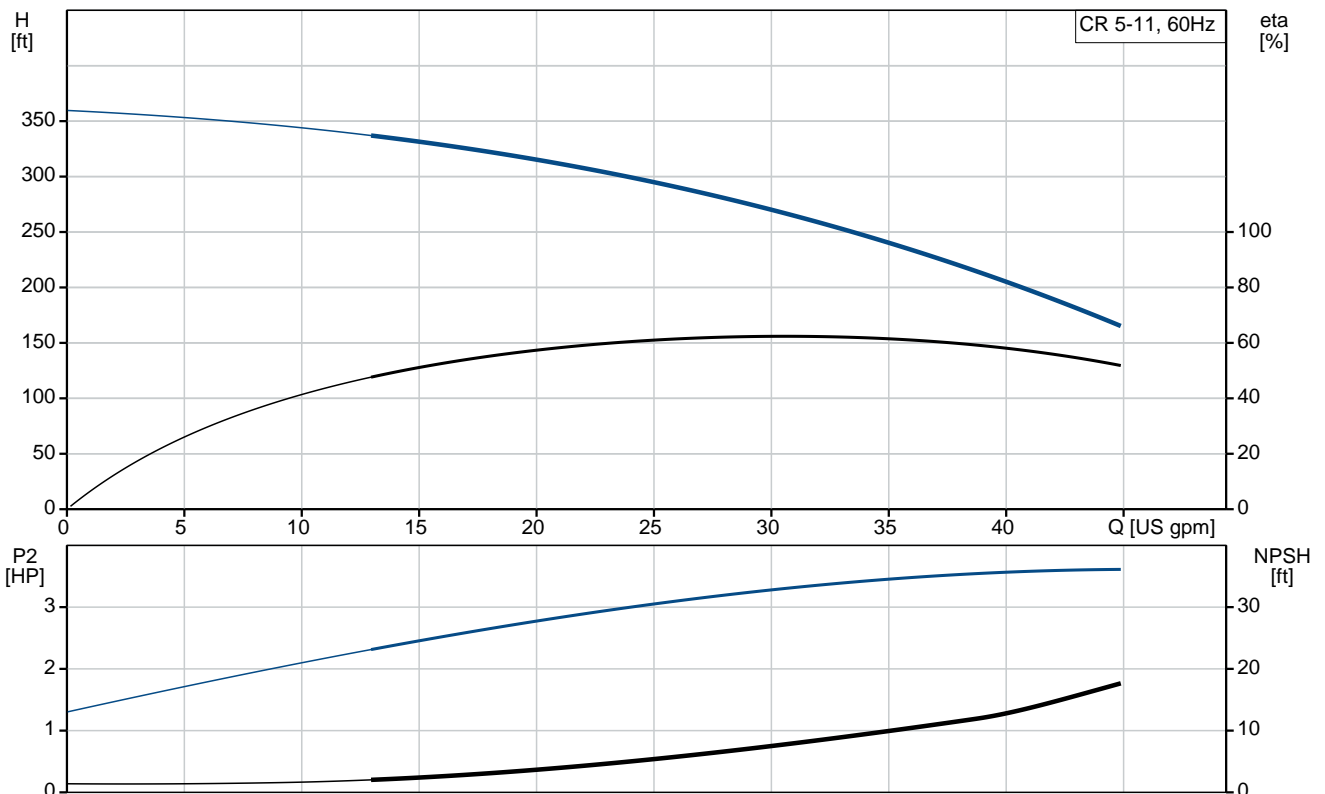
## CR 5-11A-B-A-E-HQQE

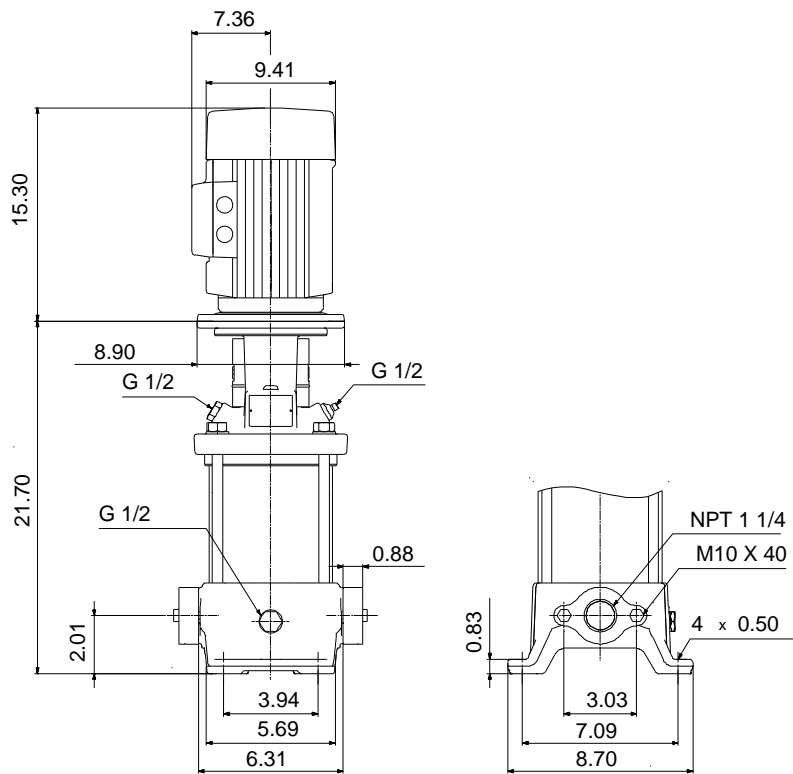


Vertical, multistage centrifugal pump with suction and discharge ports on the same level. The pump head and base are in cast iron. All other wetted parts are in stainless steel (EN 1.4301)(AISI 304)

Product photo could vary from the actual product


Conditions of Service	Pump Data	Motor Data
Flow: _____	Max pressure at stated temperature: 232 psi / 250 °F	Rated power - P2: 5 HP
Head: _____	Liquid temperature range: -4 .. 248 °F	Rated voltage: 208-230 V
Efficiency: _____	Maximum ambient temperature: 104 °F	Main frequency: 60 Hz
Liquid: Water	Approvals: CURUS,NSF61	Enclosure class: 54 Dust/Splashing
Temperature: 68 °F	Shaft seal: HQQE	Insulation class: F
NPSH required: ft	Product number: 96084114	Motor protection: NONE
Viscosity: _____		Motor type: Baldor
Specific Gravity: 1.000		





**Materials:**

Base:	Cast iron EN 1561 EN-GJL-200 ASTM A48-25B
Impeller:	Stainless steel AISI 304 EN 1.4301
Material code:	A
Code for rubber:	E

Count	Description
1	<p data-bbox="225 338 496 360"><b>CR 5-11A-B-A-E-HQQE</b></p> <div data-bbox="368 383 464 618" style="text-align: center;">  </div> <p data-bbox="225 663 491 685">Product No.: <a href="#">96084114</a></p> <p data-bbox="225 692 748 775">Vertical, non-self-priming, multistage, in-line, centrifugal pump for installation in pipe systems and mounting on a foundation.</p> <p data-bbox="225 808 702 837">The pump has the following characteristics:</p> <ul data-bbox="264 840 850 954" style="list-style-type: none"> <li>- Impellers and intermediate chambers are made of</li> <li>- The shaft seal has assembly length according to EN 12756.</li> <li>- Power transmission is via cast iron split coupling.</li> </ul> <p data-bbox="225 1016 600 1046">The motor is a 1-phase AC motor.</p> <p data-bbox="225 1077 325 1106">Controls:</p> <p data-bbox="225 1108 660 1137">Frequency converter:                 NONE</p> <p data-bbox="225 1167 309 1196"><b>Liquid:</b></p> <p data-bbox="225 1198 660 1227">Pumped liquid:                         Water</p> <p data-bbox="225 1229 715 1258">Liquid temperature range:         -4 .. 248 °F</p> <p data-bbox="225 1261 651 1290">Selected liquid temperature:       68 °F</p> <p data-bbox="225 1292 708 1321">Density:                                 62.29 lb/ft³</p> <p data-bbox="225 1350 347 1379"><b>Technical:</b></p> <p data-bbox="225 1382 695 1411">Rated pump speed:                    3468 rpm</p> <p data-bbox="225 1413 735 1442">Rated flow:                            30.4 US gpm</p> <p data-bbox="225 1444 676 1473">Rated head:                            264.8 ft</p> <p data-bbox="225 1476 676 1505">Pump orientation:                    Vertical</p> <p data-bbox="225 1507 660 1536">Shaft seal arrangement:            Single</p> <p data-bbox="225 1538 660 1568">Code for shaft seal:                 HQQE</p> <p data-bbox="225 1570 759 1599">Approvals on nameplate:           CURUS,NSF61</p> <p data-bbox="225 1601 788 1630">Curve tolerance:                     ISO9906:2012 3B</p> <p data-bbox="225 1659 341 1688"><b>Materials:</b></p> <p data-bbox="225 1691 831 1760">Base:                                    Cast iron EN 1561 EN-GJL-200 ASTM A48-25B</p> <p data-bbox="225 1762 751 1832">Impeller:                               Stainless steel EN 1.4301 AISI 304</p> <p data-bbox="225 1856 632 1886">Bearing:                                SIC</p> <p data-bbox="225 1915 363 1944"><b>Installation:</b></p> <p data-bbox="225 1946 663 1975">Maximum ambient temperature:   104 °F</p> <p data-bbox="225 1977 703 2007">Maximum operating pressure:     232.06 psi</p> <p data-bbox="225 2009 826 2078">Max pressure at stated temperature: 232 psi / 250 °F 232 psi / -4 °F</p> <p data-bbox="225 2080 743 2110">Type of connection:                 Oval / NPT(F)</p>



Company name:

Created by:

Phone:

Date:

5/6/2019

Count	Description
	Size of suction port: 1 1/4 inch
	Size of outlet port: 1 1/4 inch
	Pressure rating for pipe connection: PN 16
	Flange size for motor: 182TC
	<b>Electrical data:</b>
	Motor standard: NEMA
	Motor type: Baldor
	Rated power - P2: 5 HP
	Power (P2) required by pump: 5 HP
	Main frequency: 60 Hz
	Rated voltage: 1 x 208-230 V
	Service factor: 1.15
	Rated current: 24.0-22.0 A
	Rated speed: 3450 rpm
	Number of poles: 2
	Enclosure class (IEC 34-5): 54 Dust/Splashing
	Insulation class (IEC 85): F
	Motor Number: 85700012
	<b>Others:</b>
	Net weight: 148 lb
	Gross weight: 162 lb
	Shipping volume: 8.26 ft <sup>3</sup>
	Country of origin: US
	Custom tariff no.: 8413.70.2040



Company name:

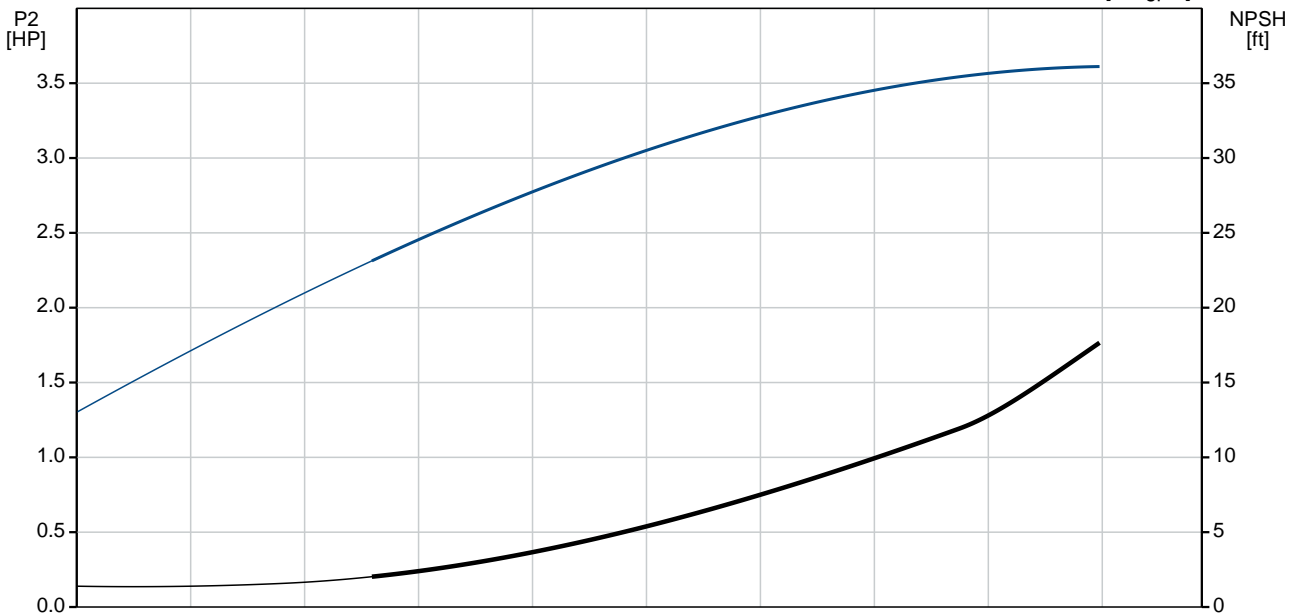
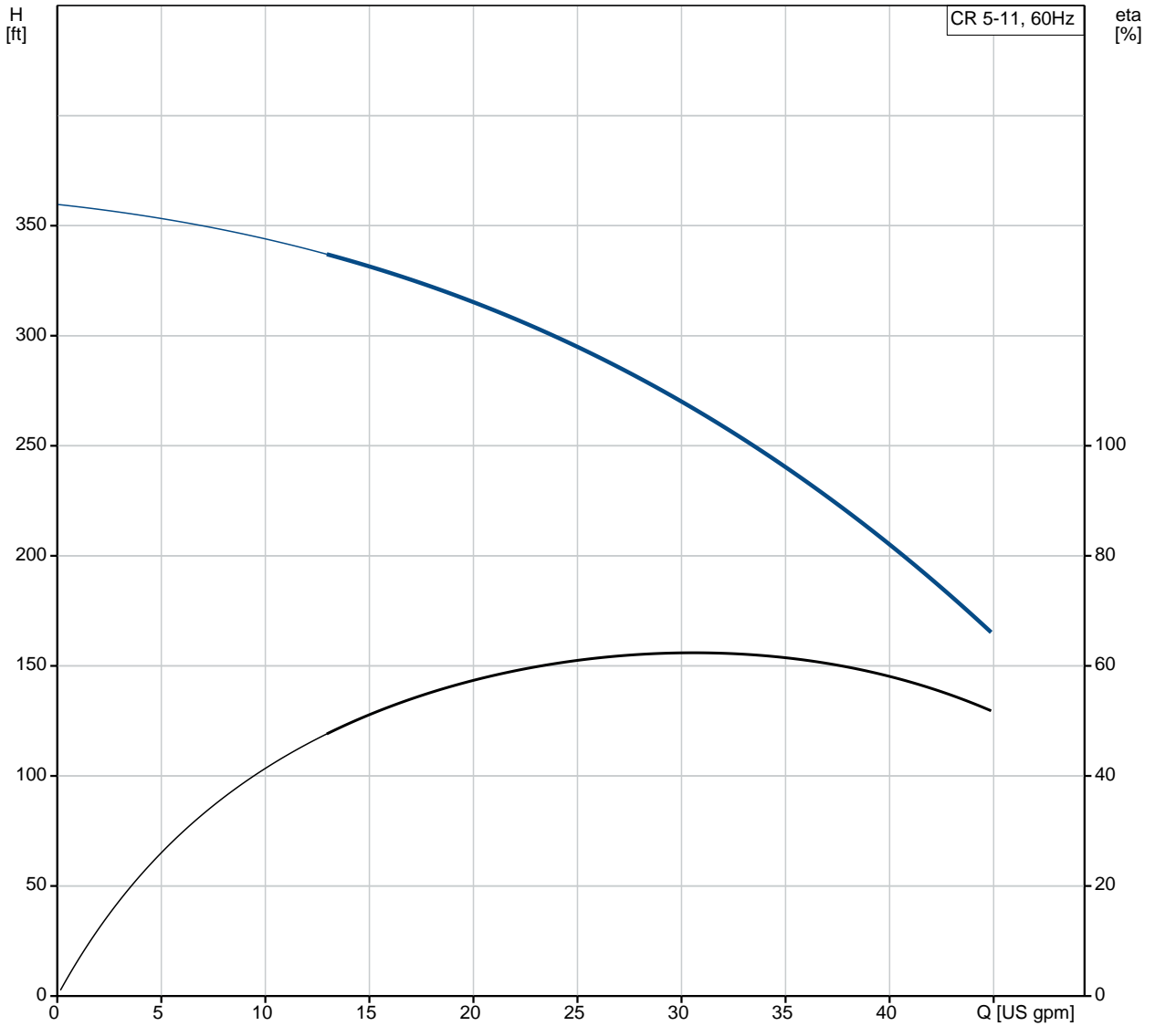
Created by:

Phone:

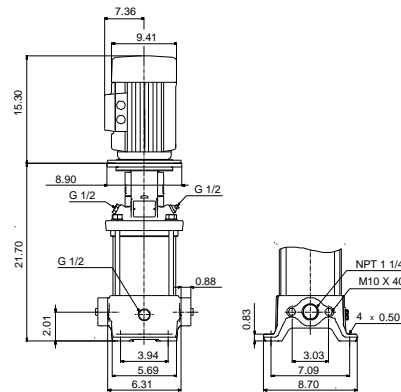
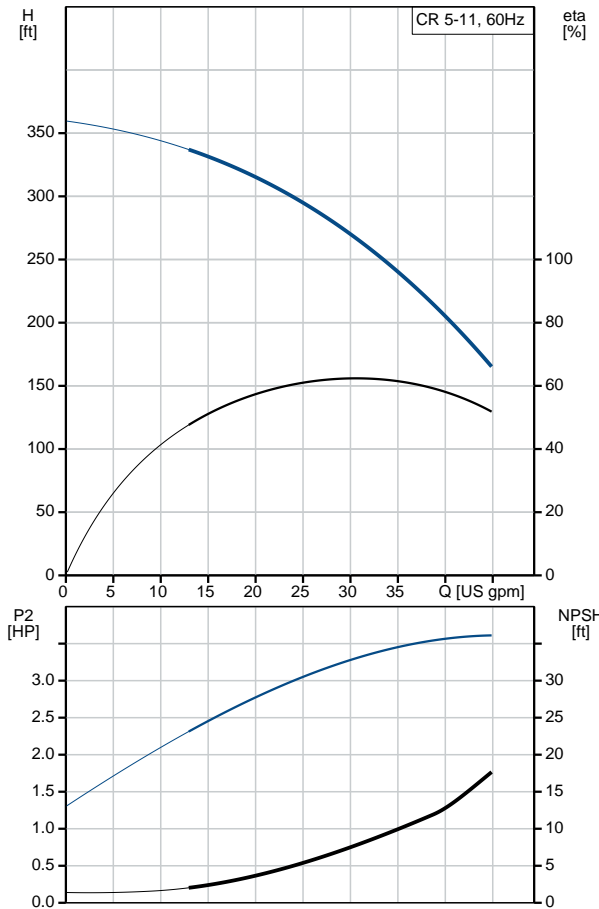
Date:

5/6/2019

### 96084114 CR 5-11A-B-A-E-HQQE 60 Hz



Description	Value
<b>General information:</b>	
Product name:	CR 5-11A-B-A-E-HQQE
Product No.:	96084114
EAN:	5700395189520
<b>Technical:</b>	
Rated pump speed:	3468 rpm
Rated flow:	30.4 US gpm
Rated head:	264.8 ft
Head max:	356.6 ft
Stages:	11
Impellers:	11
Number of reduced-diameter impellers:	0
Low NPSH:	N
Pump orientation:	Vertical
Shaft seal arrangement:	Single
Code for shaft seal:	HQQE
Approvals on nameplate:	CURUS,NSF61
Curve tolerance:	ISO9906:2012 3B
Pump version:	A
Model:	A
Cooling:	TEFC
<b>Materials:</b>	
Base:	Cast iron
	EN 1561 EN-GJL-200
	ASTM A48-25B
Impeller:	Stainless steel
	EN 1.4301
	AISI 304
Material code:	A
Code for rubber:	E
Bearing:	SIC
<b>Installation:</b>	
Maximum ambient temperature:	104 °F
Maximum operating pressure:	232.06 psi
Max pressure at stated temperature:	232 psi / 250 °F
	232 psi / -4 °F
Type of connection:	Oval / NPT(F)
Size of suction port:	1 1/4 inch
Size of outlet port:	1 1/4 inch
Pressure rating for pipe connection:	PN 16
Flange size for motor:	182TC
Connect code:	B
<b>Liquid:</b>	
Pumped liquid:	Water
Liquid temperature range:	-4 .. 248 °F
Selected liquid temperature:	68 °F
Density:	62.29 lb/ft <sup>3</sup>
<b>Electrical data:</b>	
Motor standard:	NEMA
Motor type:	Baldor
Rated power - P2:	5 HP
Power (P2) required by pump:	5 HP
Main frequency:	60 Hz
Rated voltage:	1 x 208-230 V
Service factor:	1.15
Rated current:	24.0-22.0 A
Load current:	27.0-25.0 A
Rated speed:	3450 rpm





Company name:

Created by:

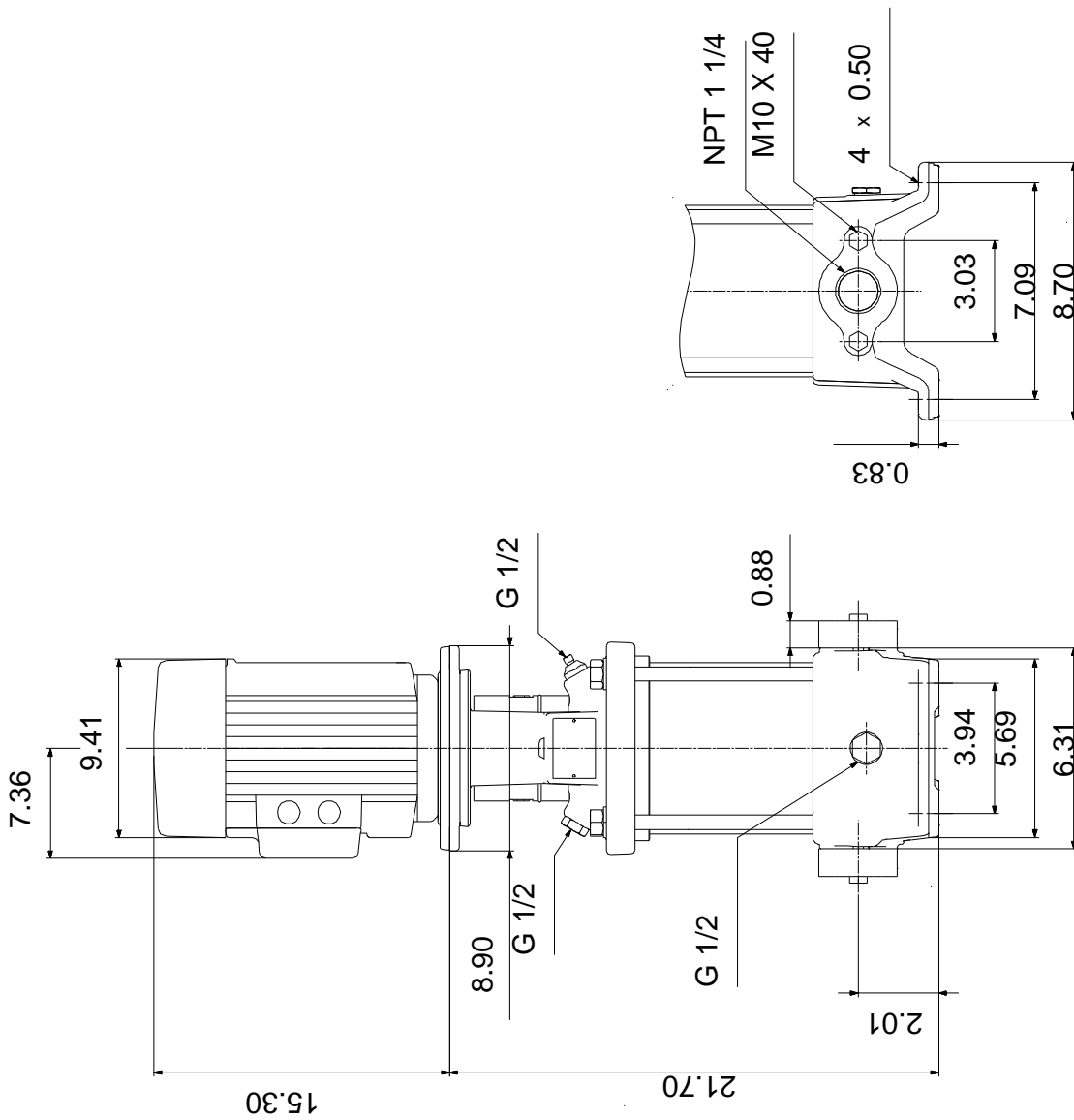
Phone:

Date:

5/6/2019

Description	Value
Number of poles:	2
Enclosure class (IEC 34-5):	54 Dust/Splashing
Insulation class (IEC 85):	F
Motor protection:	NONE
Motor Number:	85700012
<b>Controls:</b>	
Frequency converter:	NONE
<b>Others:</b>	
Net weight:	148 lb
Gross weight:	162 lb
Shipping volume:	8.26 ft <sup>3</sup>
Country of origin:	US
Custom tariff no.:	8413.70.2040

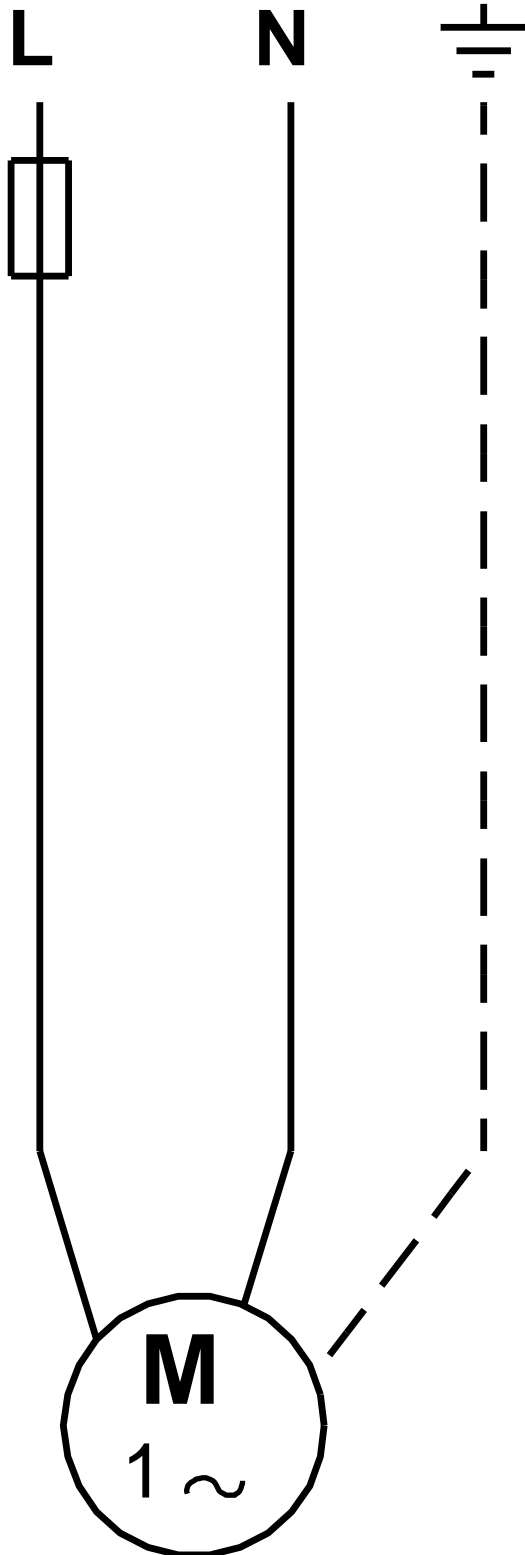
## 96084114 CR 5-11A-B-A-E-HQQE 60 Hz



Note! All units are in [in] unless otherwise stated.  
 Disclaimer: This simplified dimensional drawing does not show all details.



**96084114 CR 5-11A-B-A-E-HQQE 60 Hz**



All units are [in] unless otherwise presented.