

PROJECT: _____	UNIT TAG: _____	QUANTITY: _____
REPRESENTATIVE: _____	TYPE OF SERVICE: _____	DATE: _____
ENGINEER: _____	SUBMITTED BY: _____	DATE: _____
CONTRACTOR: _____	APPROVED BY: _____	DATE: _____
	ORDER NO.: _____	DATE: _____

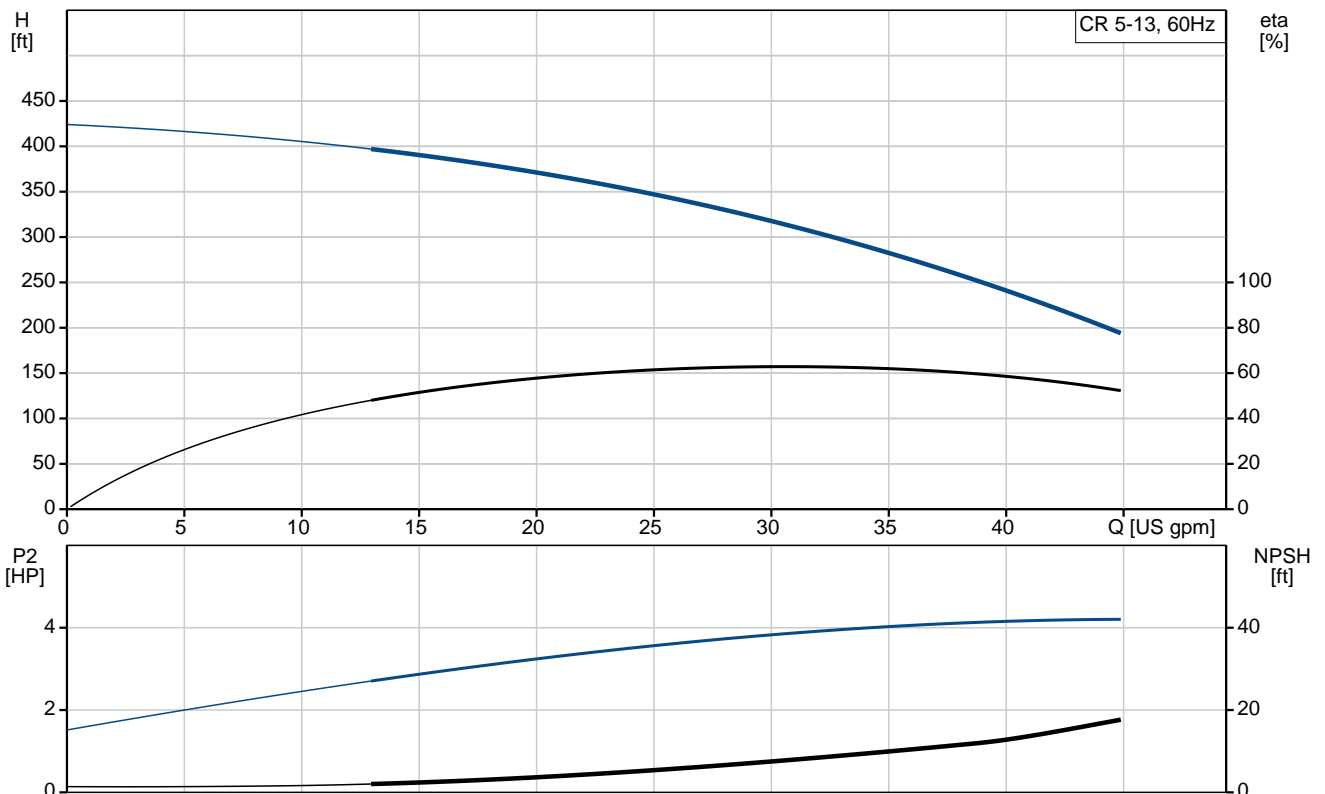
CR 5-13A-FGJ-A-E-HQQE

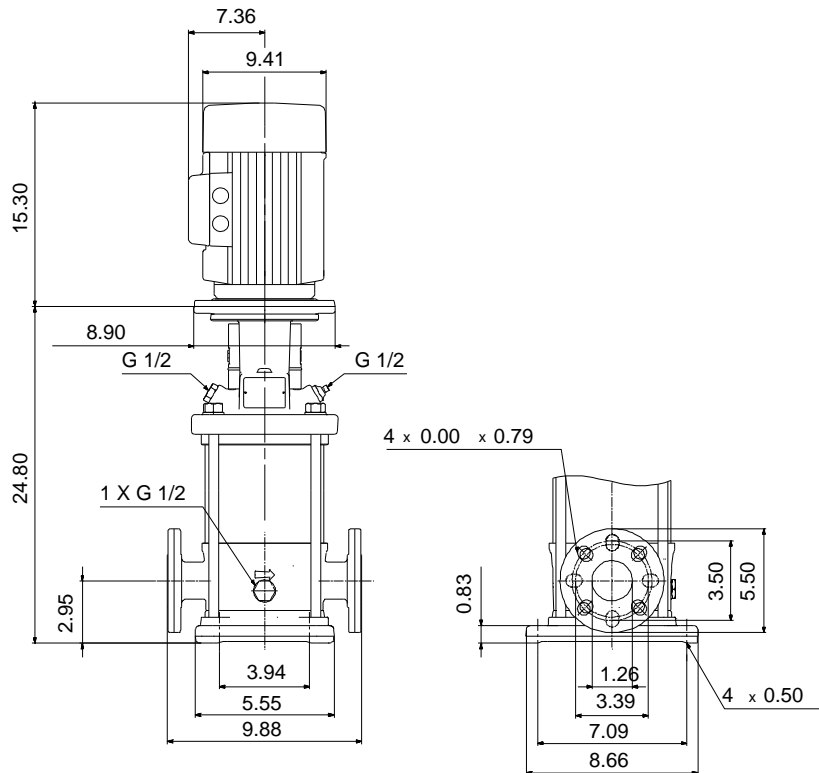


Vertical, multistage centrifugal pump with suction and discharge ports on the same level. The pump head and base are in cast iron. All other wetted parts are in stainless steel (EN 1.4301)(AISI 304)

Product photo could vary from the actual product

Conditions of Service	Pump Data	Motor Data
Flow: _____	Max pressure at stated temperature: 363 psi / 250 °F	Rated power - P2: 5 HP
Head: _____	Liquid temperature range: -4 .. 248 °F	Rated voltage: 208-230 V
Efficiency: _____	Maximum ambient temperature: 104 °F	Main frequency: 60 Hz
Liquid: Water	Approvals: CURUS,NSF61	Enclosure class: 54 Dust/Splashing
Temperature: 68 °F	Shaft seal: HQQE	Insulation class: F
NPSH required: ft	Product number: 96084272	Motor protection: NONE
Viscosity: _____		Motor type: Baldor
Specific Gravity: 1.000		






Materials:

Base: Cast iron
 EN 1561 EN-GJL-200
 ASTM A48-25B

Impeller: Stainless steel
 AISI 304
 EN 1.4301

Material code: A
 Code for rubber: E

Count	Description
1	<p data-bbox="225 342 526 365">CR 5-13A-FGJ-A-E-HQQE</p>  <p data-bbox="225 663 491 685">Product No.: 96084272</p> <p data-bbox="225 692 748 777">Vertical, non-self-priming, multistage, in-line, centrifugal pump for installation in pipe systems and mounting on a foundation.</p> <p data-bbox="225 810 702 835">The pump has the following characteristics:</p> <ul data-bbox="264 842 850 958" style="list-style-type: none"> - Impellers and intermediate chambers are made of - The shaft seal has assembly length according to EN 12756. - Power transmission is via cast iron split coupling. <p data-bbox="225 1016 600 1041">The motor is a 1-phase AC motor.</p> <p data-bbox="225 1077 327 1102">Controls:</p> <p data-bbox="225 1108 660 1133">Frequency converter: NONE</p> <p data-bbox="225 1169 311 1193">Liquid:</p> <p data-bbox="225 1200 713 1314">Pumped liquid: Water Liquid temperature range: -4 .. 248 °F Selected liquid temperature: 68 °F Density: 62.29 lb/ft³</p> <p data-bbox="225 1350 349 1375">Technical:</p> <p data-bbox="225 1382 788 1612">Rated pump speed: 3468 rpm Rated flow: 30.4 US gpm Rated head: 307.8 ft Pump orientation: Vertical Shaft seal arrangement: Single Code for shaft seal: HQQE Approvals on nameplate: CURUS,NSF61 Curve tolerance: ISO9906:2012 3B</p> <p data-bbox="225 1648 343 1673">Materials:</p> <p data-bbox="225 1680 831 1879">Base: Cast iron EN 1561 EN-GJL-200 ASTM A48-25B Impeller: Stainless steel EN 1.4301 AISI 304 Bearing: SIC</p> <p data-bbox="225 1915 365 1939">Installation:</p> <p data-bbox="225 1946 828 2054">Maximum ambient temperature: 104 °F Maximum operating pressure: 362.59 psi Max pressure at stated temperature: 363 psi / 250 °F 363 psi / -4 °F</p> <p data-bbox="225 2060 767 2085">Type of connection: DIN / ANSI / JIS</p>



Company name:

Created by:

Phone:

Date:

5/15/2019

Count	Description
	Size of inlet connection: DN 25/32
	Size of suction port: 1 1/4 inch
	Size of outlet connection: DN 25/32
	Size of outlet port: 1 1/4 inch
	Pressure rating for pipe connection: PN 25
	Flange rating inlet: 250 lb
	Flange size for motor: 182TC
	Electrical data:
	Motor standard: NEMA
	Motor type: Baldor
	Rated power - P2: 5 HP
	Power (P2) required by pump: 5 HP
	Main frequency: 60 Hz
	Rated voltage: 1 x 208-230 V
	Service factor: 1.15
	Rated current: 24.0-22.0 A
	Rated speed: 3450 rpm
	Number of poles: 2
	Enclosure class (IEC 34-5): 54 Dust/Splashing
	Insulation class (IEC 85): F
	Motor Number: 85700012
	Others:
	Net weight: 161 lb
	Gross weight: 178 lb
	Shipping volume: 10.1 ft ³
	Country of origin: US
	Custom tariff no.: 8413.70.2040



Company name:

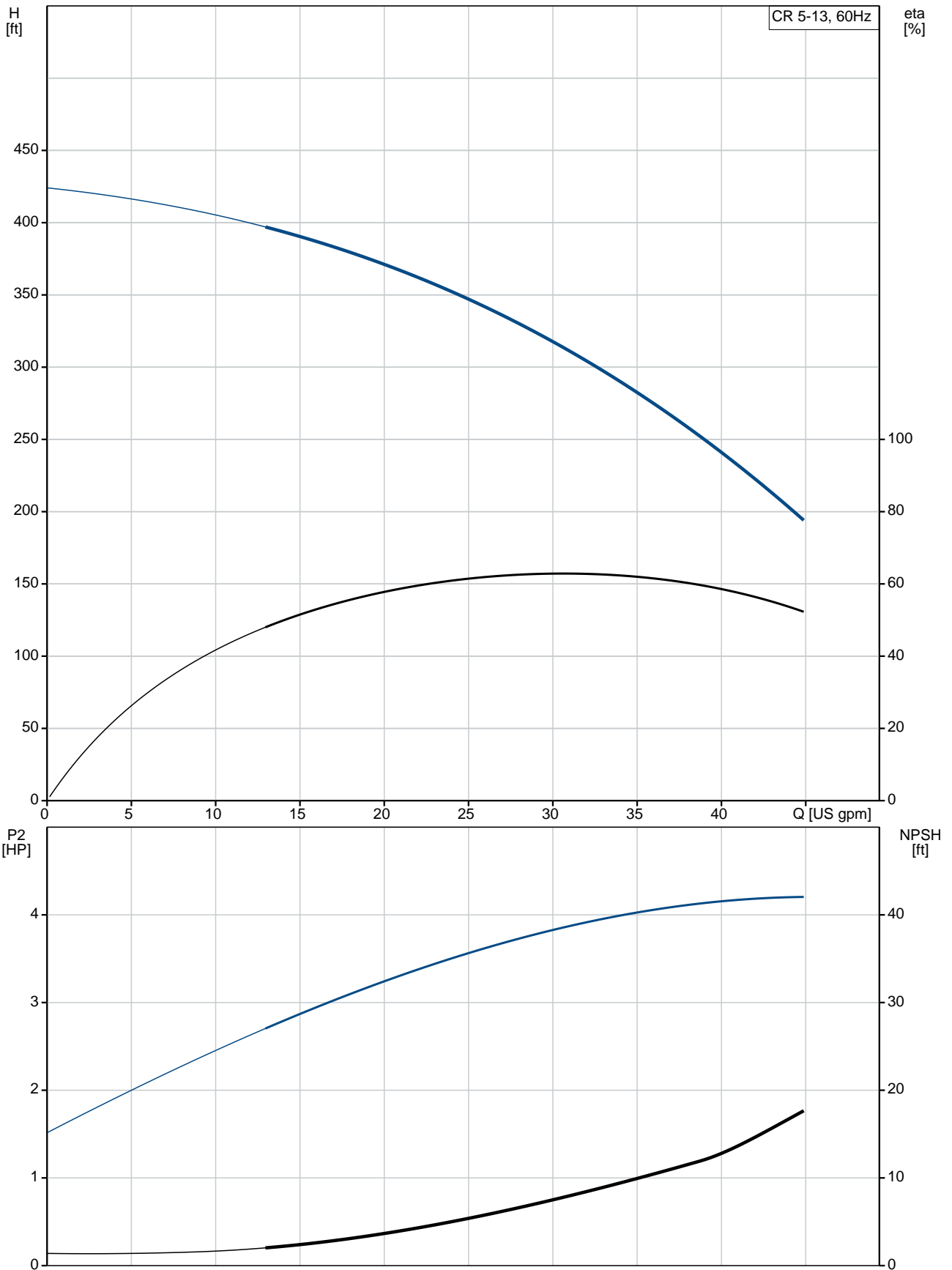
Created by:

Phone:

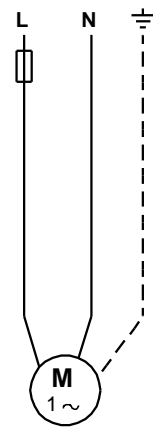
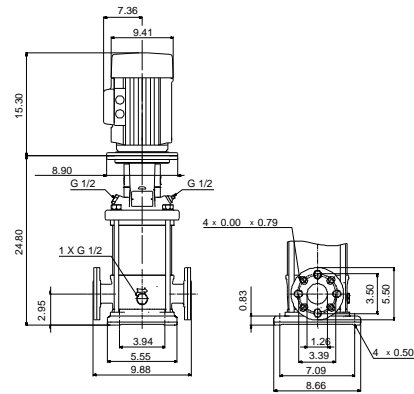
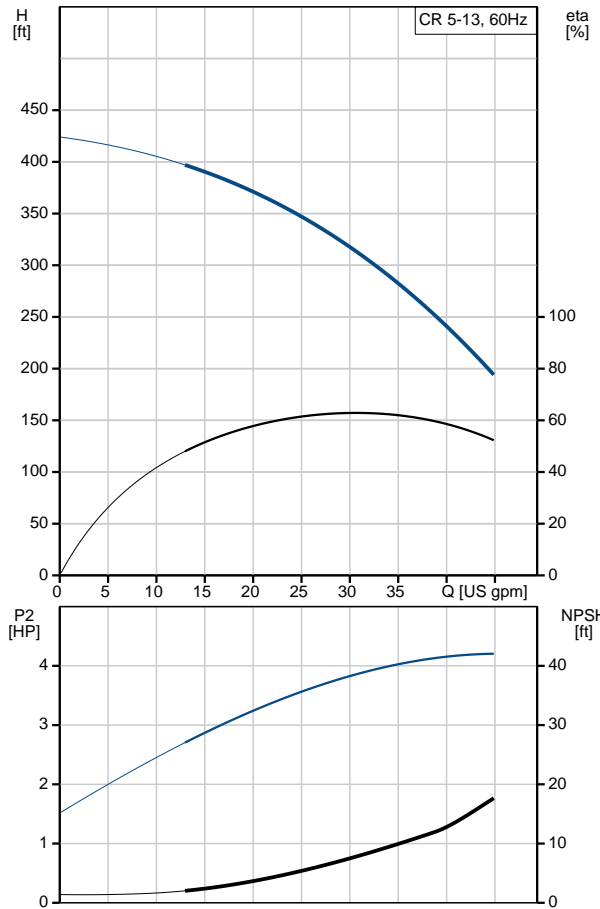
Date:

5/15/2019

96084272 CR 5-13A-FGJ-A-E-HQQE 60 Hz



Description	Value
General information:	
Product name:	CR 5-13A-FGJ-A-E-HQQE
Product No.:	96084272
EAN:	5700395191103
Technical:	
Rated pump speed:	3468 rpm
Rated flow:	30.4 US gpm
Rated head:	307.8 ft
Head max:	417.7 ft
Stages:	13
Impellers:	13
Number of reduced-diameter impellers:	0
Low NPSH:	N
Pump orientation:	Vertical
Shaft seal arrangement:	Single
Code for shaft seal:	HQQE
Approvals on nameplate:	CURUS,NSF61
Curve tolerance:	ISO9906:2012 3B
Pump version:	A
Model:	A
Cooling:	TEFC
Materials:	
Base:	Cast iron EN 1561 EN-GJL-200 ASTM A48-25B
Impeller:	Stainless steel EN 1.4301 AISI 304
Material code:	A
Code for rubber:	E
Bearing:	SIC
Installation:	
Maximum ambient temperature:	104 °F
Maximum operating pressure:	362.59 psi
Max pressure at stated temperature:	363 psi / -4 °F
Type of connection:	DIN / ANSI / JIS
Size of inlet connection:	DN 25/32
Size of suction port:	1 1/4 inch
Size of outlet connection:	DN 25/32
Size of outlet port:	1 1/4 inch
Pressure rating for pipe connection:	PN 25
Flange rating inlet:	250 lb
Flange size for motor:	182TC
Connect code:	FGJ
Liquid:	
Pumped liquid:	Water
Liquid temperature range:	-4 .. 248 °F
Selected liquid temperature:	68 °F
Density:	62.29 lb/ft³
Electrical data:	
Motor standard:	NEMA
Motor type:	Baldor
Rated power - P2:	5 HP
Power (P2) required by pump:	5 HP
Main frequency:	60 Hz
Rated voltage:	1 x 208-230 V





Company name:

Created by:

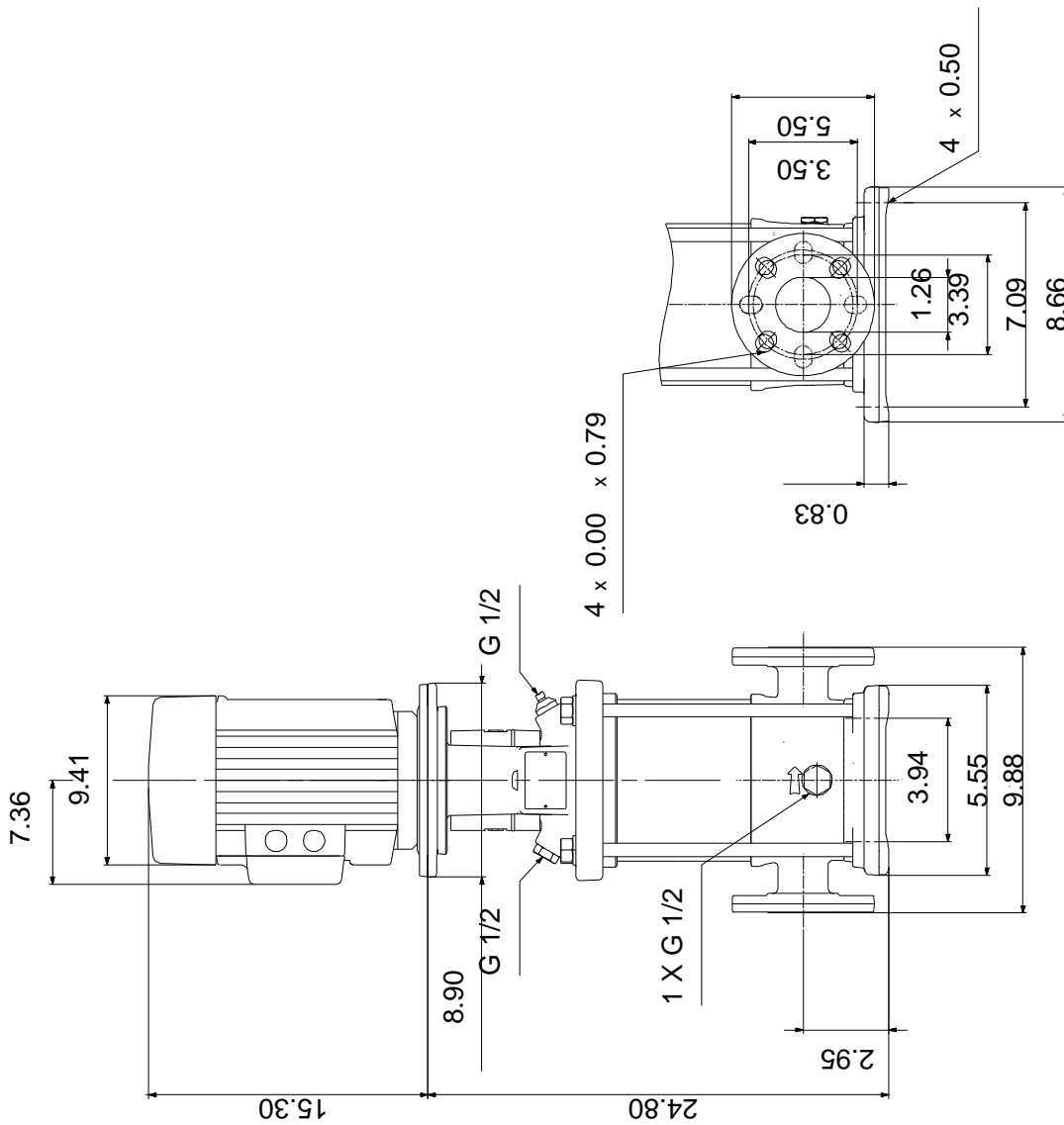
Phone:

Date:

5/15/2019

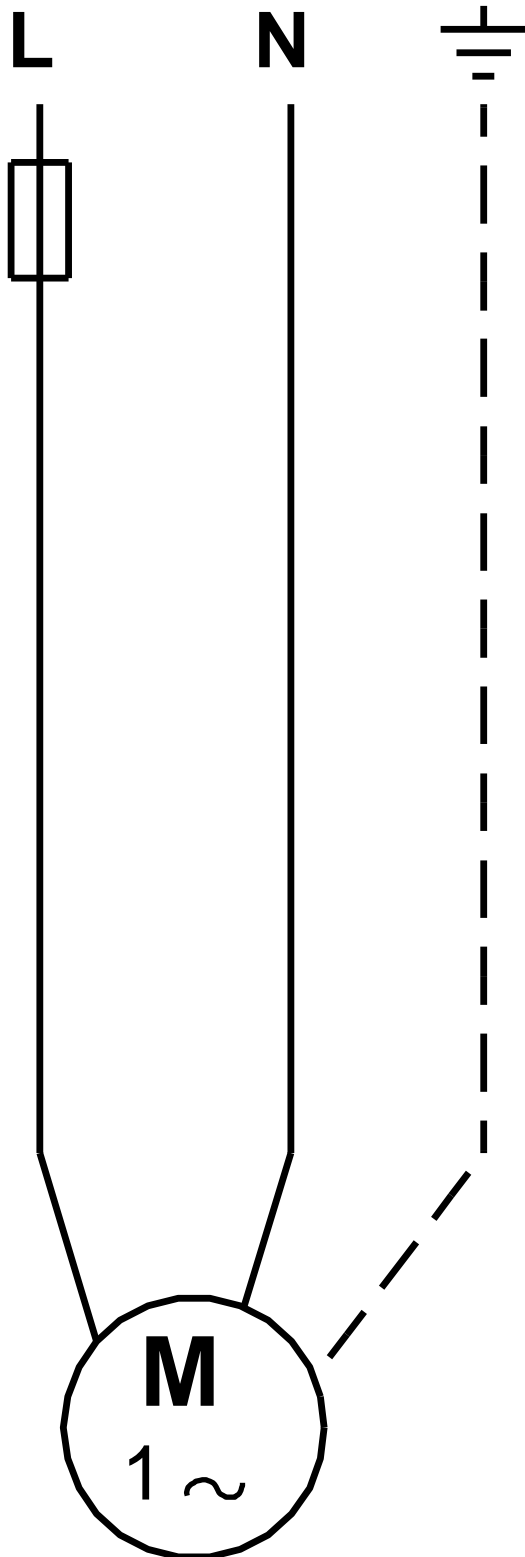
Description	Value
Service factor:	1.15
Rated current:	24.0-22.0 A
Load current:	27.0-25.0 A
Rated speed:	3450 rpm
Number of poles:	2
Enclosure class (IEC 34-5):	54 Dust/Splashing
Insulation class (IEC 85):	F
Motor protection:	NONE
Motor Number:	85700012
Controls:	
Frequency converter:	NONE
Others:	
Net weight:	161 lb
Gross weight:	178 lb
Shipping volume:	10.1 ft ³
Country of origin:	US
Custom tariff no.:	8413.70.2040

96084272 CR 5-13A-FGJ-A-E-HQQE 60 Hz



Note! All units are in [in] unless otherwise stated.
Disclaimer: This simplified dimensional drawing does not show all details.

96084272 CR 5-13A-FGJ-A-E-HQQE 60 Hz



All units are [in] unless otherwise presented.