

PROJECT: _____	UNIT TAG: _____	QUANTITY: _____
REPRESENTATIVE: _____	TYPE OF SERVICE: _____	DATE: _____
ENGINEER: _____	SUBMITTED BY: _____	DATE: _____
CONTRACTOR: _____	APPROVED BY: _____	DATE: _____
	ORDER NO.: _____	DATE: _____

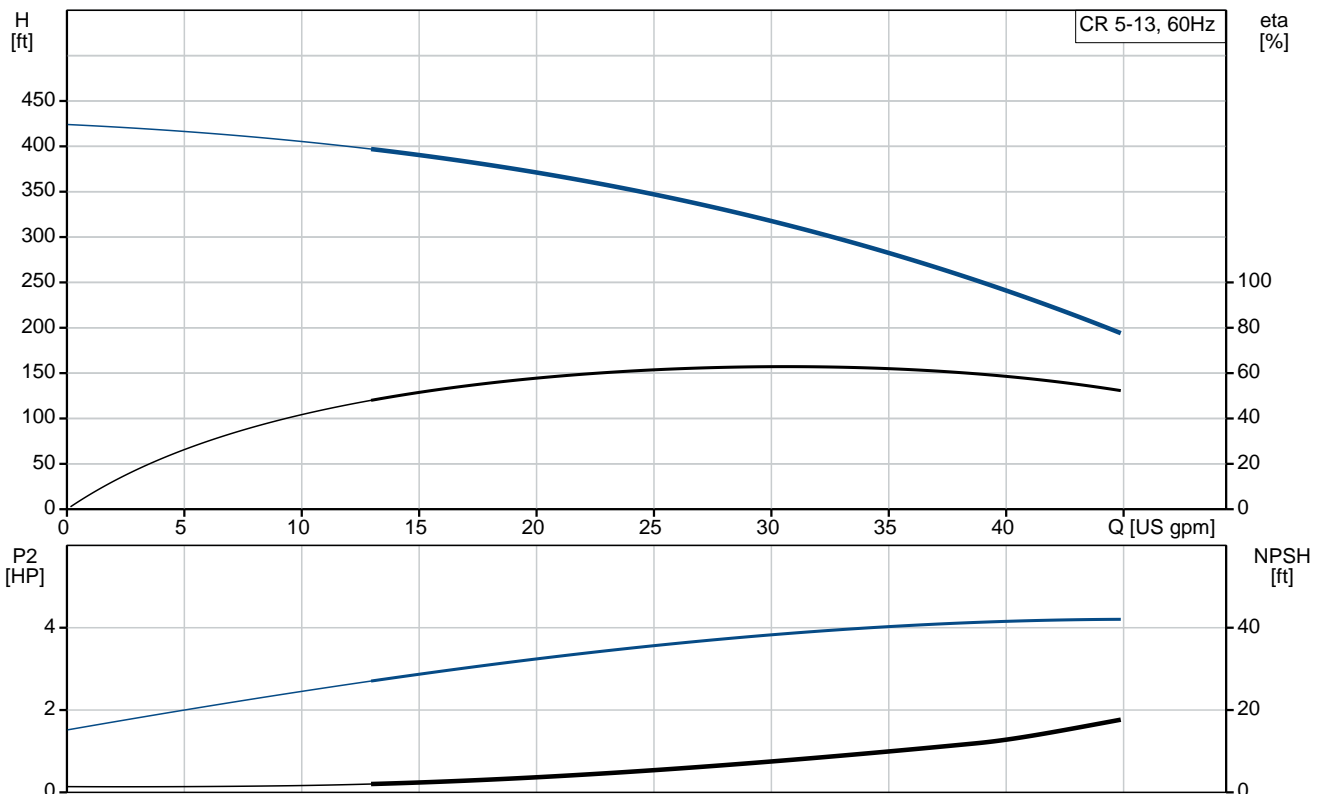


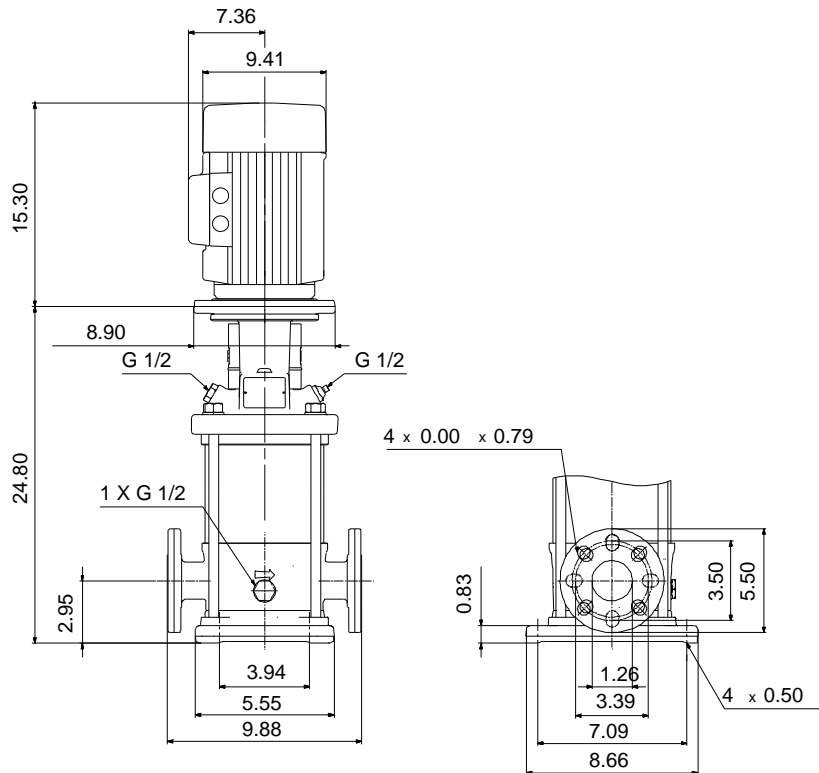
CR 5-13A-FGJ-A-V-HQQV

Vertical, multistage centrifugal pump with suction and discharge ports on the same level. The pump head and base are in cast iron. All other wetted parts are in stainless steel (EN 1.4301)(AISI 304)

Product photo could vary from the actual product

Conditions of Service	Pump Data	Motor Data
Flow: _____	Max pressure at stated temperature: 363 psi / 194 °F	Rated power - P2: 5 HP
Head: _____	Liquid temperature range: -4 .. 194 °F	Rated voltage: 208-230 V
Efficiency: _____	Maximum ambient temperature: 104 °F	Main frequency: 60 Hz
Liquid: Water	Approvals: CURUS	Enclosure class: 54 Dust/Splashing
Temperature: 68 °F	Shaft seal: HQQV	Insulation class: F
NPSH required: ft	Product number: 96084367	Motor protection: NONE
Viscosity: _____		Motor type: Baldor
Specific Gravity: 1.000		





Materials:

Base:	Cast iron EN 1561 EN-GJL-200 ASTM A48-25B
Impeller:	Stainless steel AISI 304 EN 1.4301
Material code:	A
Code for rubber:	V

Count	Description
1	<p data-bbox="225 338 526 367">CR 5-13A-FGJ-A-V-HQQV</p> <div data-bbox="256 378 574 790">  </div> <p data-bbox="616 768 1072 795">Product photo could vary from the actual product</p> <p data-bbox="225 799 491 828">Product No.: 96084367</p> <p data-bbox="225 831 750 918">Vertical, non-self-priming, multistage, in-line, centrifugal pump for installation in pipe systems and mounting on a foundation.</p> <p data-bbox="225 949 703 978">The pump has the following characteristics:</p> <ul data-bbox="261 981 850 1039" style="list-style-type: none"> - Impellers and intermediate chambers are made of - The shaft seal has assembly length <p data-bbox="225 1039 485 1068">according to EN 12756.</p> <ul data-bbox="261 1068 735 1126" style="list-style-type: none"> - Power transmission is via cast iron split coupling. <p data-bbox="225 1158 600 1187">The motor is a 1-phase AC motor.</p> <p data-bbox="225 1218 328 1247">Controls:</p> <p data-bbox="225 1247 662 1276">Frequency converter: NONE</p> <p data-bbox="225 1305 312 1335">Liquid:</p> <p data-bbox="225 1335 659 1364">Pumped liquid: Water</p> <p data-bbox="225 1364 715 1393">Liquid temperature range: -4 .. 194 °F</p> <p data-bbox="225 1393 651 1422">Selected liquid temperature: 68 °F</p> <p data-bbox="225 1422 710 1451">Density: 62.29 lb/ft³</p> <p data-bbox="225 1482 352 1512">Technical:</p> <p data-bbox="225 1512 697 1541">Rated pump speed: 3468 rpm</p> <p data-bbox="225 1541 735 1570">Rated flow: 30.4 US gpm</p> <p data-bbox="225 1570 676 1599">Rated head: 307.8 ft</p> <p data-bbox="225 1599 675 1628">Pump orientation: Vertical</p> <p data-bbox="225 1628 660 1657">Shaft seal arrangement: Single</p> <p data-bbox="225 1657 665 1686">Code for shaft seal: HQQV</p> <p data-bbox="225 1686 679 1715">Approvals on nameplate: CURUS</p> <p data-bbox="225 1715 788 1744">Curve tolerance: ISO9906:2012 3B</p> <p data-bbox="225 1776 344 1805">Materials:</p> <p data-bbox="225 1805 831 1897">Base: Cast iron EN 1561 EN-GJL-200 ASTM A48-25B</p> <p data-bbox="225 1897 751 1989">Impeller: Stainless steel EN 1.4301 AISI 304</p> <p data-bbox="225 1989 633 2018">Bearing: SIC</p> <p data-bbox="225 2049 368 2078">Installation:</p> <p data-bbox="225 2078 665 2107">Maximum ambient temperature: 104 °F</p>



Company name:

Created by:

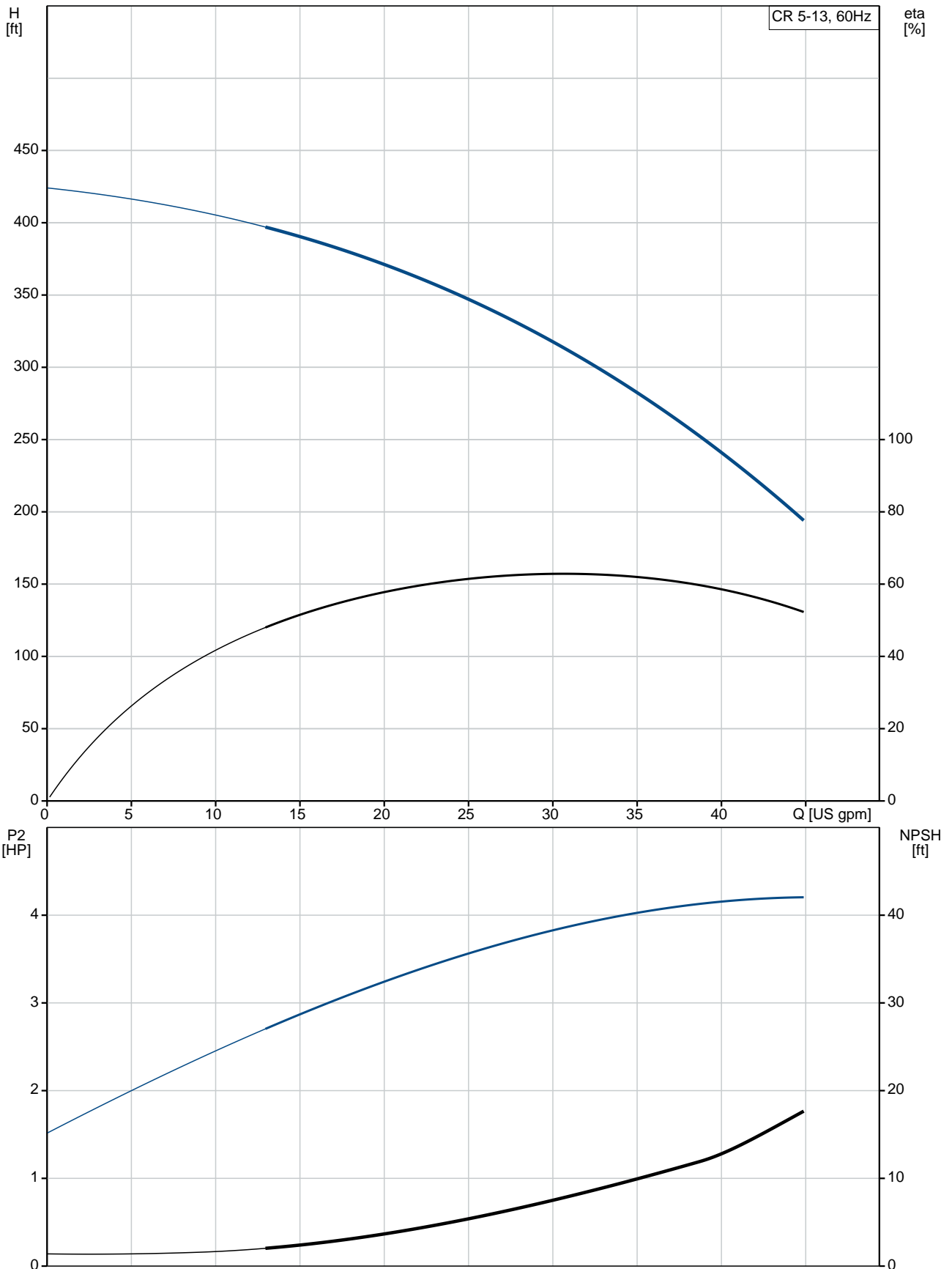
Phone:

Date:

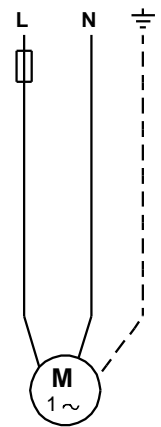
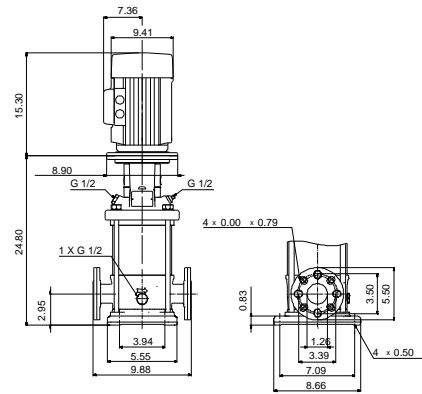
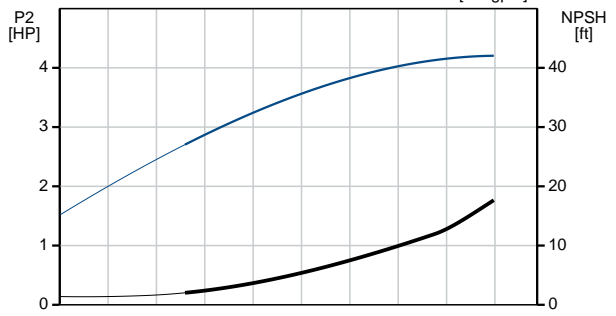
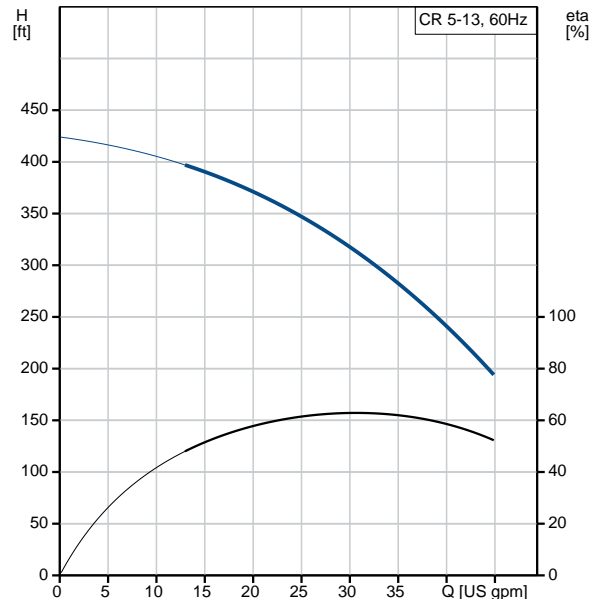
5/15/2019

Count	Description
	Maximum operating pressure: 362.59 psi Max pressure at stated temperature: 363 psi / 194 °F 363 psi / -4 °F
	Type of connection: DIN / ANSI / JIS
	Size of inlet connection: DN 25/32
	Size of suction port: 1 1/4 inch
	Size of outlet connection: DN 25/32
	Size of outlet port: 1 1/4 inch
	Pressure rating for pipe connection: PN 25
	Flange rating inlet: 250 lb
	Flange size for motor: 182TC
	Electrical data:
	Motor standard: NEMA
	Motor type: Baldor
	Rated power - P2: 5 HP
	Power (P2) required by pump: 5 HP
	Main frequency: 60 Hz
	Rated voltage: 1 x 208-230 V
	Service factor: 1.15
	Rated current: 24.0-22.0 A
	Rated speed: 3450 rpm
	Number of poles: 2
	Enclosure class (IEC 34-5): 54 Dust/Splashing
	Insulation class (IEC 85): F
	Motor Number: 85700012
	Others:
	Net weight: 161 lb
	Gross weight: 178 lb
	Shipping volume: 10.1 ft ³
	Country of origin: US
	Custom tariff no.: 8413.70.2040

96084367 CR 5-13A-FGJ-A-V-HQQV 60 Hz



Description	Value
General information:	
Product name:	CR 5-13A-FGJ-A-V-HQQV
Product No.:	96084367
EAN:	5700395192056
Technical:	
Rated pump speed:	3468 rpm
Rated flow:	30.4 US gpm
Rated head:	307.8 ft
Head max:	417.7 ft
Stages:	13
Impellers:	13
Number of reduced-diameter impellers:	0
Low NPSH:	N
Pump orientation:	Vertical
Shaft seal arrangement:	Single
Code for shaft seal:	HQQV
Approvals on nameplate:	CURUS
Curve tolerance:	ISO9906:2012 3B
Pump version:	A
Model:	A
Cooling:	TEFC
Materials:	
Base:	Cast iron
	EN 1561 EN-GJL-200
	ASTM A48-25B
Impeller:	Stainless steel
	EN 1.4301
	AISI 304
Material code:	A
Code for rubber:	V
Bearing:	SIC
Installation:	
Maximum ambient temperature:	104 °F
Maximum operating pressure:	362.59 psi
Max pressure at stated temperature:	363 psi / -4 °F
Type of connection:	DIN / ANSI / JIS
Size of inlet connection:	DN 25/32
Size of suction port:	1 1/4 inch
Size of outlet connection:	DN 25/32
Size of outlet port:	1 1/4 inch
Pressure rating for pipe connection:	PN 25
Flange rating inlet:	250 lb
Flange size for motor:	182TC
Connect code:	FGJ
Liquid:	
Pumped liquid:	Water
Liquid temperature range:	-4 .. 194 °F
Selected liquid temperature:	68 °F
Density:	62.29 lb/ft³
Electrical data:	
Motor standard:	NEMA
Motor type:	Baldor
Rated power - P2:	5 HP
Power (P2) required by pump:	5 HP
Main frequency:	60 Hz
Rated voltage:	1 x 208-230 V





Company name:

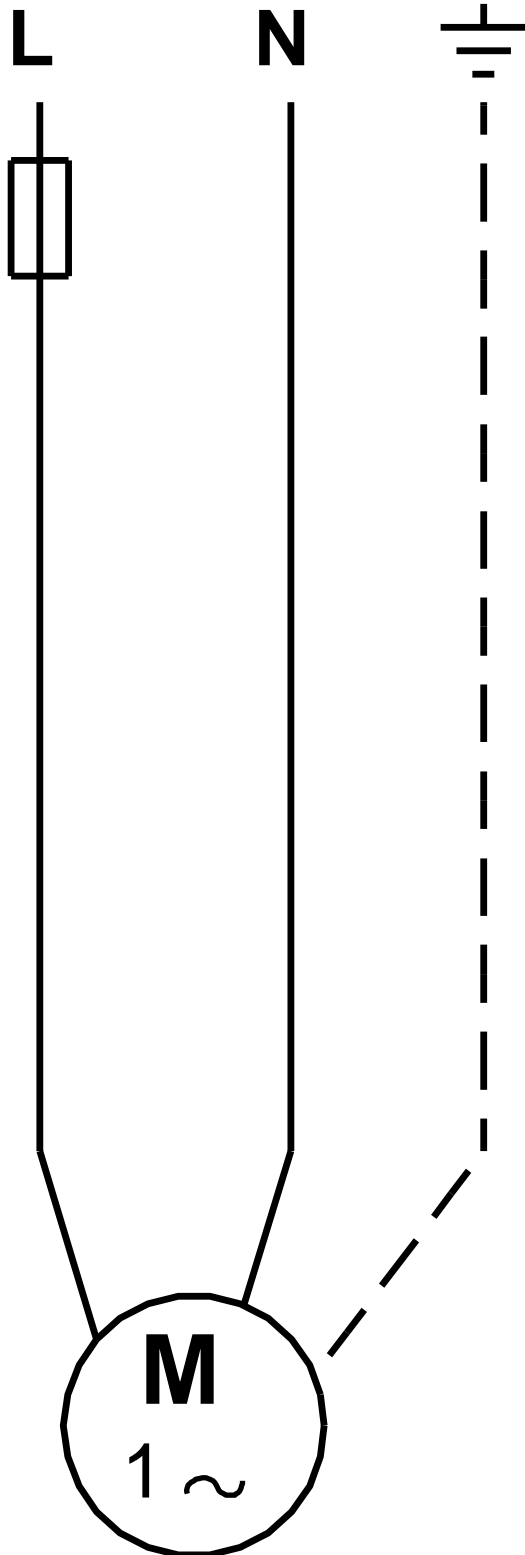
Created by:

Phone:

Date: 5/15/2019

Description	Value
Service factor:	1.15
Rated current:	24.0-22.0 A
Load current:	27.0-25.0 A
Rated speed:	3450 rpm
Number of poles:	2
Enclosure class (IEC 34-5):	54 Dust/Splashing
Insulation class (IEC 85):	F
Motor protection:	NONE
Motor Number:	85700012
Controls:	
Frequency converter:	NONE
Others:	
Net weight:	161 lb
Gross weight:	178 lb
Shipping volume:	10.1 ft ³
Country of origin:	US
Custom tariff no.:	8413.70.2040

96084367 CR 5-13A-FGJ-A-V-HQQV 60 Hz



All units are [in] unless otherwise presented.