

PROJECT: _____	UNIT TAG: _____	QUANTITY: _____
REPRESENTATIVE: _____	TYPE OF SERVICE: _____	DATE: _____
ENGINEER: _____	SUBMITTED BY: _____	DATE: _____
CONTRACTOR: _____	APPROVED BY: _____	DATE: _____
	ORDER NO.: _____	DATE: _____

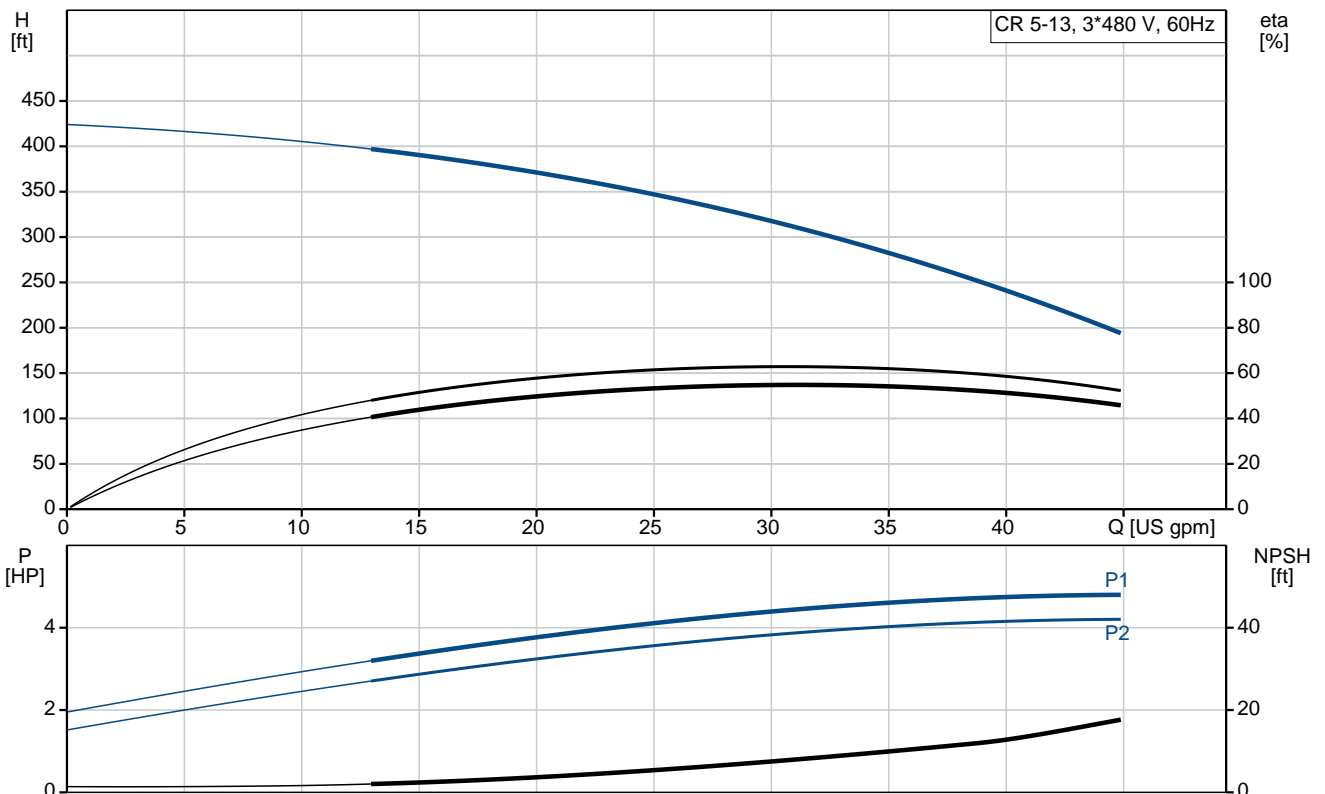


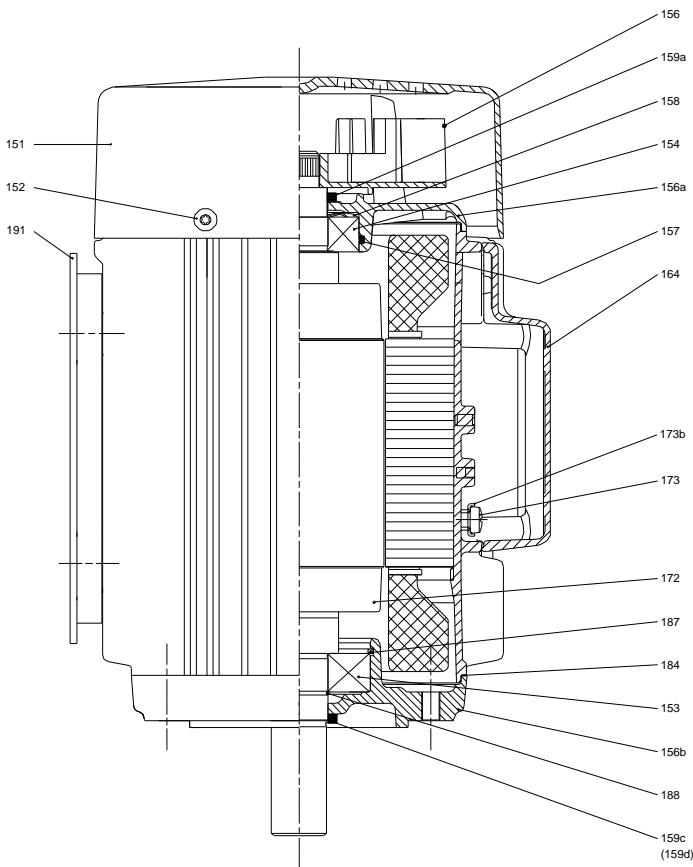
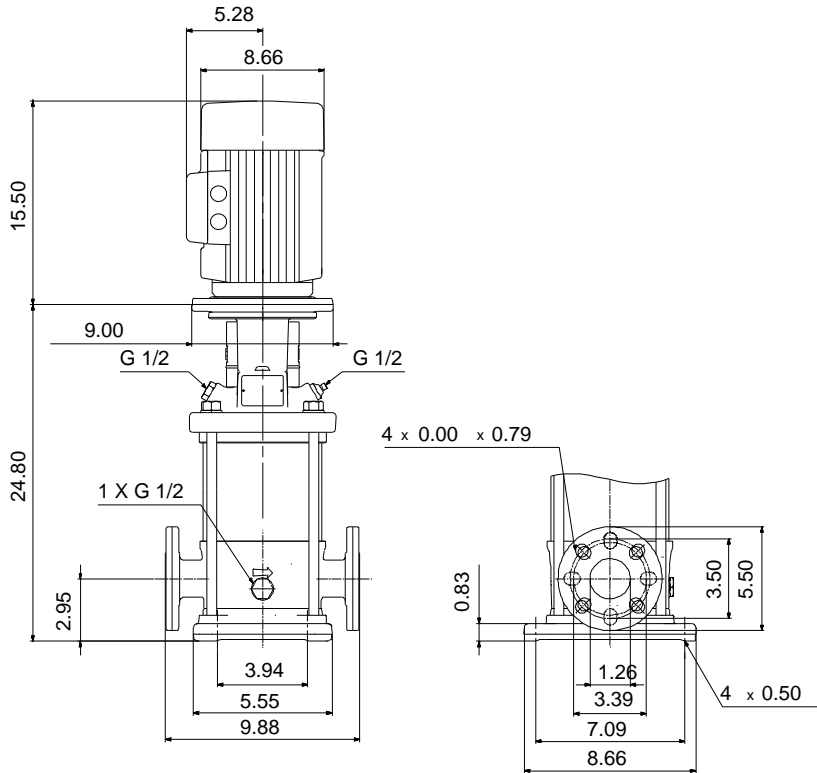
### CR 5-13A-FGJ-A-V-HQQV

Vertical, multistage centrifugal pump with suction and discharge ports on the same level. The pump head and base are in cast iron. All other wetted parts are in stainless steel (EN 1.4301)(AISI 304)

Product photo could vary from the actual product


Conditions of Service	Pump Data	Motor Data
Flow: _____	Max pressure at stated temperature: 363 psi / 194 °F	Rated power - P2: 5 HP
Head: _____	Liquid temperature range: -4 .. 194 °F	Rated voltage: 208-230YY/460Y V
Efficiency: _____	Maximum ambient temperature: 140 °F	Main frequency: 60 Hz
Liquid: Water	Approvals: CURUS	Enclosure class: 55 Dust/Jetting
Temperature: 68 °F	Shaft seal: HQQV	Insulation class: F
NPSH required: ft	Product number: 96084368	Motor protection: PTC
Viscosity: _____		Motor type: 112CA
Specific Gravity: 1.000		Motor_efficiency: 88.5 %





**Materials:**

- Base: Cast iron  
EN 1561 EN-GJL-200  
ASTM A48-25B
- Impeller: Stainless steel  
AISI 304  
EN 1.4301
- Material code: A
- Code for rubber: V

Count	Description
1	<p data-bbox="225 338 526 360"><b>CR 5-13A-FGJ-A-V-HQQV</b></p>  <p data-bbox="225 663 491 685">Product No.: <a href="#">96084368</a></p> <p data-bbox="225 692 750 775">Vertical, non-self-priming, multistage, in-line, centrifugal pump for installation in pipe systems and mounting on a foundation.</p> <p data-bbox="225 808 702 835">The pump has the following characteristics:</p> <ul data-bbox="264 840 850 954" style="list-style-type: none"> <li>- Impellers and intermediate chambers are made of</li> <li>- The shaft seal has assembly length according to EN 12756.</li> <li>- Power transmission is via cast iron split coupling.</li> </ul> <p data-bbox="225 1016 600 1043">The motor is a 3-phase AC motor.</p> <p data-bbox="225 1077 327 1104">Controls:</p> <p data-bbox="225 1108 662 1135">Frequency converter: NONE</p> <p data-bbox="225 1167 311 1193"><b>Liquid:</b></p> <p data-bbox="225 1198 659 1225">Pumped liquid: Water</p> <p data-bbox="225 1229 715 1256">Liquid temperature range: -4 .. 194 °F</p> <p data-bbox="225 1261 651 1288">Selected liquid temperature: 68 °F</p> <p data-bbox="225 1292 708 1319">Density: 62.29 lb/ft³</p> <p data-bbox="225 1350 351 1377"><b>Technical:</b></p> <p data-bbox="225 1382 695 1408">Rated pump speed: 3461 rpm</p> <p data-bbox="225 1413 735 1440">Rated flow: 30.4 US gpm</p> <p data-bbox="225 1444 676 1471">Rated head: 315.3 ft</p> <p data-bbox="225 1476 673 1503">Pump orientation: Vertical</p> <p data-bbox="225 1507 660 1534">Shaft seal arrangement: Single</p> <p data-bbox="225 1538 663 1565">Code for shaft seal: HQQV</p> <p data-bbox="225 1570 679 1597">Approvals on nameplate: CURUS</p> <p data-bbox="225 1601 788 1628">Curve tolerance: ISO9906:2012 3B</p> <p data-bbox="225 1659 343 1686"><b>Materials:</b></p> <p data-bbox="225 1691 831 1760">Base: Cast iron EN 1561 EN-GJL-200 ASTM A48-25B</p> <p data-bbox="225 1765 751 1834">Impeller: Stainless steel EN 1.4301 AISI 304</p> <p data-bbox="225 1839 632 1865">Bearing: SIC</p> <p data-bbox="225 1897 367 1924"><b>Installation:</b></p> <p data-bbox="225 1928 663 1955">Maximum ambient temperature: 140 °F</p> <p data-bbox="225 1960 705 1986">Maximum operating pressure: 362.59 psi</p> <p data-bbox="225 1991 828 2038">Max pressure at stated temperature: 363 psi / 194 °F 363 psi / -4 °F</p> <p data-bbox="225 2042 767 2069">Type of connection: DIN / ANSI / JIS</p>



Company name:

Created by:

Phone:

Date:

5/15/2019

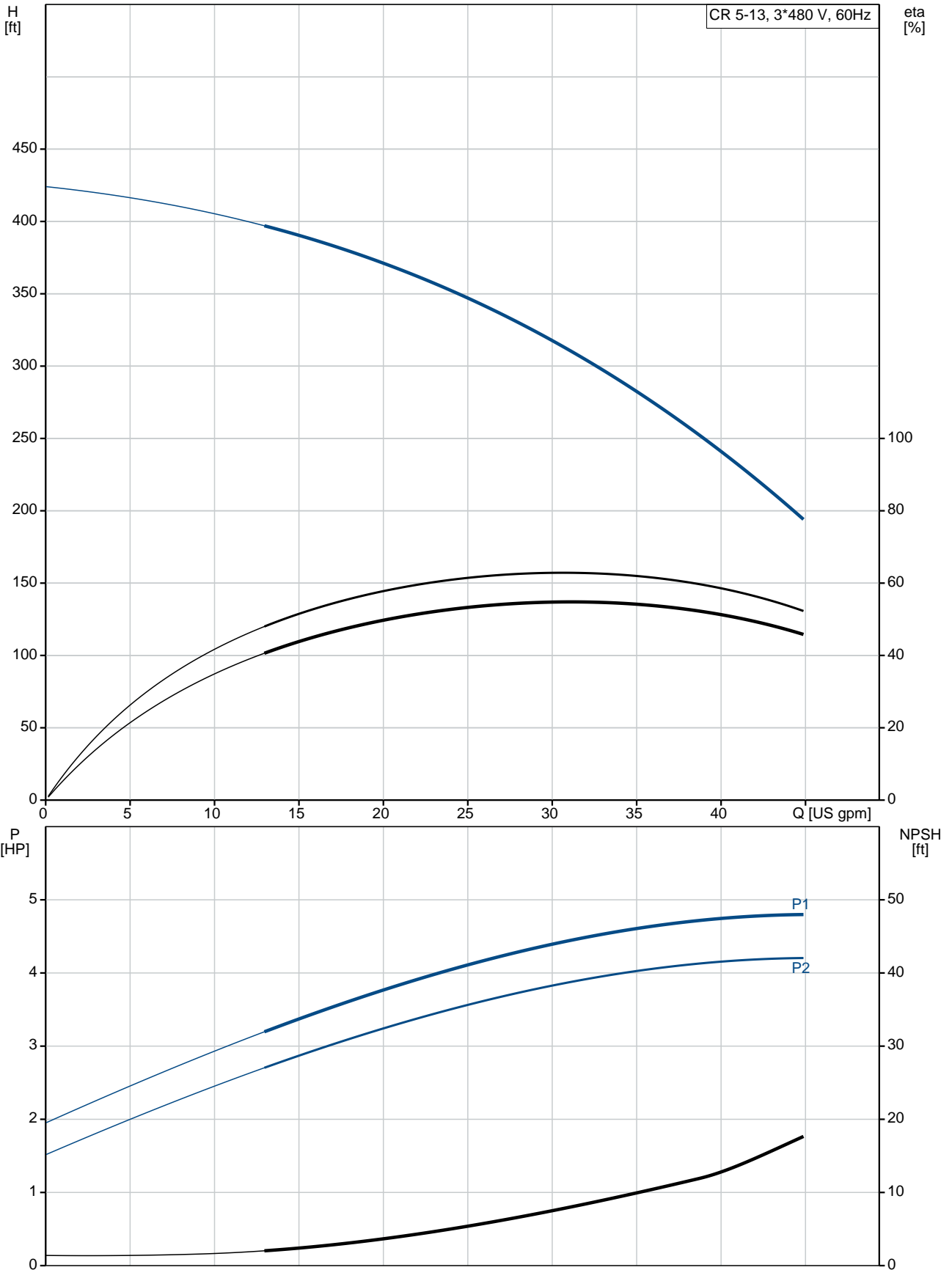
Count	Description
	Size of inlet connection: DN 25/32
	Size of suction port: 1 1/4 inch
	Size of outlet connection: DN 25/32
	Size of outlet port: 1 1/4 inch
	Pressure rating for pipe connection: PN 25
	Flange rating inlet: 250 lb
	Flange size for motor: 182TC
	<b>Electrical data:</b>
	Motor standard: NEMA
	Motor type: 112CA
	IE Efficiency class: NEMA Premium / IE3 60Hz
	Rated power - P2: 5 HP
	Power (P2) required by pump: 5 HP
	Main frequency: 60 Hz
	Rated voltage: 3 x 208-230YY/460Y V
	Service factor: 1.15
	Rated current: 14,1-13,1/7,29 A
	Starting current: 1000-1470 %
	Cos phi - power factor: 0.89-0.86
	Rated speed: 3525-3540 rpm
	IE efficiency: IE3 88,5%
	Motor efficiency at full load: 88.5 %
	Motor efficiency at 3/4 load: 88.6 %
	Motor efficiency at 1/2 load: 85.2 %
	Number of poles: 2
	Enclosure class (IEC 34-5): 55 Dust/Jetting
	Insulation class (IEC 85): F
	Motor Number: 85904389
	<b>Others:</b>
	Net weight: 147 lb
	Gross weight: 165 lb
	Shipping volume: 10.1 ft <sup>3</sup>
	Country of origin: US
	Custom tariff no.: 8413.70.2040



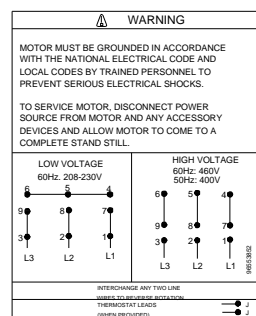
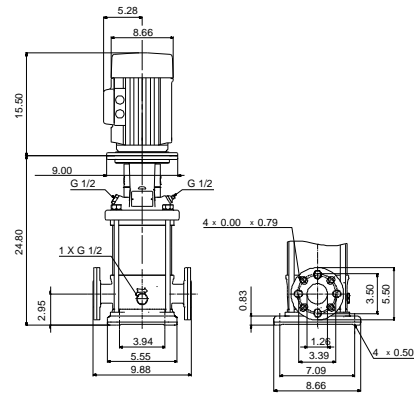
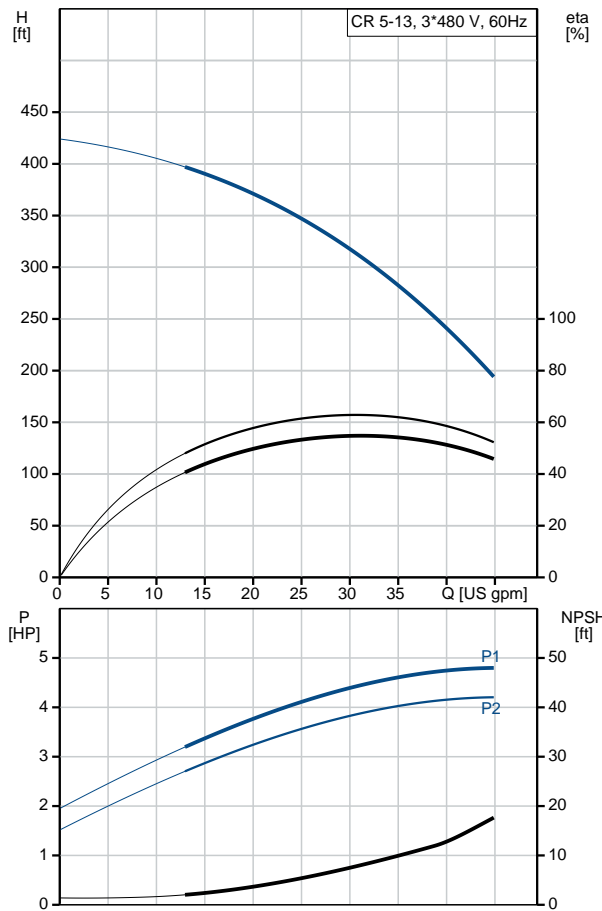
Company name:  
Created by:  
Phone:

Date: 5/15/2019

### 96084368 CR 5-13A-FGJ-A-V-HQQV 60 Hz



Description	Value
<b>General information:</b>	
Product name:	CR 5-13A-FGJ-A-V-HQQV
Product No.:	96084368
EAN:	5700395192063
<b>Technical:</b>	
Rated pump speed:	3461 rpm
Rated flow:	30.4 US gpm
Rated head:	315.3 ft
Head max:	424.2 ft
Stages:	13
Impellers:	13
Number of reduced-diameter impellers:	0
Low NPSH:	N
Pump orientation:	Vertical
Shaft seal arrangement:	Single
Code for shaft seal:	HQQV
Approvals on nameplate:	CURUS
Curve tolerance:	ISO9906:2012 3B
Pump version:	A
Model:	A
Cooling:	TEFC
<b>Materials:</b>	
Base:	Cast iron
	EN 1561 EN-GJL-200
	ASTM A48-25B
Impeller:	Stainless steel
	EN 1.4301
	AISI 304
Material code:	A
Code for rubber:	V
Bearing:	SIC
<b>Installation:</b>	
Maximum ambient temperature:	140 °F
Maximum operating pressure:	362.59 psi
Max pressure at stated temperature:	363 psi / 194 °F
	363 psi / -4 °F
Type of connection:	DIN / ANSI / JIS
Size of inlet connection:	DN 25/32
Size of suction port:	1 1/4 inch
Size of outlet connection:	DN 25/32
Size of outlet port:	1 1/4 inch
Pressure rating for pipe connection:	PN 25
Flange rating inlet:	250 lb
Flange size for motor:	182TC
Connect code:	FGJ
<b>Liquid:</b>	
Pumped liquid:	Water
Liquid temperature range:	-4 .. 194 °F
Selected liquid temperature:	68 °F
Density:	62.29 lb/ft³
<b>Electrical data:</b>	
Motor standard:	NEMA
Motor type:	112CA
IE Efficiency class:	NEMA Premium / IE3 60Hz
Rated power - P2:	5 HP
Power (P2) required by pump:	5 HP





Company name:

Created by:

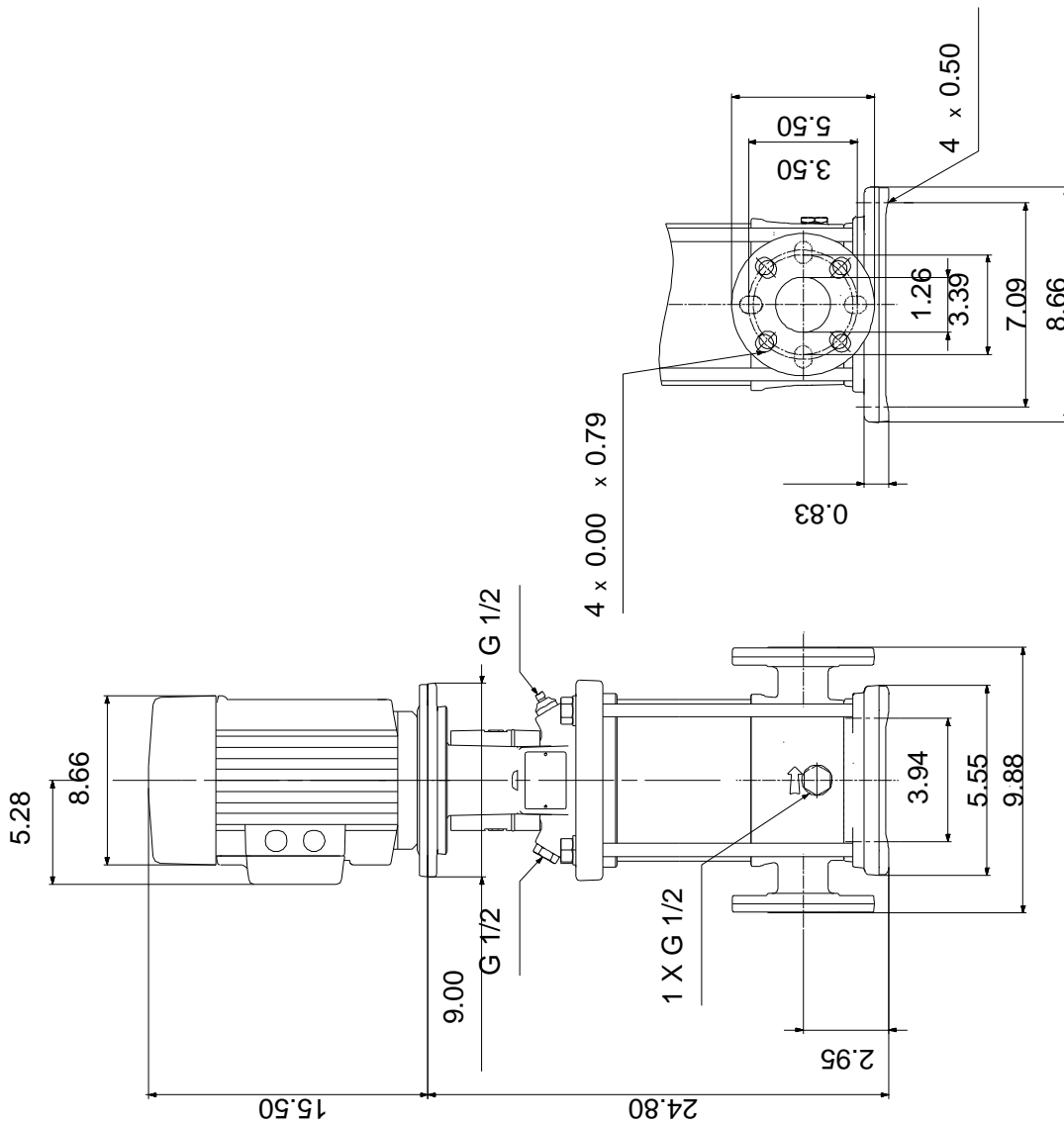
Phone:

Date:

5/15/2019

Description	Value
Main frequency:	60 Hz
Rated voltage:	3 x 208-230YY/460Y V
Service factor:	1.15
Rated current:	14,1-13,1/7,29 A
Starting current:	1000-1470 %
Load current:	16,2-15,0/8,40 A
Cos phi - power factor:	0.89-0.86
Rated speed:	3525-3540 rpm
IE efficiency:	IE3 88,5%
Motor efficiency at full load:	88.5 %
Motor efficiency at 3/4 load:	88.6 %
Motor efficiency at 1/2 load:	85.2 %
Number of poles:	2
Enclosure class (IEC 34-5):	55 Dust/Jetting
Insulation class (IEC 85):	F
Motor protection:	PTC
Motor Number:	85904389
<b>Controls:</b>	
Frequency converter:	NONE
<b>Others:</b>	
Net weight:	147 lb
Gross weight:	165 lb
Shipping volume:	10.1 ft <sup>3</sup>
Country of origin:	US
Custom tariff no.:	8413.70.2040

**96084368 CR 5-13A-FGJ-A-V-HQQV 60 Hz**



Note! All units are in [in] unless otherwise stated.  
Disclaimer: This simplified dimensional drawing does not show all details.



## 96084368 CR 5-13A-FGJ-A-V-HQQV 60 Hz

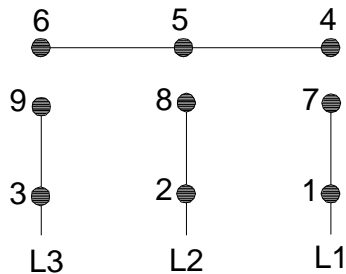


### WARNING

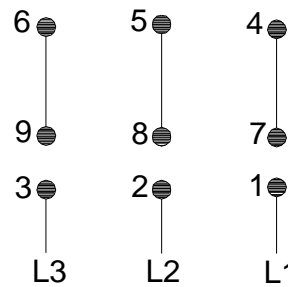
MOTOR MUST BE GROUNDED IN ACCORDANCE WITH THE NATIONAL ELECTRICAL CODE AND LOCAL CODES BY TRAINED PERSONNEL TO PREVENT SERIOUS ELECTRICAL SHOCKS.

TO SERVICE MOTOR, DISCONNECT POWER SOURCE FROM MOTOR AND ANY ACCESSORY DEVICES AND ALLOW MOTOR TO COME TO A COMPLETE STAND STILL.

#### LOW VOLTAGE 60Hz. 208-230V



#### HIGH VOLTAGE 60Hz: 460V 50Hz: 400V



96553852

INTERCHANGE ANY TWO LINE WIRES TO REVERSE ROTATION  
THERMOSTAT LEADS  
(WHEN PROVIDED)

