

PROJECT: _____	UNIT TAG: _____	QUANTITY: _____
REPRESENTATIVE: _____	TYPE OF SERVICE: _____	DATE: _____
ENGINEER: _____	SUBMITTED BY: _____	DATE: _____
CONTRACTOR: _____	APPROVED BY: _____	DATE: _____
	ORDER NO.: _____	DATE: _____

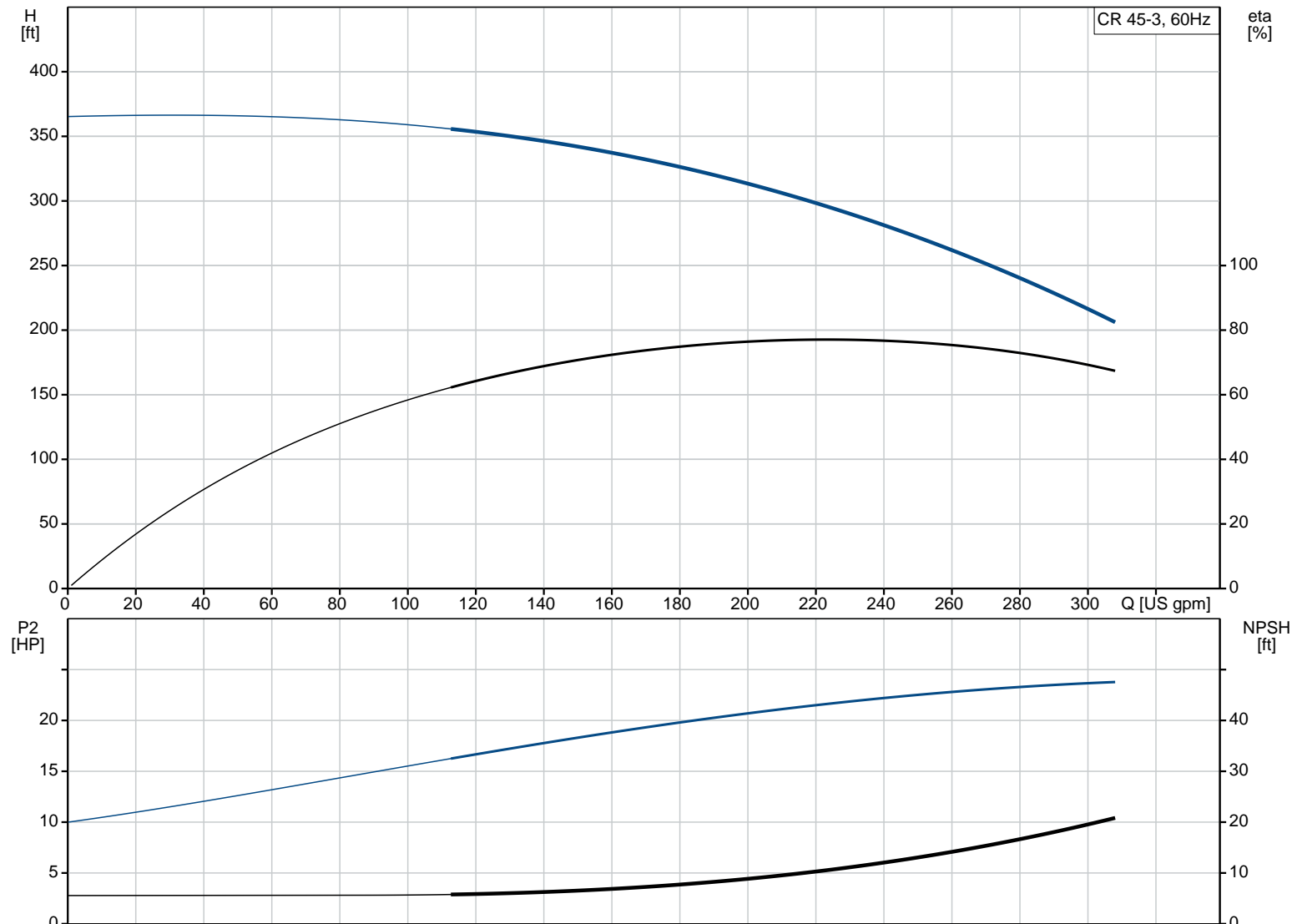


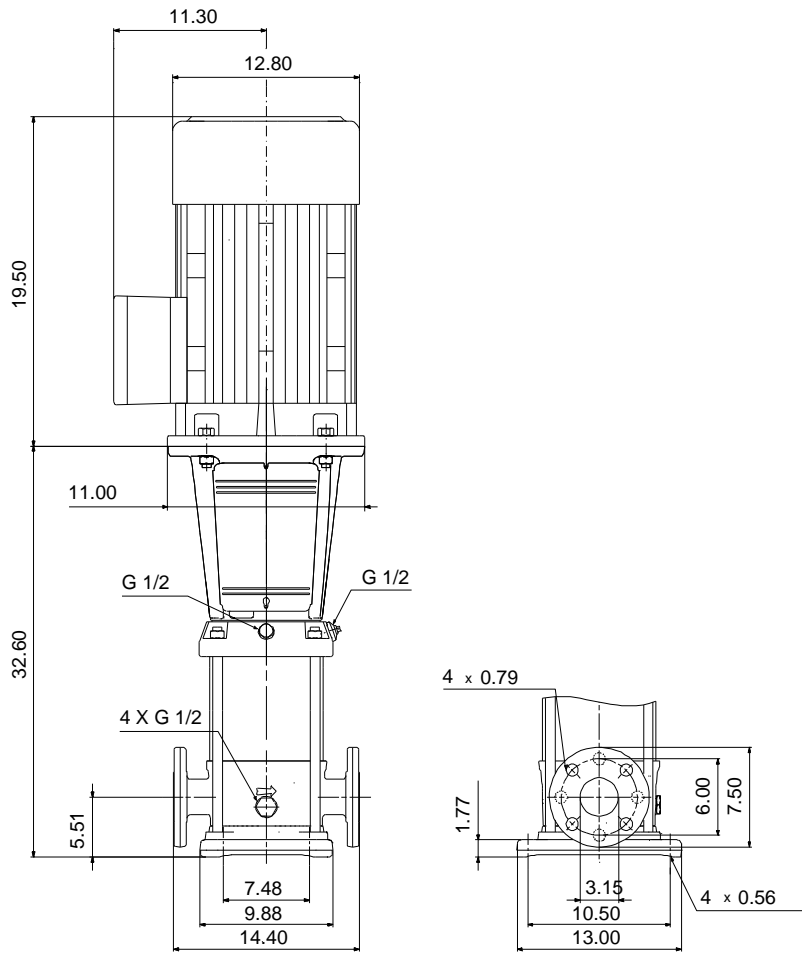
CR 45-3A-G-A-V-HQQV

Vertical, multistage centrifugal pump with suction and discharge ports on the same level. The pump head and base are in cast iron. All other wetted parts are in stainless steel (EN 1.4301) (AISI 304)

Product photo could vary from the actual product

Conditions of Service	Pump Data	Motor Data
Flow: _____	Max pressure at stated temperature: 232 psi / 194 °F	Rated power - P2: 25 HP
Head: _____	Liquid temperature range: -4 .. 194 °F	Rated voltage: 230/460 V
Efficiency: _____	Maximum ambient temperature: 104 °F	Main frequency: 60 Hz
Liquid: Water	Approvals: CURUS	Enclosure class: 54 Dust/Splashing
Temperature: 68 °F	Shaft seal: HQQV	Insulation class: F
NPSH required: ft	Product number: 96419246	Motor protection: NONE
Viscosity: _____		Motor type: Baldor
Specific Gravity: 1.000		






Materials:

Base: Cast iron
 EN 1563 EN-GJS-500-7
 ASTM A536 80-55-06

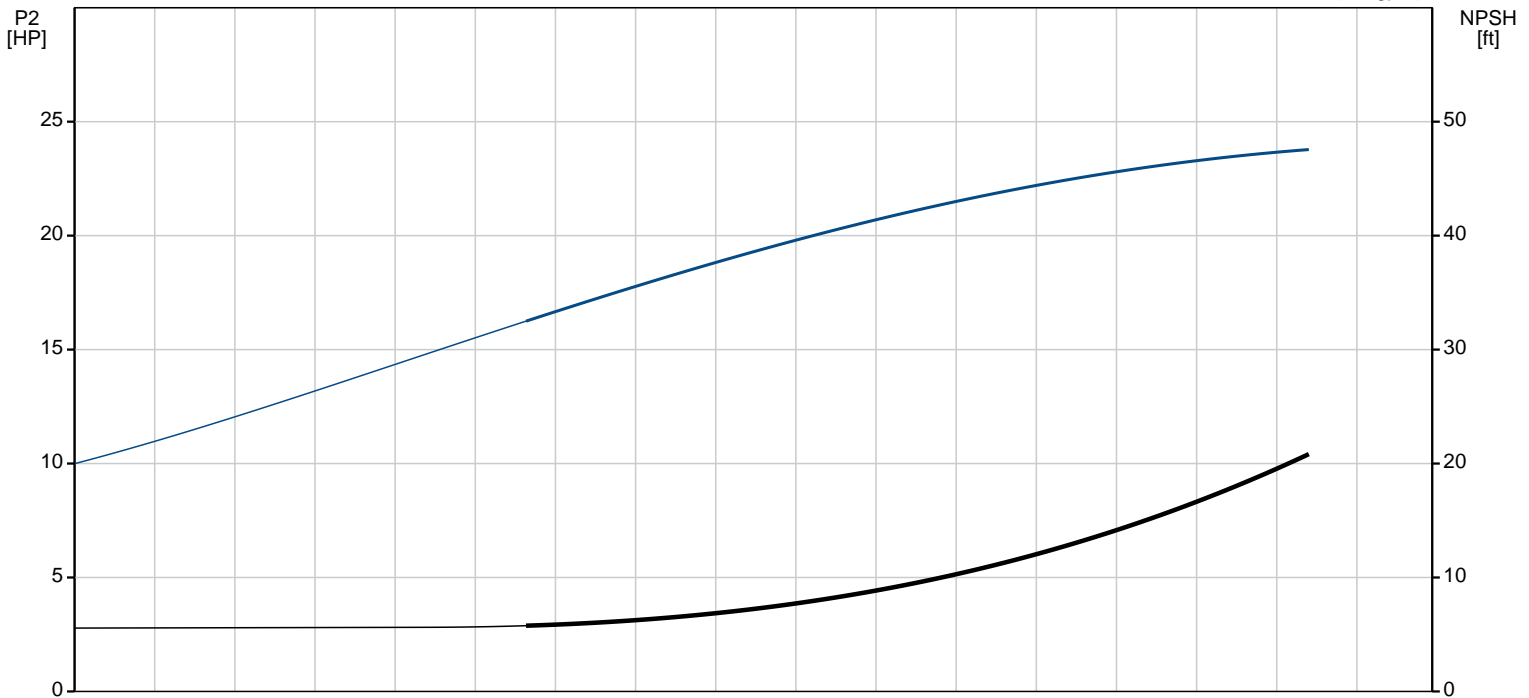
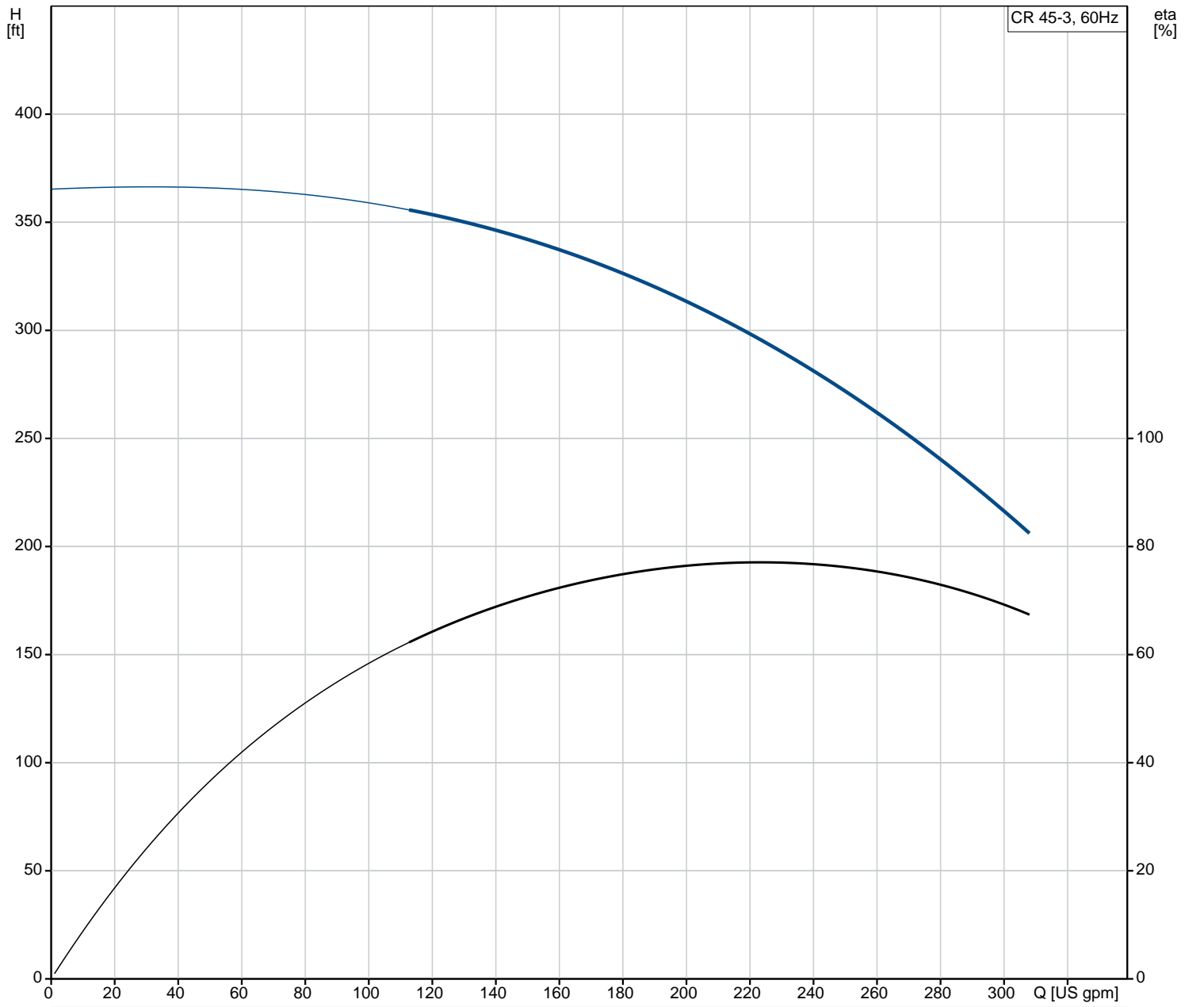
Impeller: Stainless steel
 AISI 304
 EN 1.4301

Material code: A
 Code for rubber: V

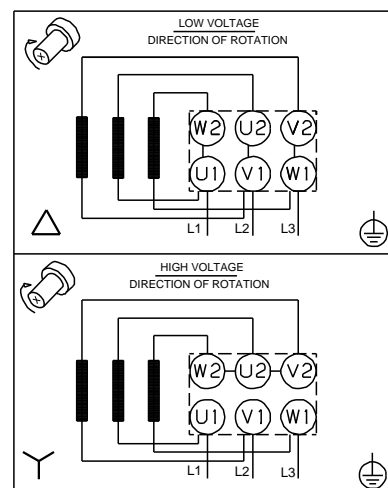
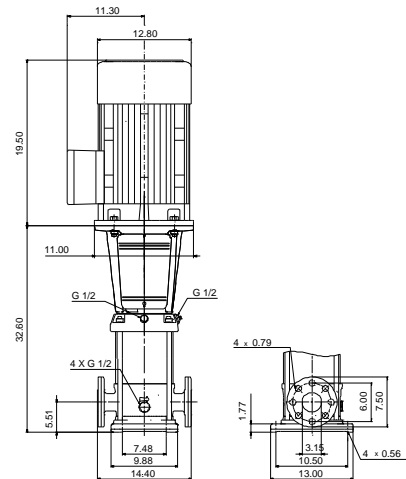
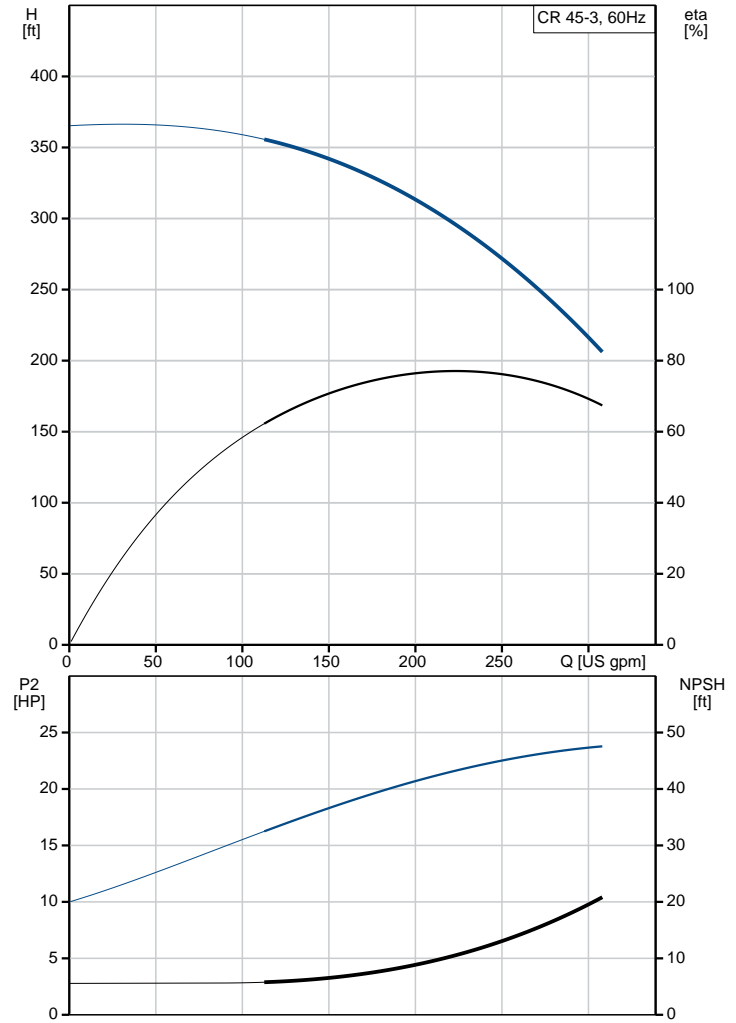
Count	Description																																																				
1	CR 45-3A-G-A-V-HQQV  Product No.: 96419246 Vertical, non-self-priming, multistage, in-line, centrifugal pump for installation in pipe systems and mounting on a foundation. The pump has the following characteristics: <ul style="list-style-type: none"> - Impellers and intermediate chambers are made of - The shaft seal has assembly length according to EN 12756. - Power transmission is via cast iron split coupling. The motor is a 3-phase AC motor. Controls: <table data-bbox="113 992 547 1021"> <tr> <td>Frequency converter:</td> <td>NONE</td> </tr> </table> Liquid: <table data-bbox="113 1084 600 1200"> <tr> <td>Pumped liquid:</td> <td>Water</td> </tr> <tr> <td>Liquid temperature range:</td> <td>-4 .. 194 °F</td> </tr> <tr> <td>Selected liquid temperature:</td> <td>68 °F</td> </tr> <tr> <td>Density:</td> <td>62.29 lb/ft³</td> </tr> </table> Technical: <table data-bbox="113 1263 675 1496"> <tr> <td>Rated pump speed:</td> <td>3521 rpm</td> </tr> <tr> <td>Rated flow:</td> <td>238 US gpm</td> </tr> <tr> <td>Rated head:</td> <td>282.5 ft</td> </tr> <tr> <td>Pump orientation:</td> <td>Vertical</td> </tr> <tr> <td>Shaft seal arrangement:</td> <td>Single</td> </tr> <tr> <td>Code for shaft seal:</td> <td>HQQV</td> </tr> <tr> <td>Approvals on nameplate:</td> <td>CURUS</td> </tr> <tr> <td>Curve tolerance:</td> <td>ISO9906:2012 3B</td> </tr> </table> Materials: <table data-bbox="113 1559 743 1794"> <tr> <td>Base:</td> <td>Cast iron EN 1563 EN-GJS-500-7 ASTM A536 80-55-06</td> </tr> <tr> <td>Impeller:</td> <td>Stainless steel EN 1.4301 AISI 304</td> </tr> <tr> <td>Bearing:</td> <td>SIC</td> </tr> <tr> <td>Support bearing:</td> <td>Graflon</td> </tr> </table> Installation: <table data-bbox="113 1856 715 2152"> <tr> <td>Maximum ambient temperature:</td> <td>104 °F</td> </tr> <tr> <td>Maximum operating pressure:</td> <td>232.06 psi</td> </tr> <tr> <td>Max pressure at stated temperature:</td> <td>232 psi / 194 °F 232 psi / -4 °F</td> </tr> <tr> <td>Type of connection:</td> <td>ANSI</td> </tr> <tr> <td>Size of suction port:</td> <td>3 inch</td> </tr> <tr> <td>Size of outlet port:</td> <td>3 inch</td> </tr> <tr> <td>Pressure rating for pipe connection:</td> <td>PN 16</td> </tr> <tr> <td>Flange rating inlet:</td> <td>150 lb</td> </tr> <tr> <td>Flange size for motor:</td> <td>284TC</td> </tr> </table> Electrical data:	Frequency converter:	NONE	Pumped liquid:	Water	Liquid temperature range:	-4 .. 194 °F	Selected liquid temperature:	68 °F	Density:	62.29 lb/ft ³	Rated pump speed:	3521 rpm	Rated flow:	238 US gpm	Rated head:	282.5 ft	Pump orientation:	Vertical	Shaft seal arrangement:	Single	Code for shaft seal:	HQQV	Approvals on nameplate:	CURUS	Curve tolerance:	ISO9906:2012 3B	Base:	Cast iron EN 1563 EN-GJS-500-7 ASTM A536 80-55-06	Impeller:	Stainless steel EN 1.4301 AISI 304	Bearing:	SIC	Support bearing:	Graflon	Maximum ambient temperature:	104 °F	Maximum operating pressure:	232.06 psi	Max pressure at stated temperature:	232 psi / 194 °F 232 psi / -4 °F	Type of connection:	ANSI	Size of suction port:	3 inch	Size of outlet port:	3 inch	Pressure rating for pipe connection:	PN 16	Flange rating inlet:	150 lb	Flange size for motor:	284TC
Frequency converter:	NONE																																																				
Pumped liquid:	Water																																																				
Liquid temperature range:	-4 .. 194 °F																																																				
Selected liquid temperature:	68 °F																																																				
Density:	62.29 lb/ft ³																																																				
Rated pump speed:	3521 rpm																																																				
Rated flow:	238 US gpm																																																				
Rated head:	282.5 ft																																																				
Pump orientation:	Vertical																																																				
Shaft seal arrangement:	Single																																																				
Code for shaft seal:	HQQV																																																				
Approvals on nameplate:	CURUS																																																				
Curve tolerance:	ISO9906:2012 3B																																																				
Base:	Cast iron EN 1563 EN-GJS-500-7 ASTM A536 80-55-06																																																				
Impeller:	Stainless steel EN 1.4301 AISI 304																																																				
Bearing:	SIC																																																				
Support bearing:	Graflon																																																				
Maximum ambient temperature:	104 °F																																																				
Maximum operating pressure:	232.06 psi																																																				
Max pressure at stated temperature:	232 psi / 194 °F 232 psi / -4 °F																																																				
Type of connection:	ANSI																																																				
Size of suction port:	3 inch																																																				
Size of outlet port:	3 inch																																																				
Pressure rating for pipe connection:	PN 16																																																				
Flange rating inlet:	150 lb																																																				
Flange size for motor:	284TC																																																				

Count	Description
	<p>Motor standard: NEMA Motor type: Baldor IE Efficiency class: NEMA Premium / IE3 60Hz Rated power - P2: 25 HP Power (P2) required by pump: 25 HP Main frequency: 60 Hz Rated voltage: 3 x 230/460 V Service factor: 1.15 Rated current: 56/28 A Rated speed: 3530 rpm Number of poles: 2 Enclosure class (IEC 34-5): 54 Dust/Splashing Insulation class (IEC 85): F Motor Number: 85600H26</p> <p>Others: Net weight: 518 lb Gross weight: 536 lb Shipping volume: 29 ft³ Country of origin: US Custom tariff no.: 8413.70.2040</p>

96419246 CR 45-3A-G-A-V-HQQV 60 Hz



Description	Value
General information:	
Product name:	CR 45-3A-G-A-V-HQQV
Product No.:	96419246
EAN:	5700390752408
Technical:	
Rated pump speed:	3521 rpm
Rated flow:	238 US gpm
Rated head:	282.5 ft
Head max:	364.8 ft
Stages:	3
Impellers:	3
Number of reduced-diameter impellers:	0
Low NPSH:	N
Pump orientation:	Vertical
Shaft seal arrangement:	Single
Code for shaft seal:	HQQV
Approvals on nameplate:	CURUS
Curve tolerance:	ISO9906:2012 3B
Pump version:	A
Model:	B
Cooling:	TEFC
Materials:	
Base:	Cast iron EN 1563 EN-GJS-500-7 ASTM A536 80-55-06
Impeller:	Stainless steel EN 1.4301 AISI 304
Material code:	A
Code for rubber:	V
Bearing:	SIC
Support bearing:	Graflon
Installation:	
Maximum ambient temperature:	104 °F
Maximum operating pressure:	232.06 psi
Max pressure at stated temperature:	232 psi / 194 °F 232 psi / -4 °F
Type of connection:	ANSI
Size of suction port:	3 inch
Size of outlet port:	3 inch
Pressure rating for pipe connection:	PN 16
Flange rating inlet:	150 lb
Flange size for motor:	284TC
Connect code:	G
Liquid:	
Pumped liquid:	Water
Liquid temperature range:	-4 .. 194 °F
Selected liquid temperature:	68 °F
Density:	62.29 lb/ft ³
Electrical data:	
Motor standard:	NEMA
Motor type:	Baldor
IE Efficiency class:	NEMA Premium / IE3 60Hz
Rated power - P2:	25 HP
Power (P2) required by pump:	25 HP
KVA code:	J
Main frequency:	60 Hz
Rated voltage:	3 x 230/460 V
Service factor:	1.15
Rated current:	56/28 A
Load current:	64.4/32.2 A
Rated speed:	3530 rpm
Number of poles:	2
Enclosure class (IEC 34-5):	54 Dust/Splashing
Insulation class (IEC 85):	F
Motor protection:	NONE





Company name:

Created by:

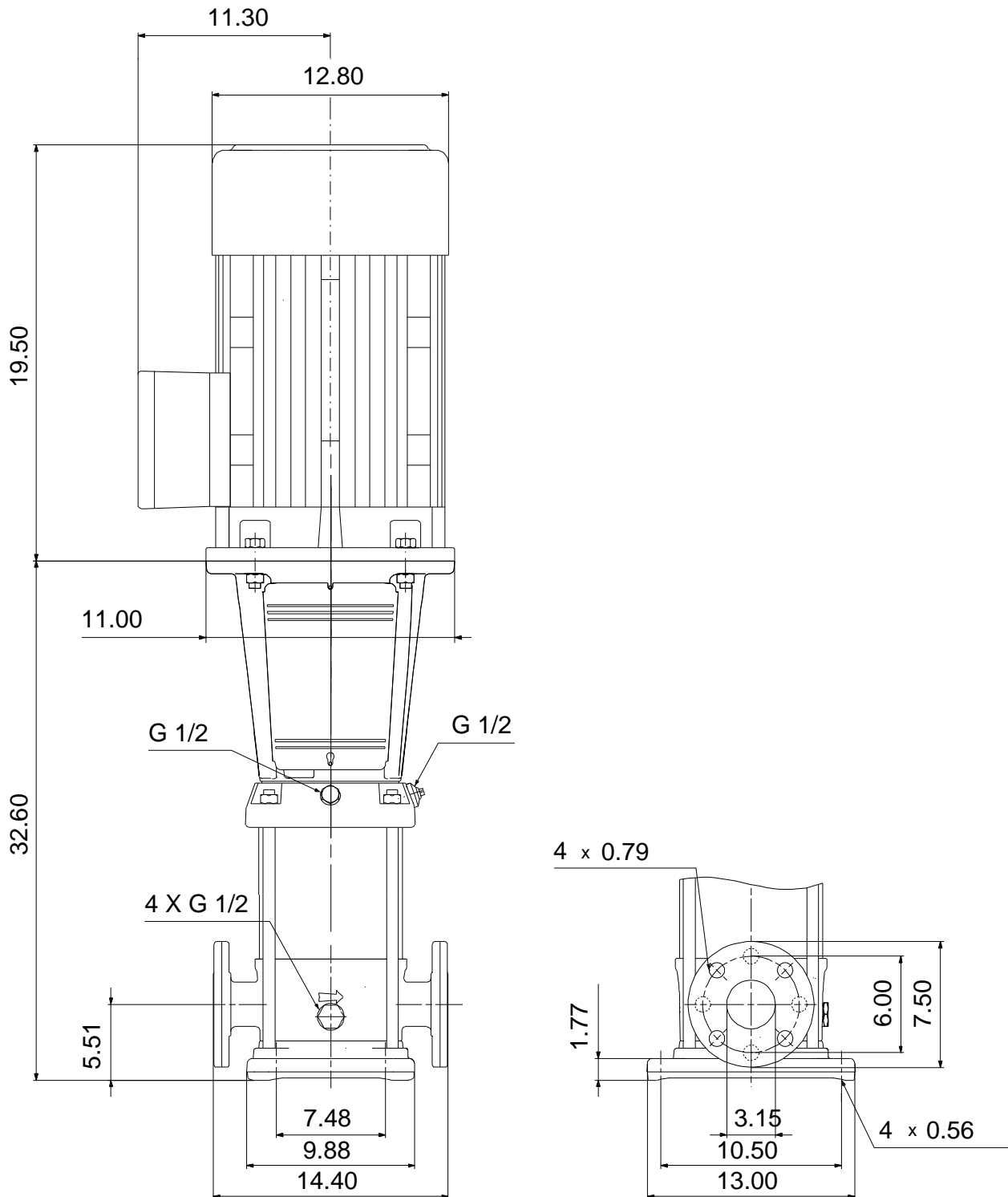
Phone:

Date:

5/2/2019

Description	Value
Motor Number:	85600H26
Controls:	
Frequency converter:	NONE
Others:	
Net weight:	518 lb
Gross weight:	536 lb
Shipping volume:	29 ft ³
Sales region:	Namreg
Country of origin:	US
Custom tariff no.:	8413.70.2040

96419246 CR 45-3A-G-A-V-HQQV 60 Hz



96419246 CR 45-3A-G-A-V-HQQV 60 Hz

