

PROJECT: _____	UNIT TAG: _____	QUANTITY: _____
REPRESENTATIVE: _____	TYPE OF SERVICE: _____	DATE: _____
ENGINEER: _____	SUBMITTED BY: _____	DATE: _____
CONTRACTOR: _____	APPROVED BY: _____	DATE: _____
	ORDER NO.: _____	DATE: _____

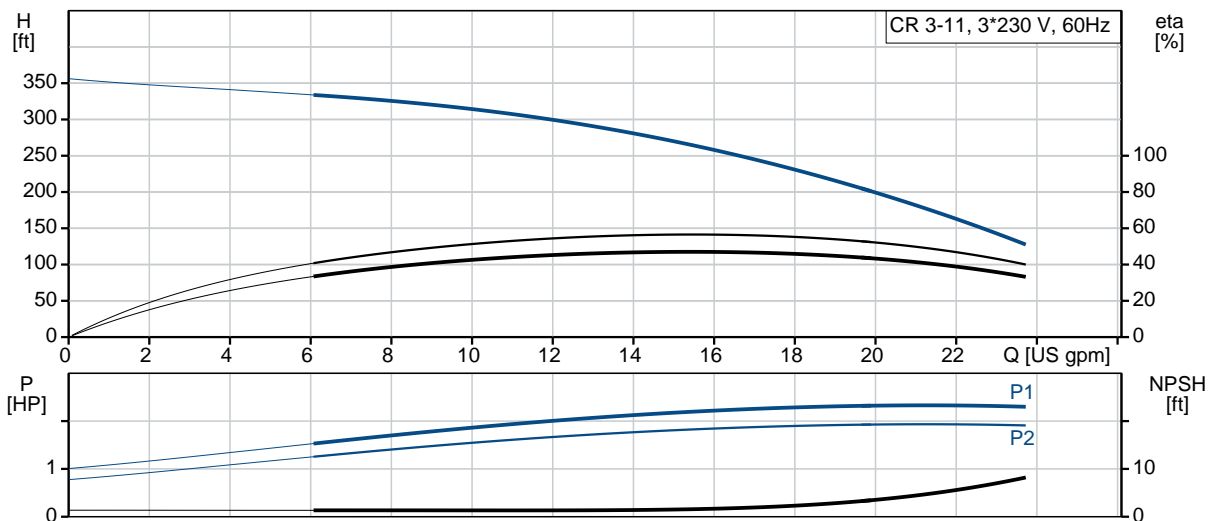


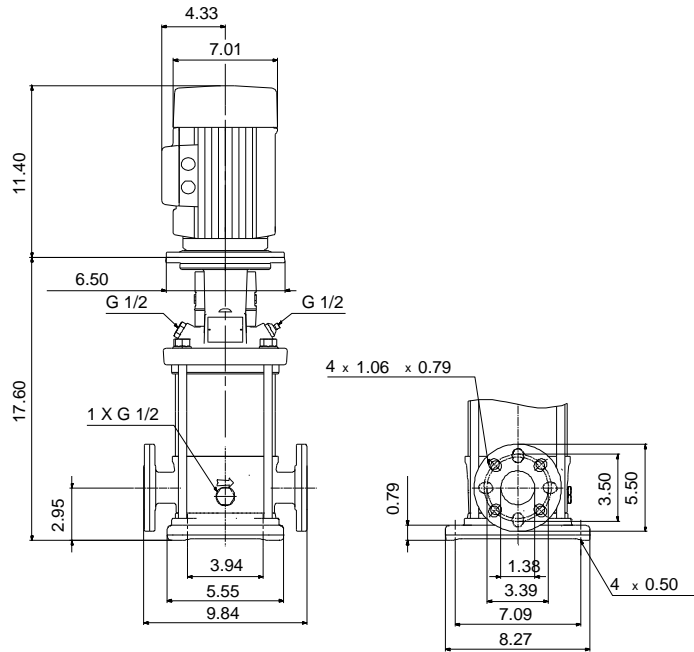
CR 3-11K-FGJ-A-E-HQQE

Vertical, multistage centrifugal pump with suction and discharge ports on the same level. The pump head and base are in cast iron. All other wetted parts are in stainless steel (EN 1.4301)(AISI 304)

Product photo could vary from the actual product

Conditions of Service	Pump Data	Motor Data
Flow: _____	Max pressure at stated temperature: 363 psi / 250 °F	Rated power - P2: 2 HP
Head: _____	Liquid temperature range: -4 .. 248 °F	Rated voltage: 208-230YY/460Y V
Efficiency: _____	Maximum ambient temperature: 140 °F	Main frequency: 60 Hz
Liquid: Water	Approvals: CURUS	Enclosure class: 55 Dust/Jetting
Temperature: 68 °F	Shaft seal: HQQE	Insulation class: F
NPSH required: ft	Product number: On request	Motor protection: NONE
Viscosity: _____		Motor type: 90CC
Specific Gravity: 1.000		Motor_efficiency: 85.5 %





Materials:

Base: Cast iron
 EN 1561 EN-GJL-200
 ASTM A48-25B

Impeller: Stainless steel
 AISI 304
 EN 1.4301

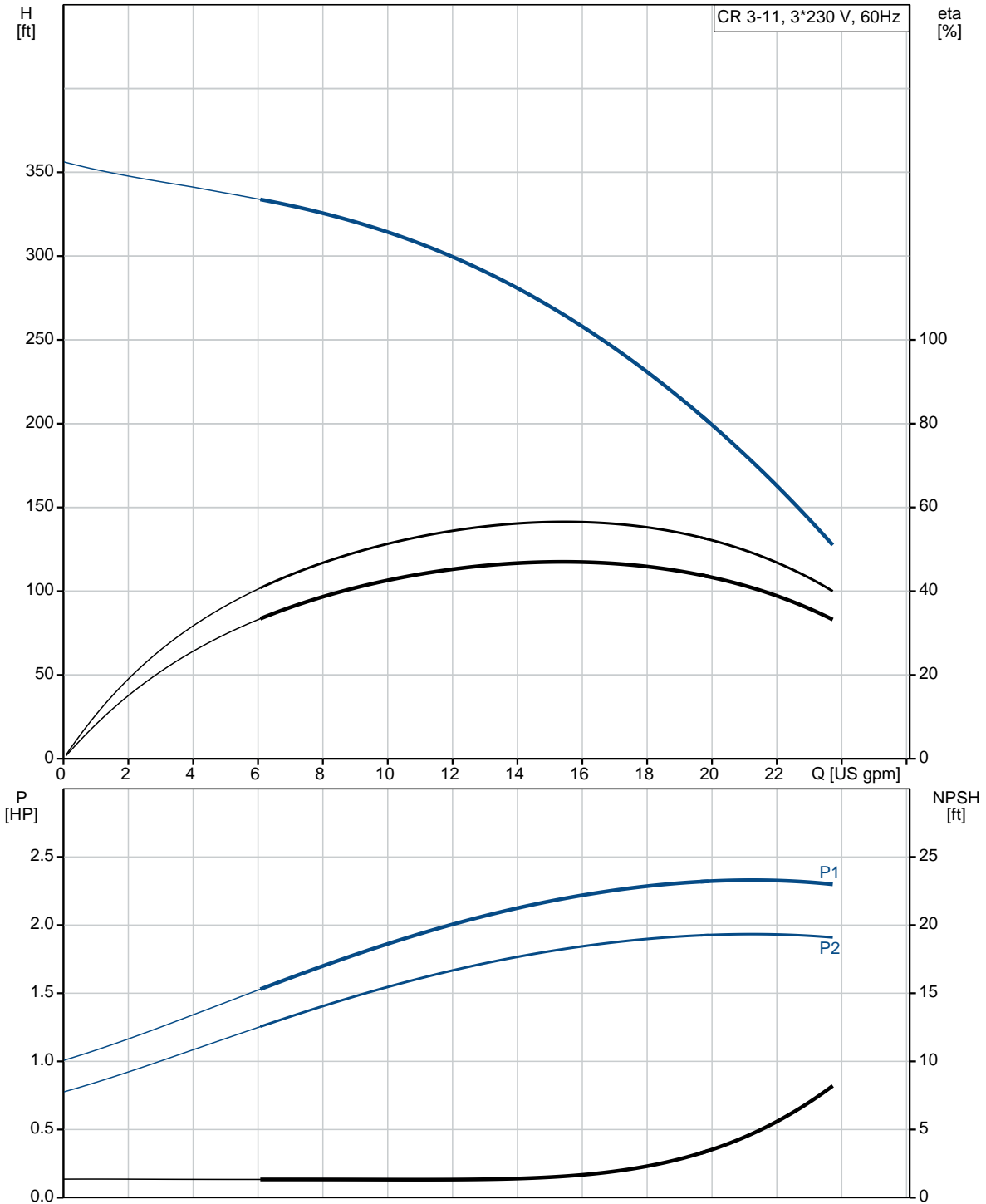
Material code: A
 Code for rubber: E



Company name:
Created by:
Phone:

Date: 5/13/2019

On request CR 3-11K-FGJ-A-E-HQQE 60 Hz

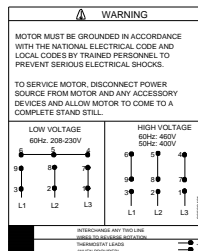
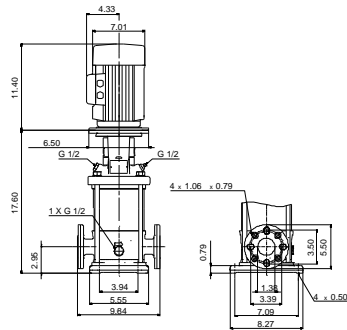
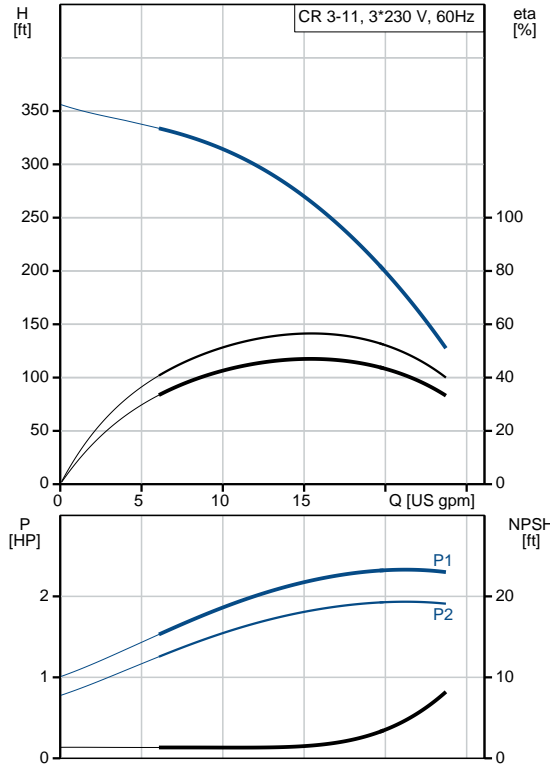




Company name:
Created by:
Phone:

Date: 5/13/2019

Description	Value
General information:	
Product name:	CR 3-11K-FGJ-A-E-HQQE
Product No.:	On request
EAN:	On request
Technical:	
Rated pump speed:	3452 rpm
Rated flow:	15.4 US gpm
Rated head:	259.9 ft
Head max:	345.5 ft
Stages:	11
Impellers:	11
Number of reduced-diameter impellers:	0
Low NPSH:	Y
Pump orientation:	Vertical
Shaft seal arrangement:	Single
Code for shaft seal:	HQQE
Approvals on nameplate:	CURUS
Curve tolerance:	ISO9906:2012 3B
Pump version:	K
Model:	A
Cooling:	TEFC
Materials:	
Base:	Cast iron EN 1561 EN-GJL-200 ASTM A48-25B
Impeller:	Stainless steel EN 1.4301 AISI 304
Material code:	A
Code for rubber:	E
Bearing:	SIC
Installation:	
Maximum ambient temperature:	140 °F
Maximum operating pressure:	362.59 psi
Max pressure at stated temperature:	363 psi / 250 °F 363 psi / -4 °F
Type of connection:	DIN / ANSI / JIS
Size of inlet connection:	DN 25/32
Size of suction port:	1 1/4 inch
Size of outlet connection:	DN 25/32
Size of outlet port:	1 1/4 inch
Pressure rating for pipe connection:	PN 25
Flange rating inlet:	250 lb
Flange size for motor:	56C
Connect code:	FGJ





Company name:

Created by:

Phone:

Date:

5/13/2019

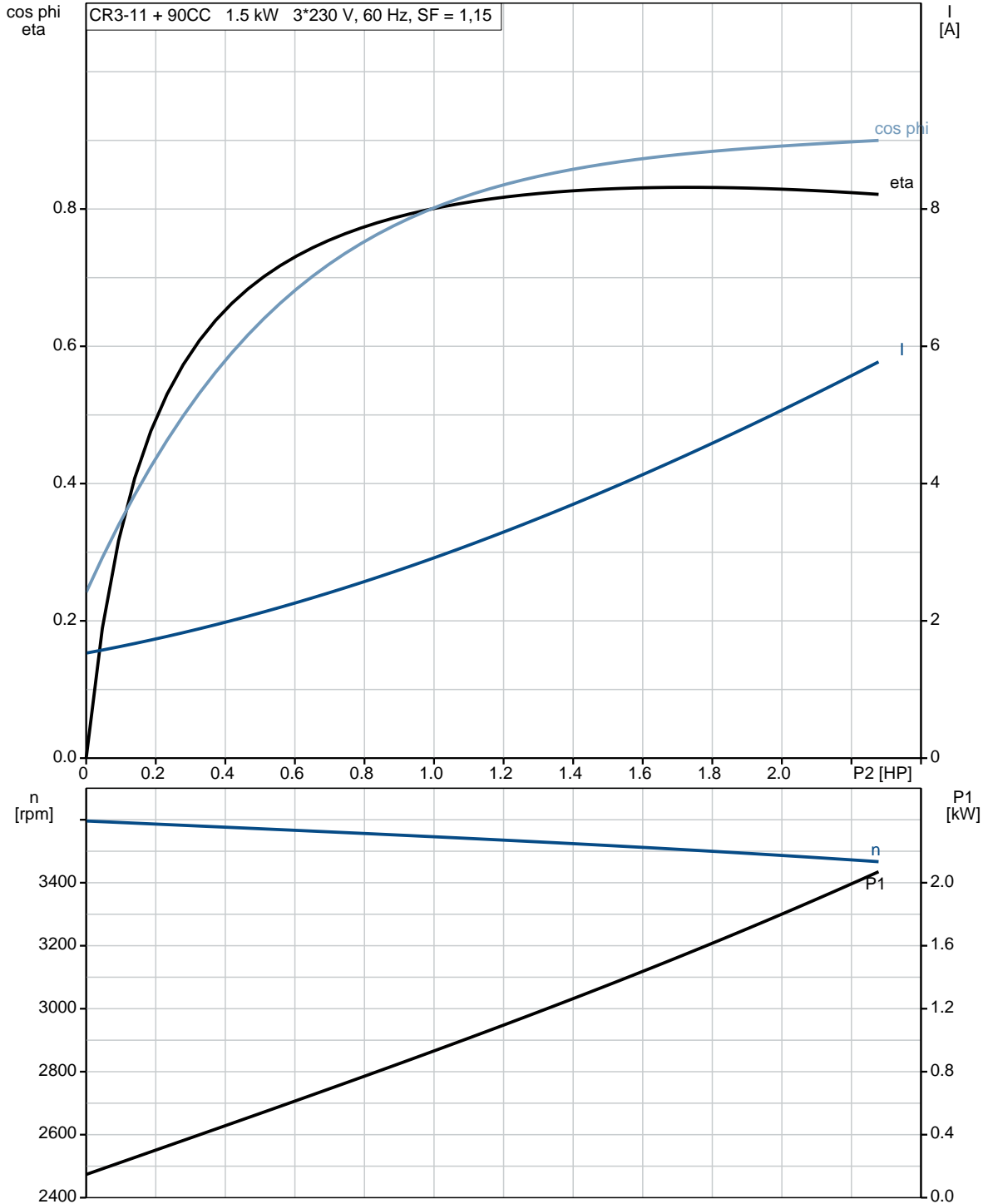
Description	Value
Liquid:	
Pumped liquid:	Water
Liquid temperature range:	-4 .. 248 °F
Selected liquid temperature:	68 °F
Density:	62.29 lb/ft ³
Electrical data:	
Motor standard:	NEMA
Motor type:	90CC
IE Efficiency class:	NEMA Premium / IE3 60Hz
Rated power - P2:	2 HP
Power (P2) required by pump:	2 HP
Main frequency:	60 Hz
Rated voltage:	3 x 208-230YY/460Y V
Service factor:	1.15
Rated current:	5,70-5,40/2,70 A
Starting current:	810-900 %
Load current:	6,55-6,1/3,05 A
Cos phi - power factor:	0.88-0.84
Rated speed:	3480-3510 rpm
IE efficiency:	IE3 85,5%
Motor efficiency at full load:	85.5 %
Motor efficiency at 3/4 load:	85.0 %
Motor efficiency at 1/2 load:	83.0 %
Number of poles:	2
Enclosure class (IEC 34-5):	55 Dust/Jetting
Insulation class (IEC 85):	F
Motor protection:	NONE
Motor Number:	85900705
Controls:	
Frequency converter:	NONE
Others:	
Net weight:	86.1 lb
Gross weight:	101 lb
Shipping volume:	8.26 ft ³
Country of origin:	US
Custom tariff no.:	8413.70.2040



Company name:
Created by:
Phone:

Date: 5/13/2019

On request CR 3-11K-FGJ-A-E-HQQE 60 Hz

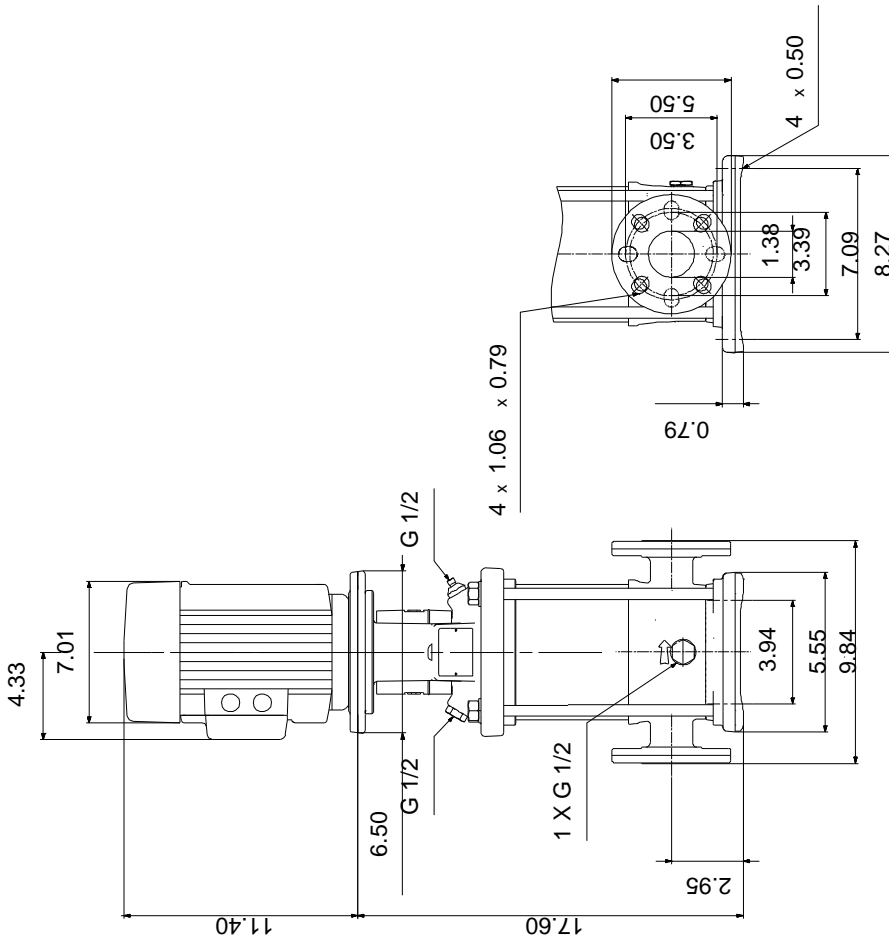




Company name:
Created by:
Phone:

Date: 5/13/2019

On request CR 3-11K-FGJ-A-E-HQQE 60 Hz



Note! All units are in [in] unless otherwise stated.
Disclaimer: This simplified dimensional drawing does not show all details.



Company name:
Created by:
Phone:

Date: 5/13/2019

On request CR 3-11K-FGJ-A-E-HQQE 60 Hz

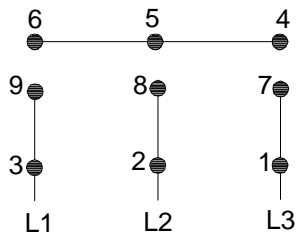


WARNING

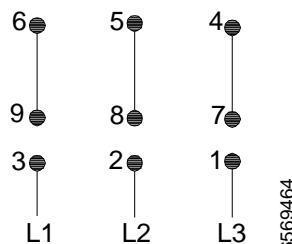
MOTOR MUST BE GROUNDED IN ACCORDANCE WITH THE NATIONAL ELECTRICAL CODE AND LOCAL CODES BY TRAINED PERSONNEL TO PREVENT SERIOUS ELECTRICAL SHOCKS.

TO SERVICE MOTOR, DISCONNECT POWER SOURCE FROM MOTOR AND ANY ACCESSORY DEVICES AND ALLOW MOTOR TO COME TO A COMPLETE STAND STILL.

LOW VOLTAGE 60Hz. 208-230V



HIGH VOLTAGE 60Hz: 460V 50Hz: 400V



96569464

INTERCHANGE ANY TWO LINE
WIRES TO REVERSE ROTATION
THERMOSTAT LEADS
(WHEN PROVIDED)



All units are [in] unless otherwise presented.