

PROJECT: _____	UNIT TAG: _____	QUANTITY: _____
REPRESENTATIVE: _____	TYPE OF SERVICE: _____	DATE: _____
ENGINEER: _____	SUBMITTED BY: _____	DATE: _____
CONTRACTOR: _____	APPROVED BY: _____	DATE: _____
	ORDER NO.: _____	DATE: _____

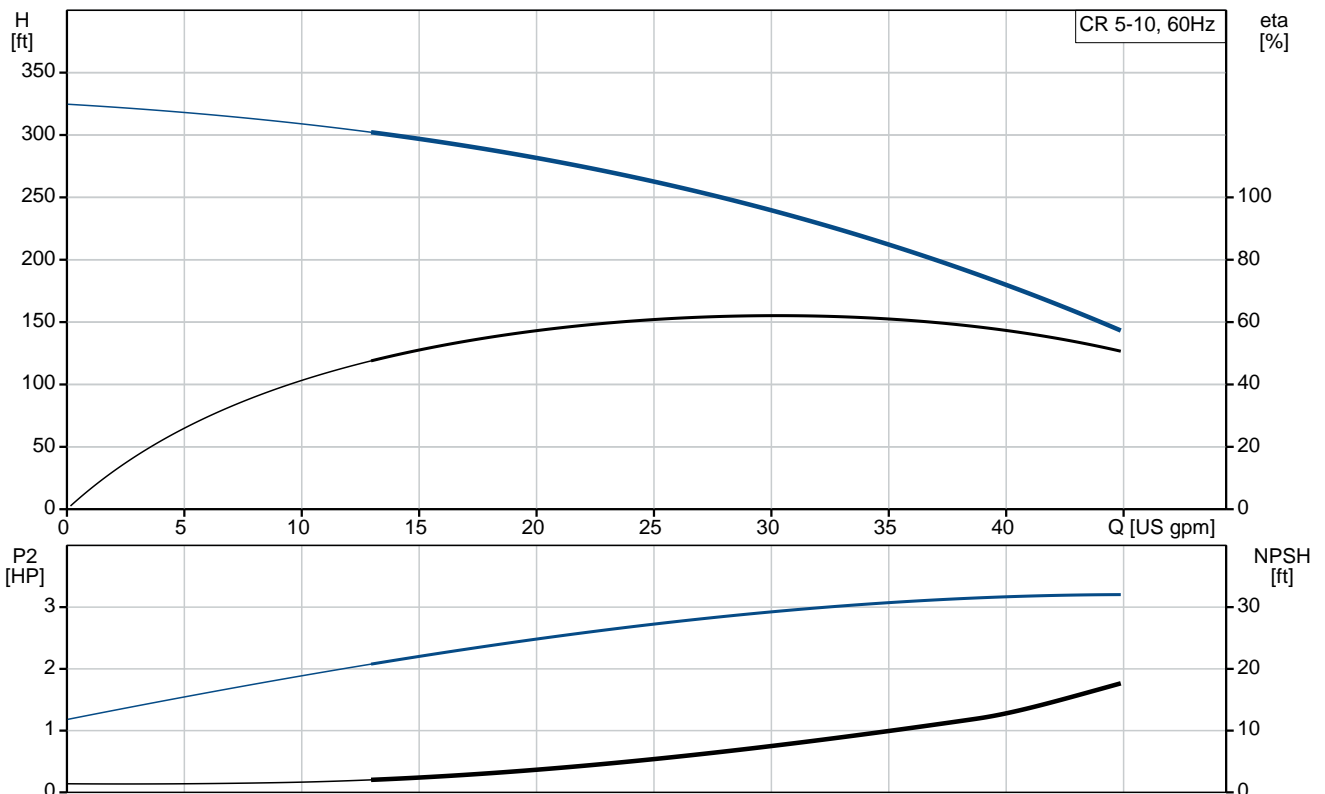
CR 5-10A-B-A-V-HQQV

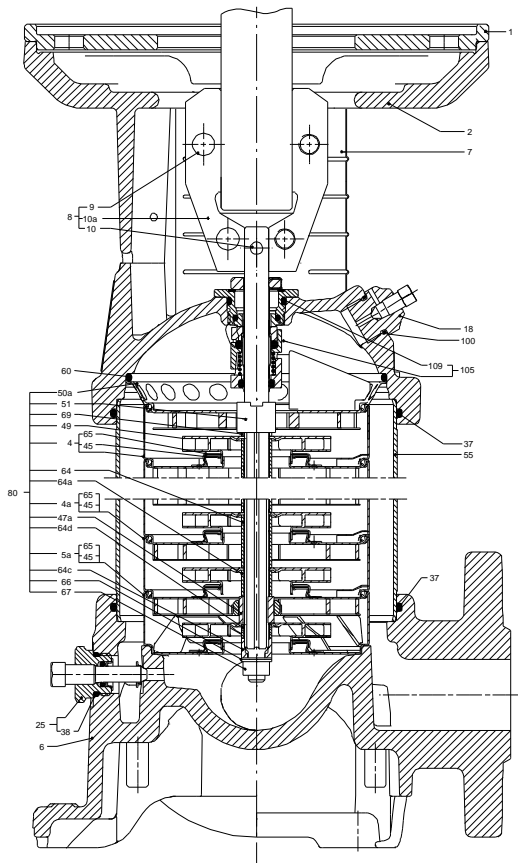
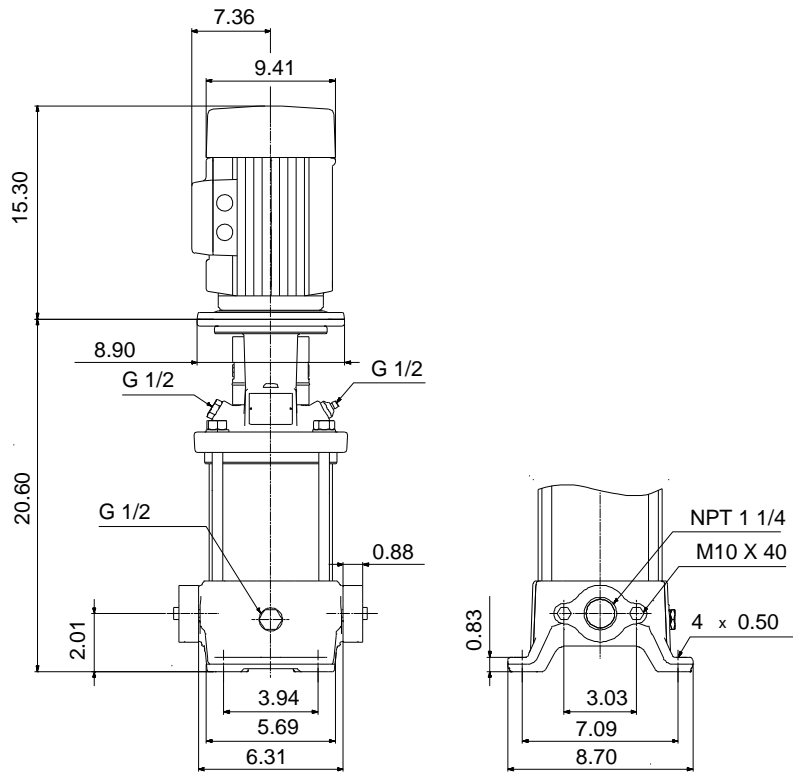
Vertical, multistage centrifugal pump with suction and discharge ports on the same level. The pump head and base are in cast iron. All other wetted parts are in stainless steel (EN 1.4301)(AISI 304)



Product photo could vary from the actual product


Conditions of Service	Pump Data	Motor Data
Flow: _____	Max pressure at stated temperature: 232 psi / 194 °F	Rated power - P2: 5 HP
Head: _____	Liquid temperature range: -4 .. 194 °F	Rated voltage: 208-230 V
Efficiency: _____	Maximum ambient temperature: 104 °F	Main frequency: 60 Hz
Liquid: Water	Approvals: CURUS	Enclosure class: 54 Dust/Splashing
Temperature: 68 °F	Shaft seal: HQQV	Insulation class: F
NPSH required: ft	Product number: 97766066	Motor protection: NONE
Viscosity: _____		Motor type: Baldor
Specific Gravity: 1.000		





Materials:

- Base: Cast iron
EN 1561 EN-GJL-200
ASTM A48-25B
- Impeller: Stainless steel
AISI 304
EN 1.4301
- Material code: A
- Code for rubber: V

Count	Description
1	<p data-bbox="225 342 496 365">CR 5-10A-B-A-V-HQQV</p>  <p data-bbox="225 663 491 685">Product No.: 97766066</p> <p data-bbox="225 692 748 777">Vertical, non-self-priming, multistage, in-line, centrifugal pump for installation in pipe systems and mounting on a foundation.</p> <p data-bbox="225 810 703 833">The pump has the following characteristics:</p> <ul data-bbox="264 840 850 954" style="list-style-type: none"> - Impellers and intermediate chambers are made of - The shaft seal has assembly length according to EN 12756. - Power transmission is via cast iron split coupling. <p data-bbox="225 1016 600 1039">The motor is a 1-phase AC motor.</p> <p data-bbox="225 1077 325 1099">Controls:</p> <p data-bbox="225 1106 660 1128">Frequency converter: NONE</p> <p data-bbox="225 1167 309 1189">Liquid:</p> <p data-bbox="225 1196 715 1310">Pumped liquid: Water Liquid temperature range: -4 .. 194 °F Selected liquid temperature: 68 °F Density: 62.29 lb/ft³</p> <p data-bbox="225 1346 347 1368">Technical:</p> <p data-bbox="225 1375 788 1608">Rated pump speed: 3457 rpm Rated flow: 30.4 US gpm Rated head: 241.2 ft Pump orientation: Vertical Shaft seal arrangement: Single Code for shaft seal: HQQV Approvals on nameplate: CURUS Curve tolerance: ISO9906:2012 3B</p> <p data-bbox="225 1644 341 1666">Materials:</p> <p data-bbox="225 1673 831 1877">Base: Cast iron EN 1561 EN-GJL-200 ASTM A48-25B Impeller: Stainless steel EN 1.4301 AISI 304 Bearing: SIC</p> <p data-bbox="225 1912 363 1935">Installation:</p> <p data-bbox="225 1942 826 2056">Maximum ambient temperature: 104 °F Maximum operating pressure: 232.06 psi Max pressure at stated temperature: 232 psi / 194 °F 232 psi / -4 °F</p> <p data-bbox="225 2063 743 2085">Type of connection: Oval / NPT(F)</p>



Company name:

Created by:

Phone:

Date:

5/6/2019

Count	Description
	Size of suction port: 1 1/4 inch
	Size of outlet port: 1 1/4 inch
	Pressure rating for pipe connection: PN 16
	Flange size for motor: 182TC
	Electrical data:
	Motor standard: NEMA
	Motor type: Baldor
	Rated power - P2: 5 HP
	Power (P2) required by pump: 5 HP
	Main frequency: 60 Hz
	Rated voltage: 1 x 208-230 V
	Service factor: 1.15
	Rated current: 24.0-22.0 A
	Rated speed: 3450 rpm
	Number of poles: 2
	Enclosure class (IEC 34-5): 54 Dust/Splashing
	Insulation class (IEC 85): F
	Motor Number: 85700012
	Others:
	Net weight: 146 lb
	Gross weight: 161 lb
	Shipping volume: 8.26 ft ³
	Country of origin: US
	Custom tariff no.: 8413.70.2040



Company name:

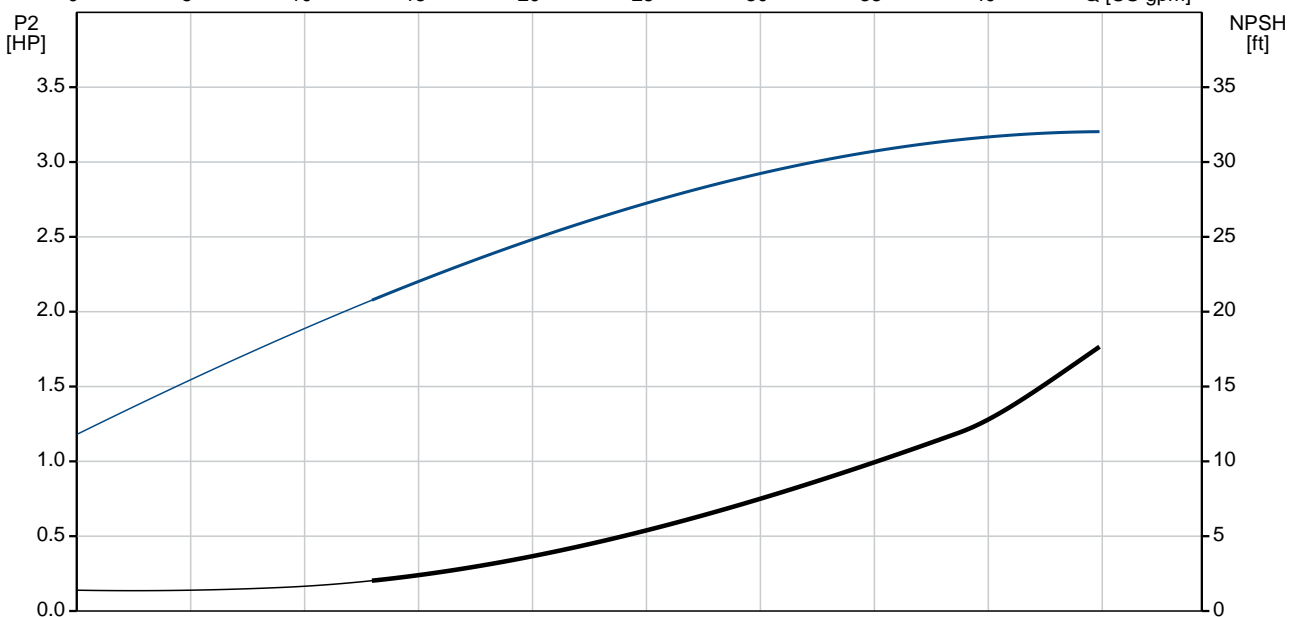
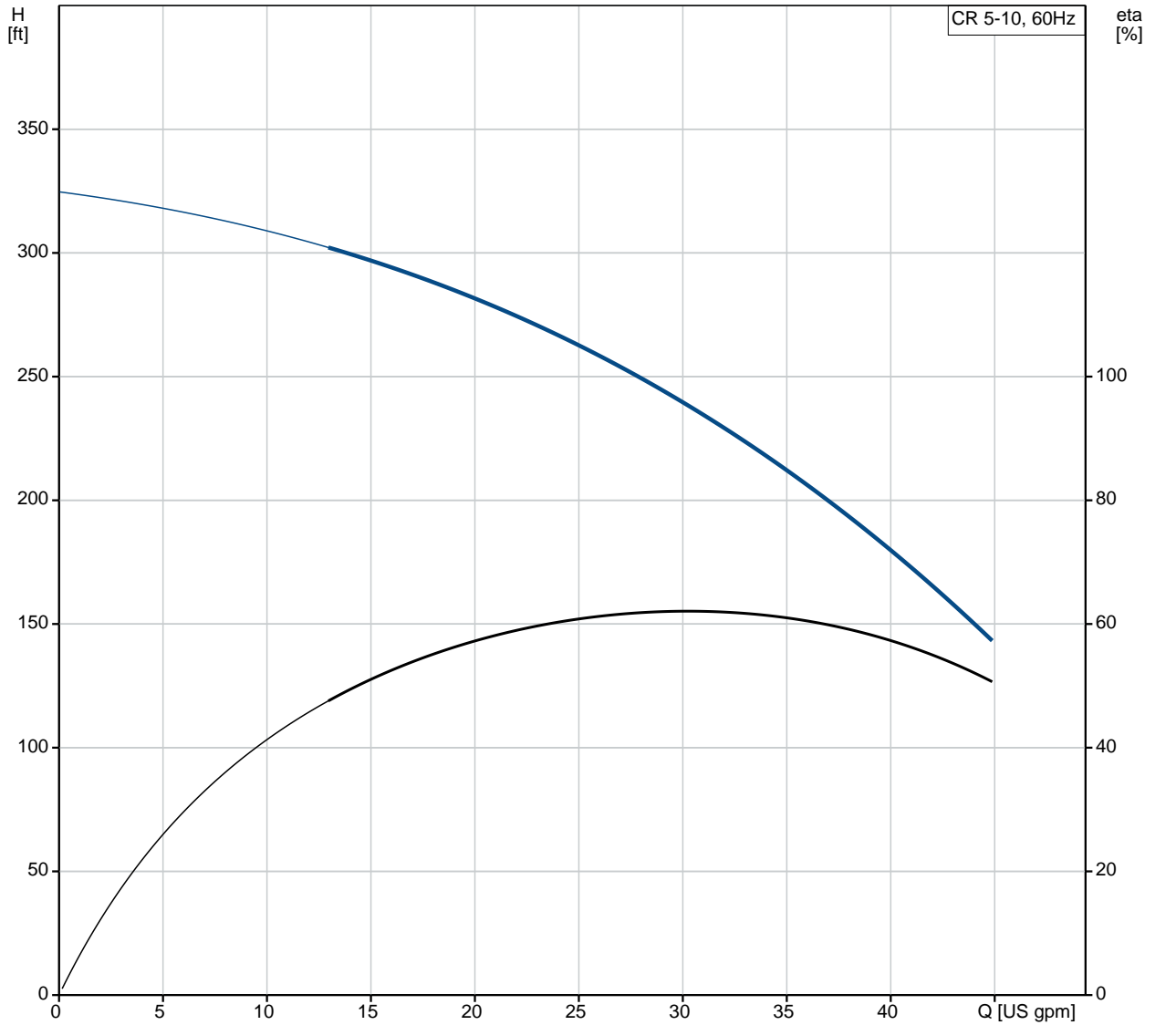
Created by:

Phone:

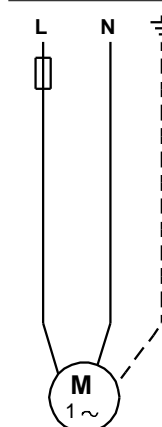
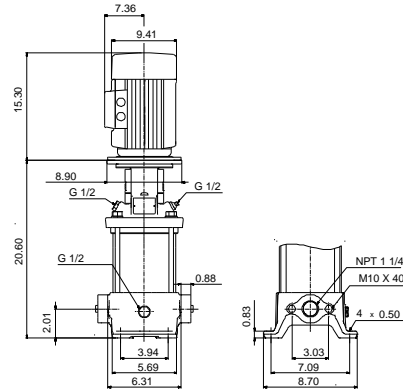
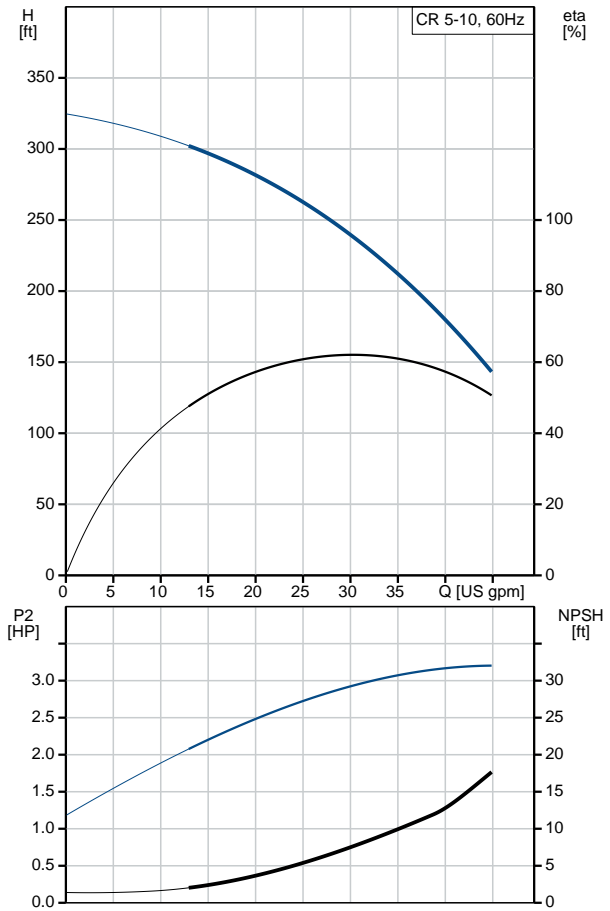
Date:

5/6/2019

97766066 CR 5-10A-B-A-V-HQQV 60 Hz



Description	Value
General information:	
Product name:	CR 5-10A-B-A-V-HQQV
Product No.:	97766066
EAN:	5710624004197
Technical:	
Rated pump speed:	3457 rpm
Rated flow:	30.4 US gpm
Rated head:	241.2 ft
Head max:	326.1 ft
Stages:	10
Impellers:	10
Number of reduced-diameter impellers:	0
Low NPSH:	N
Pump orientation:	Vertical
Shaft seal arrangement:	Single
Code for shaft seal:	HQQV
Approvals on nameplate:	CURUS
Curve tolerance:	ISO9906:2012 3B
Pump version:	A
Model:	A
Cooling:	TEFC
Materials:	
Base:	Cast iron EN 1561 EN-GJL-200 ASTM A48-25B
Impeller:	Stainless steel EN 1.4301 AISI 304
Material code:	A
Code for rubber:	V
Bearing:	SIC
Installation:	
Maximum ambient temperature:	104 °F
Maximum operating pressure:	232.06 psi
Max pressure at stated temperature:	232 psi / 194 °F 232 psi / -4 °F
Type of connection:	Oval / NPT(F)
Size of suction port:	1 1/4 inch
Size of outlet port:	1 1/4 inch
Pressure rating for pipe connection:	PN 16
Flange size for motor:	182TC
Connect code:	B
Liquid:	
Pumped liquid:	Water
Liquid temperature range:	-4 .. 194 °F
Selected liquid temperature:	68 °F
Density:	62.29 lb/ft ³
Electrical data:	
Motor standard:	NEMA
Motor type:	Baldor
Rated power - P2:	5 HP
Power (P2) required by pump:	5 HP
Main frequency:	60 Hz
Rated voltage:	1 x 208-230 V
Service factor:	1.15
Rated current:	24.0-22.0 A
Load current:	27.0-25.0 A
Rated speed:	3450 rpm





Company name:

Created by:

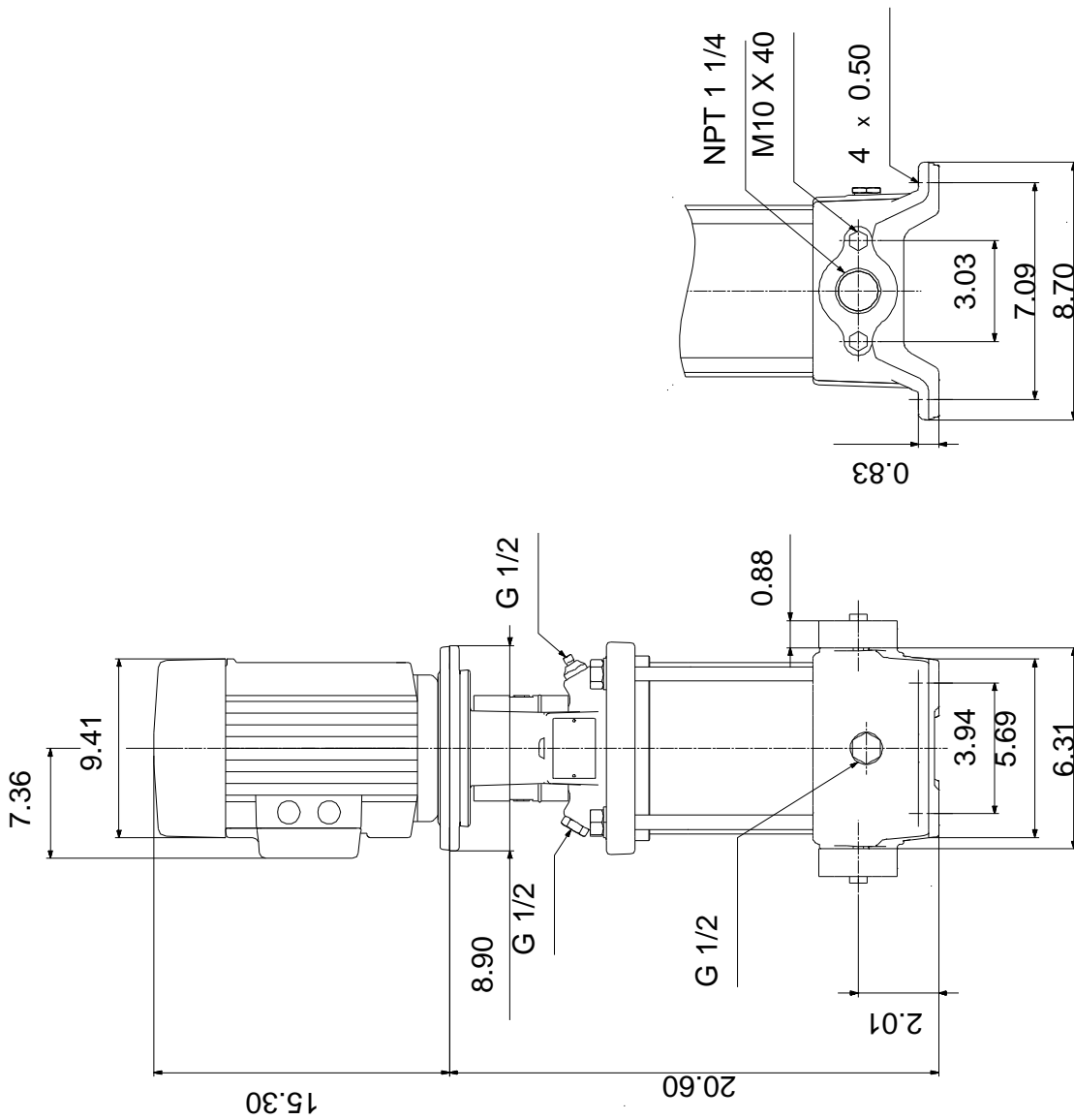
Phone:

Date:

5/6/2019

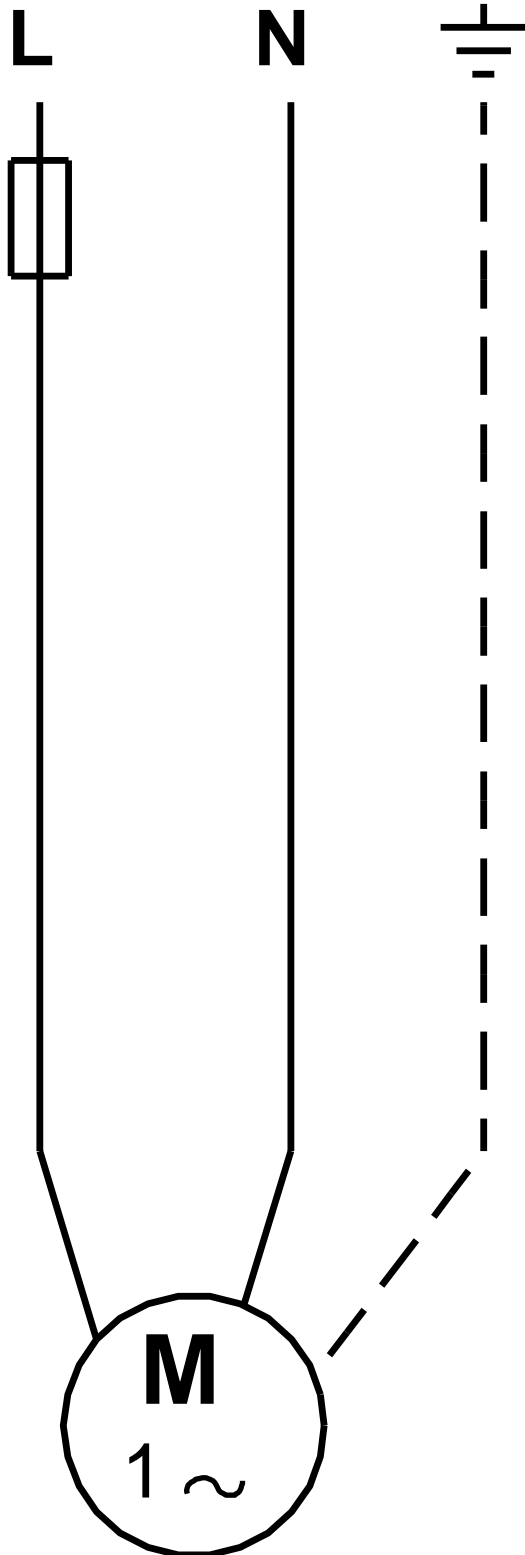
Description	Value
Number of poles:	2
Enclosure class (IEC 34-5):	54 Dust/Splashing
Insulation class (IEC 85):	F
Motor protection:	NONE
Motor Number:	85700012
Controls:	
Frequency converter:	NONE
Others:	
Net weight:	146 lb
Gross weight:	161 lb
Shipping volume:	8.26 ft ³
Country of origin:	US
Custom tariff no.:	8413.70.2040

97766066 CR 5-10A-B-A-V-HQQV 60 Hz



Note! All units are in [in] unless otherwise stated.
Disclaimer: This simplified dimensional drawing does not show all details.

97766066 CR 5-10A-B-A-V-HQQV 60 Hz



All units are [in] unless otherwise presented.