

| | | |
|-----------------------|------------------------|-----------------|
| PROJECT: _____ | UNIT TAG: _____ | QUANTITY: _____ |
| REPRESENTATIVE: _____ | TYPE OF SERVICE: _____ | DATE: _____ |
| ENGINEER: _____ | SUBMITTED BY: _____ | DATE: _____ |
| CONTRACTOR: _____ | APPROVED BY: _____ | DATE: _____ |
| | ORDER NO.: _____ | DATE: _____ |

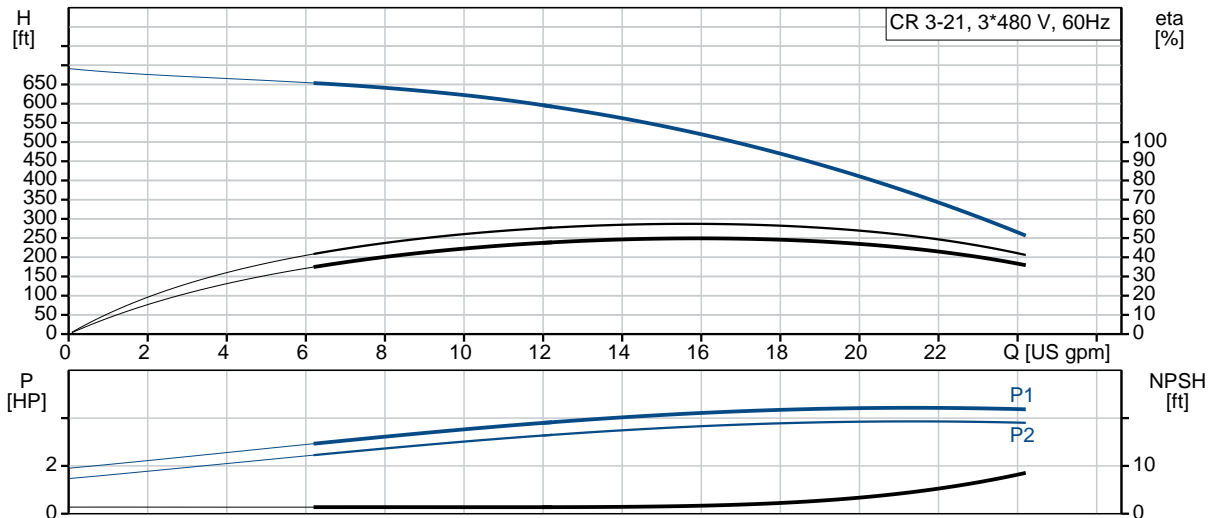


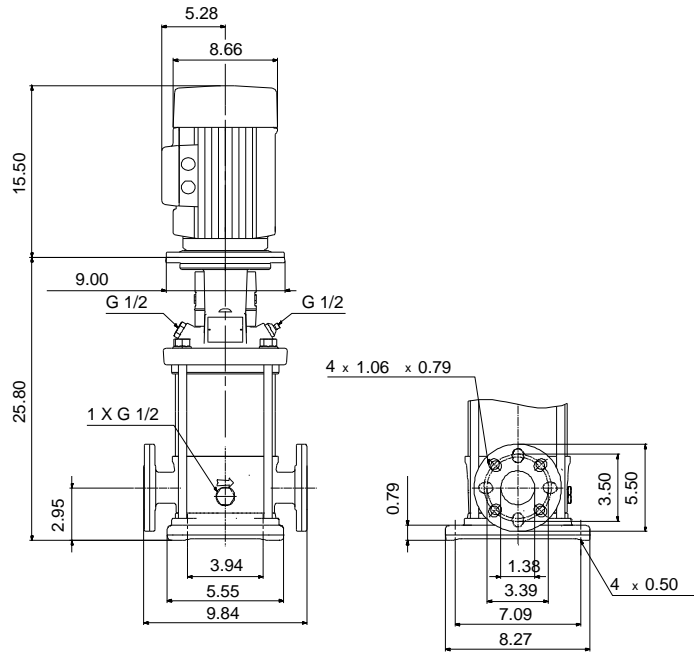
CR 3-21K-FGJ-A-E-HQQE

Vertical, multistage centrifugal pump with suction and discharge ports on the same level. The pump head and base are in cast iron. All other wetted parts are in stainless steel (EN 1.4301)(AISI 304)

Product photo could vary from the actual product

| Conditions of Service | Pump Data | Motor Data |
|-------------------------|--|----------------------------------|
| Flow: _____ | Max pressure at stated temperature: 363 psi / 250 °F | Rated power - P2: 5 HP |
| Head: _____ | Liquid temperature range: -4 .. 248 °F | Rated voltage: 208-230YY/460Y V |
| Efficiency: _____ | Maximum ambient temperature: 140 °F | Main frequency: 60 Hz |
| Liquid: Water | Approvals: CURUS | Enclosure class: 55 Dust/Jetting |
| Temperature: 68 °F | Shaft seal: HQQE | Insulation class: F |
| NPSH required: ft | Product number: On request | Motor protection: PTC |
| Viscosity: _____ | | Motor type: 112CA |
| Specific Gravity: 1.000 | | Motor_efficiency: 88.5 % |





Materials:

Base: Cast iron
 EN 1561 EN-GJL-200
 ASTM A48-25B

Impeller: Stainless steel
 AISI 304
 EN 1.4301

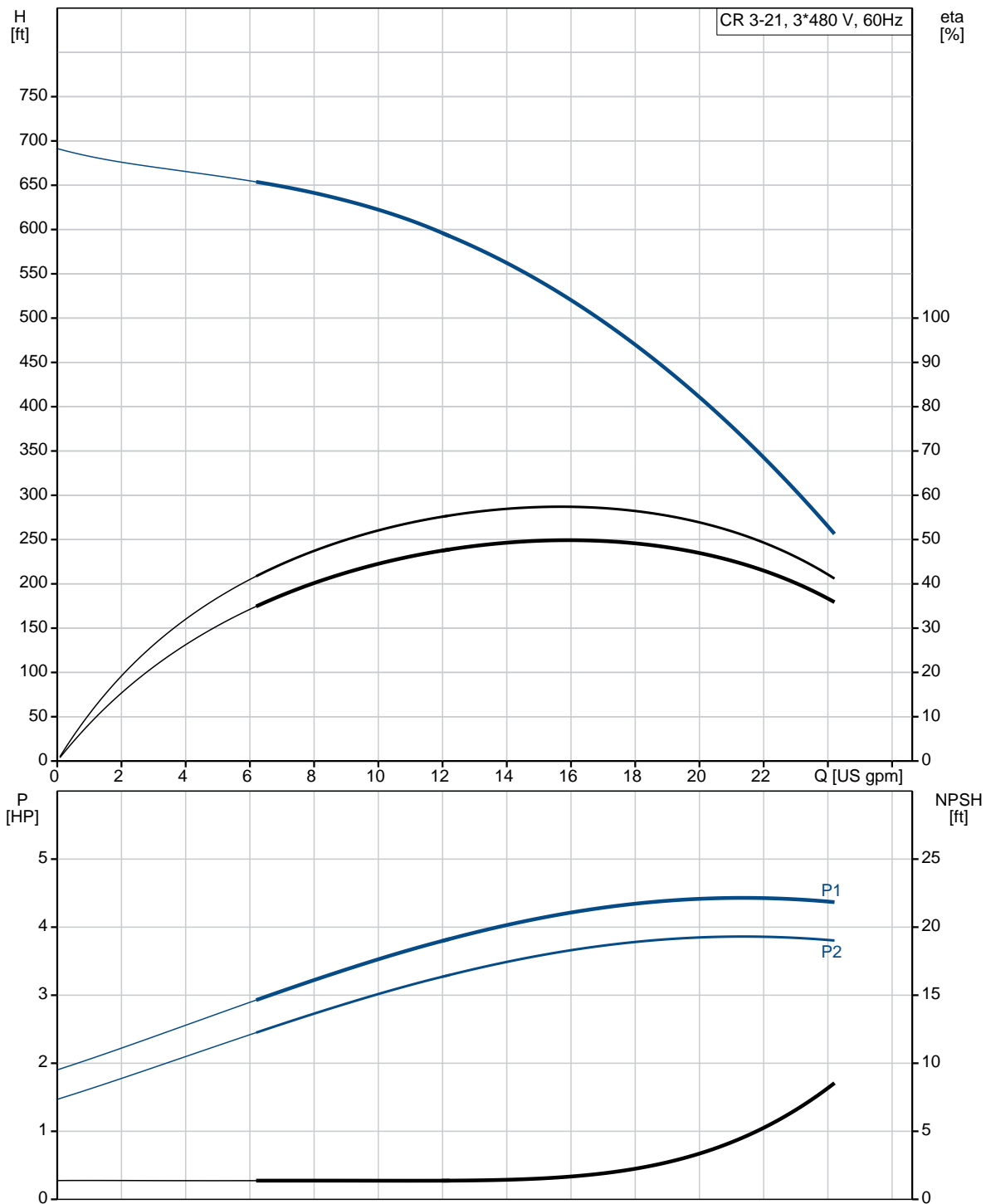
Material code: A
 Code for rubber: E



Company name:
Created by:
Phone:

Date: 5/14/2019

On request CR 3-21K-FGJ-A-E-HQQE 60 Hz

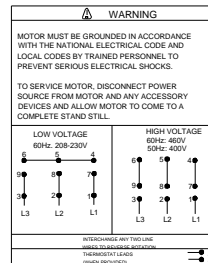
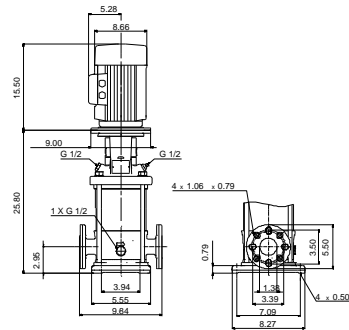
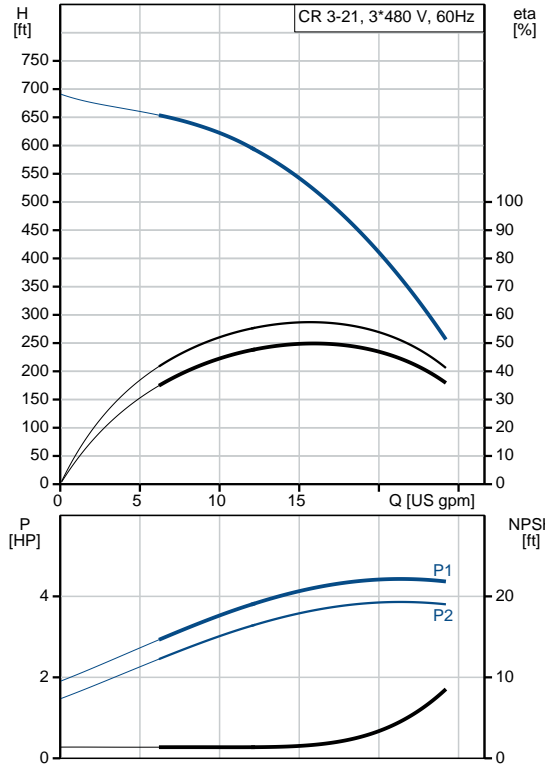




Company name:
Created by:
Phone:

Date: 5/14/2019

| Description | Value |
|---------------------------------------|---|
| General information: | |
| Product name: | CR 3-21K-FGJ-A-E-HQQE |
| Product No.: | On request |
| EAN: | On request |
| Technical: | |
| Rated pump speed: | 3461 rpm |
| Rated flow: | 15.4 US gpm |
| Rated head: | 497.1 ft |
| Head max: | 660.5 ft |
| Stages: | 21 |
| Impellers: | 21 |
| Number of reduced-diameter impellers: | 0 |
| Low NPSH: | Y |
| Pump orientation: | Vertical |
| Shaft seal arrangement: | Single |
| Code for shaft seal: | HQQE |
| Approvals on nameplate: | CURUS |
| Curve tolerance: | ISO9906:2012 3B |
| Pump version: | K |
| Model: | A |
| Cooling: | TEFC |
| Materials: | |
| Base: | Cast iron EN 1561 EN-GJL-200 ASTM A48-25B |
| Impeller: | Stainless steel EN 1.4301 AISI 304 |
| Material code: | A |
| Code for rubber: | E |
| Bearing: | SIC |
| Installation: | |
| Maximum ambient temperature: | 140 °F |
| Maximum operating pressure: | 362.59 psi |
| Max pressure at stated temperature: | 363 psi / 250 °F 363 psi / -4 °F |
| Type of connection: | DIN / ANSI / JIS |
| Size of inlet connection: | DN 25/32 |
| Size of suction port: | 1 1/4 inch |
| Size of outlet connection: | DN 25/32 |
| Size of outlet port: | 1 1/4 inch |
| Pressure rating for pipe connection: | PN 25 |
| Flange rating inlet: | 250 lb |
| Flange size for motor: | 182TC |
| Connect code: | FGJ |





Company name:

Created by:

Phone:

Date:

5/14/2019

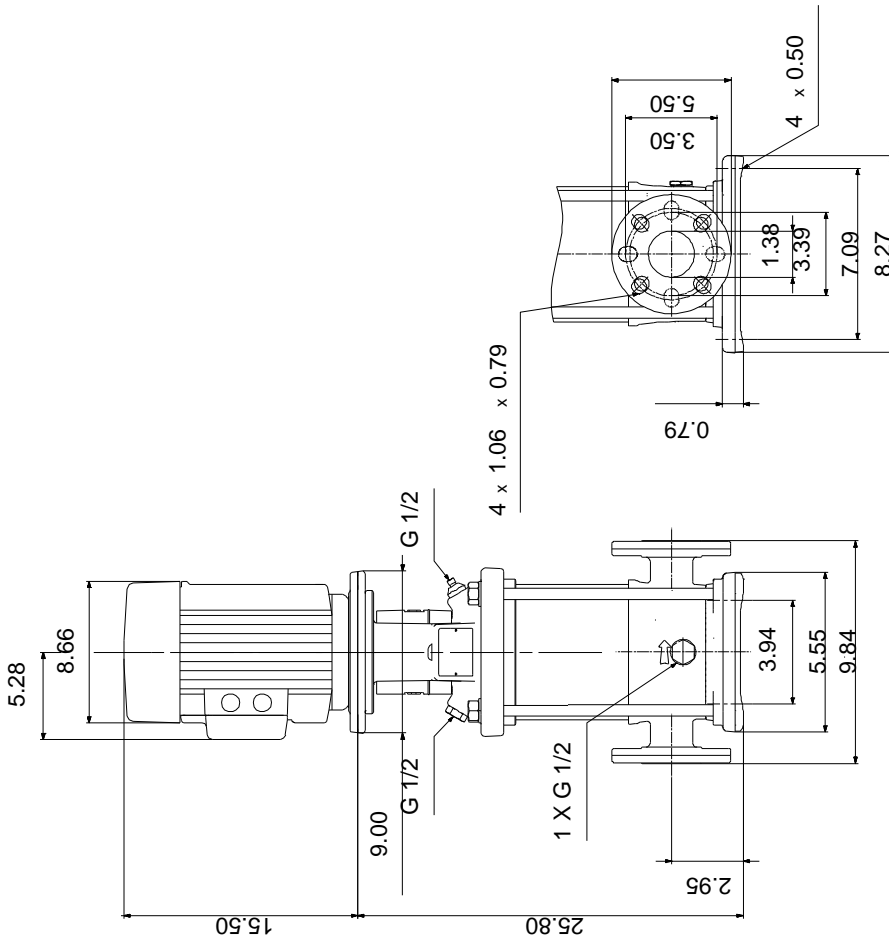
| Description | Value |
|--------------------------------|----------------------------|
| Liquid: | |
| Pumped liquid: | Water |
| Liquid temperature range: | -4 .. 248 °F |
| Selected liquid temperature: | 68 °F |
| Density: | 62.29 lb/ft ³ |
| Electrical data: | |
| Motor standard: | NEMA |
| Motor type: | 112CA |
| IE Efficiency class: | NEMA Premium / IE3 60Hz |
| Rated power - P2: | 5 HP |
| Power (P2) required by pump: | 5 HP |
| Main frequency: | 60 Hz |
| Rated voltage: | 3 x 208-230YY/460Y V |
| Service factor: | 1.15 |
| Rated current: | 14,1-13,1/7,29 A |
| Starting current: | 1000-1470 % |
| Load current: | 16,2-15,0/8,40 A |
| Cos phi - power factor: | 0.89-0.86 |
| Rated speed: | 3525-3540 rpm |
| IE efficiency: | IE3 88,5% |
| Motor efficiency at full load: | 88.5 % |
| Motor efficiency at 3/4 load: | 88.6 % |
| Motor efficiency at 1/2 load: | 85.2 % |
| Number of poles: | 2 |
| Enclosure class (IEC 34-5): | 55 Dust/Jetting |
| Insulation class (IEC 85): | F |
| Motor protection: | PTC |
| Motor Number: | 85904389 |
| Controls: | |
| Frequency converter: | NONE |
| Others: | |
| Net weight: | 150 lb |
| Gross weight: | 168 lb |
| Shipping volume: | 10.1 ft ³ |
| Country of origin: | US |
| Custom tariff no.: | 8413.70.2040 |



Company name:
Created by:
Phone:

Date: 5/14/2019

On request CR 3-21K-FGJ-A-E-HQQE 60 Hz



Note! All units are in [in] unless otherwise stated.
Disclaimer: This simplified dimensional drawing does not show all details.



Company name:
Created by:
Phone:

Date: 5/14/2019

On request CR 3-21K-FGJ-A-E-HQQE 60 Hz

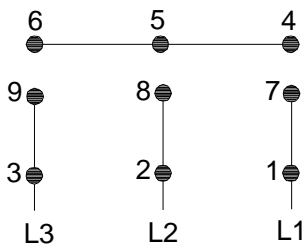


WARNING

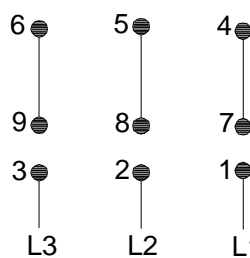
MOTOR MUST BE GROUNDED IN ACCORDANCE WITH THE NATIONAL ELECTRICAL CODE AND LOCAL CODES BY TRAINED PERSONNEL TO PREVENT SERIOUS ELECTRICAL SHOCKS.

TO SERVICE MOTOR, DISCONNECT POWER SOURCE FROM MOTOR AND ANY ACCESSORY DEVICES AND ALLOW MOTOR TO COME TO A COMPLETE STAND STILL.

LOW VOLTAGE
60Hz. 208-230V



HIGH VOLTAGE
60Hz: 460V
50Hz: 400V



96553852

INTERCHANGE ANY TWO LINE
WIRES TO REVERSE ROTATION
THERMOSTAT LEADS
(WHEN PROVIDED)



All units are [in] unless otherwise presented.