


| Count            | Description   |           |                            |            |                   |           |          |                  |        |
|------------------|---|-----------|----------------------------|------------|-------------------|-----------|----------|------------------|--------|
| 1                | <p><b>DDE 6-10</b></p>  <p>Product photo could vary from the actual product</p> <p>Product No.: <a href="#">99545144</a><br/>DDE 6-10 B-PP/E/C-X-31xxBG</p> <p>The SMART Digital DDE is a compact positive displacement, diaphragm dosing pump with variable-speed drive (stepper motor) and intelligent control electronics with minimum energy consumption. The SMART Digital Dosing series operates at full stroke length to ensure optimum accuracy, priming and suction, even for degassing liquids. The duration of each discharge stroke varies according to the capacity set, resulting in optimum smooth and continuous discharge flow.</p> <p>The click-stop mounting plate allows installation in three different positions without using any additional accessories. The dosing flow can be adjusted by means of an adjustment knob on a logarithmical scale from 0.1-100%.</p> <p>The dosing head is composed of:</p> <ul style="list-style-type: none"><li>- Long lifetime and universal chemical resistant Full-PTFE diaphragm.</li><li>- Double ball valves for highest dosing accuracy.</li><li>- Deaeration valve for easy start-up.</li></ul> <p>Operation modes:</p> <ul style="list-style-type: none"><li>- Manual dosing from 0.1 to 100%.</li></ul> <p>Other features:</p> <ul style="list-style-type: none"><li>- Mechanical lock to protect the pump against unauthorised access.</li></ul> <p>Installation set includes:</p> <ul style="list-style-type: none"><li>- 2 pump connections (Hose 3/8 OD. - Foot valve (without level switch).</li><li>- Injection unit.</li><li>- PE discharge hose.</li><li>- PVC suction hose.</li><li>- PVC deaeration hose.</li></ul> <p><b>Technical:</b></p> <table><tr><td>Type key:</td><td>DDE 6-10 B-PP/E/C-X-31xxBG</td></tr><tr><td>Max. Flow:</td><td>1.585 US gal/hour</td></tr><tr><td>Min flow:</td><td>6.0 ml/h</td></tr><tr><td>Turn-down ratio:</td><td>1:1000</td></tr></table> | Type key: | DDE 6-10 B-PP/E/C-X-31xxBG | Max. Flow: | 1.585 US gal/hour | Min flow: | 6.0 ml/h | Turn-down ratio: | 1:1000 |
| Type key:        | DDE 6-10 B-PP/E/C-X-31xxBG  |           |                            |            |                   |           |          |                  |        |
| Max. Flow:       | 1.585 US gal/hour   |           |                            |            |                   |           |          |                  |        |
| Min flow:        | 6.0 ml/h  |           |                            |            |                   |           |          |                  |        |
| Turn-down ratio: | 1:1000  |           |                            |            |                   |           |          |                  |        |



Company name:

Created by:

Phone:

Date:

6/13/2019

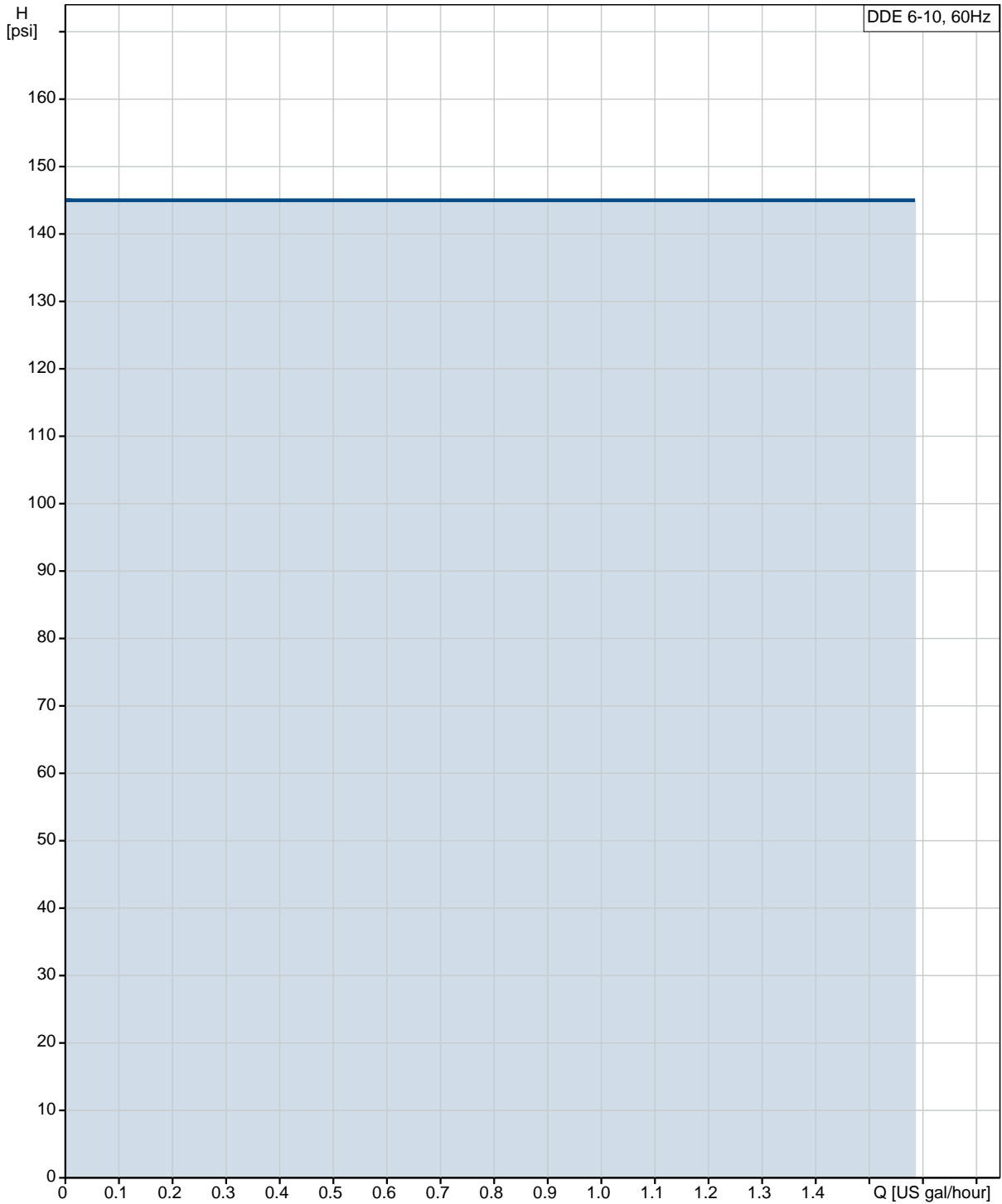
| Count | Description  |
|-------|--|
|       | Approvals on nameplate: CE,CSA-US,RCM<br>Valve type: Standard<br>Maximum viscosity at 100 %: 50 mPas<br>Maximum viscosity in slow mode 50 %: N/A mPas<br>Maximum viscosity in slow mode 25 %: N/A mPas<br>Accuracy of repeatability: 5 %   |
|       | <b>Materials:</b><br>Dosing head: PP (Polypropylene)<br>Valve ball: Ceramic<br>Gasket: EPDM  |
|       | <b>Installation:</b><br>Range of ambient temperature: 32 .. 113 °F<br>Maximum operating pressure: 145.04 psi<br>Installation set: YES<br>Installation type: up to 7,5 l/h,16bar<br>Pump inlet: Hose 3/8 OD<br>Pump outlet: Hose 3/8 OD<br>Max. Suction lift during operation: 19.7 ft<br>Max. Suction lift during priming: 6.56 ft |
|       | <b>Liquid:</b><br>Pumped liquid: Water<br>Liquid temperature range: 14 .. 113 °F<br>Selected liquid temperature: 68 °F<br>Density: 62.29 lb/ft <sup>3</sup>  |
|       | <b>Electrical data:</b><br>Maximum power input - P1: 19 W<br>Main frequency: 60 Hz<br>Rated voltage: 1 x 100-240 V<br>Enclosure class (IEC 34-5): IP65 / NEMA 4X<br>Length of cable: 4.92 ft<br>Type of cable plug: USA, Canada<br>Inrush current: 25A at 230V for 2ms   |
|       | <b>Controls:</b><br>Control variant: B<br>Ext. Stop input: NO<br>Output relays: NO   |
|       | <b>Others:</b><br>Net weight: 4.41 lb<br>Gross weight: 6.62 lb   |



Company name:  
Created by:  
Phone:

Date: 6/13/2019

### 99545144 DDE 6-10 60 Hz





Company name:

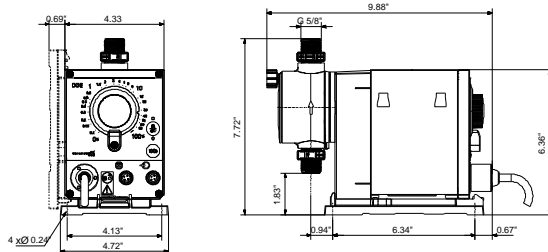
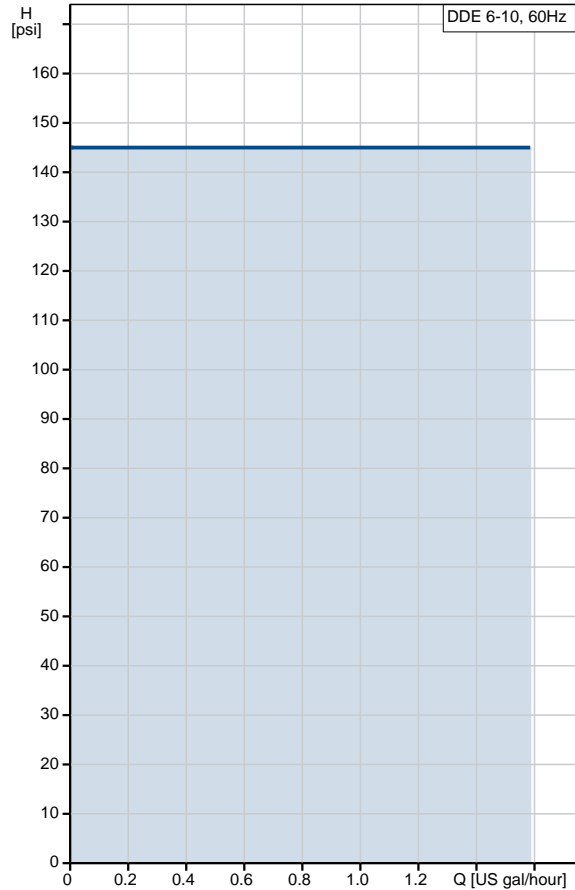
Created by:

Phone:

Date:

6/13/2019

| Description                          | Value                         |
|--------------------------------------|-------------------------------|
| <b>General information:</b>          |                               |
| Product name:                        | DDE 6-10                      |
| Product No.:                         | 99545144                      |
| EAN:                                 | 5710622711721                 |
| <b>Technical:</b>                    |                               |
| Type key:                            | DDE 6-10<br>B-PP/E/C-X-31xxBG |
| Max. Flow:                           | 1.585 US gal/hour             |
| Min flow:                            | 6.0 ml/h                      |
| Turn-down ratio:                     | 1:1000                        |
| Approvals on nameplate:              | CE,CSA-US,RCM                 |
| Valve type:                          | Standard                      |
| Maximum viscosity at 100 %:          | 50 mPas                       |
| Maximum viscosity in slow mode 50 %: | N/A mPas                      |
| Maximum viscosity in slow mode 25 %: | N/A mPas                      |
| Accuracy of repeatability:           | 5 %                           |
| <b>Materials:</b>                    |                               |
| Dosing head:                         | PP (Polypropylene)            |
| Valve ball:                          | Ceramic                       |
| Gasket:                              | EPDM                          |
| <b>Installation:</b>                 |                               |
| Range of ambient temperature:        | 32 .. 113 °F                  |
| Maximum operating pressure:          | 145.04 psi                    |
| Installation set:                    | YES                           |
| Installation type:                   | up to 7,5 l/h,16bar           |
| Pump inlet:                          | Hose 3/8 OD                   |
| Pump outlet:                         | Hose 3/8 OD                   |
| Max. Suction lift during operation:  | 19.7 ft                       |
| Max. Suction lift during priming:    | 6.56 ft                       |
| <b>Liquid:</b>                       |                               |
| Pumped liquid:                       | Water                         |
| Liquid temperature range:            | 14 .. 113 °F                  |
| Selected liquid temperature:         | 68 °F                         |
| Density:                             | 62.29 lb/ft <sup>3</sup>      |
| <b>Electrical data:</b>              |                               |
| Maximum power input - P1:            | 19 W                          |
| Main frequency:                      | 60 Hz                         |
| Rated voltage:                       | 1 x 100-240 V                 |
| Enclosure class (IEC 34-5):          | IP65 / NEMA 4X                |
| Length of cable:                     | 4.92 ft                       |
| Type of cable plug:                  | USA, Canada                   |
| Inrush current:                      | 25A at 230V for 2ms           |
| <b>Controls:</b>                     |                               |
| Control variant:                     | B                             |
| Ext. Stop input:                     | NO                            |
| Output relays:                       | NO                            |





Company name:  
Created by:  
Phone:

Date: 6/13/2019

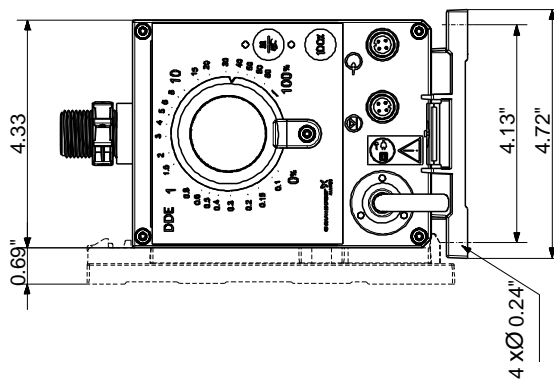
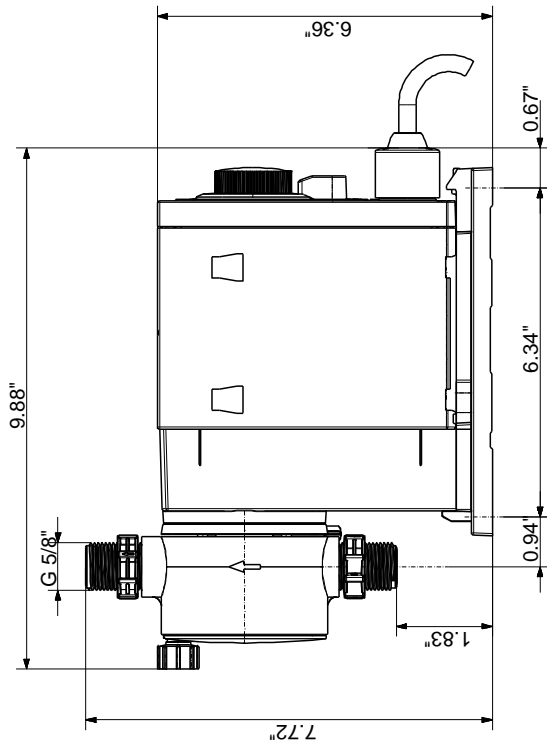
| Description    | Value   |
|----------------|---------|
| <b>Others:</b> |         |
| Net weight:    | 4.41 lb |
| Gross weight:  | 6.62 lb |



Company name:  
Created by:  
Phone:

Date: 6/13/2019

## 99545144 DDE 6-10 60 Hz



Note! All units are in [in] unless otherwise stated.  
Disclaimer: This simplified dimensional drawing does not show all details.