

|              |             |          |
|--------------|-------------|----------|
| Customer     | Date        | 6/6/2019 |
| Contact      | Project     |          |
| Phone number | Project no. |          |
| Email        |             |          |



# 1SV13GD4F60

## Operating Data

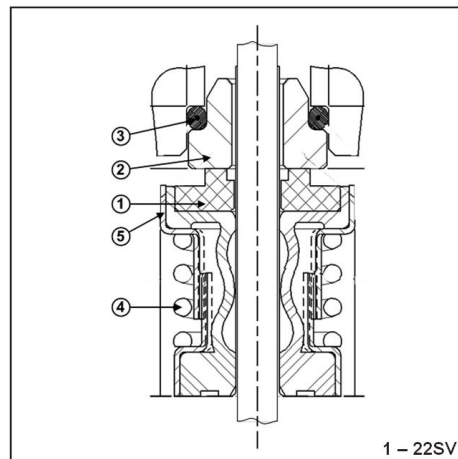
|                           |                   |                           |                             |
|---------------------------|-------------------|---------------------------|-----------------------------|
| Pump type                 | Multi-Stage Pumps | Fluid                     | Water                       |
| No. of pumps / Reserve    | 1 / 0             | Operating temperature t A | °F 39.2                     |
| Nominal flow              | US g.p.m. 0       | pH-value at t A           | 7                           |
| Nominal head              | ft 0              | Density at t A            | lb/ft <sup>3</sup> 62.4     |
| Static head               | ft 0              | Kin. viscosity at t A     | ft <sup>2</sup> /s 1.689E-5 |
| Inlet pressure            | psi 0             | Vapor pressure at t A     | psi 14.5                    |
| Environmental temperature | °F 68             | Solids                    | 0                           |
| Available system NPSH     | ft 0              | Altitude                  | ft 0                        |

## Pump Data

|                       |                         |                  |                     |
|-----------------------|-------------------------|------------------|---------------------|
| Make                  | Goulds Water Technology | Nominal          | US g.p.m. ( )       |
| Speed                 | rpm 3500                | Flow             | Max- US g.p.m. 12.4 |
| Number of stages      | 13                      |                  | Min- US g.p.m.      |
| Max. working pressure | psi 156.2               | Nominal          | ft                  |
| Head H(Q=0)           | ft 360                  | Head             | at Qmax ft 208.7    |
| Weight                | lb 97                   |                  | at Qmin ft 360.2    |
|                       | Max. inch 0             | Shaft power      | hp ( )              |
| Impeller R            | Designed inch 0         | Max. shaft power | hp 1.5              |
|                       | Min. inch 0             | Efficiency       | %                   |
|                       |                         | NPSH 3%          | ft                  |

## Shaft Seal

|                      |                                 |
|----------------------|---------------------------------|
| Single Seal          | Xylem                           |
| Mechanical Seals     |                                 |
| 1 - Rotating Face    | Carbon                          |
| 2 - Stationary Face  | Silicon Carbide Graphite Filled |
| 3 - Elastomers       | Viton                           |
| 4 - Spring           | 316SS                           |
| 5 - Metal Components | 316SS                           |



## Motor Data

|                 |                             |                  |       |                      |          |                  |          |
|-----------------|-----------------------------|------------------|-------|----------------------|----------|------------------|----------|
| Manufacturer    | Baldor                      | Electric voltage | 208 V | Speed                | 3450 rpm | Insulation class | F        |
| Specific design | 3ph TPE                     |                  |       | Frame size           | 56C      | Colour           | RAL 5010 |
| Type            | 208-230/460V 56C (V07742PE) |                  |       | Degree of protection | IP 55    |                  |          |
| Rated power     | 1.5 hp                      | Electric current | 4.3 A |                      |          |                  |          |

## Remarks:

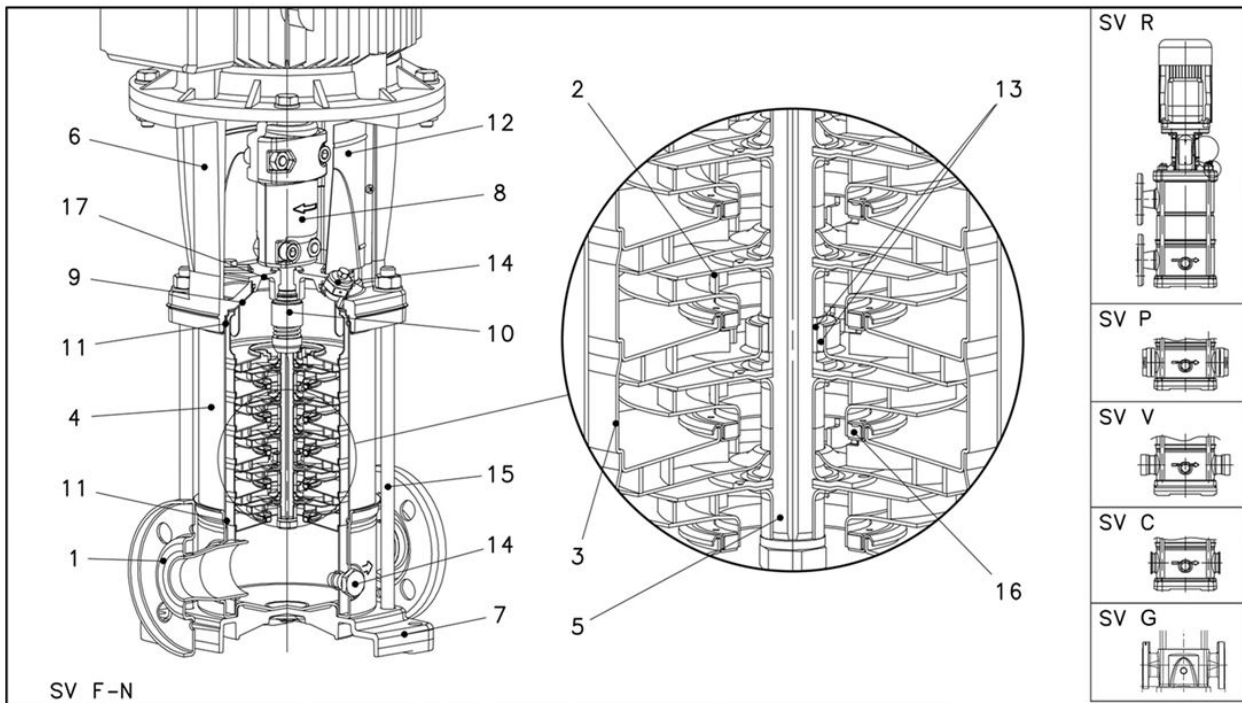
|              |             |          |
|--------------|-------------|----------|
| Customer     | Date        | 6/6/2019 |
| Contact      | Project     |          |
| Phone number | Project no. |          |
| Email        |             |          |



# 1SV13GD4F60

## Pump Materials

|                               |   |
|-------------------------------|---|
| 1 - Pump Body                 | Cast Iron (ASTM Class 35/40B)             |
| 2 - Impeller                  | Stainless Steel (AISI 304)                |
| 3 - Diffuser                  | Stainless Steel (AISI 304)                |
| 4 - Casing                    | Stainless Steel (AISI 316L)               |
| 5 - Shaft                     | Stainless Steel (AISI 316)                |
| 6 - Adapter                   | Cast Iron (ASTM Class 35/40B)             |
| 7 - Base                      | N/A                                       |
| 8 - Coupling                  | Aluminum (A384.0-F)                       |
| 9 - Seal Plate                | Stainless Steel (AISI 316L)               |
| 12 - Coupling Guard           | Stainless Steel (AISI 304)                |
| 13 - Shaft Sleeve and Bushing | Tungsten carbide                          |
| 14 - Fill/Drain Plugs         | Stainless Steel (AISI 316)                |
| 15 - Tie Rods                 | Carbon Steel / Zinc Plated (A29 Gr. 1045) |
| 16 - Wear Ring                | PPS                                       |
| 17 - Seal Gland               | Stainless Steel (AISI 316)                |



Remarks:

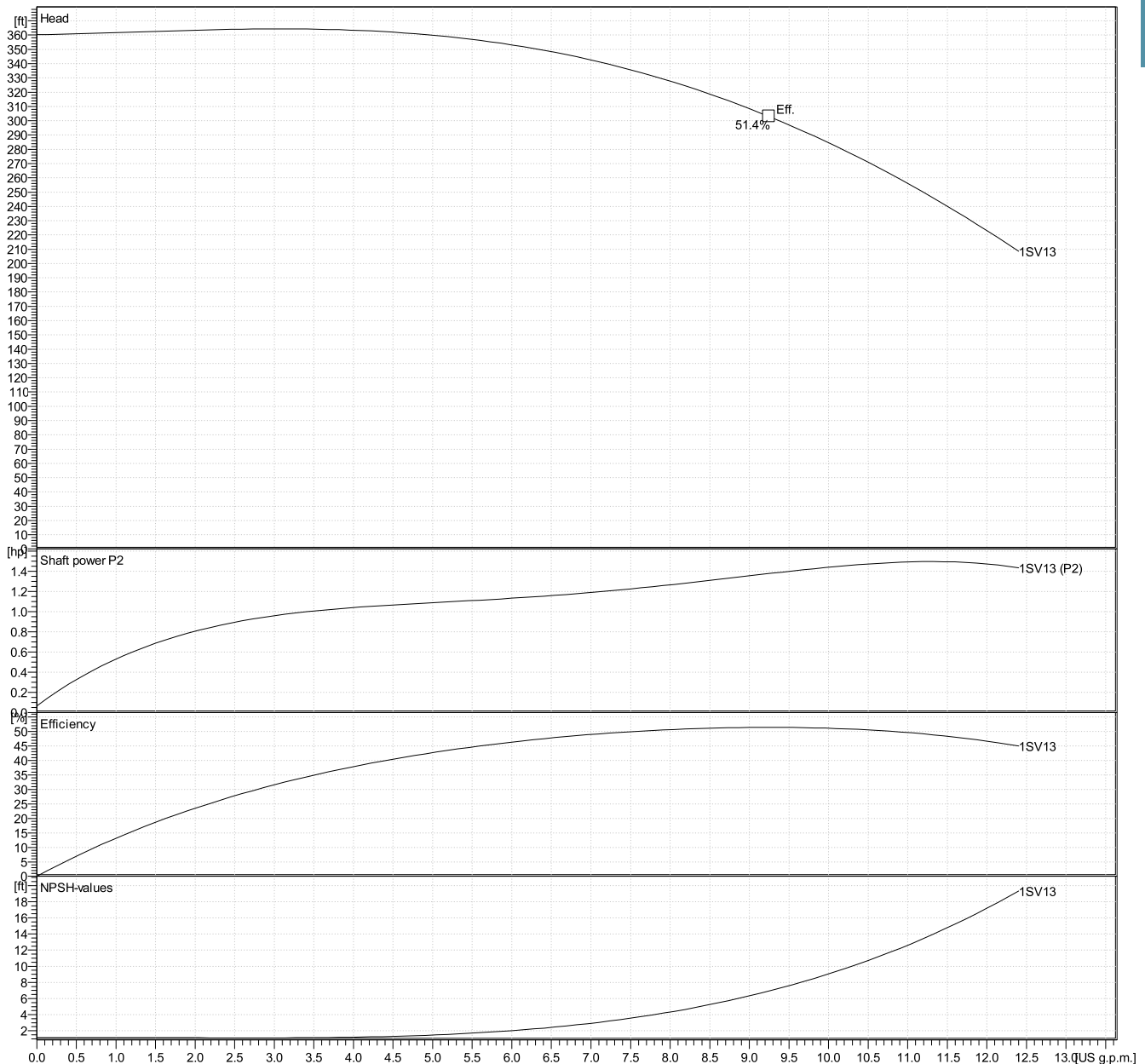
|              |             |          |
|--------------|-------------|----------|
| Customer     | Date        | 6/6/2019 |
| Contact      | Project     |          |
| Phone number | Project no. |          |
| Email        |             |          |

## 1SV13GD4F60

### Hydraulic Data

| Operating Data Specification |             | Hydraulic data (duty point) |  | Impeller design |          |
|------------------------------|-------------|-----------------------------|--|-----------------|----------|
| Flow                         | 0 US g.p.m. | Flow                        |  | Impeller R      | "        |
| Head                         | 0 ft        | Head                        |  | Frequency       | 60 Hz    |
| Static head                  | 0 ft        |                             |  | Speed           | 3500 rpm |

Power datas referred to:  
 Water [100%] ; 39.2°F; 62.4lb/ft<sup>3</sup>; 1.69E-5ft<sup>2</sup>/s  
 Performance according to ISO 9906 - Annex A



|              |             |          |
|--------------|-------------|----------|
| Customer     | Date        | 6/6/2019 |
| Contact      | Project     |          |
| Phone number | Project no. |          |
| Email        |             |          |

## 1SV13GD4F60

### Drawing



### Dimensions inch

|        |                                 |            |     |  |  |        |           |
|--------|---------------------------------|------------|-----|--|--|--------|-----------|
| D1 max | 7 <sup>3</sup> / <sub>16</sub>  | NEMA Frame | 56C |  |  | Weight | 96.511 lb |
| D2     | 6 <sup>1</sup> / <sub>2</sub>   |            |     |  |  |        |           |
| L1     | 21 <sup>1</sup> / <sub>8</sub>  |            |     |  |  |        |           |
| L2     | 10 <sup>9</sup> / <sub>16</sub> |            |     |  |  |        |           |
| L3     | 21 <sup>1</sup> / <sub>8</sub>  |            |     |  |  |        |           |
| L4     | 12 <sup>7</sup> / <sub>8</sub>  |            |     |  |  |        |           |
| L5     | 20 <sup>3</sup> / <sub>16</sub> |            |     |  |  |        |           |
| L6     | 20 <sup>3</sup> / <sub>16</sub> |            |     |  |  |        |           |
| M. Ref | 6 <sup>15</sup> / <sub>16</sub> |            |     |  |  |        |           |