

|                       |                        |                 |
|-----------------------|------------------------|-----------------|
| PROJECT: _____        | UNIT TAG: _____        | QUANTITY: _____ |
| REPRESENTATIVE: _____ | TYPE OF SERVICE: _____ | DATE: _____     |
| ENGINEER: _____       | SUBMITTED BY: _____    | DATE: _____     |
| CONTRACTOR: _____     | APPROVED BY: _____     | DATE: _____     |
|                       | ORDER NO.: _____       | DATE: _____     |

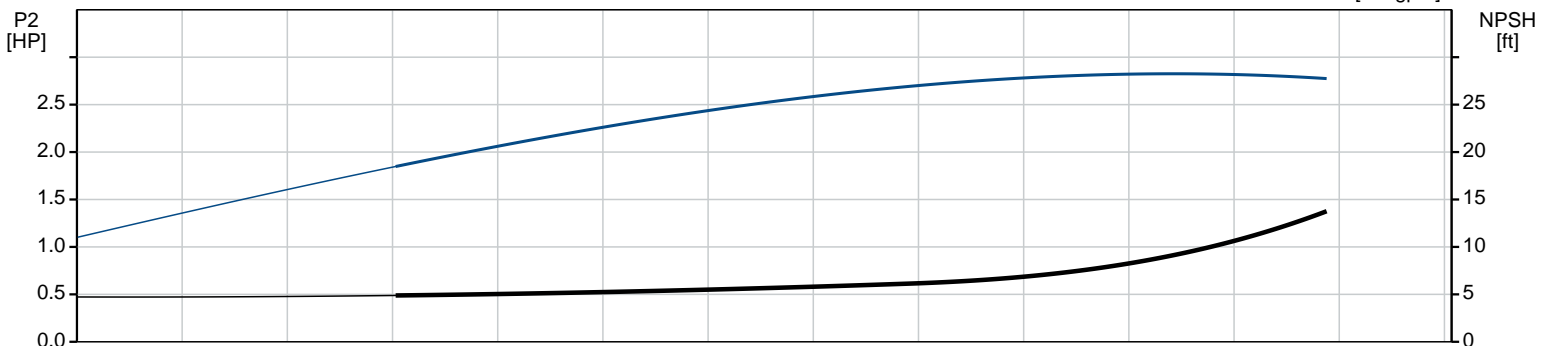
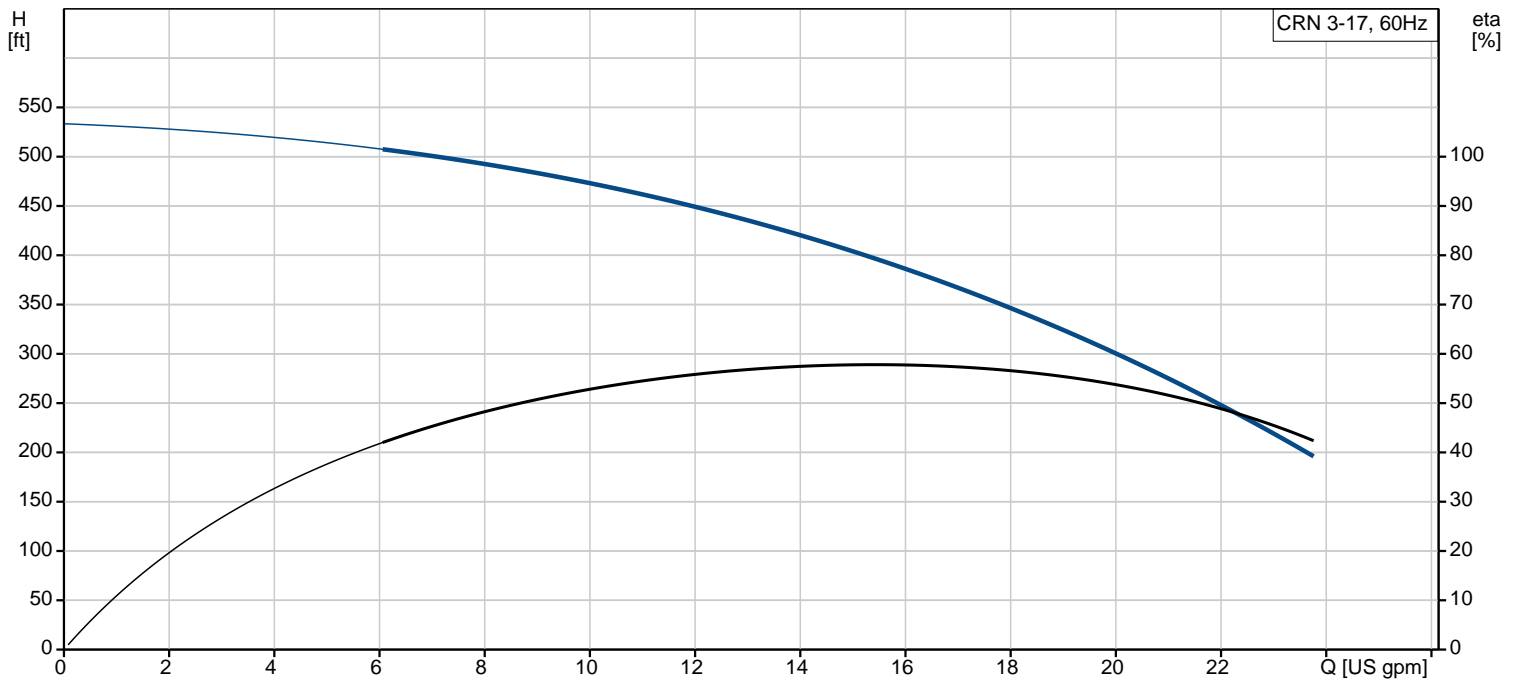
## CRN 3-17 A-FGJ-A-V-HQQV

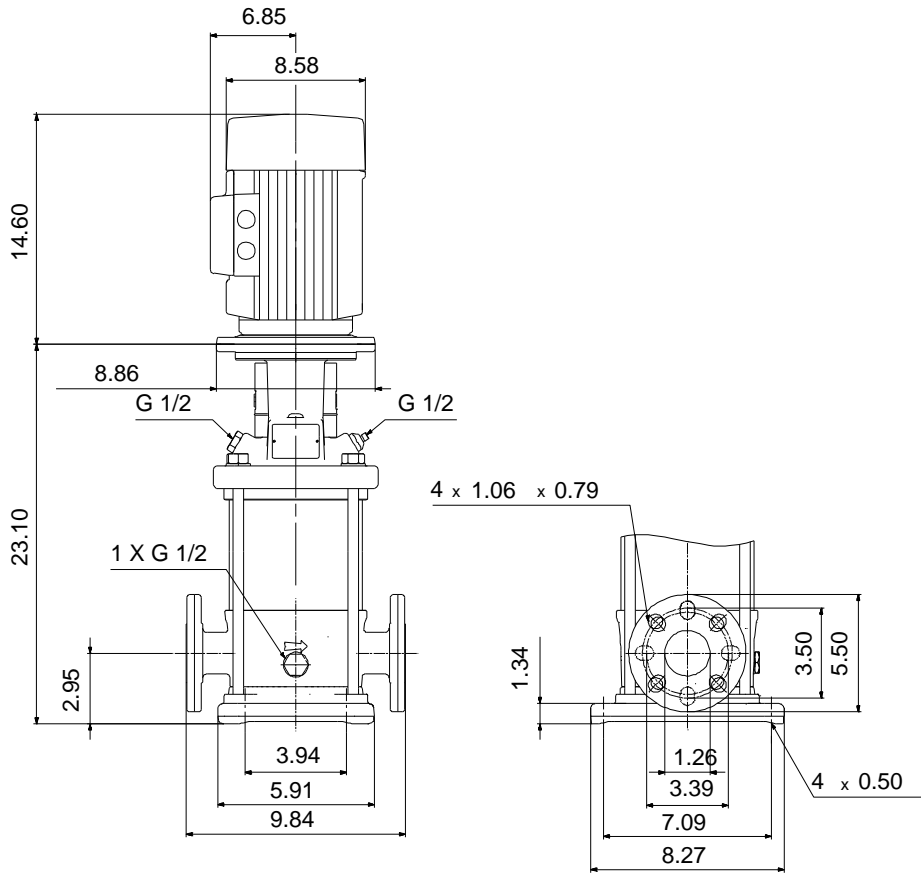
Vertical, multistage centrifugal pump with suction and discharge ports on same the level. Pump materials in contact with the liquid are in high-grade stainless steel (EN 1.4401) (AISI 316)



Product photo could vary from the actual product


| Conditions of Service   | Pump Data  | Motor Data                   |
|-------------------------|--|------------------------------|
| Flow: _____             | Max pressure at stated temperature: 363 psi / 194 °F | Rated power - P2: 3 HP       |
| Head: _____             | Liquid temperature range: -4 .. 194 °F               | Rated voltage: 115/208-230 V |
| Efficiency: _____       | Maximum ambient temperature: 104 °F                  | Main frequency: 60 Hz        |
| Liquid: Water           | Approvals: CURUS                                     | Insulation class: F          |
| Temperature: 68 °F      | Shaft seal: HQQV                                     | Motor protection: NONE       |
| NPSH required: ft       | Product number: 96084035                             | Motor type: Baldor           |
| Viscosity: _____        |  |                              |
| Specific Gravity: 1.000 |  |                              |





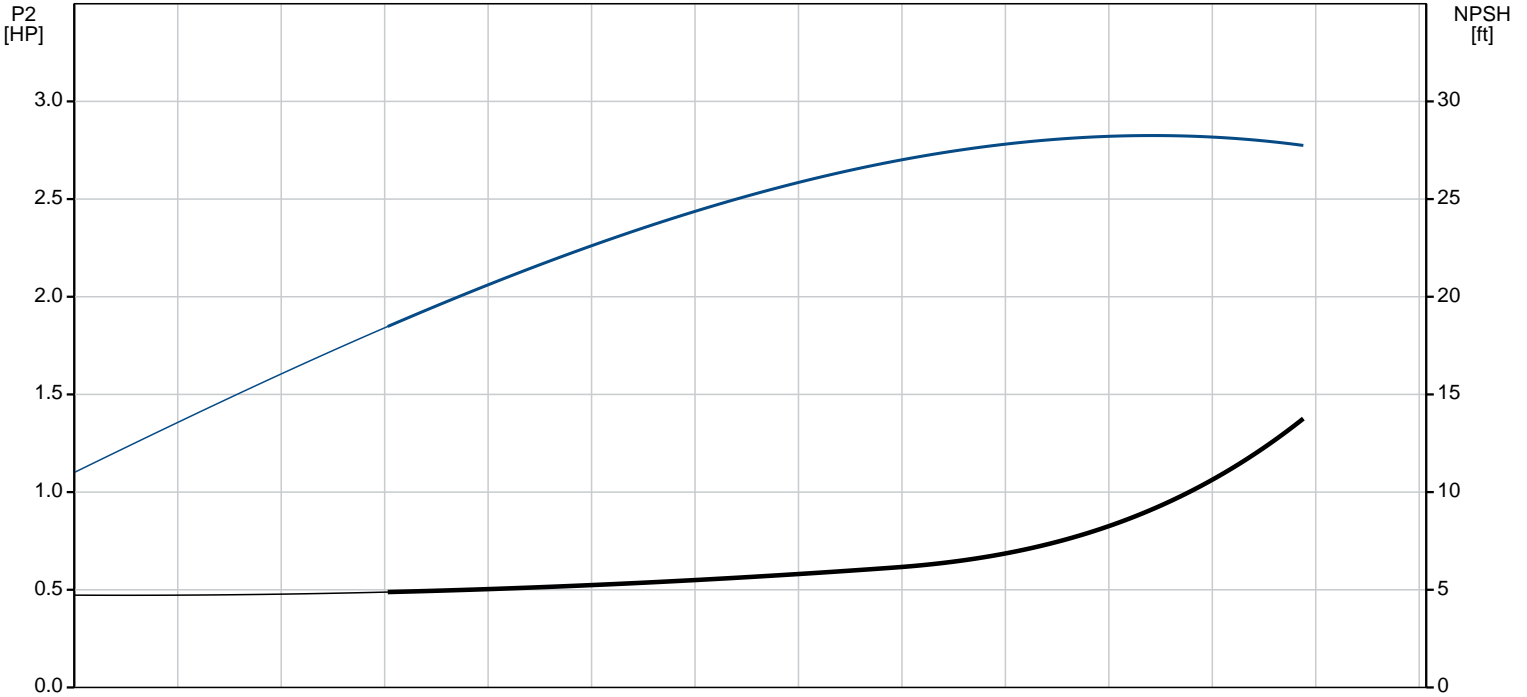
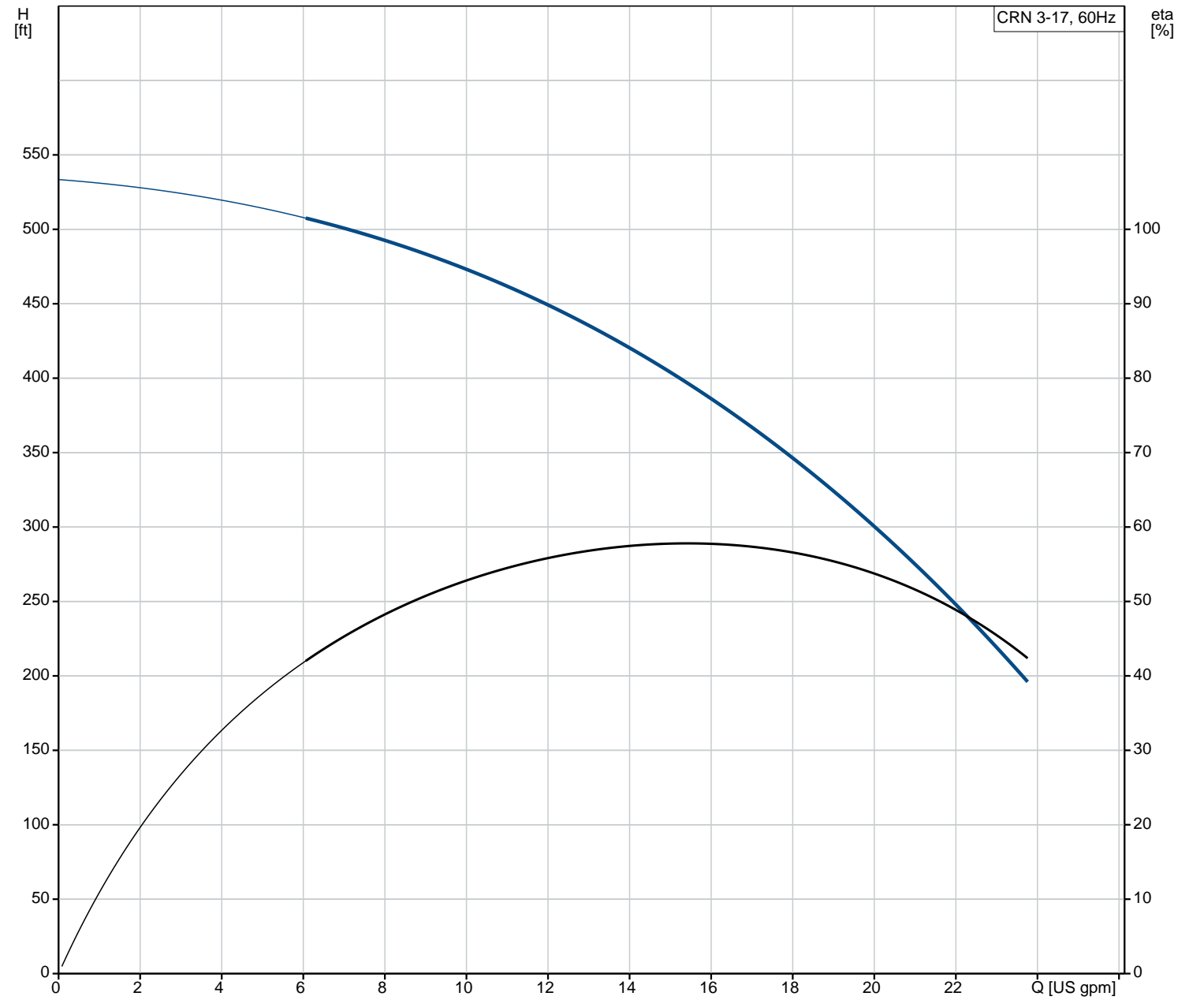
**Materials:**

- Base: Stainless steel  
EN 1.4408  
AISI 316
- Impeller: Stainless steel  
AISI 316  
EN 1.4401
- Material code: A
- Code for rubber: V

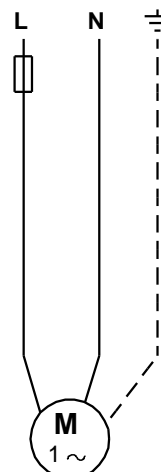
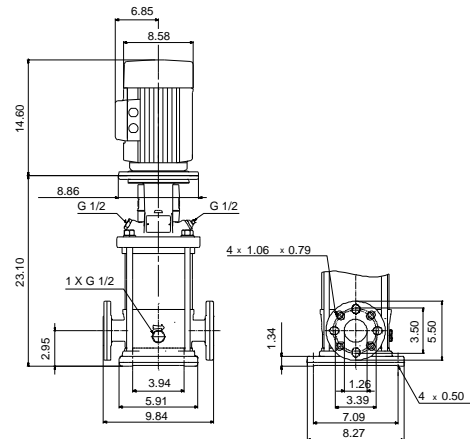
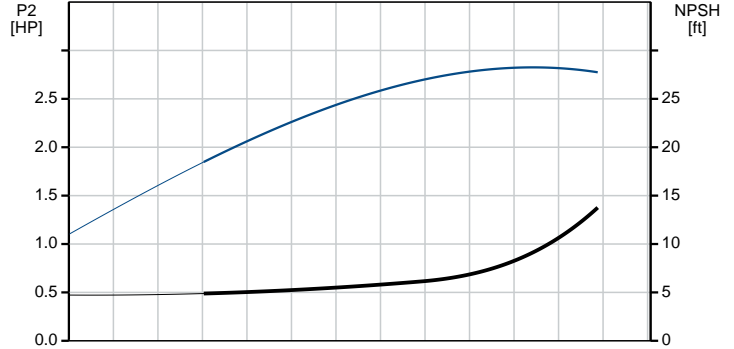
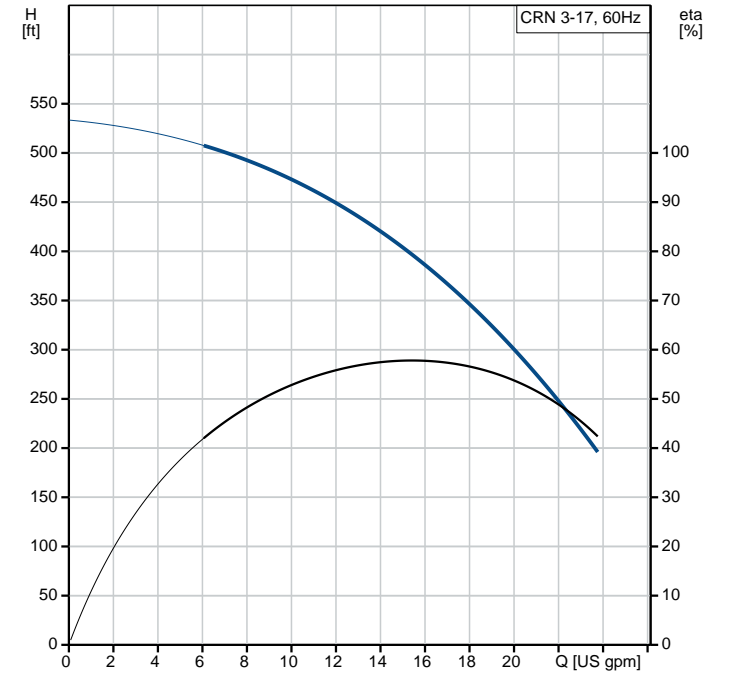
| Count | Description  |
|-------|--|
| 1     | <p data-bbox="113 230 437 253"><b>CRN 3-17 A-FGJ-A-V-HQQV</b></p> <div data-bbox="264 264 341 510" style="text-align: center;">  </div> <p data-bbox="113 551 376 573">Product No.: <a href="#">96084035</a></p> <p data-bbox="113 580 635 663">Vertical, non-self-priming, multistage, in-line, centrifugal pump for installation in pipe systems and mounting on a foundation.</p> <p data-bbox="113 698 668 960">The pump has the following characteristics:</p> <ul style="list-style-type: none"> <li>- Impellers, intermediate chambers and outer sleeve are made of</li> <li>- Pump head cover and base are made of</li> <li>- The shaft seal has assembly length according to EN 12756.</li> <li>- Power transmission is via cast iron split coupling flanges/couplings.</li> </ul> <p data-bbox="113 994 485 1016">The motor is a 1-phase AC motor.</p> <p data-bbox="113 1055 225 1077"><b>Controls:</b></p> <p data-bbox="113 1084 547 1106">Frequency converter: NONE</p> <p data-bbox="113 1144 196 1167"><b>Liquid:</b></p> <p data-bbox="113 1173 600 1285">Pumped liquid: Water<br/>Liquid temperature range: -4 .. 194 °F<br/>Selected liquid temperature: 68 °F<br/>Density: 62.29 lb/ft<sup>3</sup></p> <p data-bbox="113 1323 236 1346"><b>Technical:</b></p> <p data-bbox="113 1352 675 1585">Rated pump speed: 3457 rpm<br/>Rated flow: 15.4 US gpm<br/>Rated head: 397 ft<br/>Pump orientation: Vertical<br/>Shaft seal arrangement: Single<br/>Code for shaft seal: HQQV<br/>Approvals on nameplate: CURUS<br/>Curve tolerance: ISO9906:2012 3B</p> <p data-bbox="113 1624 228 1646"><b>Materials:</b></p> <p data-bbox="113 1653 638 1854">Base: Stainless steel<br/>EN 1.4408<br/>AISI 316<br/>Impeller: Stainless steel<br/>EN 1.4401<br/>AISI 316<br/>Bearing: SIC</p> <p data-bbox="113 1892 252 1915"><b>Installation:</b></p> <p data-bbox="113 1921 715 2210">Maximum ambient temperature: 104 °F<br/>Maximum operating pressure: 362.59 psi<br/>Max pressure at stated temperature: 363 psi / 194 °F<br/>363 psi / -4 °F<br/>Type of connection: DIN / ANSI / JIS<br/>Size of inlet connection: DN 25/32<br/>Size of suction port: 1 1/4 inch<br/>Size of outlet connection: DN 25/32<br/>Size of outlet port: 1 1/4 inch<br/>Pressure rating for pipe connection: PN 25</p> |

| Count | Description                           |
|-------|---------------------------------------|
|       | Flange rating inlet: 300 lb           |
|       | Flange size for motor: 182TC          |
|       | <b>Electrical data:</b>               |
|       | Motor standard: NEMA                  |
|       | Motor type: Baldor                    |
|       | Rated power - P2: 3 HP                |
|       | Power (P2) required by pump: 3 HP     |
|       | Main frequency: 60 Hz                 |
|       | Rated voltage: 1 x 115/208-230 V      |
|       | Service factor: 1.15                  |
|       | Rated current: 29/16-14,5 A           |
|       | Rated speed: 3450 rpm                 |
|       | Number of poles: 2                    |
|       | Insulation class (IEC 85): F          |
|       | Motor Number: 84Z04014                |
|       | <b>Others:</b>                        |
|       | Net weight: 122 lb                    |
|       | Gross weight: 137 lb                  |
|       | Shipping volume: 10.1 ft <sup>3</sup> |
|       | Country of origin: US                 |
|       | Custom tariff no.: 8413.70.2040       |

## 96084035 CRN 3-17 A-FGJ-A-V-HQQV 60 Hz



| Description                           | Value                                    |
|---------------------------------------|--|
| <b>General information:</b>           |  |
| Product name:                         | CRN 3-17 A-FGJ-A-V-HQQV                  |
| Product No.:                          | 96084035                                 |
| EAN:                                  | 5700395181630                            |
| <b>Technical:</b>                     |  |
| Rated pump speed:                     | 3457 rpm                                 |
| Rated flow:                           | 15.4 US gpm                              |
| Rated head:                           | 397 ft                                   |
| Head max:                             | 533.5 ft                                 |
| Stages:                               | 17                                       |
| Impellers:                            | 17                                       |
| Number of reduced-diameter impellers: | 0  |
| Low NPSH:                             | N  |
| Pump orientation:                     | Vertical                                 |
| Shaft seal arrangement:               | Single                                   |
| Code for shaft seal:                  | HQQV                                     |
| Approvals on nameplate:               | CURUS                                    |
| Curve tolerance:                      | ISO9906:2012 3B                          |
| Pump version:                         | A  |
| Model:                                | A  |
| Cooling:                              | TEFC                                     |
| <b>Materials:</b>                     |  |
| Base:                                 | Stainless steel<br>EN 1.4408<br>AISI 316 |
| Impeller:                             | Stainless steel<br>EN 1.4401<br>AISI 316 |
| Material code:                        | A  |
| Code for rubber:                      | V  |
| Bearing:                              | SIC                                      |
| <b>Installation:</b>                  |  |
| Maximum ambient temperature:          | 104 °F                                   |
| Maximum operating pressure:           | 362.59 psi                               |
| Max pressure at stated temperature:   | 363 psi / 194 °F<br>363 psi / -4 °F      |
| Type of connection:                   | DIN / ANSI / JIS                         |
| Size of inlet connection:             | DN 25/32                                 |
| Size of suction port:                 | 1 1/4 inch                               |
| Size of outlet connection:            | DN 25/32                                 |
| Size of outlet port:                  | 1 1/4 inch                               |
| Pressure rating for pipe connection:  | PN 25                                    |
| Flange rating inlet:                  | 300 lb                                   |
| Flange size for motor:                | 182TC                                    |
| Connect code:                         | FGJ                                      |
| <b>Liquid:</b>                        |  |
| Pumped liquid:                        | Water                                    |
| Liquid temperature range:             | -4 .. 194 °F                             |
| Selected liquid temperature:          | 68 °F                                    |
| Density:                              | 62.29 lb/ft³                             |
| <b>Electrical data:</b>               |  |
| Motor standard:                       | NEMA                                     |
| Motor type:                           | Baldor                                   |
| Rated power - P2:                     | 3 HP                                     |
| Power (P2) required by pump:          | 3 HP                                     |
| Main frequency:                       | 60 Hz                                    |
| Rated voltage:                        | 1 x 115/208-230 V                        |
| Service factor:                       | 1.15                                     |
| Rated current:                        | 29/16-14,5 A                             |
| Load current:                         | 31,8/18-16,9 A                           |
| Rated speed:                          | 3450 rpm                                 |
| Number of poles:                      | 2  |
| Insulation class (IEC 85):            | F  |
| Motor protection:                     | NONE                                     |
| Motor Number:                         | 84Z04014                                 |
| <b>Controls:</b>                      |  |





Company name:

Created by:

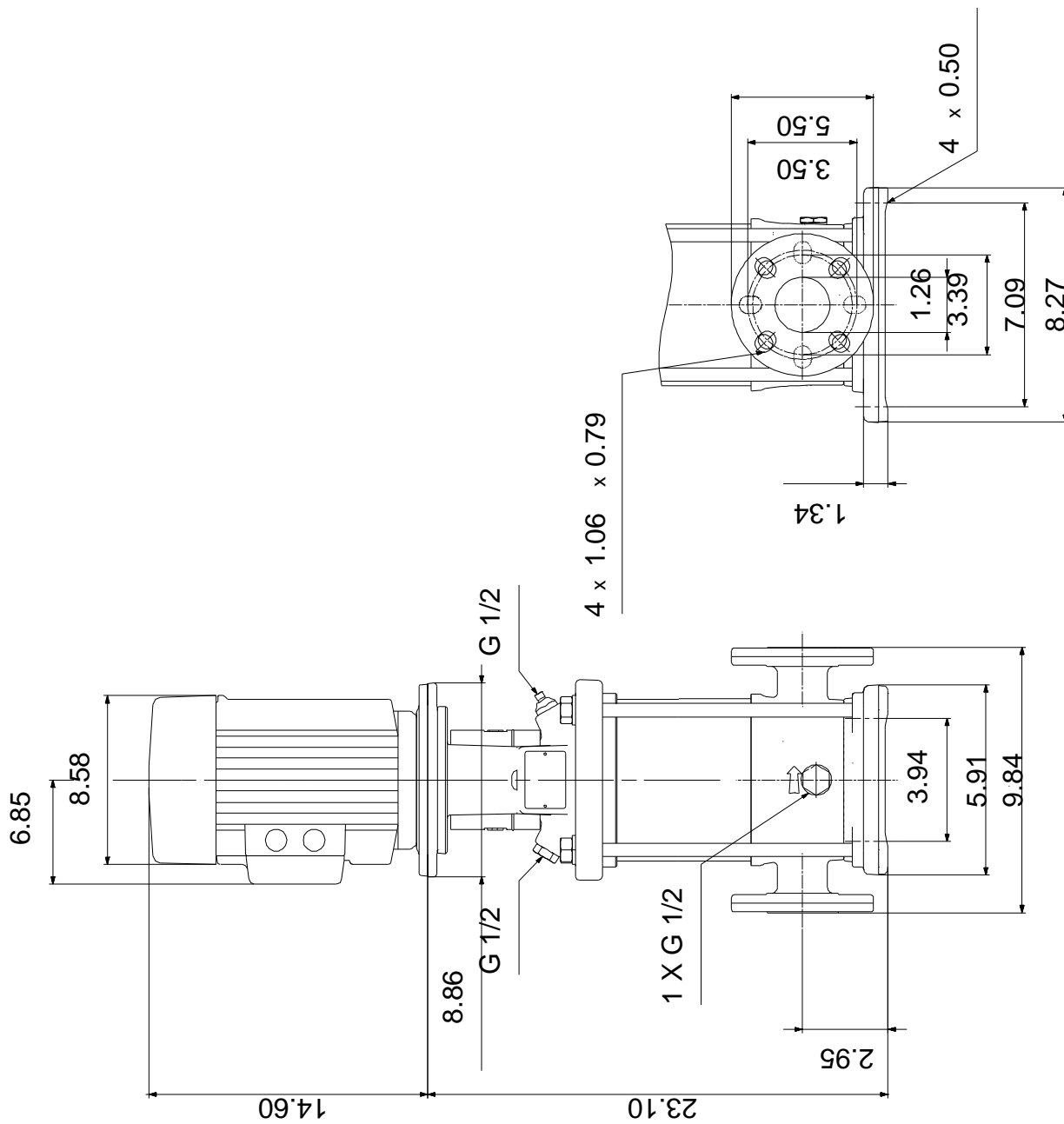
Phone:

Date:

6/17/2019

| Description          | Value                |
|----------------------|----------------------|
| Frequency converter: | NONE                 |
| <b>Others:</b>       |                      |
| Net weight:          | 122 lb               |
| Gross weight:        | 137 lb               |
| Shipping volume:     | 10.1 ft <sup>3</sup> |
| Country of origin:   | US                   |
| Custom tariff no.:   | 8413.70.2040         |

## 96084035 CRN 3-17 A-FGJ-A-V-HQQV 60 Hz





96084035 CRN 3-17 A-FGJ-A-V-HQQV 60 Hz

