

PROJECT: _____	UNIT TAG: _____	QUANTITY: _____
REPRESENTATIVE: _____	TYPE OF SERVICE: _____	DATE: _____
ENGINEER: _____	SUBMITTED BY: _____	DATE: _____
CONTRACTOR: _____	APPROVED BY: _____	DATE: _____
	ORDER NO.: _____	DATE: _____

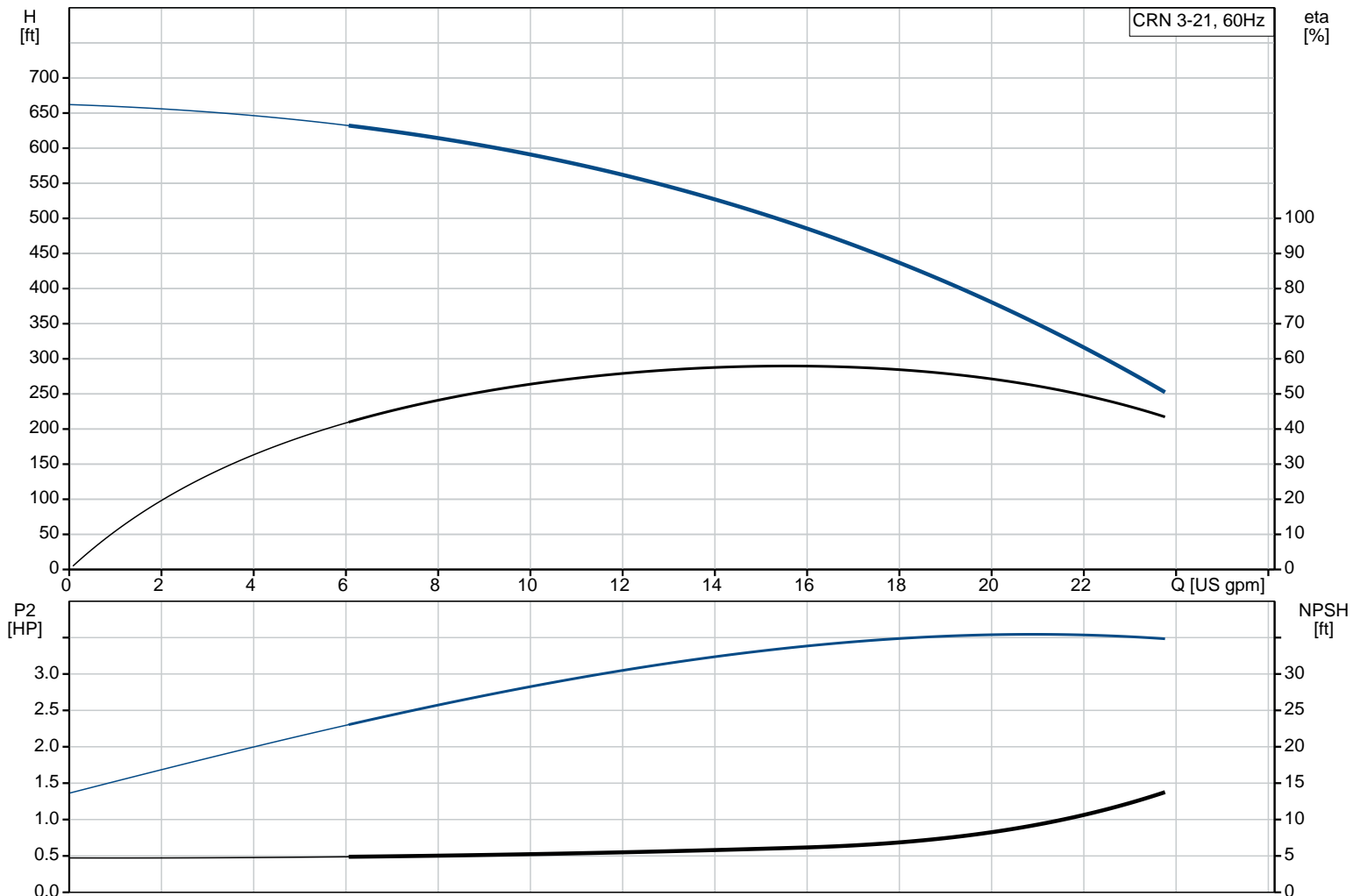


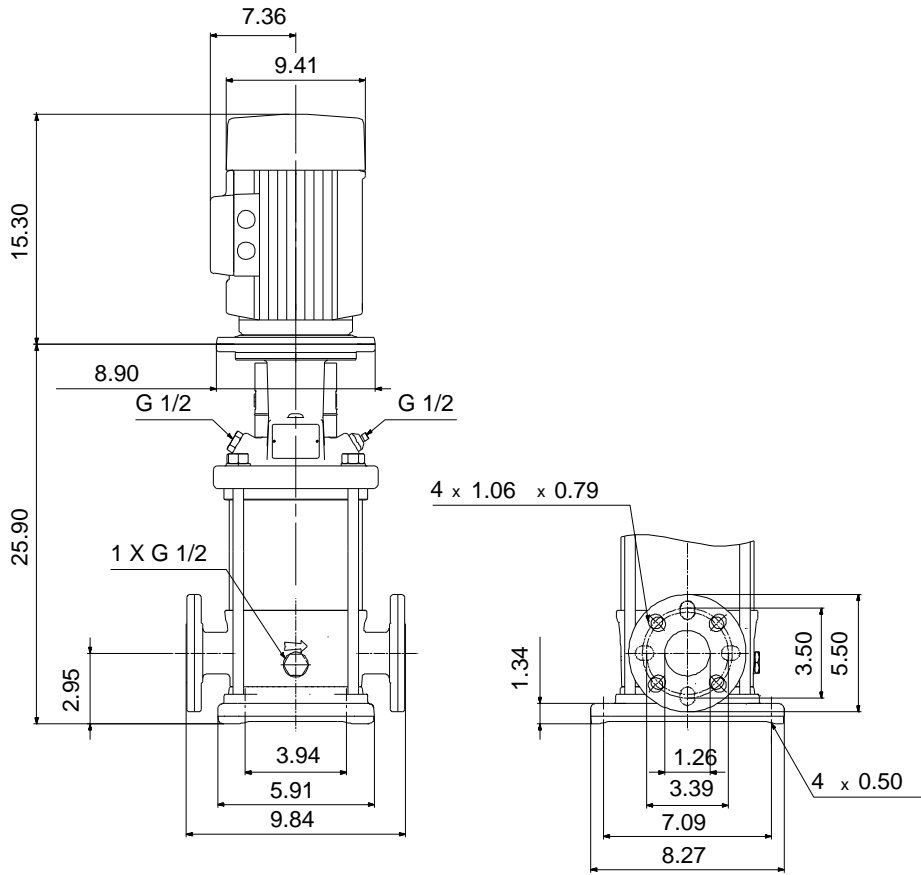
CRN 3-21 A-FGJ-A-V-HQQV

Vertical, multistage centrifugal pump with suction and discharge ports on same the level. Pump materials in contact with the liquid are in high-grade stainless steel (EN 1.4401) (AISI 316)

Product photo could vary from the actual product

Conditions of Service	Pump Data	Motor Data
Flow: _____	Max pressure at stated temperature: 363 psi / 194 °F	Rated power - P2: 5 HP
Head: _____	Liquid temperature range: -4 .. 194 °F	Rated voltage: 208-230 V
Efficiency: _____	Maximum ambient temperature: 104 °F	Main frequency: 60 Hz
Liquid: Water	Approvals: CURUS	Enclosure class: 54 Dust/Splashing
Temperature: 68 °F	Shaft seal: HQQV	Insulation class: F
NPSH required: ft	Product number: 96084039	Motor protection: NONE
Viscosity: _____		Motor type: Baldor
Specific Gravity: 1.000		





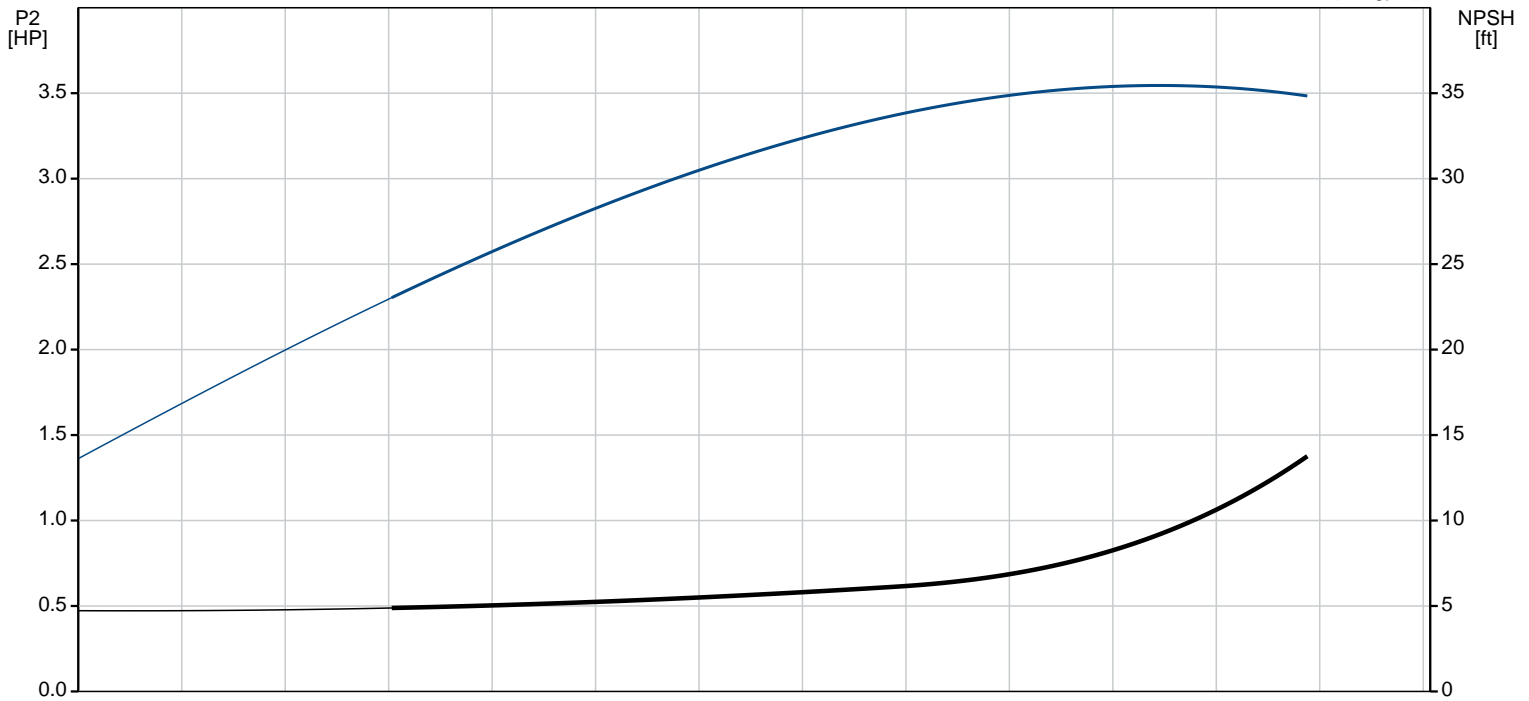
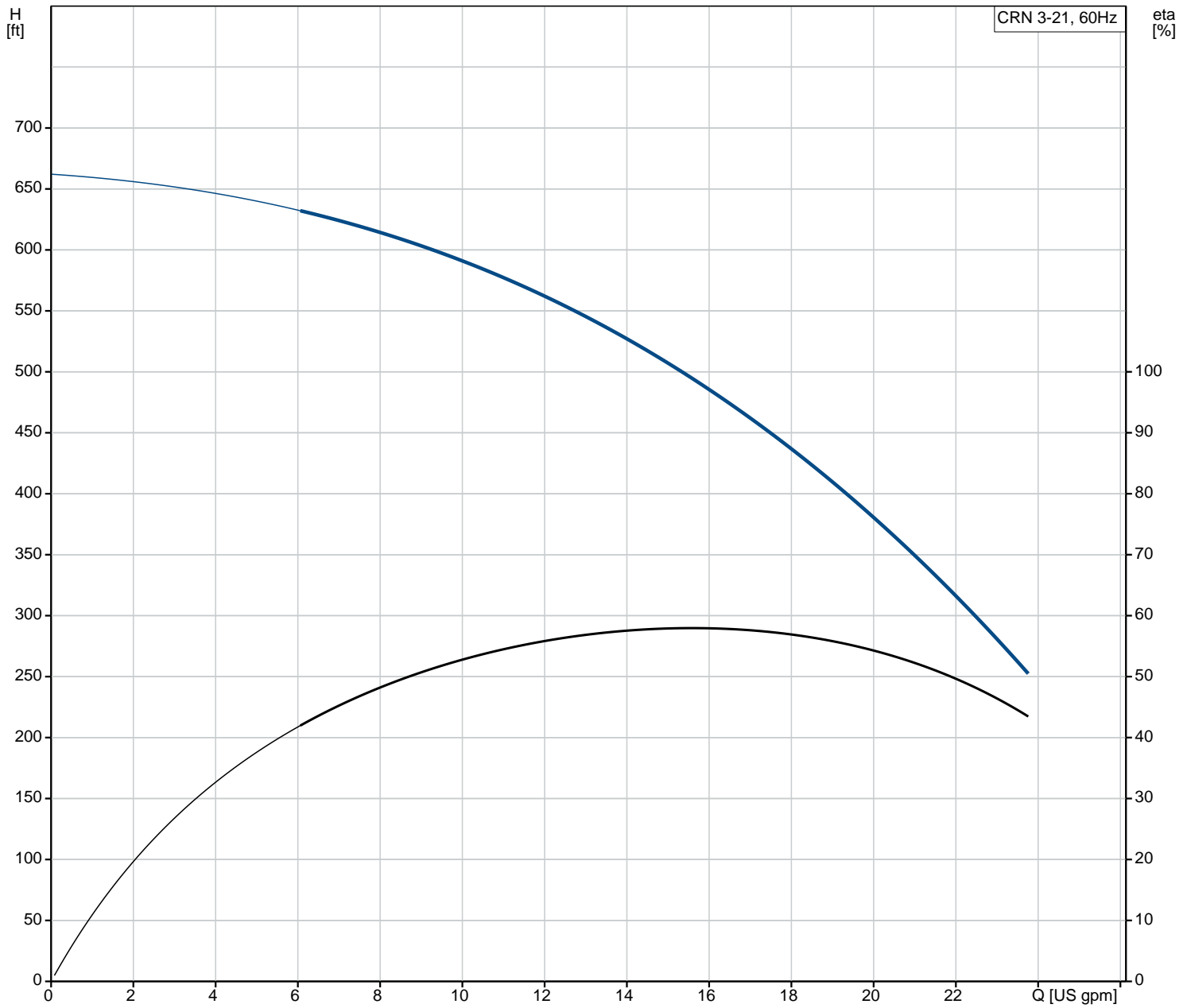
Materials:

- Base: Stainless steel
EN 1.4408
AISI 316
- Impeller: Stainless steel
AISI 316
EN 1.4401
- Material code: A
- Code for rubber: V

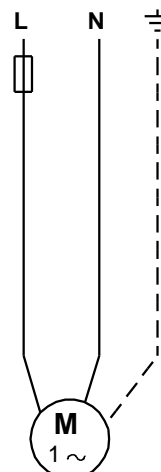
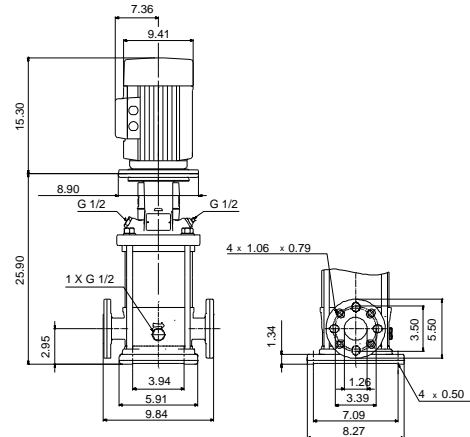
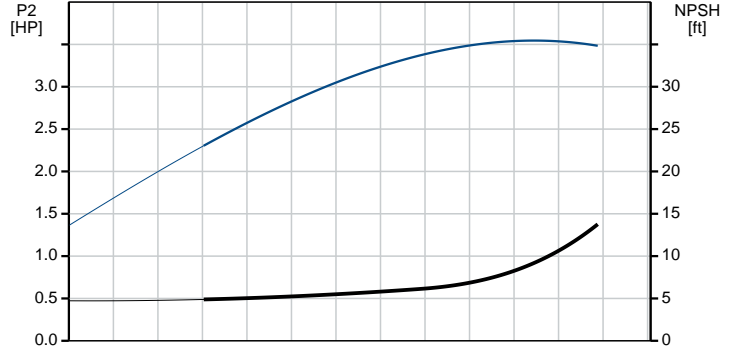
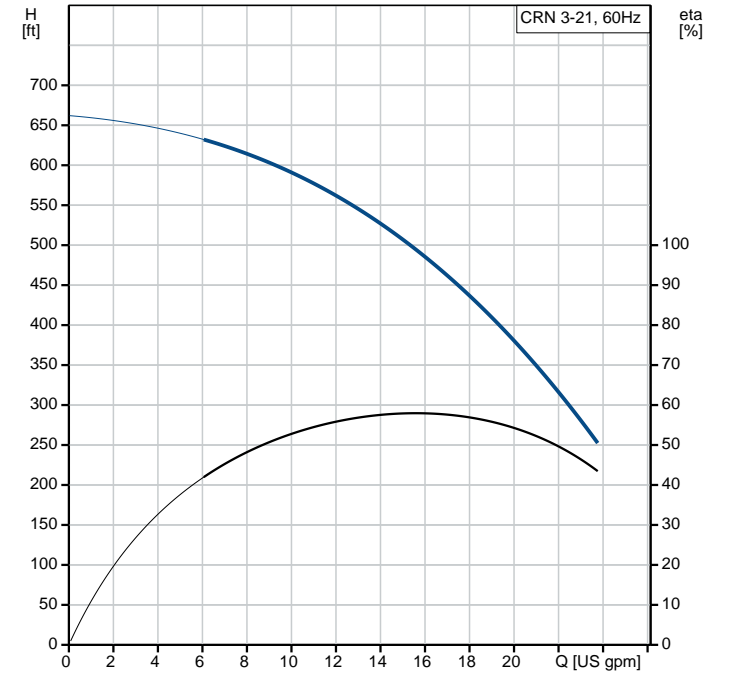
Count	Description
1	<p data-bbox="113 230 437 253">CRN 3-21 A-FGJ-A-V-HQQV</p> <div data-bbox="153 271 443 674">  </div> <p data-bbox="504 658 959 680">Product photo could vary from the actual product</p> <p data-bbox="113 689 376 712">Product No.: 96084039</p> <p data-bbox="113 719 635 804">Vertical, non-self-priming, multistage, in-line, centrifugal pump for installation in pipe systems and mounting on a foundation.</p> <p data-bbox="113 837 588 866">The pump has the following characteristics:</p> <ul data-bbox="153 869 668 985" style="list-style-type: none"> - Impellers, intermediate chambers and outer sleeve are made of - Pump head cover and base are made of - The shaft seal has assembly length according to EN 12756. - Power transmission is via cast iron split coupling. <p data-bbox="113 1077 309 1106">flanges/couplings.</p> <p data-bbox="113 1135 485 1162">The motor is a 1-phase AC motor.</p> <p data-bbox="113 1196 225 1223">Controls:</p> <p data-bbox="113 1225 547 1252">Frequency converter: NONE</p> <p data-bbox="113 1283 196 1310">Liquid:</p> <p data-bbox="113 1312 600 1429">Pumped liquid: Water Liquid temperature range: -4 .. 194 °F Selected liquid temperature: 68 °F Density: 62.29 lb/ft³</p> <p data-bbox="113 1462 236 1489">Technical:</p> <p data-bbox="113 1491 675 1727">Rated pump speed: 3468 rpm Rated flow: 15.4 US gpm Rated head: 498.7 ft Pump orientation: Vertical Shaft seal arrangement: Single Code for shaft seal: HQQV Approvals on nameplate: CURUS Curve tolerance: ISO9906:2012 3B</p> <p data-bbox="113 1760 229 1787">Materials:</p> <p data-bbox="113 1789 638 1995">Base: Stainless steel EN 1.4408 AISI 316 Impeller: Stainless steel EN 1.4401 AISI 316 Bearing: SIC</p> <p data-bbox="113 2029 252 2056">Installation:</p> <p data-bbox="113 2058 715 2204">Maximum ambient temperature: 104 °F Maximum operating pressure: 362.59 psi Max pressure at stated temperature: 363 psi / 194 °F 363 psi / -4 °F Type of connection: DIN / ANSI / JIS</p>

Count	Description
	<p>Size of inlet connection: DN 25/32</p> <p>Size of suction port: 1 1/4 inch</p> <p>Size of outlet connection: DN 25/32</p> <p>Size of outlet port: 1 1/4 inch</p> <p>Pressure rating for pipe connection: PN 25</p> <p>Flange rating inlet: 300 lb</p> <p>Flange size for motor: 182TC</p> <p>Electrical data:</p> <p>Motor standard: NEMA</p> <p>Motor type: Baldor</p> <p>Rated power - P2: 5 HP</p> <p>Power (P2) required by pump: 5 HP</p> <p>Main frequency: 60 Hz</p> <p>Rated voltage: 1 x 208-230 V</p> <p>Service factor: 1.15</p> <p>Rated current: 24.0-22.0 A</p> <p>Rated speed: 3450 rpm</p> <p>Number of poles: 2</p> <p>Enclosure class (IEC 34-5): 54 Dust/Splashing</p> <p>Insulation class (IEC 85): F</p> <p>Motor Number: 85700012</p> <p>Others:</p> <p>Net weight: 156 lb</p> <p>Gross weight: 174 lb</p> <p>Shipping volume: 10.1 ft³</p> <p>Country of origin: US</p> <p>Custom tariff no.: 8413.70.2040</p>

96084039 CRN 3-21 A-FGJ-A-V-HQQV 60 Hz



Description	Value
General information:	
Product name:	CRN 3-21 A-FGJ-A-V-HQQV
Product No.:	96084039
EAN:	5700395181678
Technical:	
Rated pump speed:	3468 rpm
Rated flow:	15.4 US gpm
Rated head:	498.7 ft
Head max:	662.1 ft
Stages:	21
Impellers:	21
Number of reduced-diameter impellers:	0
Low NPSH:	N
Pump orientation:	Vertical
Shaft seal arrangement:	Single
Code for shaft seal:	HQQV
Approvals on nameplate:	CURUS
Curve tolerance:	ISO9906:2012 3B
Pump version:	A
Model:	A
Cooling:	TEFC
Materials:	
Base:	Stainless steel EN 1.4408 AISI 316
Impeller:	Stainless steel EN 1.4401 AISI 316
Material code:	A
Code for rubber:	V
Bearing:	SIC
Installation:	
Maximum ambient temperature:	104 °F
Maximum operating pressure:	362.59 psi
Max pressure at stated temperature:	363 psi / 194 °F 363 psi / -4 °F
Type of connection:	DIN / ANSI / JIS
Size of inlet connection:	DN 25/32
Size of suction port:	1 1/4 inch
Size of outlet connection:	DN 25/32
Size of outlet port:	1 1/4 inch
Pressure rating for pipe connection:	PN 25
Flange rating inlet:	300 lb
Flange size for motor:	182TC
Connect code:	FGJ
Liquid:	
Pumped liquid:	Water
Liquid temperature range:	-4 .. 194 °F
Selected liquid temperature:	68 °F
Density:	62.29 lb/ft³
Electrical data:	
Motor standard:	NEMA
Motor type:	Baldor
Rated power - P2:	5 HP
Power (P2) required by pump:	5 HP
Main frequency:	60 Hz
Rated voltage:	1 x 208-230 V
Service factor:	1.15
Rated current:	24.0-22.0 A
Load current:	27.0-25.0 A
Rated speed:	3450 rpm
Number of poles:	2
Enclosure class (IEC 34-5):	54 Dust/Splashing
Insulation class (IEC 85):	F
Motor protection:	NONE
Motor Number:	85700012





Company name:

Created by:

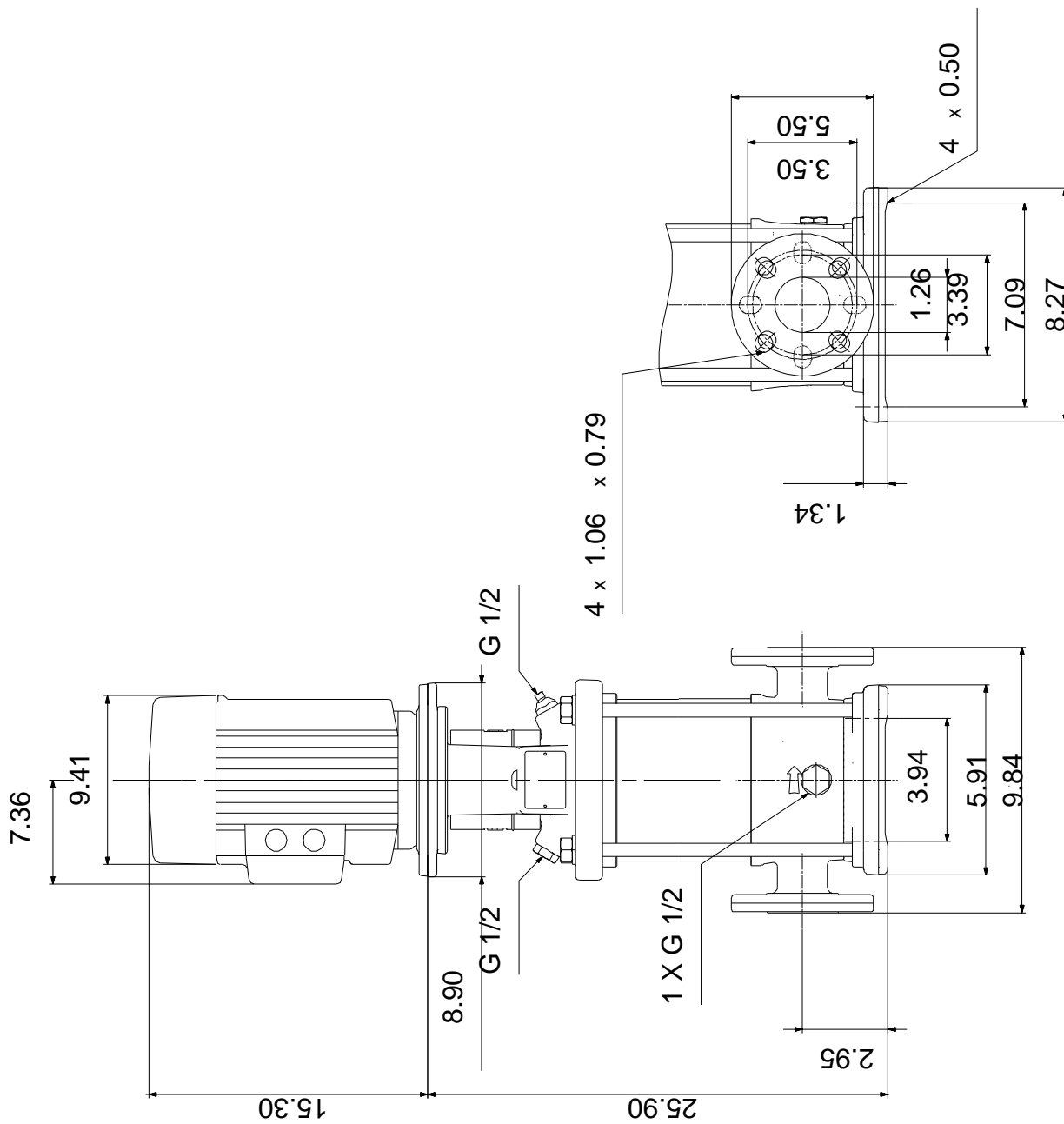
Phone:

Date:

6/18/2019

Description	Value
Controls:	
Frequency converter:	NONE
Others:	
Net weight:	156 lb
Gross weight:	174 lb
Shipping volume:	10.1 ft ³
Country of origin:	US
Custom tariff no.:	8413.70.2040

96084039 CRN 3-21 A-FGJ-A-V-HQQV 60 Hz



96084039 CRN 3-21 A-FGJ-A-V-HQQV 60 Hz

