

PROJECT: _____	UNIT TAG: _____	QUANTITY: _____
REPRESENTATIVE: _____	TYPE OF SERVICE: _____	DATE: _____
ENGINEER: _____	SUBMITTED BY: _____	DATE: _____
CONTRACTOR: _____	APPROVED BY: _____	DATE: _____
	ORDER NO.: _____	DATE: _____

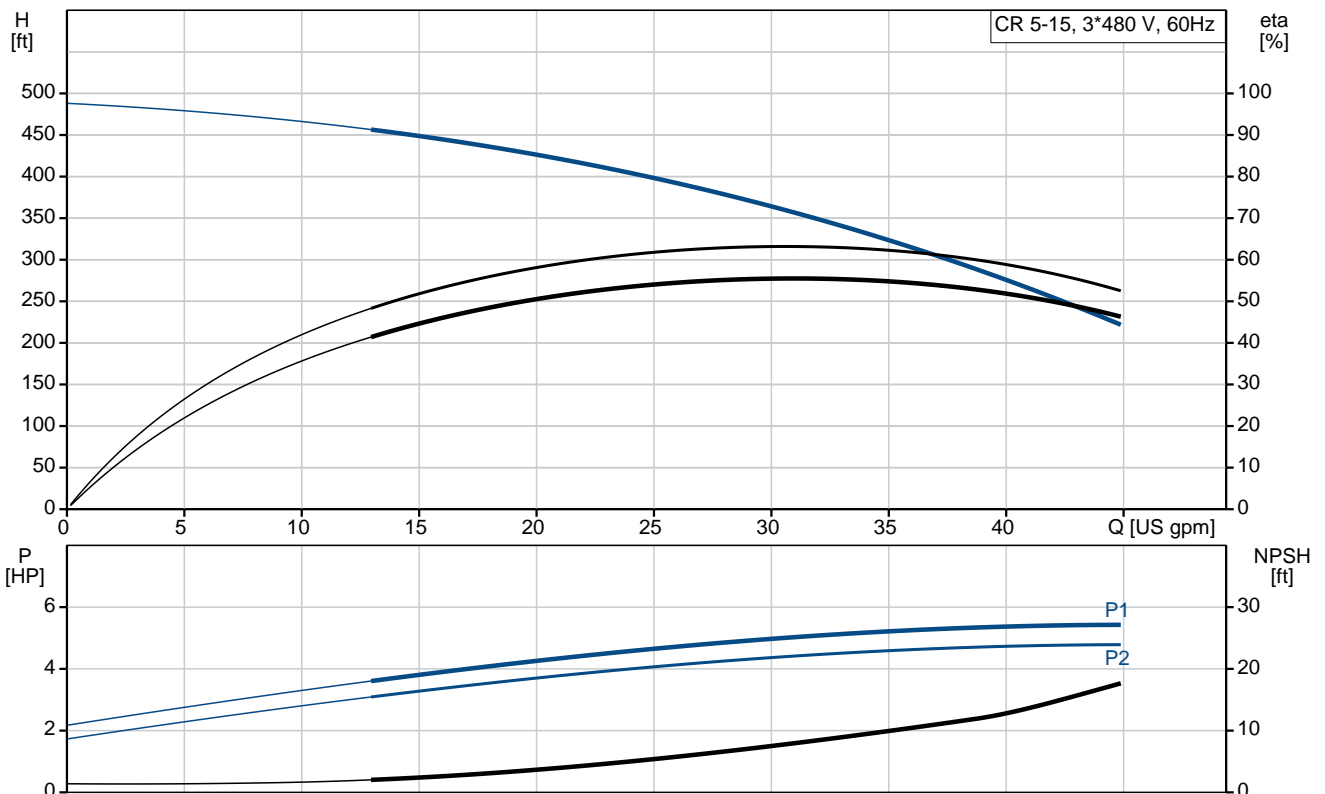


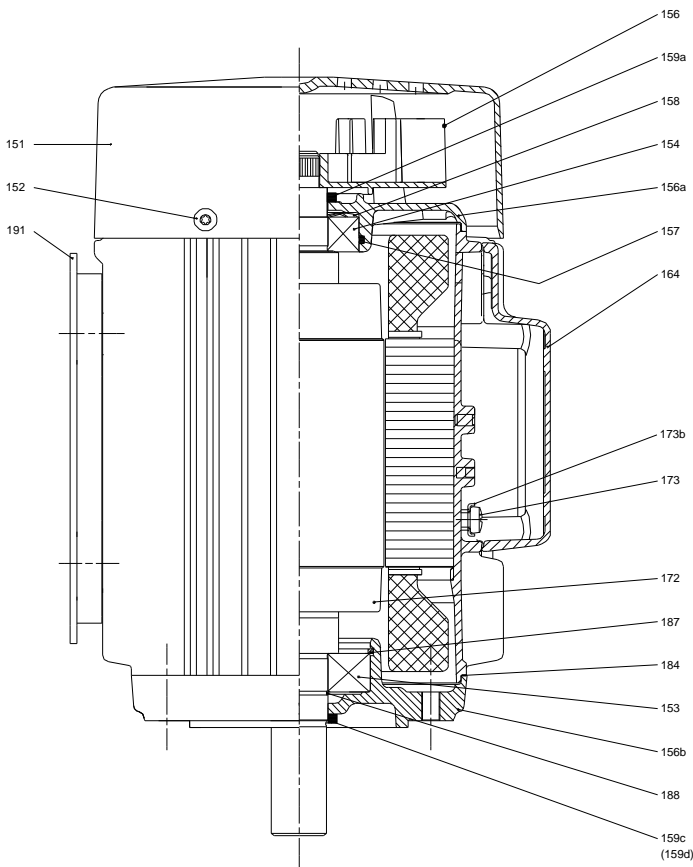
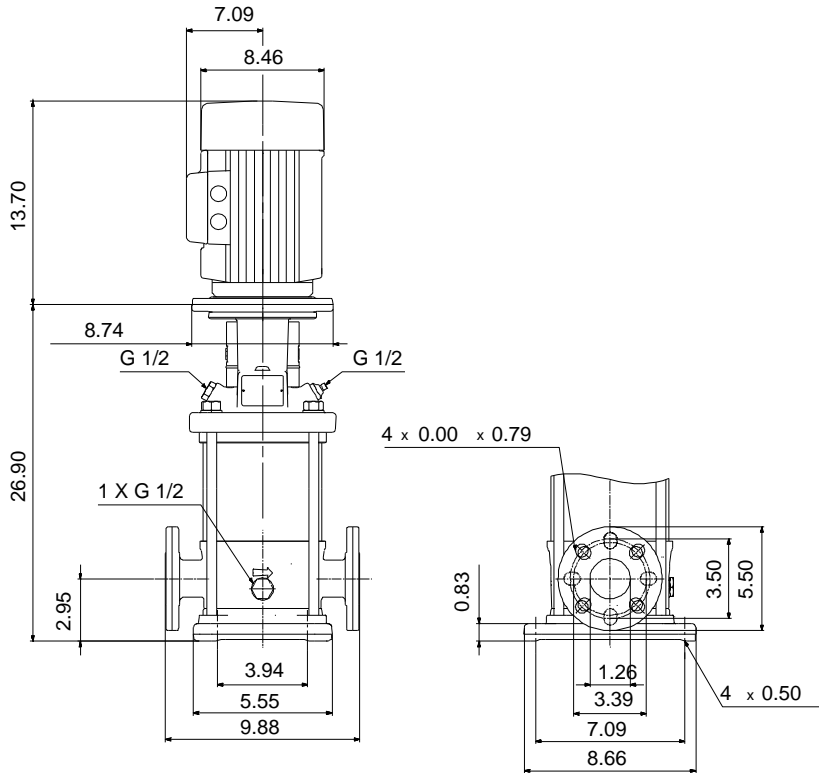
CR 5-15 A-FGJ-A-E-HQQE

Vertical, multistage centrifugal pump with suction and discharge ports on the same level. The pump head and base are in cast iron. All other wetted parts are in stainless steel (EN 1.4301)(AISI 304)

Product photo could vary from the actual product

Conditions of Service	Pump Data	Motor Data
Flow: _____	Max pressure at stated temperature: 363 psi / 250 °F	Rated power - P2: 5 HP
Head: _____	Liquid temperature range: -4 .. 248 °F	Rated voltage: 208-230YY/460Y V
Efficiency: _____	Maximum ambient temperature: 140 °F	Main frequency: 60 Hz
Liquid: Water	Approvals: CURUS,NSF61	Enclosure class: 55 Dust/Jetting
Temperature: 68 °F	Shaft seal: HQQE	Insulation class: F
NPSH required: ft	Product number: 96084277	Motor protection: PTC
Viscosity: _____		Motor type: 112CA
Specific Gravity: 1.000		Motor_efficiency: 88.5 %





Materials:

- Base: Cast iron
EN 1561 EN-GJL-200
ASTM A48-25B
- Impeller: Stainless steel
AISI 304
EN 1.4301
- Material code: A
- Code for rubber: E

Count	Description
1	<p data-bbox="225 338 533 367">CR 5-15 A-FGJ-A-E-HQQE</p> <div data-bbox="256 376 576 792">  </div> <p data-bbox="619 770 1070 792">Product photo could vary from the actual product</p> <p data-bbox="225 801 491 831">Product No.: 96084277</p> <p data-bbox="225 833 746 920">Vertical, non-self-priming, multistage, in-line, centrifugal pump for installation in pipe systems and mounting on a foundation.</p> <p data-bbox="225 949 703 978">The pump has the following characteristics:</p> <ul data-bbox="261 981 850 1039" style="list-style-type: none"> - Impellers and intermediate chambers are made of - The shaft seal has assembly length <p data-bbox="225 1041 485 1070">according to EN 12756.</p> <ul data-bbox="261 1072 735 1131" style="list-style-type: none"> - Power transmission is via cast iron split coupling. <p data-bbox="225 1160 600 1189">The motor is a 3-phase AC motor.</p> <p data-bbox="225 1218 328 1247">Controls:</p> <p data-bbox="225 1249 660 1279">Frequency converter: NONE</p> <p data-bbox="225 1308 312 1337">Liquid:</p> <p data-bbox="225 1339 660 1368">Pumped liquid: Water</p> <p data-bbox="225 1370 715 1400">Liquid temperature range: -4 .. 248 °F</p> <p data-bbox="225 1402 651 1431">Selected liquid temperature: 68 °F</p> <p data-bbox="225 1433 708 1462">Density: 62.29 lb/ft³</p> <p data-bbox="225 1491 352 1520">Technical:</p> <p data-bbox="225 1523 695 1552">Rated pump speed: 3461 rpm</p> <p data-bbox="225 1554 735 1583">Rated flow: 30.4 US gpm</p> <p data-bbox="225 1585 676 1615">Rated head: 361.6 ft</p> <p data-bbox="225 1617 676 1646">Pump orientation: Vertical</p> <p data-bbox="225 1648 660 1677">Shaft seal arrangement: Single</p> <p data-bbox="225 1680 660 1709">Code for shaft seal: HQQE</p> <p data-bbox="225 1711 759 1740">Approvals on nameplate: CURUS,NSF61</p> <p data-bbox="225 1742 788 1771">Curve tolerance: ISO9906:2012 3B</p> <p data-bbox="225 1800 344 1830">Materials:</p> <p data-bbox="225 1832 831 1890">Base: Cast iron EN 1561 EN-GJL-200 ASTM A48-25B</p> <p data-bbox="225 1906 751 1964">Impeller: Stainless steel EN 1.4301</p> <p data-bbox="225 1980 632 2016">Bearing: AISI 304 SIC</p> <p data-bbox="225 2054 368 2083">Installation:</p> <p data-bbox="225 2085 663 2114">Maximum ambient temperature: 140 °F</p>



Company name:

Created by:

Phone:

Date:

6/3/2019

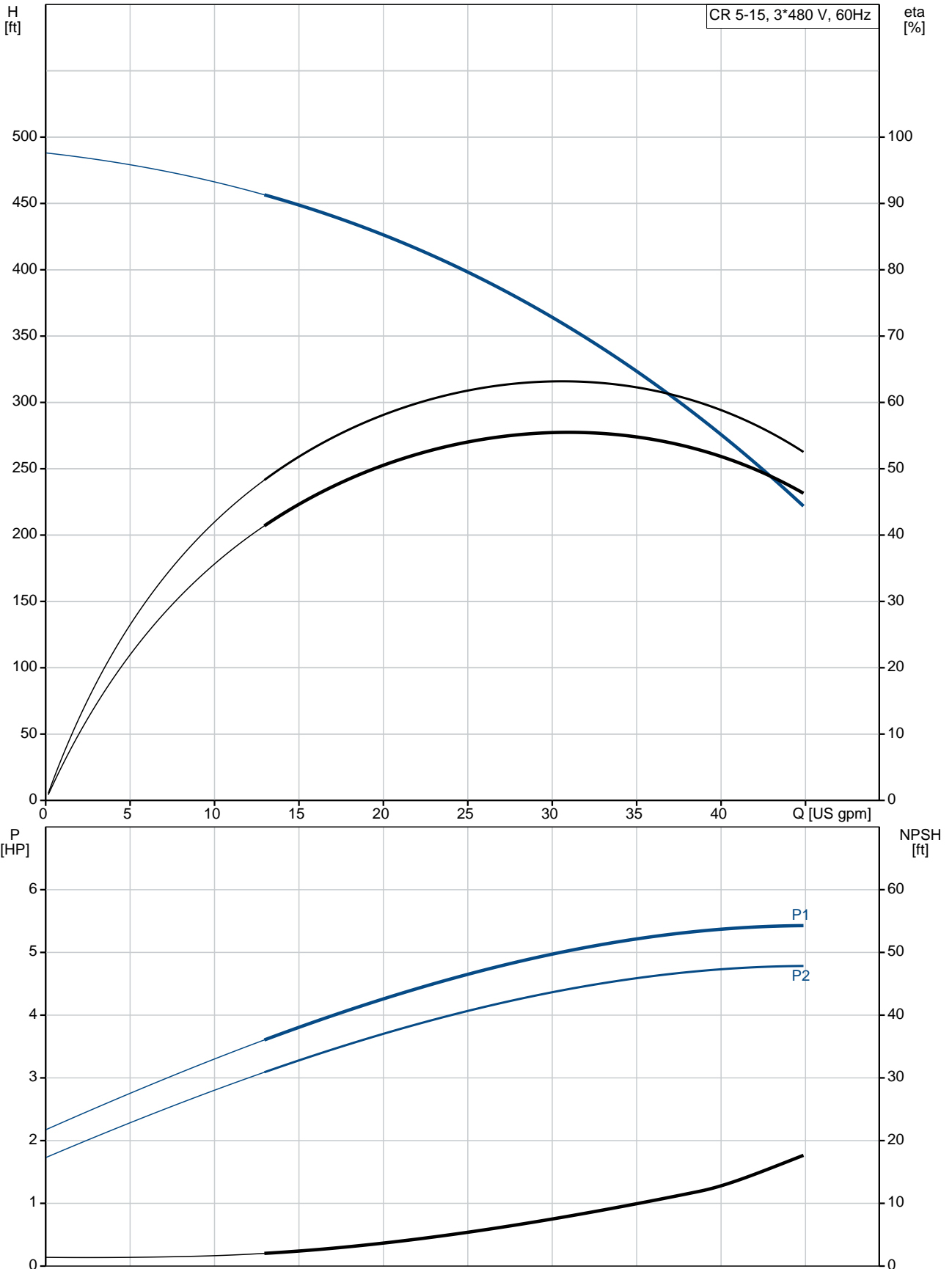
Count	Description
	Maximum operating pressure: 362.59 psi Max pressure at stated temperature: 363 psi / 250 °F 363 psi / -4 °F
	Type of connection: DIN / ANSI / JIS
	Size of inlet connection: DN 25/32
	Size of suction port: 1 1/4 inch
	Size of outlet connection: DN 25/32
	Size of outlet port: 1 1/4 inch
	Pressure rating for pipe connection: PN 25
	Flange rating inlet: 250 lb
	Flange size for motor: 182TC
	Electrical data:
	Motor standard: NEMA
	Motor type: 112CA
	IE Efficiency class: NEMA Premium / IE3 60Hz
	Rated power - P2: 5 HP
	Power (P2) required by pump: 5 HP
	Main frequency: 60 Hz
	Rated voltage: 3 x 208-230YY/460Y V
	Service factor: 1.15
	Rated current: 14,1-13,1/7,29 A
	Starting current: 1000-1470 %
	Cos phi - power factor: 0.89-0.86
	Rated speed: 3525-3540 rpm
	IE efficiency: IE3 88,5%
	Motor efficiency at full load: 88.5 %
	Motor efficiency at 3/4 load: 88.6 %
	Motor efficiency at 1/2 load: 85.2 %
	Number of poles: 2
	Enclosure class (IEC 34-5): 55 Dust/Jetting
	Insulation class (IEC 85): F
	Motor Number: 85904389
	Others:
	Net weight: 150 lb
	Gross weight: 168 lb
	Shipping volume: 10.1 ft ³
	Country of origin: US
	Custom tariff no.: 8413.70.2040



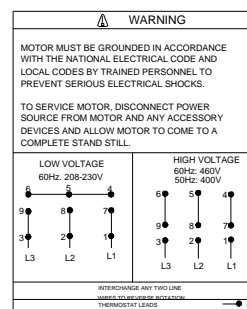
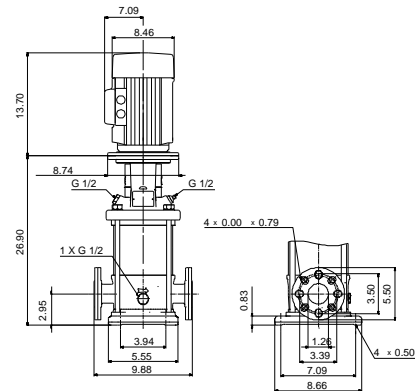
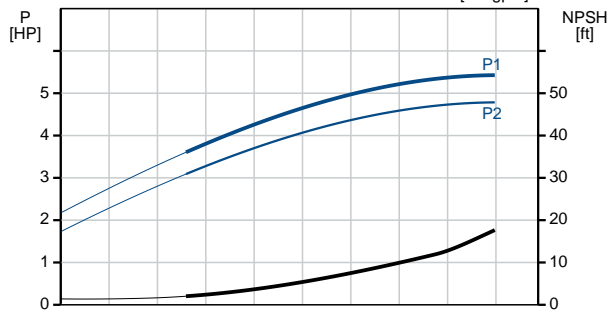
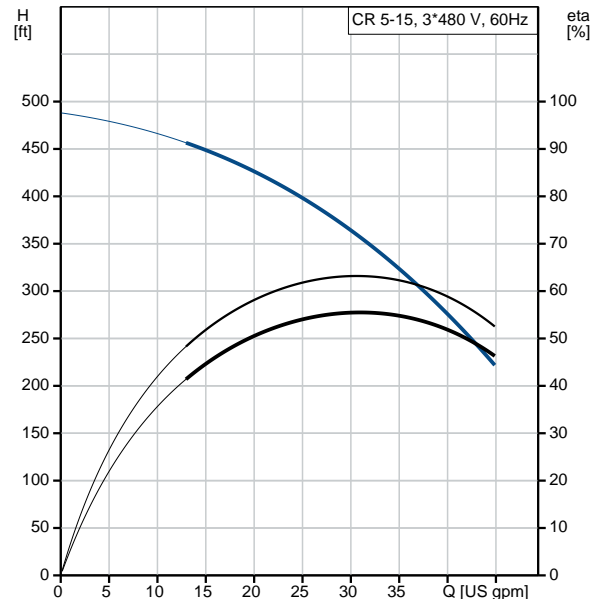
Company name:
Created by:
Phone:

Date: 6/3/2019

96084277 CR 5-15 A-FGJ-A-E-HQQE 60 Hz



Description	Value
General information:	
Product name:	CR 5-15 A-FGJ-A-E-HQQE
Product No.:	96084277
EAN:	5700395191158
Technical:	
Rated pump speed:	3461 rpm
Rated flow:	30.4 US gpm
Rated head:	361.6 ft
Head max:	488.2 ft
Stages:	15
Impellers:	15
Number of reduced-diameter impellers:	0
Low NPSH:	N
Pump orientation:	Vertical
Shaft seal arrangement:	Single
Code for shaft seal:	HQQE
Approvals on nameplate:	CURUS,NSF61
Curve tolerance:	ISO9906:2012 3B
Pump version:	A
Model:	A
Cooling:	TEFC
Materials:	
Base:	Cast iron EN 1561 EN-GJL-200 ASTM A48-25B
Impeller:	Stainless steel EN 1.4301 AISI 304
Material code:	A
Code for rubber:	E
Bearing:	SIC
Installation:	
Maximum ambient temperature:	140 °F
Maximum operating pressure:	362.59 psi
Max pressure at stated temperature:	363 psi / 250 °F 363 psi / -4 °F
Type of connection:	DIN / ANSI / JIS
Size of inlet connection:	DN 25/32
Size of suction port:	1 1/4 inch
Size of outlet connection:	DN 25/32
Size of outlet port:	1 1/4 inch
Pressure rating for pipe connection:	PN 25
Flange rating inlet:	250 lb
Flange size for motor:	182TC
Connect code:	FGJ
Liquid:	
Pumped liquid:	Water
Liquid temperature range:	-4 .. 248 °F
Selected liquid temperature:	68 °F
Density:	62.29 lb/ft³
Electrical data:	
Motor standard:	NEMA
Motor type:	112CA
IE Efficiency class:	NEMA Premium / IE3 60Hz
Rated power - P2:	5 HP
Power (P2) required by pump:	5 HP





Company name:

Created by:

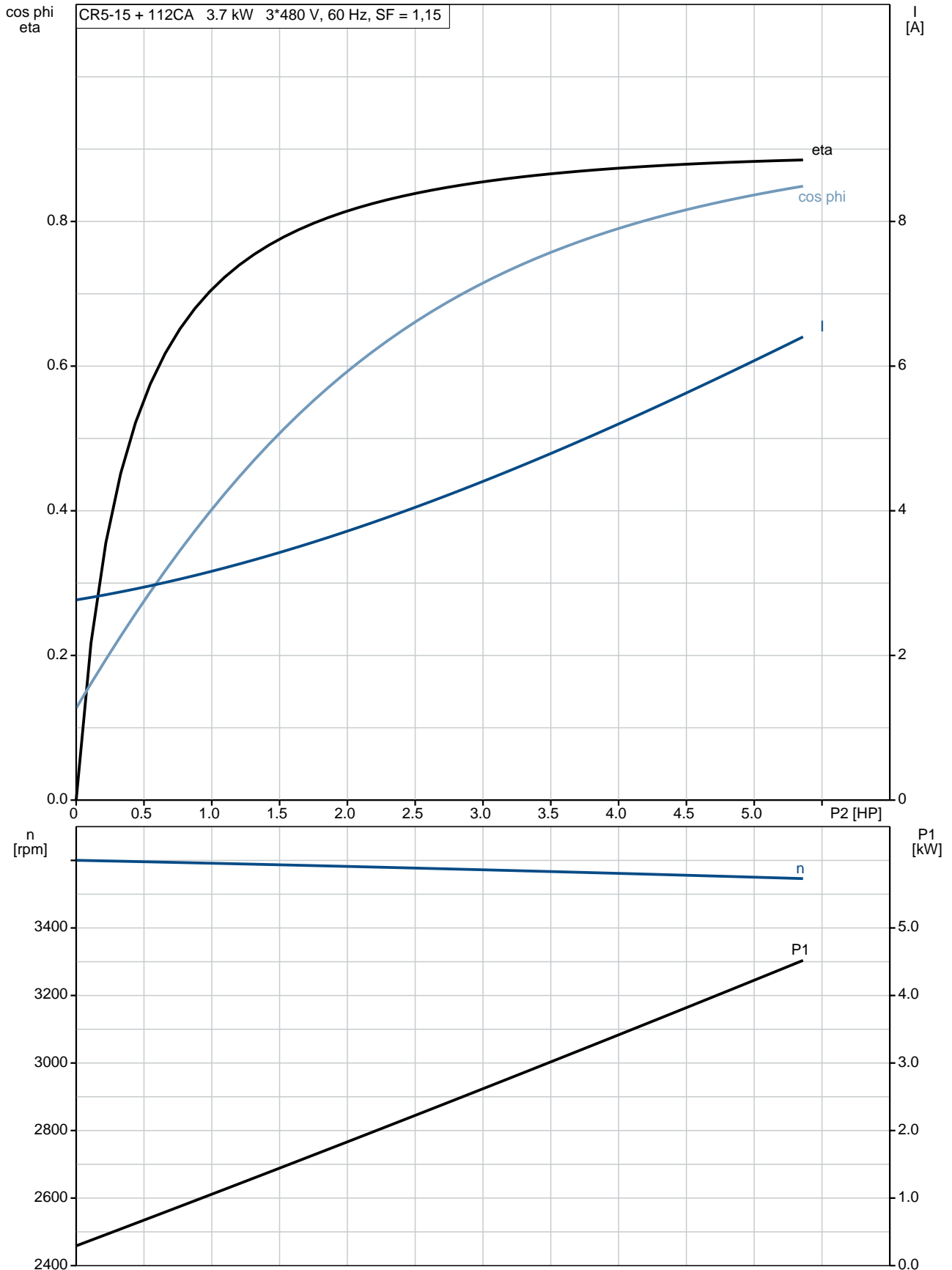
Phone:

Date:

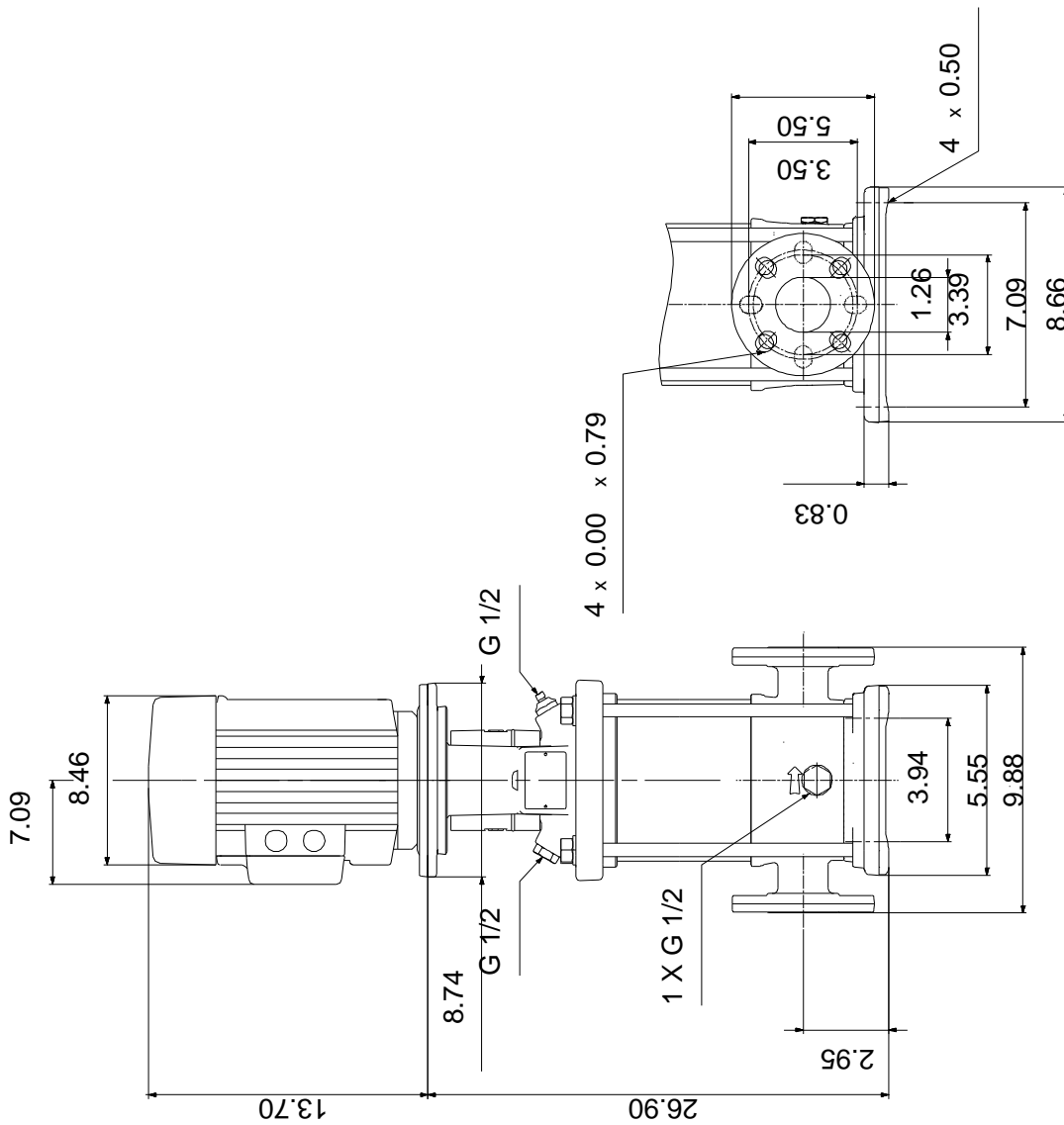
6/3/2019

Description	Value
Main frequency:	60 Hz
Rated voltage:	3 x 208-230YY/460Y V
Service factor:	1.15
Rated current:	14,1-13,1/7,29 A
Starting current:	1000-1470 %
Load current:	16,2-15,0/8,40 A
Cos phi - power factor:	0.89-0.86
Rated speed:	3525-3540 rpm
IE efficiency:	IE3 88,5%
Motor efficiency at full load:	88.5 %
Motor efficiency at 3/4 load:	88.6 %
Motor efficiency at 1/2 load:	85.2 %
Number of poles:	2
Enclosure class (IEC 34-5):	55 Dust/Jetting
Insulation class (IEC 85):	F
Motor protection:	PTC
Motor Number:	85904389
Controls:	
Frequency converter:	NONE
Others:	
Net weight:	150 lb
Gross weight:	168 lb
Shipping volume:	10.1 ft ³
Country of origin:	US
Custom tariff no.:	8413.70.2040

96084277 CR 5-15 A-FGJ-A-E-HQQE 60 Hz



96084277 CR 5-15 A-FGJ-A-E-HQQE 60 Hz



Note! All units are in [in] unless otherwise stated.
Disclaimer: This simplified dimensional drawing does not show all details.

96084277 CR 5-15 A-FGJ-A-E-HQQE 60 Hz

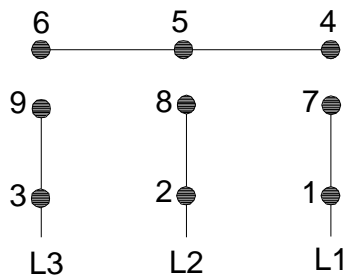


WARNING

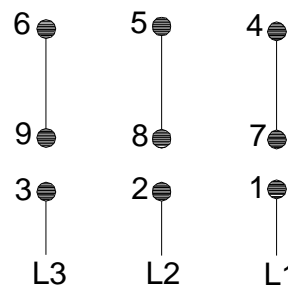
MOTOR MUST BE GROUNDED IN ACCORDANCE WITH THE NATIONAL ELECTRICAL CODE AND LOCAL CODES BY TRAINED PERSONNEL TO PREVENT SERIOUS ELECTRICAL SHOCKS.

TO SERVICE MOTOR, DISCONNECT POWER SOURCE FROM MOTOR AND ANY ACCESSORY DEVICES AND ALLOW MOTOR TO COME TO A COMPLETE STAND STILL.

LOW VOLTAGE 60Hz. 208-230V



HIGH VOLTAGE 60Hz: 460V 50Hz: 400V



96553852

INTERCHANGE ANY TWO LINE WIRES TO REVERSE ROTATION
THERMOSTAT LEADS
(WHEN PROVIDED)

