

PROJECT: _____	UNIT TAG: _____	QUANTITY: _____
REPRESENTATIVE: _____	TYPE OF SERVICE: _____	DATE: _____
ENGINEER: _____	SUBMITTED BY: _____	DATE: _____
CONTRACTOR: _____	APPROVED BY: _____	DATE: _____
	ORDER NO.: _____	DATE: _____

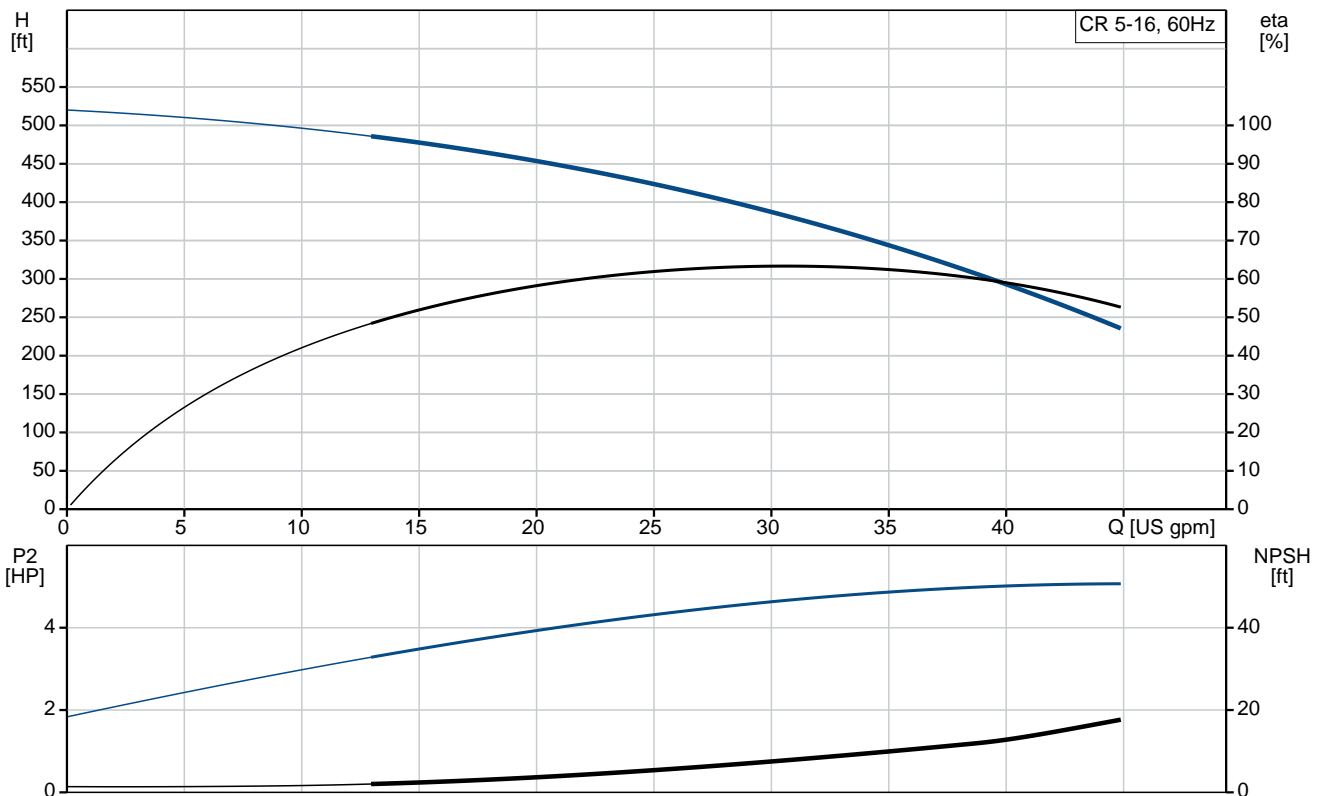
## CR 5-16 A-FGJ-A-E-HQQE

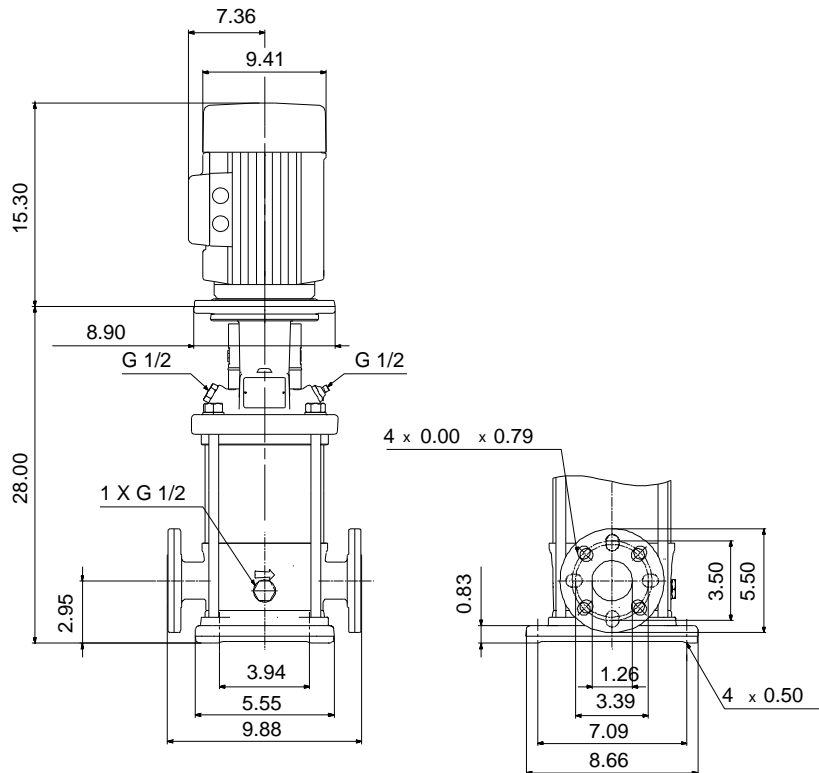
Vertical, multistage centrifugal pump with suction and discharge ports on the same level. The pump head and base are in cast iron. All other wetted parts are in stainless steel (EN 1.4301)(AISI 304)



Product photo could vary from the actual product

Conditions of Service	Pump Data	Motor Data
Flow: _____	Max pressure at stated temperature: 363 psi / 250 °F	Rated power - P2: 5 HP
Head: _____	Liquid temperature range: -4 .. 248 °F	Rated voltage: 208-230 V
Efficiency: _____	Maximum ambient temperature: 104 °F	Main frequency: 60 Hz
Liquid: Water	Approvals: CURUS,NSF61	Enclosure class: 54 Dust/Splashing
Temperature: 68 °F	Shaft seal: HQQE	Insulation class: F
NPSH required: ft	Product number: 96084278	Motor protection: NONE
Viscosity: _____		Motor type: Baldor
Specific Gravity: 1.000		





**Materials:**

Base: Cast iron  
 EN 1561 EN-GJL-200  
 ASTM A48-25B

Impeller: Stainless steel  
 AISI 304  
 EN 1.4301

Material code: A  
 Code for rubber: E

Count	Description
1	<p data-bbox="225 338 533 367"><b>CR 5-16 A-FGJ-A-E-HQQE</b></p> <div data-bbox="256 378 576 792">  </div> <p data-bbox="619 770 1070 792">Product photo could vary from the actual product</p> <p data-bbox="225 801 491 831">Product No.: <a href="#">96084278</a></p> <p data-bbox="225 833 748 920">Vertical, non-self-priming, multistage, in-line, centrifugal pump for installation in pipe systems and mounting on a foundation.</p> <p data-bbox="225 949 703 978">The pump has the following characteristics:</p> <ul data-bbox="261 981 850 1039" style="list-style-type: none"> <li>- Impellers and intermediate chambers are made of</li> <li>- The shaft seal has assembly length</li> </ul> <p data-bbox="225 1041 485 1070">according to EN 12756.</p> <ul data-bbox="261 1072 735 1131" style="list-style-type: none"> <li>- Power transmission is via cast iron split coupling.</li> </ul> <p data-bbox="225 1160 600 1189">The motor is a 1-phase AC motor.</p> <p data-bbox="225 1218 328 1247">Controls:</p> <p data-bbox="225 1249 662 1279">Frequency converter:                    NONE</p> <p data-bbox="225 1308 312 1337"><b>Liquid:</b></p> <p data-bbox="225 1339 659 1368">Pumped liquid:                            Water</p> <p data-bbox="225 1370 715 1400">Liquid temperature range:            -4 .. 248 °F</p> <p data-bbox="225 1402 651 1431">Selected liquid temperature:        68 °F</p> <p data-bbox="225 1433 708 1462">Density:                                      62.29 lb/ft<sup>3</sup></p> <p data-bbox="225 1491 352 1520"><b>Technical:</b></p> <p data-bbox="225 1523 695 1552">Rated pump speed:                        3468 rpm</p> <p data-bbox="225 1554 735 1583">Rated flow:                                 30.4 US gpm</p> <p data-bbox="225 1585 676 1615">Rated head:                                 375.3 ft</p> <p data-bbox="225 1617 675 1646">Pump orientation:                        Vertical</p> <p data-bbox="225 1648 660 1677">Shaft seal arrangement:                Single</p> <p data-bbox="225 1680 663 1709">Code for shaft seal:                      HQQE</p> <p data-bbox="225 1711 761 1740">Approvals on nameplate:                CURUS,NSF61</p> <p data-bbox="225 1742 788 1771">Curve tolerance:                         ISO9906:2012 3B</p> <p data-bbox="225 1800 344 1830"><b>Materials:</b></p> <p data-bbox="225 1832 831 1890">Base:                                         Cast iron EN 1561 EN-GJL-200 ASTM A48-25B</p> <p data-bbox="225 1919 751 1977">Impeller:                                    Stainless steel EN 1.4301 AISI 304</p> <p data-bbox="225 2007 632 2036">Bearing:                                      SIC</p> <p data-bbox="225 2065 368 2094"><b>Installation:</b></p> <p data-bbox="225 2096 663 2125">Maximum ambient temperature: 104 °F</p>



Company name:

Created by:

Phone:

Date:

6/3/2019

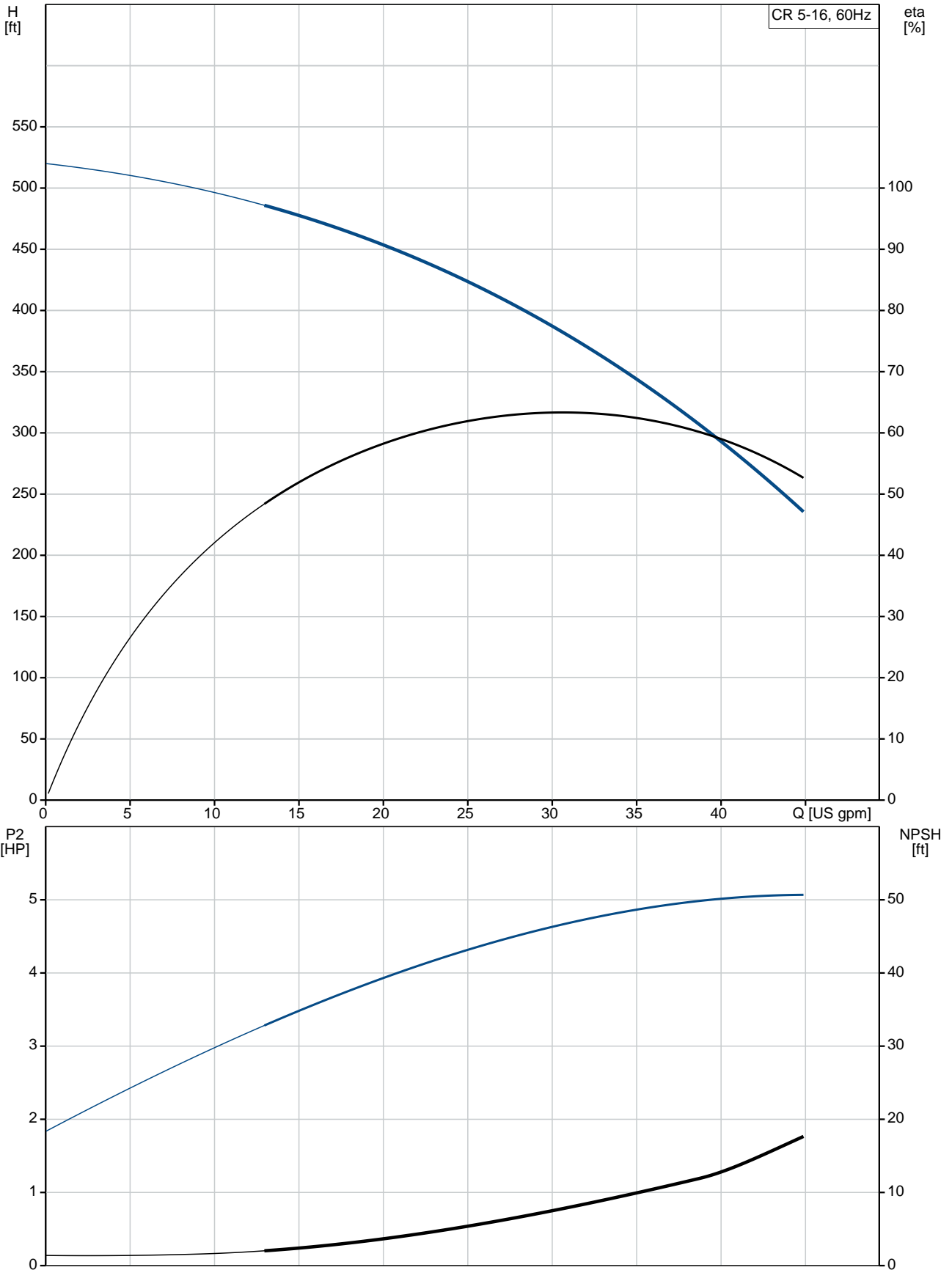
Count	Description
	Maximum operating pressure: 362.59 psi Max pressure at stated temperature: 363 psi / 250 °F 363 psi / -4 °F
	Type of connection: DIN / ANSI / JIS
	Size of inlet connection: DN 25/32
	Size of suction port: 1 1/4 inch
	Size of outlet connection: DN 25/32
	Size of outlet port: 1 1/4 inch
	Pressure rating for pipe connection: PN 25
	Flange rating inlet: 250 lb
	Flange size for motor: 182TC
	<b>Electrical data:</b>
	Motor standard: NEMA
	Motor type: Baldor
	Rated power - P2: 5 HP
	Power (P2) required by pump: 5 HP
	Main frequency: 60 Hz
	Rated voltage: 1 x 208-230 V
	Service factor: 1.15
	Rated current: 24.0-22.0 A
	Rated speed: 3450 rpm
	Number of poles: 2
	Enclosure class (IEC 34-5): 54 Dust/Splashing
	Insulation class (IEC 85): F
	Motor Number: 85700012
	<b>Others:</b>
	Net weight: 164 lb
	Gross weight: 182 lb
	Shipping volume: 10.1 ft <sup>3</sup>
	Country of origin: US
	Custom tariff no.: 8413.70.2040



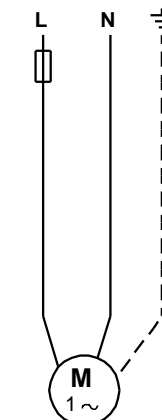
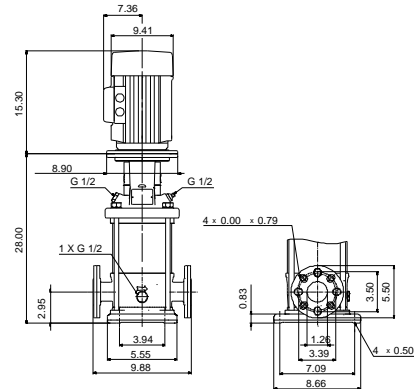
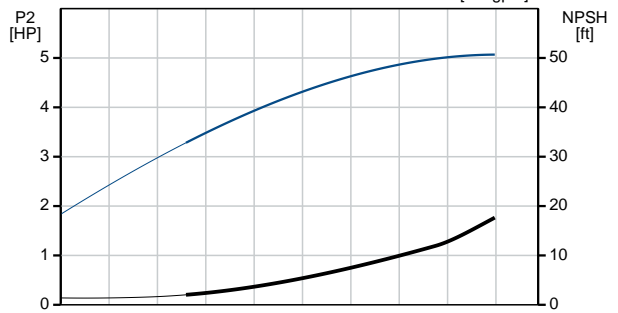
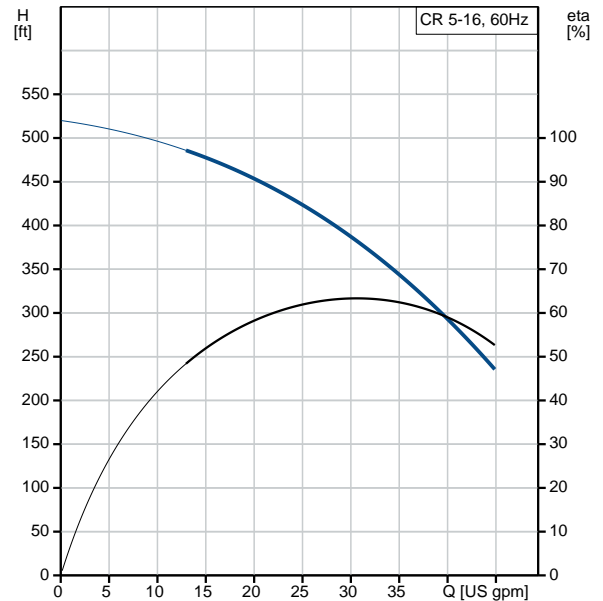
Company name:  
Created by:  
Phone:

Date: 6/3/2019

### 96084278 CR 5-16 A-FGJ-A-E-HQQE 60 Hz



Description	Value
<b>General information:</b>	
Product name:	CR 5-16 A-FGJ-A-E-HQQE
Product No.:	96084278
EAN:	5700395191165
<b>Technical:</b>	
Rated pump speed:	3468 rpm
Rated flow:	30.4 US gpm
Rated head:	375.3 ft
Head max:	512.2 ft
Stages:	16
Impellers:	16
Number of reduced-diameter impellers:	0
Low NPSH:	N
Pump orientation:	Vertical
Shaft seal arrangement:	Single
Code for shaft seal:	HQQE
Approvals on nameplate:	CURUS,NSF61
Curve tolerance:	ISO9906:2012 3B
Pump version:	A
Model:	A
Cooling:	TEFC
<b>Materials:</b>	
Base:	Cast iron EN 1561 EN-GJL-200 ASTM A48-25B
Impeller:	Stainless steel EN 1.4301 AISI 304
Material code:	A
Code for rubber:	E
Bearing:	SIC
<b>Installation:</b>	
Maximum ambient temperature:	104 °F
Maximum operating pressure:	362.59 psi
Max pressure at stated temperature:	363 psi / 250 °F 363 psi / -4 °F
Type of connection:	DIN / ANSI / JIS
Size of inlet connection:	DN 25/32
Size of suction port:	1 1/4 inch
Size of outlet connection:	DN 25/32
Size of outlet port:	1 1/4 inch
Pressure rating for pipe connection:	PN 25
Flange rating inlet:	250 lb
Flange size for motor:	182TC
Connect code:	FGJ
<b>Liquid:</b>	
Pumped liquid:	Water
Liquid temperature range:	-4 .. 248 °F
Selected liquid temperature:	68 °F
Density:	62.29 lb/ft³
<b>Electrical data:</b>	
Motor standard:	NEMA
Motor type:	Baldor
Rated power - P2:	5 HP
Power (P2) required by pump:	5 HP
Main frequency:	60 Hz
Rated voltage:	1 x 208-230 V





Company name:

Created by:

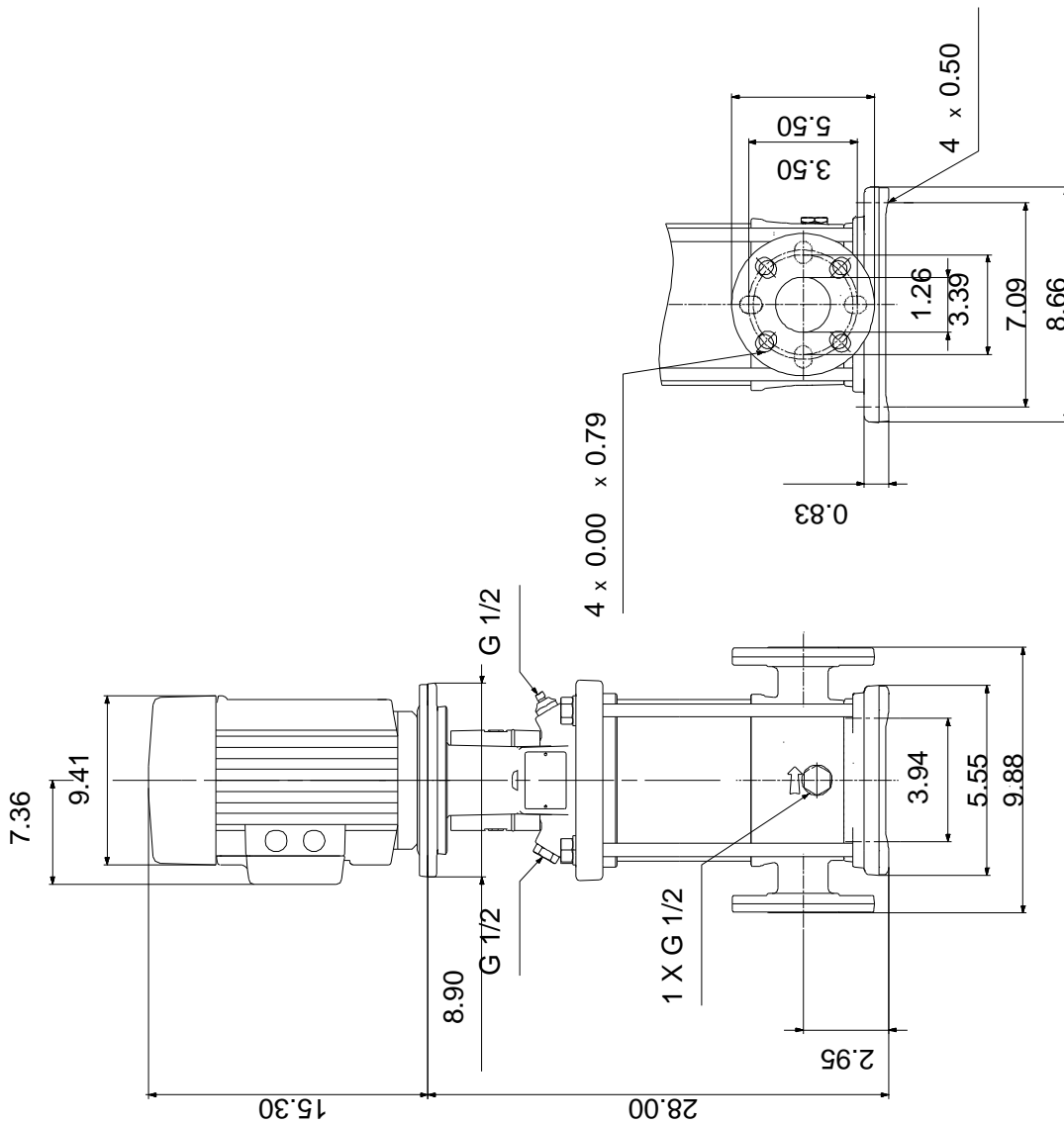
Phone:

Date:

6/3/2019

Description	Value
Service factor:	1.15
Rated current:	24.0-22.0 A
Load current:	27.0-25.0 A
Rated speed:	3450 rpm
Number of poles:	2
Enclosure class (IEC 34-5):	54 Dust/Splashing
Insulation class (IEC 85):	F
Motor protection:	NONE
Motor Number:	85700012
<b>Controls:</b>	
Frequency converter:	NONE
<b>Others:</b>	
Net weight:	164 lb
Gross weight:	182 lb
Shipping volume:	10.1 ft <sup>3</sup>
Country of origin:	US
Custom tariff no.:	8413.70.2040

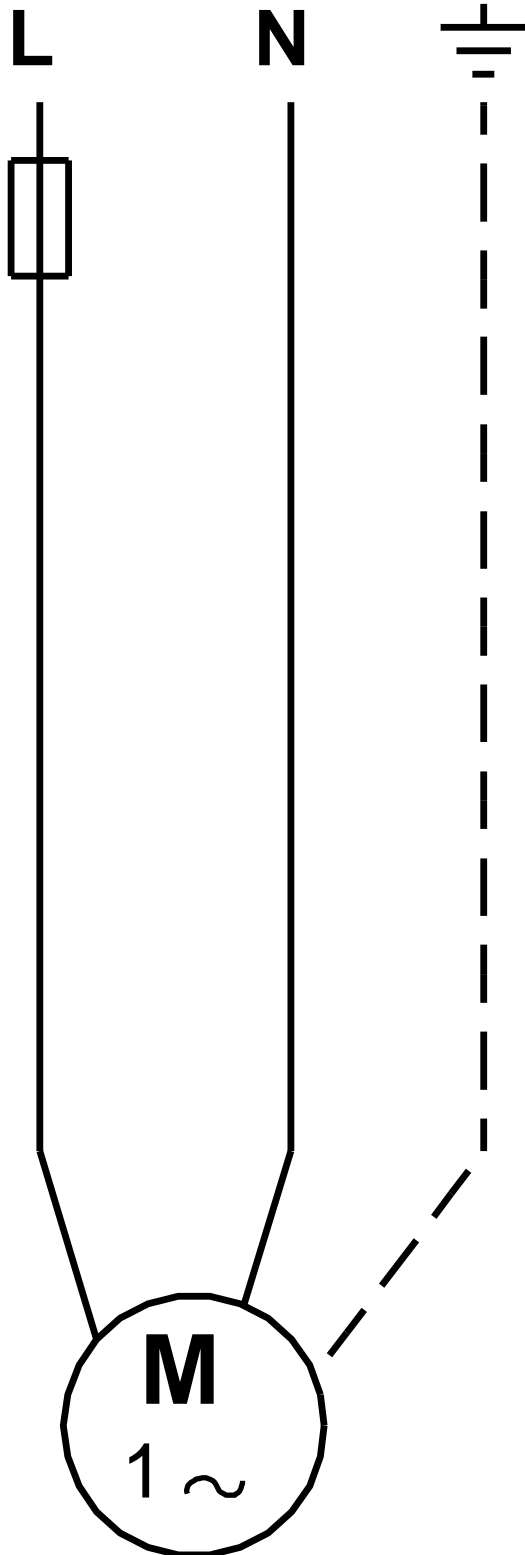
**96084278 CR 5-16 A-FGJ-A-E-HQQE 60 Hz**



Note! All units are in [in] unless otherwise stated.  
 Disclaimer: This simplified dimensional drawing does not show all details.



**96084278 CR 5-16 A-FGJ-A-E-HQQE 60 Hz**



All units are [in] unless otherwise presented.