

PROJECT: _____	UNIT TAG: _____	QUANTITY: _____
REPRESENTATIVE: _____	TYPE OF SERVICE: _____	DATE: _____
ENGINEER: _____	SUBMITTED BY: _____	DATE: _____
CONTRACTOR: _____	APPROVED BY: _____	DATE: _____
	ORDER NO.: _____	DATE: _____

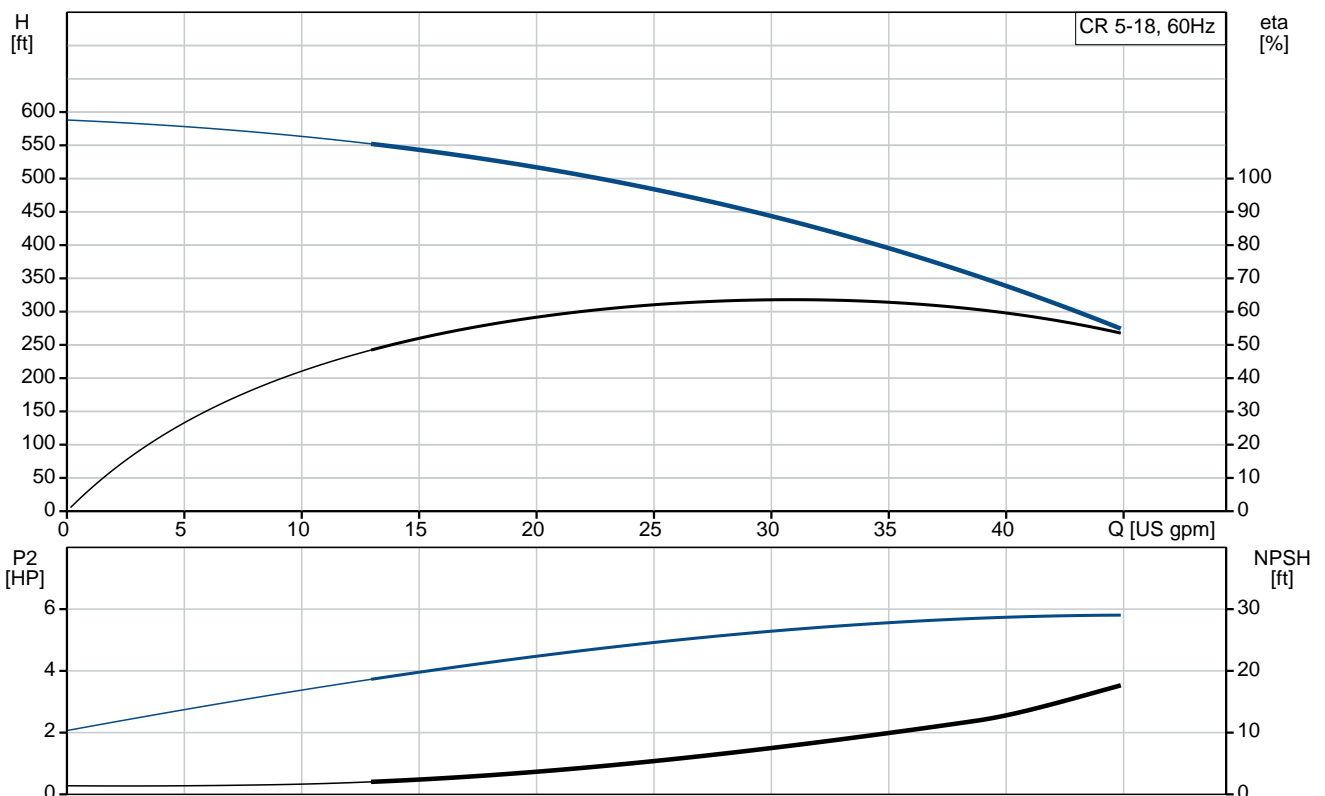


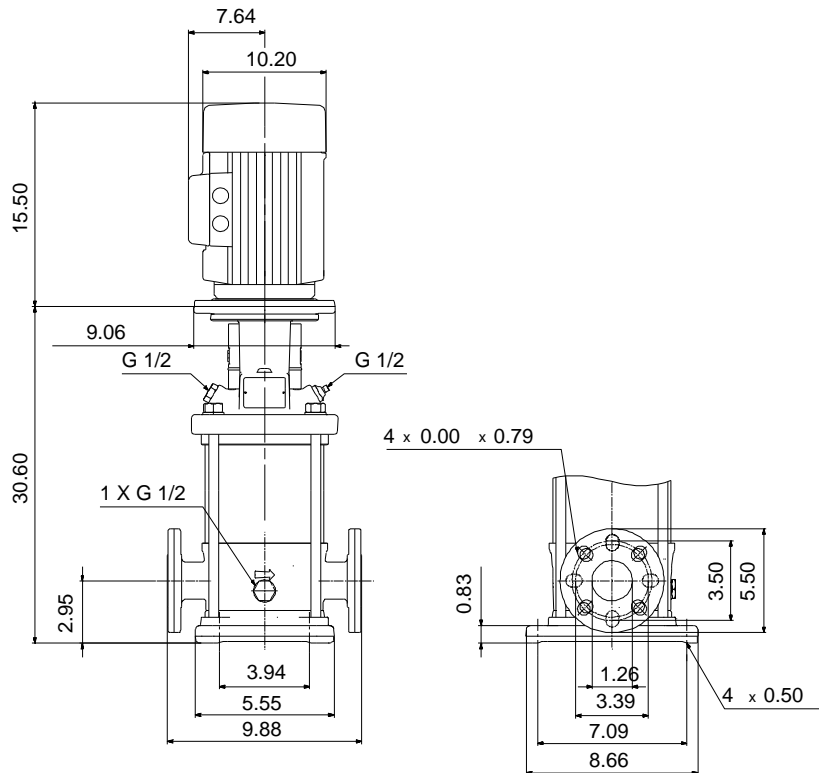
CR 5-18 A-FGJ-A-E-HQQE

Vertical, multistage centrifugal pump with suction and discharge ports on the same level. The pump head and base are in cast iron. All other wetted parts are in stainless steel (EN 1.4301)(AISI 304)

Product photo could vary from the actual product

Conditions of Service	Pump Data	Motor Data
Flow: _____	Max pressure at stated temperature: 363 psi / 250 °F	Rated power - P2: 7.5 HP
Head: _____	Liquid temperature range: -4 .. 248 °F	Rated voltage: 208-230 V
Efficiency: _____	Maximum ambient temperature: 104 °F	Main frequency: 60 Hz
Liquid: Water	Approvals: CURUS,NSF61	Insulation class: F
Temperature: 68 °F	Shaft seal: HQQE	Motor protection: NONE
NPSH required: _____	Product number: 96084280	Motor type: Baldor
Viscosity: _____		
Specific Gravity: _____		






Materials:

Base: Cast iron
 EN 1561 EN-GJL-200
 ASTM A48-25B

Impeller: Stainless steel
 AISI 304
 EN 1.4301

Material code: A
 Code for rubber: E

Count	Description
1	<p data-bbox="225 338 533 367">CR 5-18 A-FGJ-A-E-HQQE</p>  <p data-bbox="225 660 491 689">Product No.: 96084280</p> <p data-bbox="225 692 748 779">Vertical, non-self-priming, multistage, in-line, centrifugal pump for installation in pipe systems and mounting on a foundation.</p> <p data-bbox="225 808 703 837">The pump has the following characteristics:</p> <ul data-bbox="264 840 850 1077" style="list-style-type: none"> - Impellers and intermediate chambers are made of Stainless steel, EN 1.4301. - Pump head and base are made of Cast iron. - The shaft seal has assembly length according to EN 12756. - Power transmission is via cast iron split coupling. - Pipework connection is via DIN / ANSI / JIS flanges. <p data-bbox="225 1106 600 1135">The motor is a 1-phase AC motor.</p> <p data-bbox="225 1164 328 1193">Controls:</p> <p data-bbox="225 1196 662 1225">Frequency converter: NONE</p> <p data-bbox="225 1254 312 1283">Liquid:</p> <p data-bbox="225 1285 659 1314">Pumped liquid: Water</p> <p data-bbox="225 1317 715 1346">Liquid temperature range: -4 .. 248 °F</p> <p data-bbox="225 1348 651 1377">Selected liquid temperature: 68 °F</p> <p data-bbox="225 1379 710 1408">Density: 62.29 lb/ft³</p> <p data-bbox="225 1438 352 1467">Technical:</p> <p data-bbox="225 1469 697 1498">Rated pump speed: 3508 rpm</p> <p data-bbox="225 1500 735 1529">Rated flow: 30.4 US gpm</p> <p data-bbox="225 1532 676 1561">Rated head: 441.6 ft</p> <p data-bbox="225 1563 676 1592">Pump orientation: Vertical</p> <p data-bbox="225 1594 662 1624">Shaft seal arrangement: Single</p> <p data-bbox="225 1626 662 1655">Code for shaft seal: HQQE</p> <p data-bbox="225 1657 761 1686">Approvals on nameplate: CURUS,NSF61</p> <p data-bbox="225 1688 788 1718">Curve tolerance: ISO9906:2012 3B</p> <p data-bbox="225 1747 344 1776">Materials:</p> <p data-bbox="225 1778 831 1845">Base: Cast iron EN 1561 EN-GJL-200 ASTM A48-25B</p> <p data-bbox="225 1848 751 1935">Impeller: Stainless steel EN 1.4301 AISI 304</p> <p data-bbox="225 1937 632 1966">Bearing: SIC</p> <p data-bbox="225 1995 368 2024">Installation:</p> <p data-bbox="225 2027 665 2056">Maximum ambient temperature: 104 °F</p> <p data-bbox="225 2058 707 2087">Maximum operating pressure: 362.59 psi</p>



Company name:

Created by:

Phone:

Date:

6/24/2019

Count	Description
	Max pressure at stated temperature: 363 psi / 250 °F 363 psi / -4 °F
	Type of connection: DIN / ANSI / JIS
	Size of inlet connection: DN 25/32
	Size of outlet connection: DN 25/32
	Pressure rating for pipe connection: PN 25
	Flange rating inlet: 250 lb
	Flange size for motor: 213TC
	Electrical data:
	Motor standard: NEMA
	Motor type: Baldor
	Rated power - P2: 7.5 HP
	Power (P2) required by pump: 7.5 HP
	Main frequency: 60 Hz
	Rated voltage: 1 x 208-230 V
	Service factor: 1.15
	Rated current: 33.8-31.0 A
	Rated speed: 3450 rpm
	Number of poles: 2
	Insulation class (IEC 85): F
	Motor Number: 85700017
	Others:
	Net weight: 184 lb
	Gross weight: 202 lb
	Shipping volume: 11.3 ft ³



Company name:

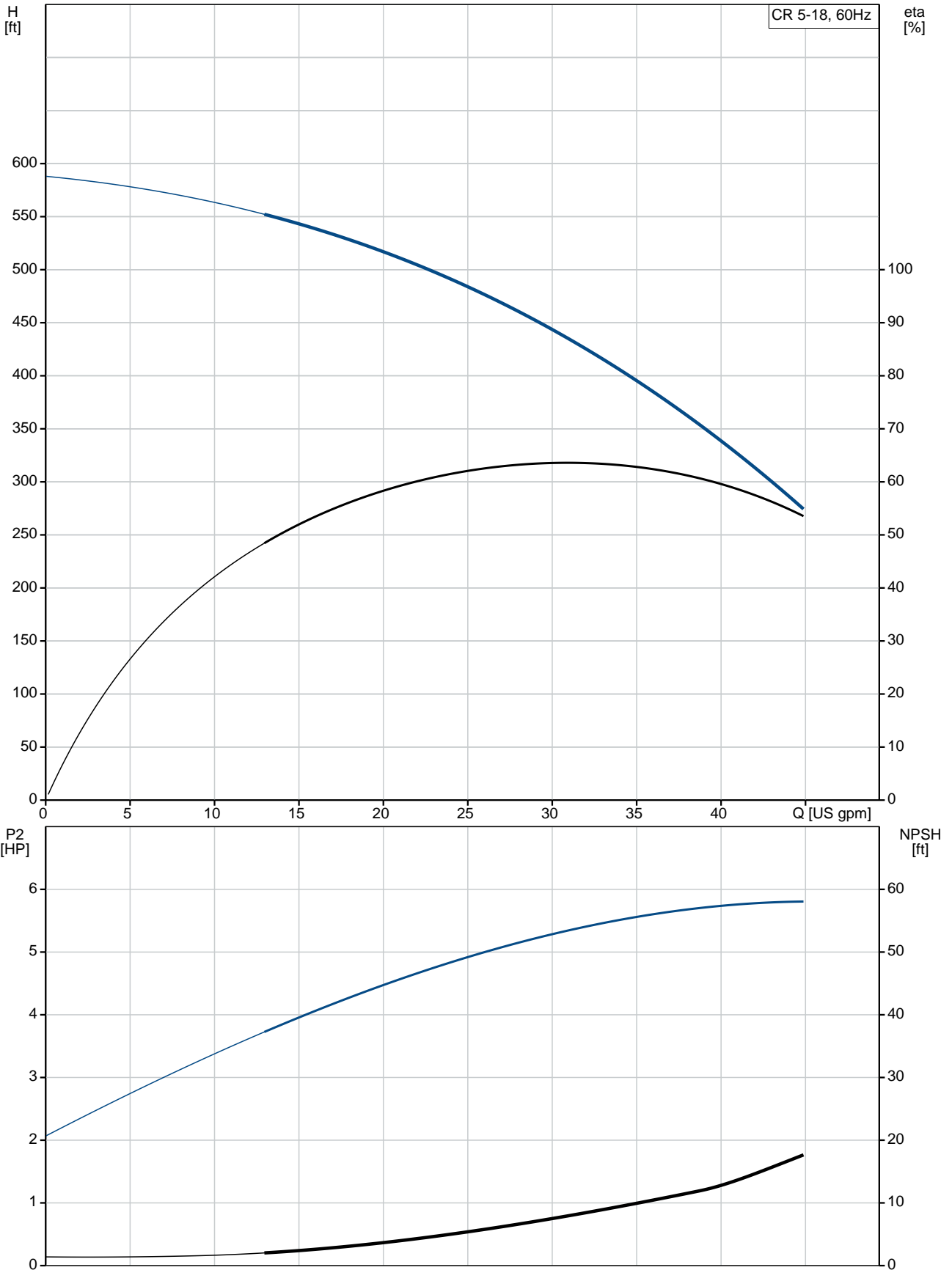
Created by:

Phone:

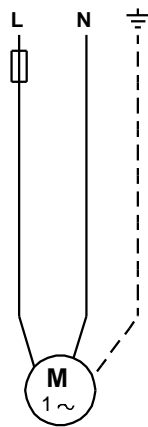
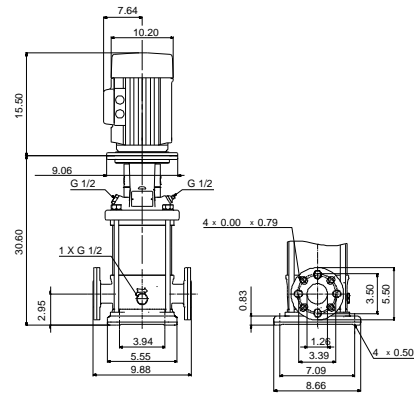
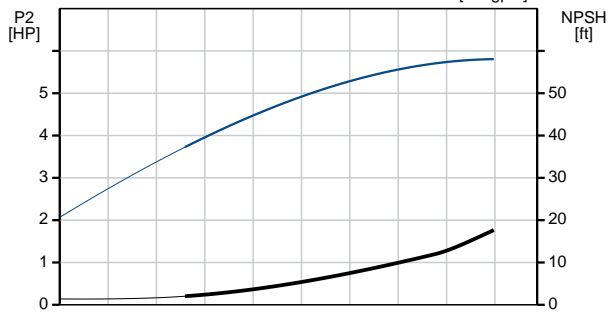
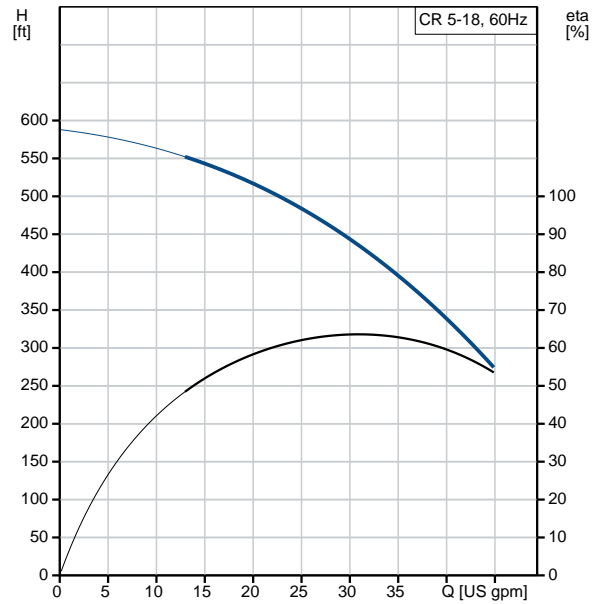
Date:

6/24/2019

96084280 CR 5-18 A-FGJ-A-E-HQQE 60 Hz



Description	Value
General information:	
Product name:	CR 5-18 A-FGJ-A-E-HQQE
Product No.:	96084280
EAN:	5700395191189 5700395191189
Technical:	
Rated pump speed:	3508 rpm
Rated flow:	30.4 US gpm
Rated head:	441.6 ft
Head max:	583 ft
Stages:	18
Impellers:	18
Number of reduced-diameter impellers:	0
Low NPSH:	N
Pump orientation:	Vertical
Shaft seal arrangement:	Single
Code for shaft seal:	HQQE
Approvals on nameplate:	CURUS,NSF61
Curve tolerance:	ISO9906:2012 3B
Pump version:	A
Model:	A
Cooling:	TEFC
Materials:	
Base:	Cast iron EN 1561 EN-GJL-200 ASTM A48-25B
Impeller:	Stainless steel EN 1.4301 AISI 304
Material code:	A
Code for rubber:	E
Bearing:	SIC
Installation:	
Maximum ambient temperature:	104 °F
Maximum operating pressure:	362.59 psi
Max pressure at stated temperature:	363 psi / 250 °F 363 psi / -4 °F
Type of connection:	DIN / ANSI / JIS
Size of inlet connection:	DN 25/32
Size of outlet connection:	DN 25/32
Pressure rating for pipe connection:	PN 25
Flange rating inlet:	250 lb
Flange size for motor:	213TC
Connect code:	FGJ
Liquid:	
Pumped liquid:	Water
Liquid temperature range:	-4 .. 248 °F
Selected liquid temperature:	68 °F
Density:	62.29 lb/ft³
Electrical data:	
Motor standard:	NEMA
Motor type:	Baldor
Rated power - P2:	7.5 HP
Power (P2) required by pump:	7.5 HP
Main frequency:	60 Hz
Rated voltage:	1 x 208-230 V
Service factor:	1.15





Company name:

Created by:

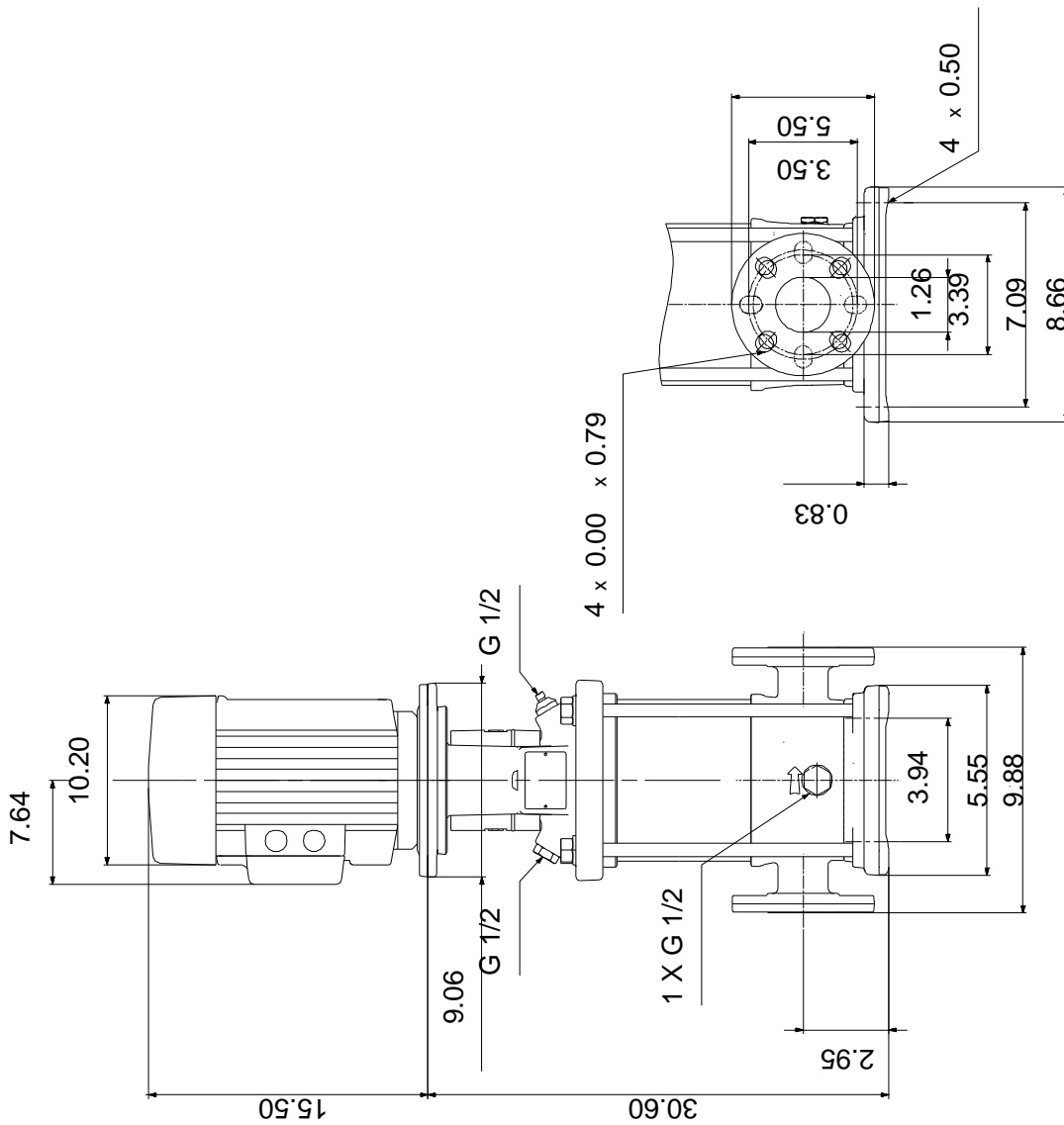
Phone:

Date:

6/24/2019

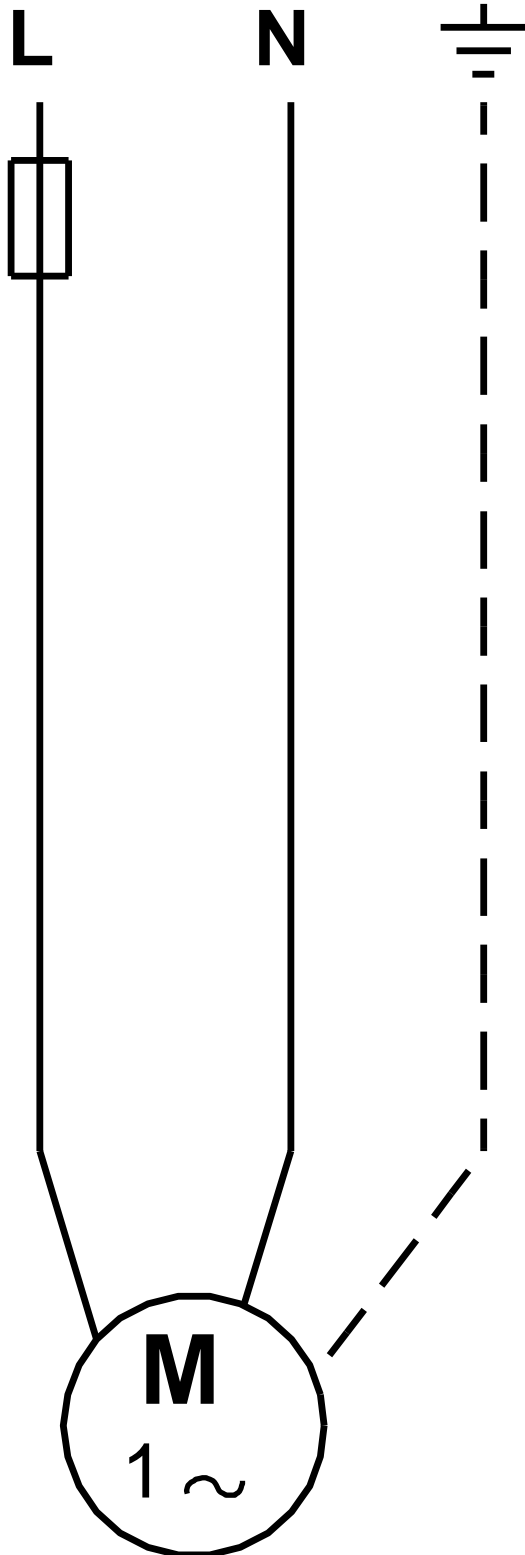
Description	Value
Rated current:	33.8-31.0 A
Load current:	39.3-35.5 A
Rated speed:	3450 rpm
Number of poles:	2
Insulation class (IEC 85):	F
Motor protection:	NONE
Motor Number:	85700017
Controls:	
Frequency converter:	NONE
Others:	
Net weight:	184 lb
Gross weight:	202 lb
Shipping volume:	11.3 ft ³

96084280 CR 5-18 A-FGJ-A-E-HQQE 60 Hz



Note! All units are in [in] unless otherwise stated.
 Disclaimer: This simplified dimensional drawing does not show all details.

96084280 CR 5-18 A-FGJ-A-E-HQQE 60 Hz



All units are [in] unless otherwise presented.