

PROJECT: _____	UNIT TAG: _____	QUANTITY: _____
REPRESENTATIVE: _____	TYPE OF SERVICE: _____	DATE: _____
ENGINEER: _____	SUBMITTED BY: _____	DATE: _____
CONTRACTOR: _____	APPROVED BY: _____	DATE: _____
	ORDER NO.: _____	DATE: _____

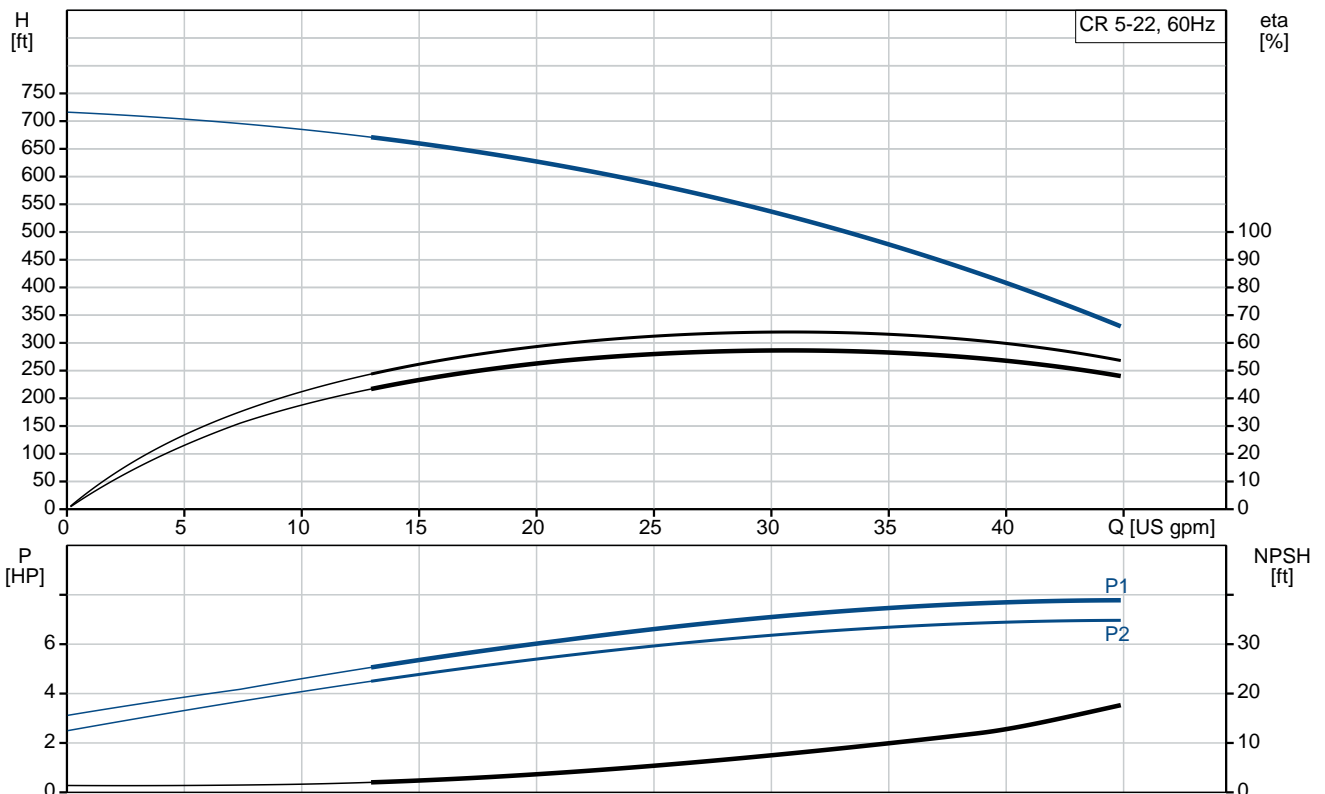
CR 5-22 A-FGJ-A-E-HQQE

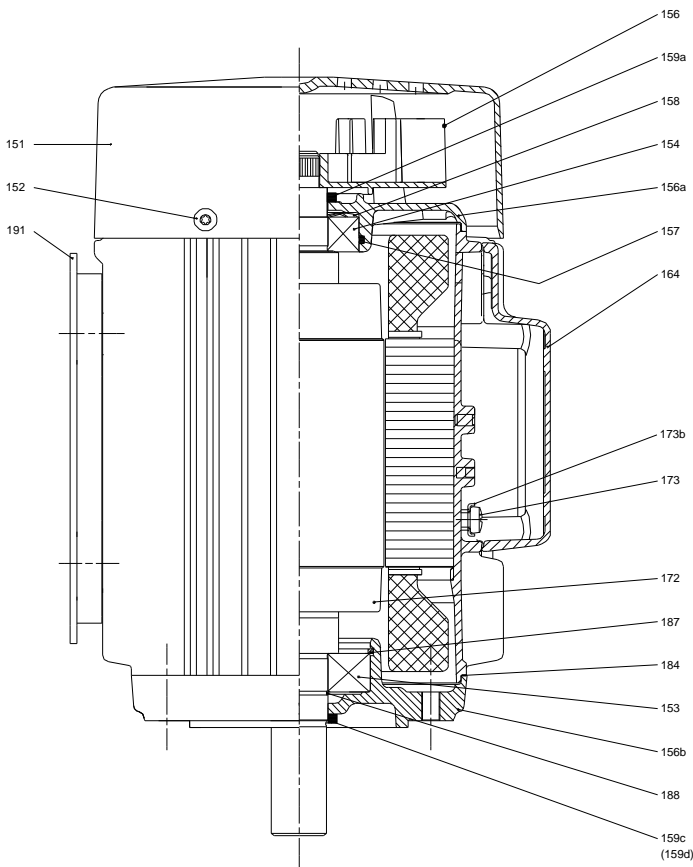
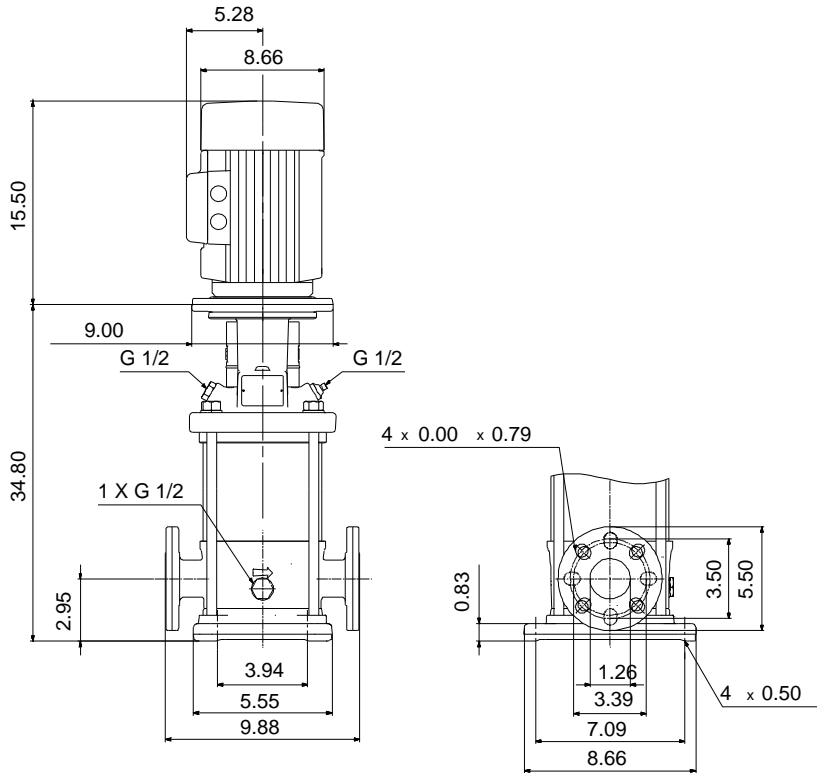


Vertical, multistage centrifugal pump with suction and discharge ports on the same level. The pump head and base are in cast iron. All other wetted parts are in stainless steel (EN 1.4301)(AISI 304)

Product photo could vary from the actual product


Conditions of Service	Pump Data	Motor Data
Flow: _____	Max pressure at stated temperature: 363 psi / 250 °F	Rated power - P2: 7.5 HP
Head: _____	Liquid temperature range: -4 .. 248 °F	Rated voltage: 208-230YY/460Y V
Efficiency: _____	Maximum ambient temperature: 140 °F	Main frequency: 60 Hz
Liquid: Water	Approvals: CURUS,NSF61	Enclosure class: 55 Dust/Jetting
Temperature: 68 °F	Shaft seal: HQQE	Insulation class: F
NPSH required: ft	Product number: 96084285	Motor protection: PTC
Viscosity: _____		Motor type: 132DA
Specific Gravity: 1.000		Motor_efficiency: 89.5 %





Materials:

- Base: Cast iron
EN 1561 EN-GJL-200
ASTM A48-25B
- Impeller: Stainless steel
AISI 304
EN 1.4301
- Material code: A
- Code for rubber: E

Count	Description
1	<p data-bbox="225 338 533 367">CR 5-22 A-FGJ-A-E-HQQE</p>  <p data-bbox="225 663 491 689">Product No.: 96084285</p> <p data-bbox="225 692 748 779">Vertical, non-self-priming, multistage, in-line, centrifugal pump for installation in pipe systems and mounting on a foundation.</p> <p data-bbox="225 810 703 837">The pump has the following characteristics:</p> <ul data-bbox="264 840 850 958" style="list-style-type: none"> - Impellers and intermediate chambers are made of - The shaft seal has assembly length according to EN 12756. - Power transmission is via cast iron split coupling. <p data-bbox="225 1016 600 1043">The motor is a 3-phase AC motor.</p> <p data-bbox="225 1077 328 1104">Controls:</p> <p data-bbox="225 1106 660 1133">Frequency converter: NONE</p> <p data-bbox="225 1167 312 1193">Liquid:</p> <p data-bbox="225 1196 660 1223">Pumped liquid: Water</p> <p data-bbox="225 1225 715 1252">Liquid temperature range: -4 .. 248 °F</p> <p data-bbox="225 1254 651 1281">Selected liquid temperature: 68 °F</p> <p data-bbox="225 1283 708 1310">Density: 62.29 lb/ft³</p> <p data-bbox="225 1344 352 1370">Technical:</p> <p data-bbox="225 1373 695 1400">Rated pump speed: 3467 rpm</p> <p data-bbox="225 1402 735 1429">Rated flow: 30.4 US gpm</p> <p data-bbox="225 1431 676 1458">Rated head: 532.8 ft</p> <p data-bbox="225 1460 675 1487">Pump orientation: Vertical</p> <p data-bbox="225 1489 660 1516">Shaft seal arrangement: Single</p> <p data-bbox="225 1518 663 1545">Code for shaft seal: HQQE</p> <p data-bbox="225 1547 761 1574">Approvals on nameplate: CURUS,NSF61</p> <p data-bbox="225 1576 788 1603">Curve tolerance: ISO9906:2012 3B</p> <p data-bbox="225 1637 344 1664">Materials:</p> <p data-bbox="225 1666 831 1753">Base: Cast iron EN 1561 EN-GJL-200 ASTM A48-25B</p> <p data-bbox="225 1756 751 1843">Impeller: Stainless steel EN 1.4301 AISI 304</p> <p data-bbox="225 1845 632 1872">Bearing: SIC</p> <p data-bbox="225 1906 368 1933">Installation:</p> <p data-bbox="225 1935 663 1962">Maximum ambient temperature: 140 °F</p> <p data-bbox="225 1964 707 1991">Maximum operating pressure: 362.59 psi</p> <p data-bbox="225 1993 828 2054">Max pressure at stated temperature: 363 psi / 250 °F 363 psi / -4 °F</p> <p data-bbox="225 2056 767 2083">Type of connection: DIN / ANSI / JIS</p>



Company name:

Created by:

Phone:

Date:

6/25/2019

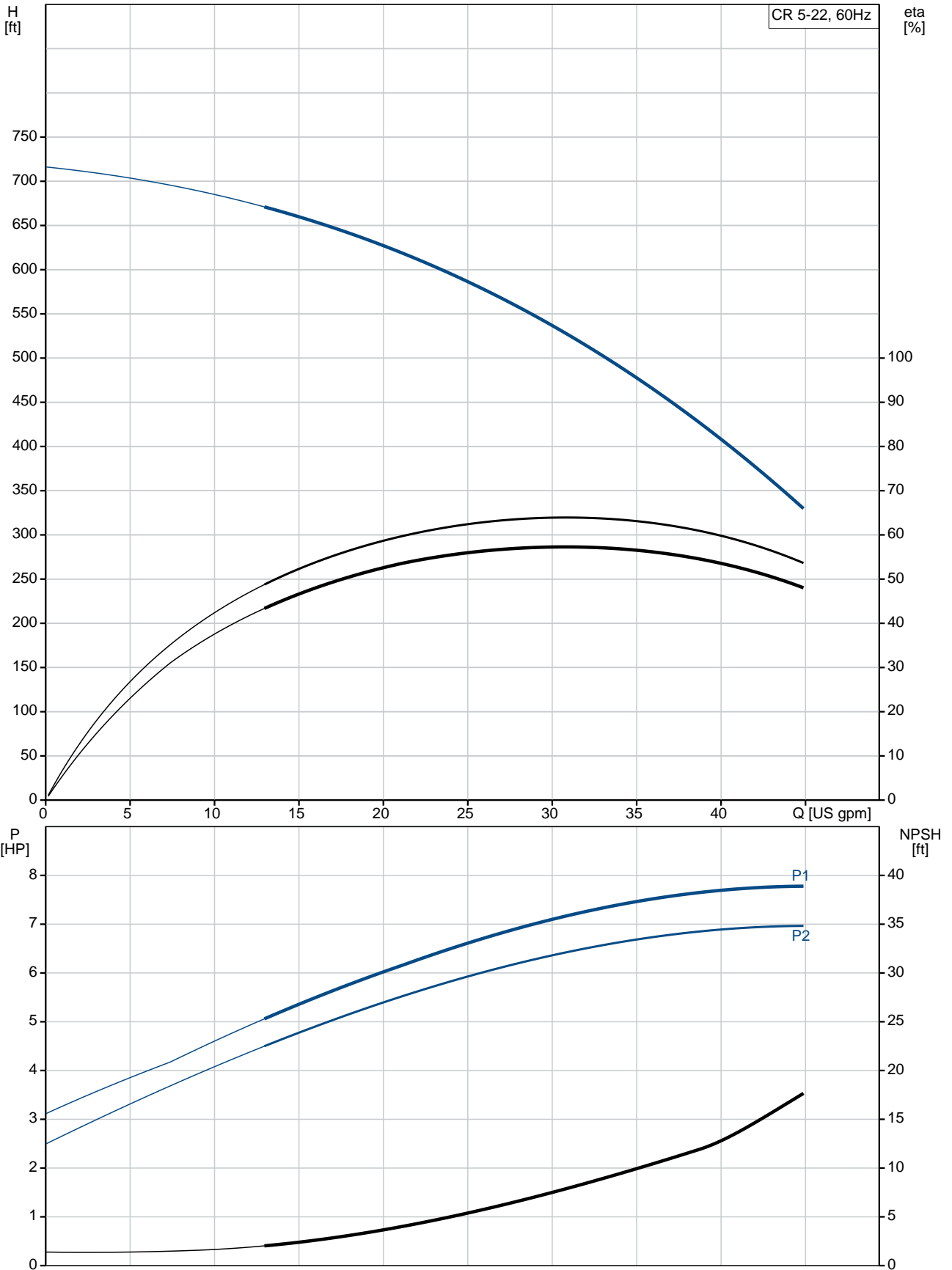
Count	Description
	Size of inlet connection: DN 25/32
	Size of suction port: 1 1/4 inch
	Size of outlet connection: DN 25/32
	Size of outlet port: 1 1/4 inch
	Pressure rating for pipe connection: PN 25
	Flange rating inlet: 250 lb
	Flange size for motor: 213TC
	Electrical data:
	Motor standard: NEMA
	Motor type: 132DA
	IE Efficiency class: NEMA Premium / IE3 60Hz
	Rated power - P2: 7.5 HP
	Power (P2) required by pump: 7.5 HP
	Main frequency: 60 Hz
	Rated voltage: 3 x 208-230YY/460Y V
	Service factor: 1.15
	Rated current: 19,5-18,1/9,09 A
	Starting current: 1020-1480 %
	Cos phi - power factor: 0.89-0.86
	Rated speed: 3490-3520 rpm
	IE efficiency: IE3 89,5%
	Motor efficiency at full load: 89.5 %
	Motor efficiency at 3/4 load: 89.7 %
	Motor efficiency at 1/2 load: 88.3 %
	Number of poles: 2
	Enclosure class (IEC 34-5): 55 Dust/Jetting
	Insulation class (IEC 85): F
	Motor Number: 85904392
	Others:
	Net weight: 172 lb
	Gross weight: 284 lb
	Shipping volume: 11.3 ft ³
	Country of origin: US
	Custom tariff no.: 8413.70.2040



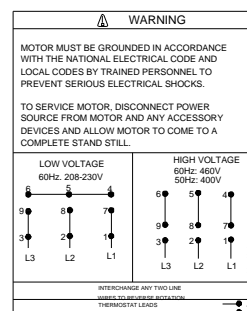
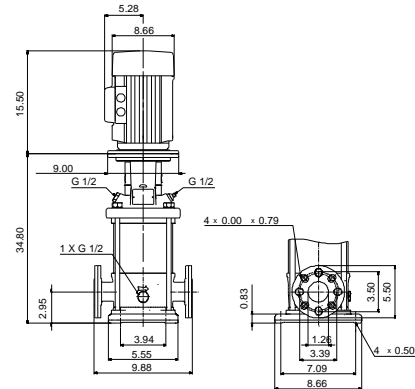
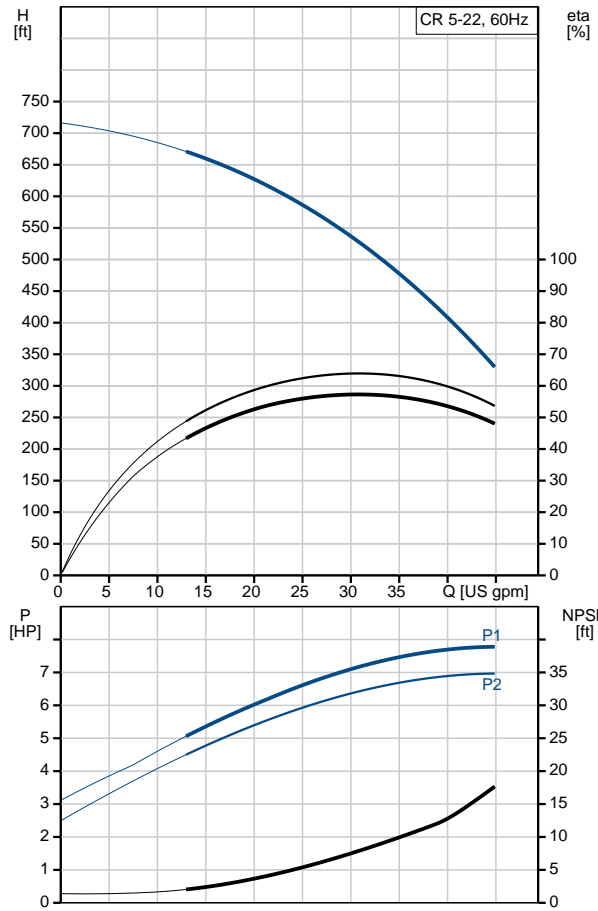
Company name:
Created by:
Phone:

Date: 6/25/2019

96084285 CR 5-22 A-FGJ-A-E-HQQE 60 Hz



Description	Value
General information:	
Product name:	CR 5-22 A-FGJ-A-E-HQQE
Product No.:	96084285
EAN:	5700395191233
Technical:	
Rated pump speed:	3467 rpm
Rated flow:	30.4 US gpm
Rated head:	532.8 ft
Head max:	716.2 ft
Stages:	22
Impellers:	22
Number of reduced-diameter impellers:	0
Low NPSH:	N
Pump orientation:	Vertical
Shaft seal arrangement:	Single
Code for shaft seal:	HQQE
Approvals on nameplate:	CURUS,NSF61
Curve tolerance:	ISO9906:2012 3B
Pump version:	A
Model:	A
Cooling:	TEFC
Materials:	
Base:	Cast iron EN 1561 EN-GJL-200 ASTM A48-25B
Impeller:	Stainless steel EN 1.4301 AISI 304
Material code:	A
Code for rubber:	E
Bearing:	SIC
Installation:	
Maximum ambient temperature:	140 °F
Maximum operating pressure:	362.59 psi
Max pressure at stated temperature:	363 psi / 250 °F 363 psi / -4 °F
Type of connection:	DIN / ANSI / JIS
Size of inlet connection:	DN 25/32
Size of suction port:	1 1/4 inch
Size of outlet connection:	DN 25/32
Size of outlet port:	1 1/4 inch
Pressure rating for pipe connection:	PN 25
Flange rating inlet:	250 lb
Flange size for motor:	213TC
Connect code:	FGJ
Liquid:	
Pumped liquid:	Water
Liquid temperature range:	-4 .. 248 °F
Selected liquid temperature:	68 °F
Density:	62.29 lb/ft³
Electrical data:	
Motor standard:	NEMA
Motor type:	132DA
IE Efficiency class:	NEMA Premium / IE3 60Hz
Rated power - P2:	7.5 HP
Power (P2) required by pump:	7.5 HP





Company name:

Created by:

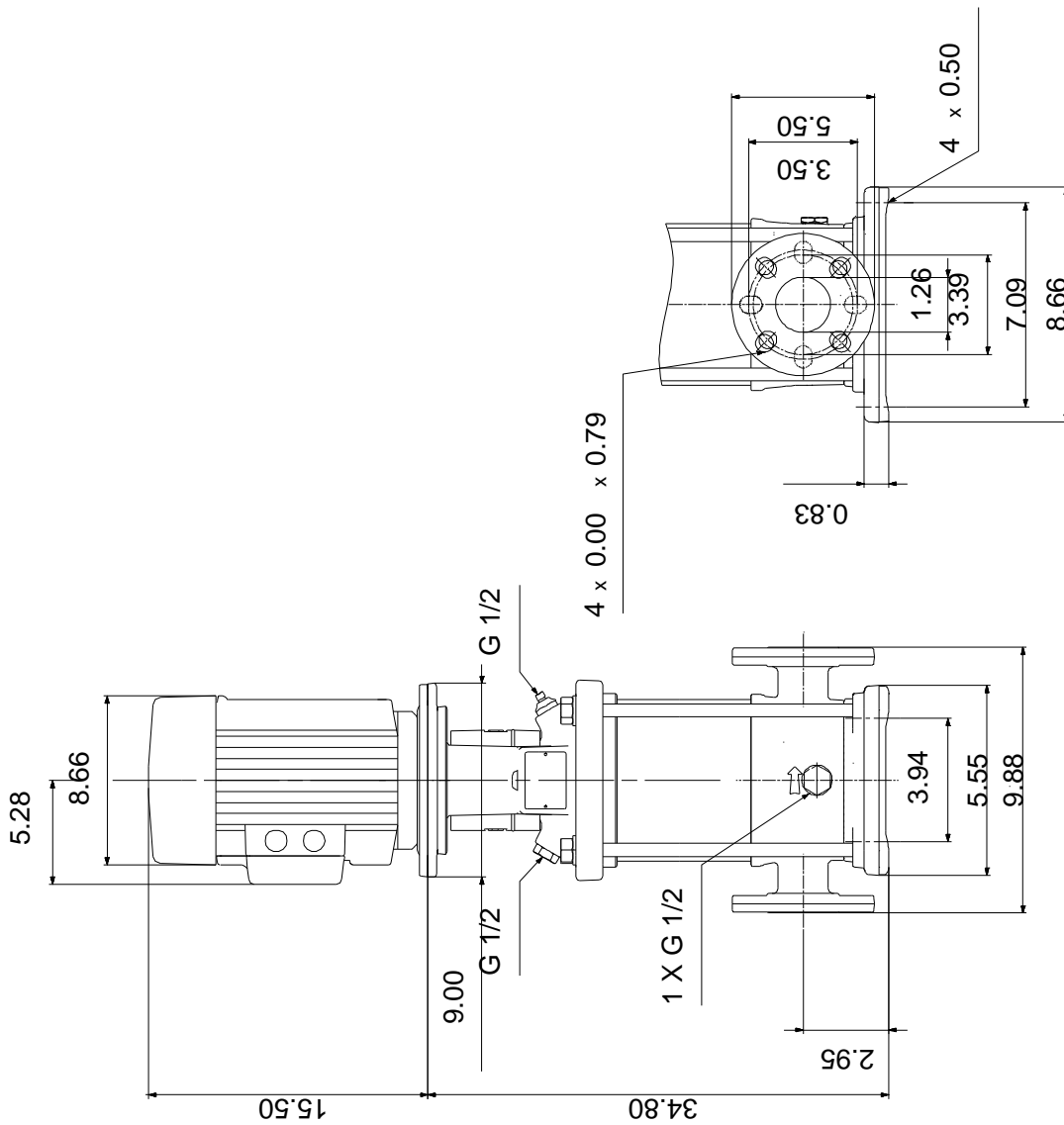
Phone:

Date:

6/25/2019

Description	Value
Main frequency:	60 Hz
Rated voltage:	3 x 208-230YY/460Y V
Service factor:	1.15
Rated current:	19,5-18,1/9,09 A
Starting current:	1020-1480 %
Load current:	22,4-20,8/10,4 A
Cos phi - power factor:	0.89-0.86
Rated speed:	3490-3520 rpm
IE efficiency:	IE3 89,5%
Motor efficiency at full load:	89.5 %
Motor efficiency at 3/4 load:	89.7 %
Motor efficiency at 1/2 load:	88.3 %
Number of poles:	2
Enclosure class (IEC 34-5):	55 Dust/Jetting
Insulation class (IEC 85):	F
Motor protection:	PTC
Motor Number:	85904392
Controls:	
Frequency converter:	NONE
Others:	
Net weight:	172 lb
Gross weight:	284 lb
Shipping volume:	11.3 ft ³
Country of origin:	US
Custom tariff no.:	8413.70.2040

96084285 CR 5-22 A-FGJ-A-E-HQQE 60 Hz



Note! All units are in [in] unless otherwise stated.
 Disclaimer: This simplified dimensional drawing does not show all details.

96084285 CR 5-22 A-FGJ-A-E-HQQE 60 Hz



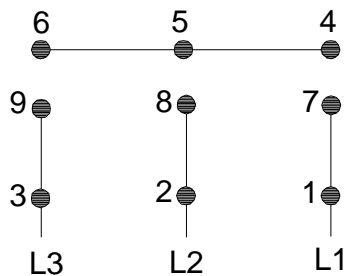
WARNING

MOTOR MUST BE GROUNDED IN ACCORDANCE WITH THE NATIONAL ELECTRICAL CODE AND LOCAL CODES BY TRAINED PERSONNEL TO PREVENT SERIOUS ELECTRICAL SHOCKS.

TO SERVICE MOTOR, DISCONNECT POWER SOURCE FROM MOTOR AND ANY ACCESSORY DEVICES AND ALLOW MOTOR TO COME TO A COMPLETE STAND STILL.

LOW VOLTAGE

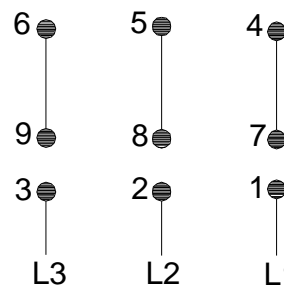
60Hz. 208-230V



HIGH VOLTAGE

60Hz: 460V

50Hz: 400V



96553852

INTERCHANGE ANY TWO LINE WIRES TO REVERSE ROTATION
THERMOSTAT LEADS
(WHEN PROVIDED)

