

PROJECT: _____	UNIT TAG: _____	QUANTITY: _____
REPRESENTATIVE: _____	TYPE OF SERVICE: _____	DATE: _____
ENGINEER: _____	SUBMITTED BY: _____	DATE: _____
CONTRACTOR: _____	APPROVED BY: _____	DATE: _____
	ORDER NO.: _____	DATE: _____

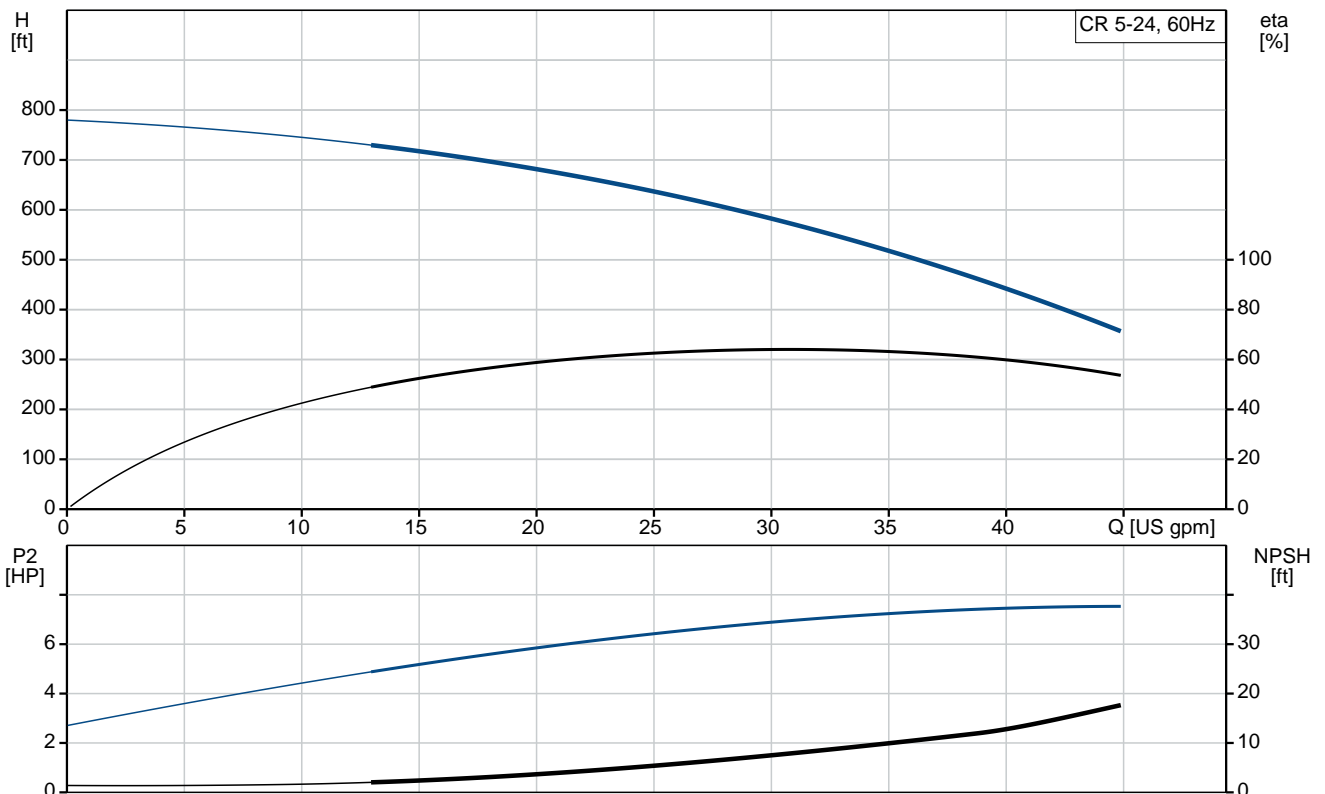


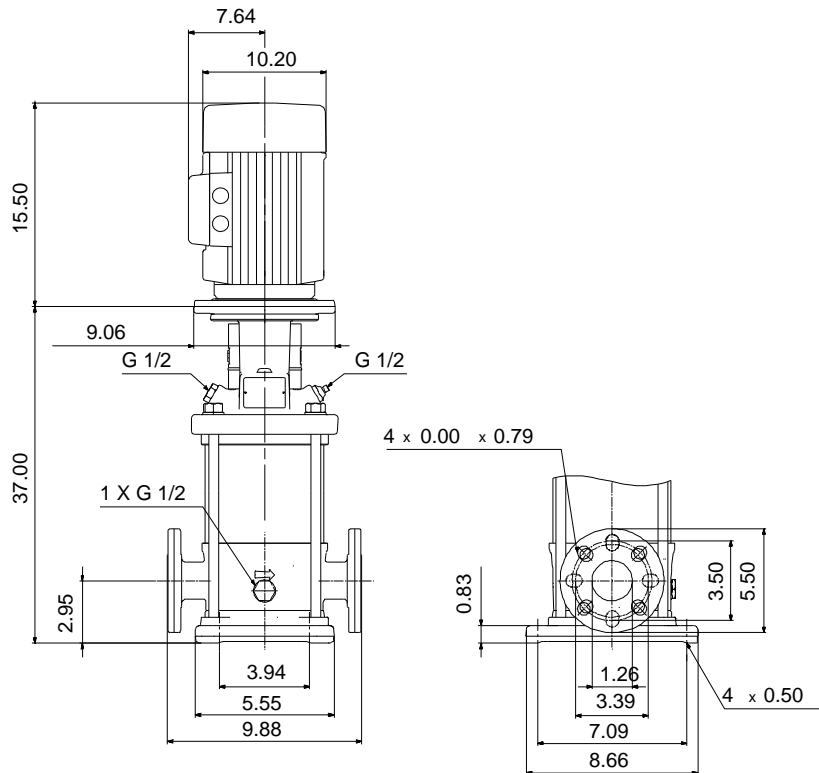
CR 5-24 A-FGJ-A-E-HQQE

Vertical, multistage centrifugal pump with suction and discharge ports on the same level. The pump head and base are in cast iron. All other wetted parts are in stainless steel (EN 1.4301)(AISI 304)

Product photo could vary from the actual product

Conditions of Service	Pump Data	Motor Data
Flow: _____	Max pressure at stated temperature: 363 psi / 250 °F	Rated power - P2: 7.5 HP
Head: _____	Liquid temperature range: -4 .. 248 °F	Rated voltage: 208-230 V
Efficiency: _____	Maximum ambient temperature: 104 °F	Main frequency: 60 Hz
Liquid: Water	Approvals: CURUS,NSF61	Insulation class: F
Temperature: 68 °F	Shaft seal: HQQE	Motor protection: NONE
NPSH required: ft	Product number: 96084286	Motor type: Baldor
Viscosity: _____		
Specific Gravity: 1.000		





Materials:

Base:	Cast iron EN 1561 EN-GJL-200 ASTM A48-25B
Impeller:	Stainless steel AISI 304 EN 1.4301
Material code:	A
Code for rubber:	E

Count	Description
1	<p data-bbox="225 338 534 369">CR 5-24 A-FGJ-A-E-HQQE</p> <div data-bbox="256 378 576 792">  </div> <p data-bbox="619 770 1072 792">Product photo could vary from the actual product</p> <p data-bbox="225 801 491 831">Product No.: 96084286</p> <p data-bbox="225 833 748 920">Vertical, non-self-priming, multistage, in-line, centrifugal pump for installation in pipe systems and mounting on a foundation.</p> <p data-bbox="225 952 703 981">The pump has the following characteristics:</p> <ul data-bbox="263 983 850 1039" style="list-style-type: none"> - Impellers and intermediate chambers are made of - The shaft seal has assembly length <p data-bbox="225 1041 485 1070">according to EN 12756.</p> <ul data-bbox="263 1072 735 1128" style="list-style-type: none"> - Power transmission is via cast iron split coupling. <p data-bbox="225 1160 600 1189">The motor is a 1-phase AC motor.</p> <p data-bbox="225 1220 328 1249">Controls:</p> <p data-bbox="225 1252 662 1281">Frequency converter: NONE</p> <p data-bbox="225 1312 312 1341">Liquid:</p> <p data-bbox="225 1344 659 1373">Pumped liquid: Water</p> <p data-bbox="225 1375 715 1404">Liquid temperature range: -4 .. 248 °F</p> <p data-bbox="225 1406 651 1435">Selected liquid temperature: 68 °F</p> <p data-bbox="225 1438 710 1467">Density: 62.29 lb/ft³</p> <p data-bbox="225 1498 352 1527">Technical:</p> <p data-bbox="225 1529 695 1559">Rated pump speed: 3508 rpm</p> <p data-bbox="225 1561 735 1590">Rated flow: 30.4 US gpm</p> <p data-bbox="225 1592 676 1621">Rated head: 583.7 ft</p> <p data-bbox="225 1624 676 1653">Pump orientation: Vertical</p> <p data-bbox="225 1655 660 1684">Shaft seal arrangement: Single</p> <p data-bbox="225 1686 663 1715">Code for shaft seal: HQQE</p> <p data-bbox="225 1718 759 1747">Approvals on nameplate: CURUS,NSF61</p> <p data-bbox="225 1749 788 1778">Curve tolerance: ISO9906:2012 3B</p> <p data-bbox="225 1809 344 1839">Materials:</p> <p data-bbox="225 1841 831 1899">Base: Cast iron EN 1561 EN-GJL-200 ASTM A48-25B</p> <p data-bbox="225 1908 751 1966">Impeller: Stainless steel EN 1.4301</p> <p data-bbox="225 1975 687 2033">Bearing: AISI 304 SIC</p> <p data-bbox="225 2065 368 2094">Installation:</p> <p data-bbox="225 2096 663 2125">Maximum ambient temperature: 104 °F</p>



Company name:

Created by:

Phone:

Date:

6/25/2019

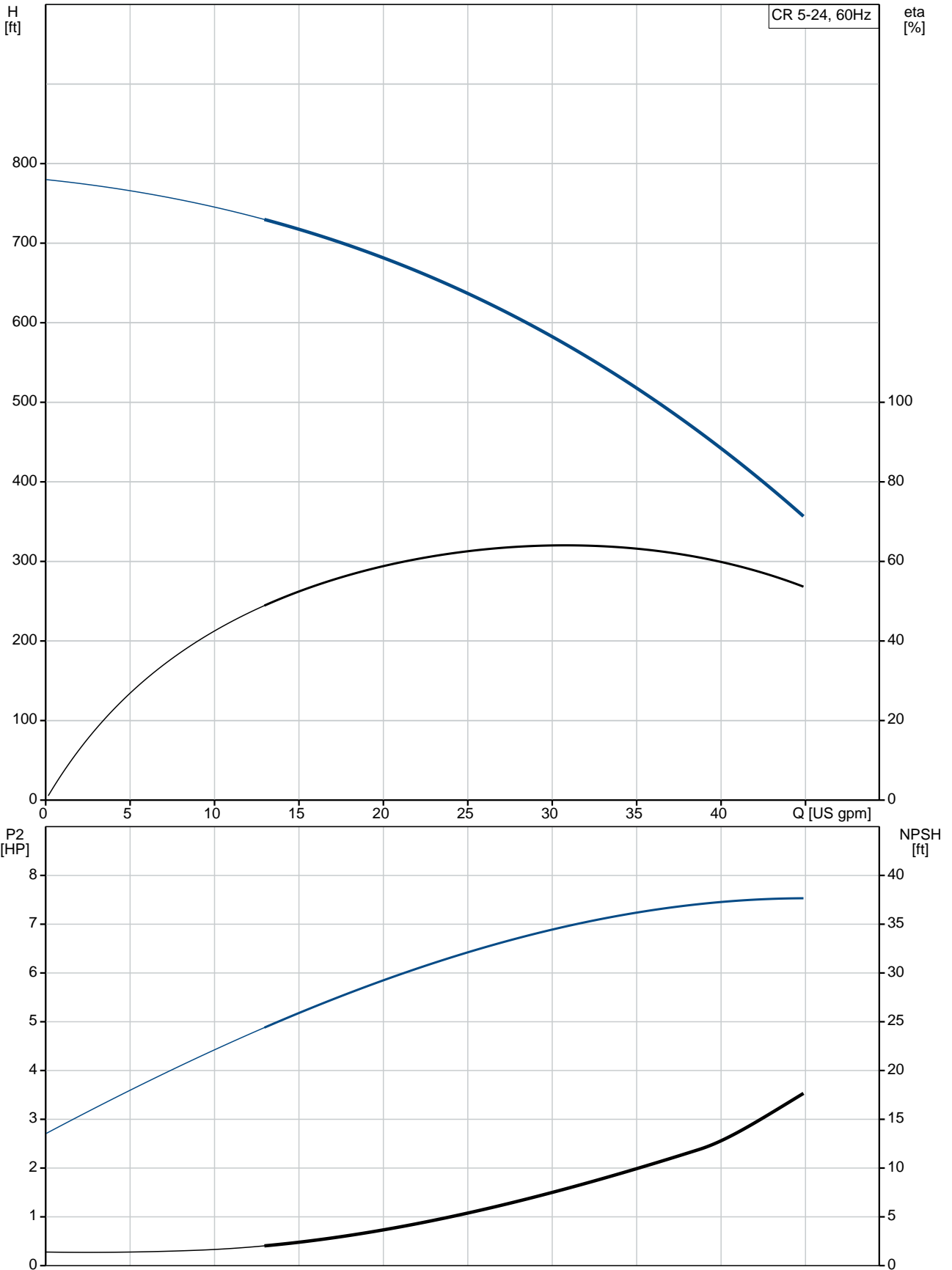
Count	Description
	Maximum operating pressure: 362.59 psi Max pressure at stated temperature: 363 psi / 250 °F 363 psi / -4 °F
	Type of connection: DIN / ANSI / JIS
	Size of inlet connection: DN 25/32
	Size of suction port: 1 1/4 inch
	Size of outlet connection: DN 25/32
	Size of outlet port: 1 1/4 inch
	Pressure rating for pipe connection: PN 25
	Flange rating inlet: 250 lb
	Flange size for motor: 213TC
	Electrical data:
	Motor standard: NEMA
	Motor type: Baldor
	Rated power - P2: 7.5 HP
	Power (P2) required by pump: 7.5 HP
	Main frequency: 60 Hz
	Rated voltage: 1 x 208-230 V
	Service factor: 1.15
	Rated current: 33.8-31.0 A
	Rated speed: 3450 rpm
	Number of poles: 2
	Insulation class (IEC 85): F
	Motor Number: 85700017
	Others:
	Net weight: 192 lb
	Gross weight: 304 lb
	Shipping volume: 12.9 ft ³
	Country of origin: US
	Custom tariff no.: 8413.70.2040



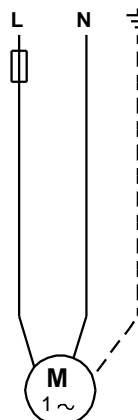
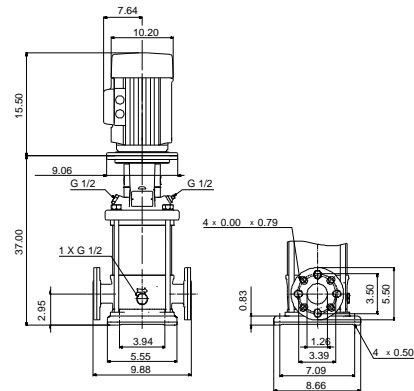
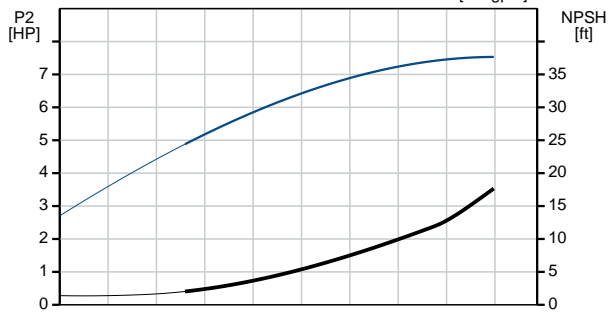
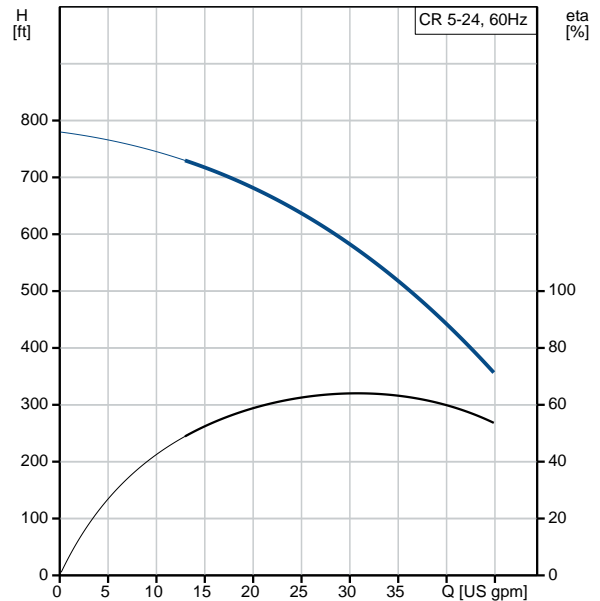
Company name:
Created by:
Phone:

Date: 6/25/2019

96084286 CR 5-24 A-FGJ-A-E-HQQE 60 Hz



Description	Value
General information:	
Product name:	CR 5-24 A-FGJ-A-E-HQQE
Product No.:	96084286
EAN:	5700395191240
Technical:	
Rated pump speed:	3508 rpm
Rated flow:	30.4 US gpm
Rated head:	583.7 ft
Head max:	774.6 ft
Stages:	24
Impellers:	24
Number of reduced-diameter impellers:	0
Low NPSH:	N
Pump orientation:	Vertical
Shaft seal arrangement:	Single
Code for shaft seal:	HQQE
Approvals on nameplate:	CURUS,NSF61
Curve tolerance:	ISO9906:2012 3B
Pump version:	A
Model:	A
Cooling:	TEFC
Materials:	
Base:	Cast iron EN 1561 EN-GJL-200
Impeller:	Stainless steel ASTM A48-25B EN 1.4301 AISI 304
Material code:	A
Code for rubber:	E
Bearing:	SIC
Installation:	
Maximum ambient temperature:	104 °F
Maximum operating pressure:	362.59 psi
Max pressure at stated temperature:	363 psi / 250 °F 363 psi / -4 °F
Type of connection:	DIN / ANSI / JIS
Size of inlet connection:	DN 25/32
Size of suction port:	1 1/4 inch
Size of outlet connection:	DN 25/32
Size of outlet port:	1 1/4 inch
Pressure rating for pipe connection:	PN 25
Flange rating inlet:	250 lb
Flange size for motor:	213TC
Connect code:	FGJ
Liquid:	
Pumped liquid:	Water
Liquid temperature range:	-4 .. 248 °F
Selected liquid temperature:	68 °F
Density:	62.29 lb/ft³
Electrical data:	
Motor standard:	NEMA
Motor type:	Baldor
Rated power - P2:	7.5 HP
Power (P2) required by pump:	7.5 HP
Main frequency:	60 Hz
Rated voltage:	1 x 208-230 V





Company name:

Created by:

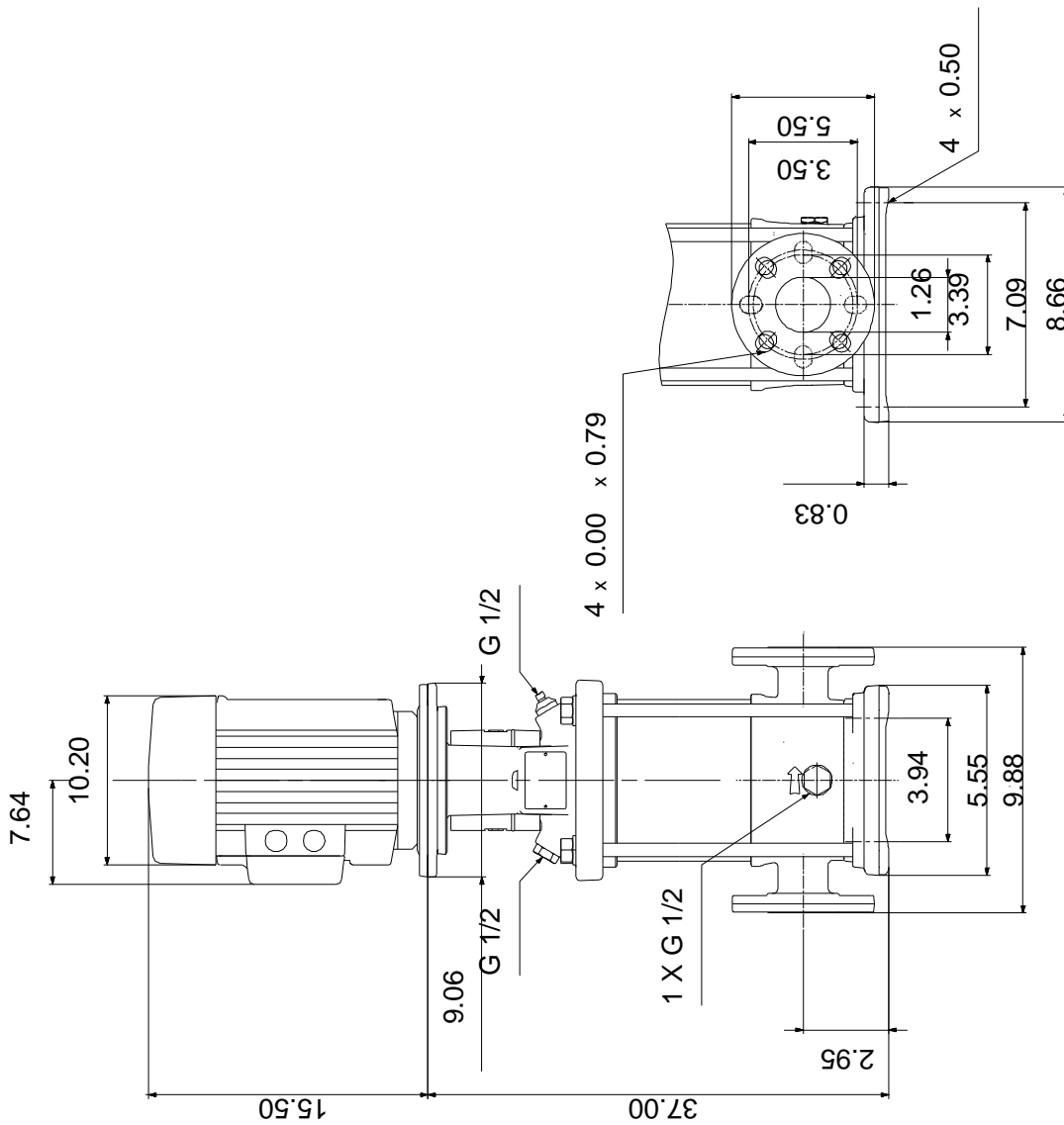
Phone:

Date:

6/25/2019

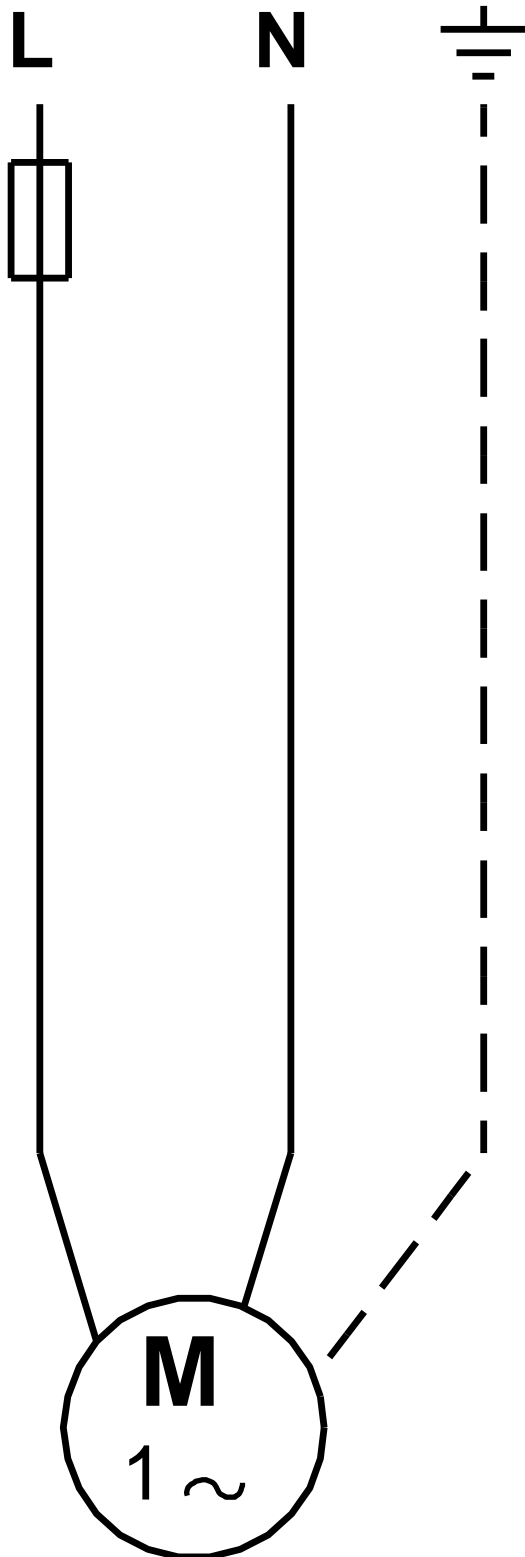
Description	Value
Service factor:	1.15
Rated current:	33.8-31.0 A
Load current:	39.3-35.5 A
Rated speed:	3450 rpm
Number of poles:	2
Insulation class (IEC 85):	F
Motor protection:	NONE
Motor Number:	85700017
Controls:	
Frequency converter:	NONE
Others:	
Net weight:	192 lb
Gross weight:	304 lb
Shipping volume:	12.9 ft ³
Country of origin:	US
Custom tariff no.:	8413.70.2040

96084286 CR 5-24 A-FGJ-A-E-HQQE 60 Hz



Note! All units are in [in] unless otherwise stated.
Disclaimer: This simplified dimensional drawing does not show all details.

96084286 CR 5-24 A-FGJ-A-E-HQQE 60 Hz



All units are [in] unless otherwise presented.