

| | | |
|-----------------------|------------------------|-----------------|
| PROJECT: _____ | UNIT TAG: _____ | QUANTITY: _____ |
| REPRESENTATIVE: _____ | TYPE OF SERVICE: _____ | DATE: _____ |
| ENGINEER: _____ | SUBMITTED BY: _____ | DATE: _____ |
| CONTRACTOR: _____ | APPROVED BY: _____ | DATE: _____ |
| | ORDER NO.: _____ | DATE: _____ |

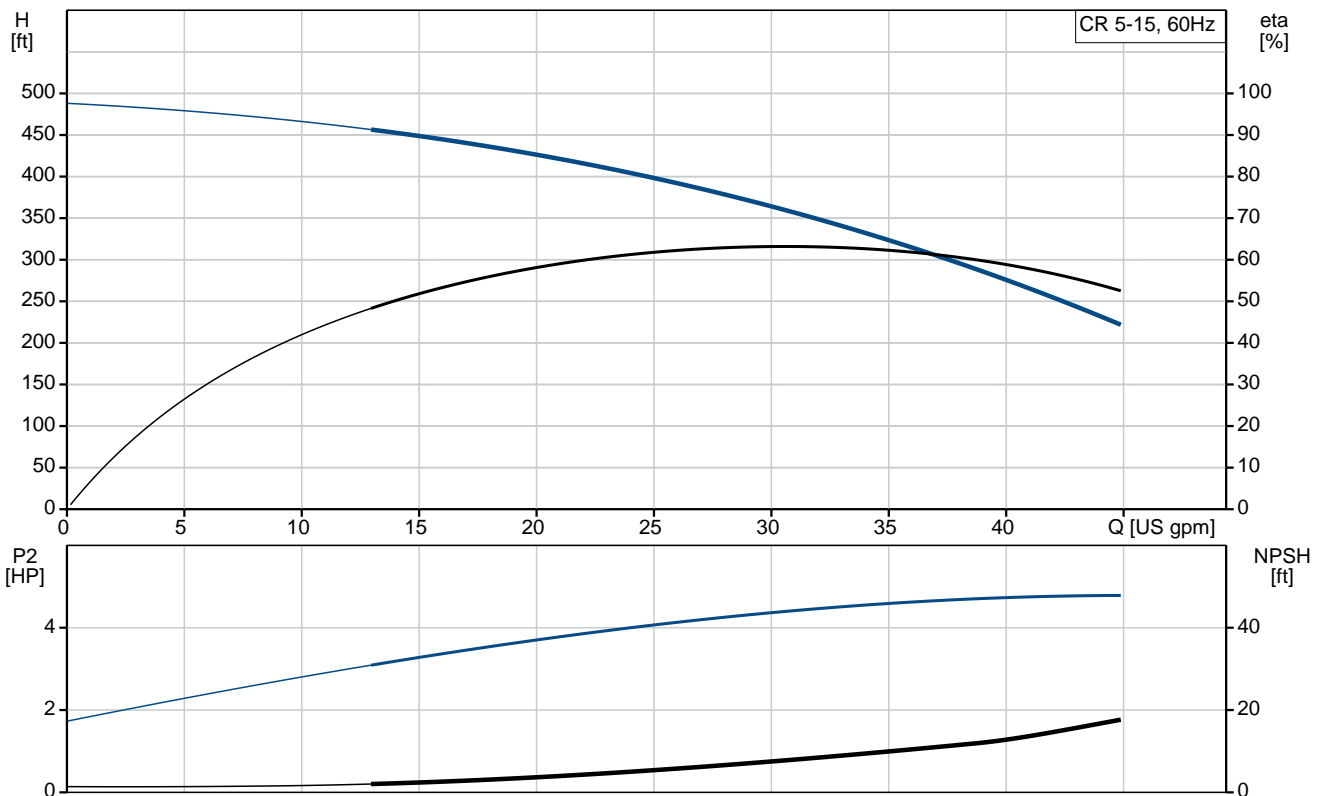


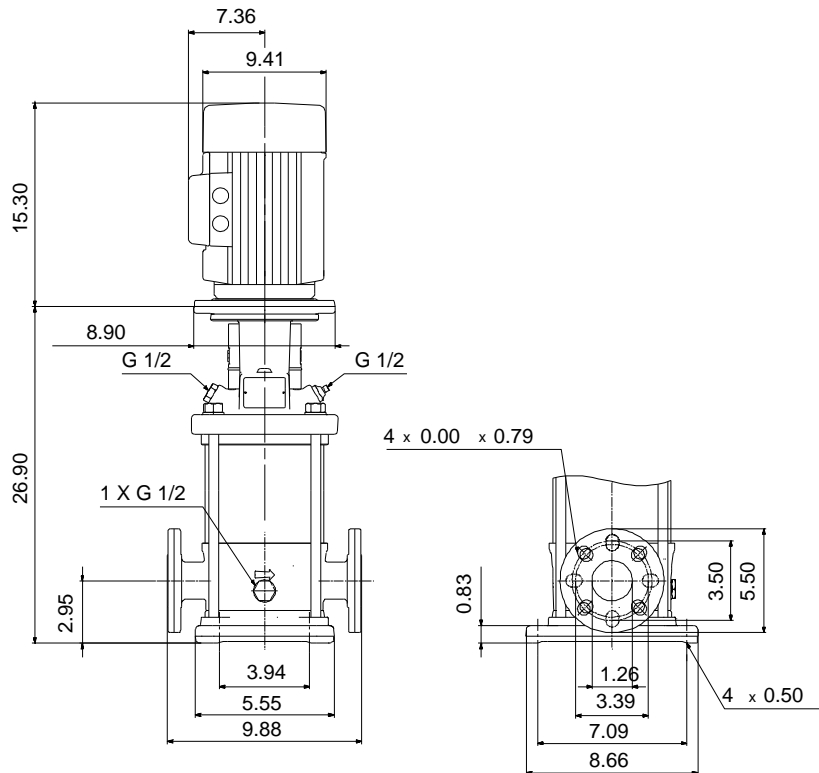
CR 5-15 A-FGJ-A-V-HQQV

Vertical, multistage centrifugal pump with suction and discharge ports on the same level. The pump head and base are in cast iron. All other wetted parts are in stainless steel (EN 1.4301)(AISI 304)

Product photo could vary from the actual product


| Conditions of Service | Pump Data | Motor Data |
|-------------------------|--|------------------------------------|
| Flow: _____ | Max pressure at stated temperature: 363 psi / 194 °F | Rated power - P2: 5 HP |
| Head: _____ | Liquid temperature range: -4 .. 194 °F | Rated voltage: 208-230 V |
| Efficiency: _____ | Maximum ambient temperature: 104 °F | Main frequency: 60 Hz |
| Liquid: Water | Approvals: CURUS | Enclosure class: 54 Dust/Splashing |
| Temperature: 68 °F | Shaft seal: HQQV | Insulation class: F |
| NPSH required: ft | Product number: 96084371 | Motor protection: NONE |
| Viscosity: _____ | | Motor type: Baldor |
| Specific Gravity: 1.000 | | |





Materials:

| | |
|------------------|---|
| Base: | Cast iron EN 1561 EN-GJL-200 ASTM A48-25B |
| Impeller: | Stainless steel AISI 304 EN 1.4301 |
| Material code: | A |
| Code for rubber: | V |

| Count | Description |
|-------|--|
| 1 | <p data-bbox="225 338 533 360">CR 5-15 A-FGJ-A-V-HQQV</p> <div data-bbox="373 376 459 622" style="text-align: center;">  </div> <p data-bbox="225 663 488 685">Product No.: 96084371</p> <p data-bbox="225 692 748 777">Vertical, non-self-priming, multistage, in-line, centrifugal pump for installation in pipe systems and mounting on a foundation.</p> <p data-bbox="225 810 702 835">The pump has the following characteristics:</p> <ul data-bbox="264 840 850 954" style="list-style-type: none"> - Impellers and intermediate chambers are made of - The shaft seal has assembly length according to EN 12756. - Power transmission is via cast iron split coupling. <p data-bbox="225 1016 600 1041">The motor is a 1-phase AC motor.</p> <p data-bbox="225 1077 325 1102">Controls:</p> <p data-bbox="225 1106 660 1131">Frequency converter: NONE</p> <p data-bbox="225 1167 309 1191">Liquid:</p> <p data-bbox="225 1196 660 1220">Pumped liquid: Water</p> <p data-bbox="225 1225 713 1249">Liquid temperature range: -4 .. 194 °F</p> <p data-bbox="225 1254 651 1279">Selected liquid temperature: 68 °F</p> <p data-bbox="225 1283 708 1308">Density: 62.29 lb/ft³</p> <p data-bbox="225 1344 349 1368">Technical:</p> <p data-bbox="225 1373 695 1397">Rated pump speed: 3468 rpm</p> <p data-bbox="225 1402 735 1426">Rated flow: 30.4 US gpm</p> <p data-bbox="225 1431 655 1456">Rated head: 353 ft</p> <p data-bbox="225 1460 675 1485">Pump orientation: Vertical</p> <p data-bbox="225 1489 660 1514">Shaft seal arrangement: Single</p> <p data-bbox="225 1518 660 1543">Code for shaft seal: HQQV</p> <p data-bbox="225 1547 679 1572">Approvals on nameplate: CURUS</p> <p data-bbox="225 1576 788 1601">Curve tolerance: ISO9906:2012 3B</p> <p data-bbox="225 1637 341 1662">Materials:</p> <p data-bbox="225 1666 831 1753">Base: Cast iron EN 1561 EN-GJL-200 ASTM A48-25B</p> <p data-bbox="225 1758 751 1845">Impeller: Stainless steel EN 1.4301 AISI 304</p> <p data-bbox="225 1850 632 1874">Bearing: SIC</p> <p data-bbox="225 1910 365 1935">Installation:</p> <p data-bbox="225 1939 663 1964">Maximum ambient temperature: 104 °F</p> <p data-bbox="225 1968 705 1993">Maximum operating pressure: 362.59 psi</p> <p data-bbox="225 1998 828 2054">Max pressure at stated temperature: 363 psi / 194 °F 363 psi / -4 °F</p> <p data-bbox="225 2058 767 2083">Type of connection: DIN / ANSI / JIS</p> |



Company name:

Created by:

Phone:

Date:

6/3/2019

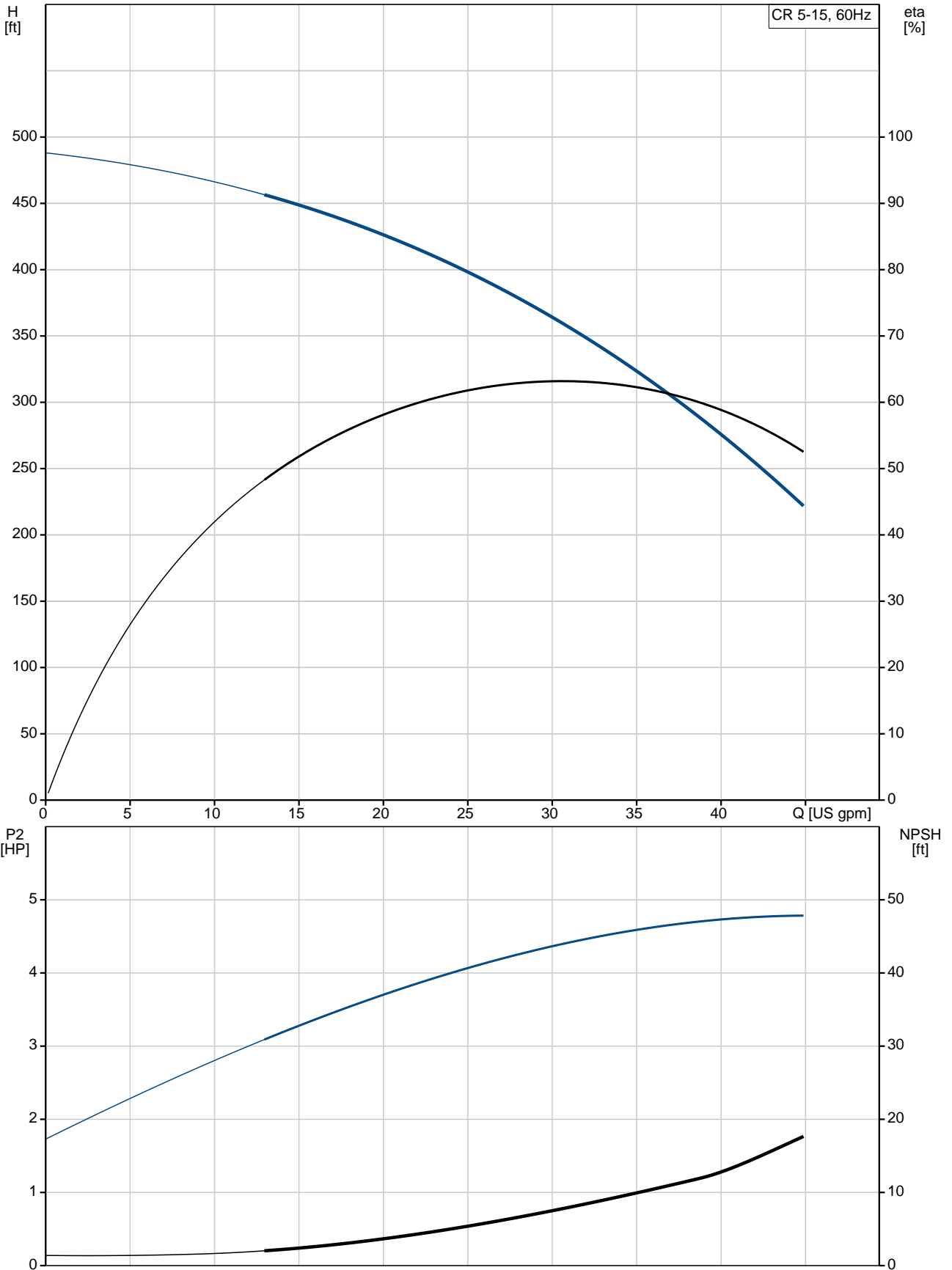
| Count | Description |
|-------|---|
| | Size of inlet connection: DN 25/32 |
| | Size of suction port: 1 1/4 inch |
| | Size of outlet connection: DN 25/32 |
| | Size of outlet port: 1 1/4 inch |
| | Pressure rating for pipe connection: PN 25 |
| | Flange rating inlet: 250 lb |
| | Flange size for motor: 182TC |
| | Electrical data: |
| | Motor standard: NEMA |
| | Motor type: Baldor |
| | Rated power - P2: 5 HP |
| | Power (P2) required by pump: 5 HP |
| | Main frequency: 60 Hz |
| | Rated voltage: 1 x 208-230 V |
| | Service factor: 1.15 |
| | Rated current: 24.0-22.0 A |
| | Rated speed: 3450 rpm |
| | Number of poles: 2 |
| | Enclosure class (IEC 34-5): 54 Dust/Splashing |
| | Insulation class (IEC 85): F |
| | Motor Number: 85700012 |
| | Others: |
| | Net weight: 163 lb |
| | Gross weight: 181 lb |
| | Shipping volume: 10.1 ft ³ |
| | Country of origin: US |
| | Custom tariff no.: 8413.70.2040 |



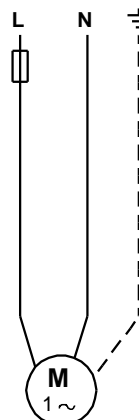
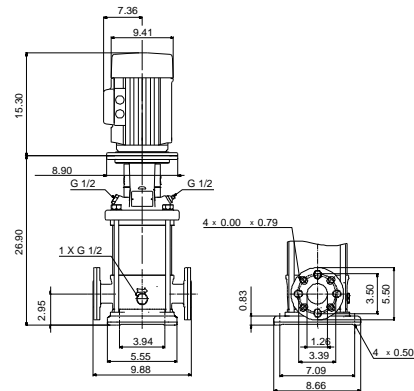
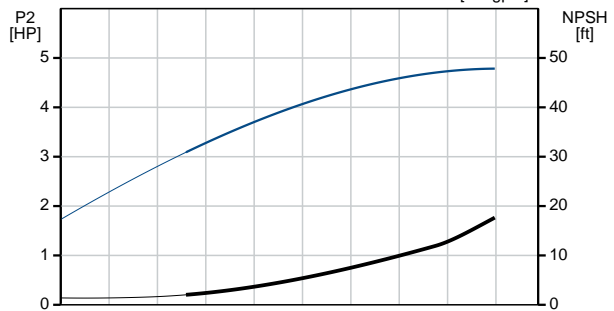
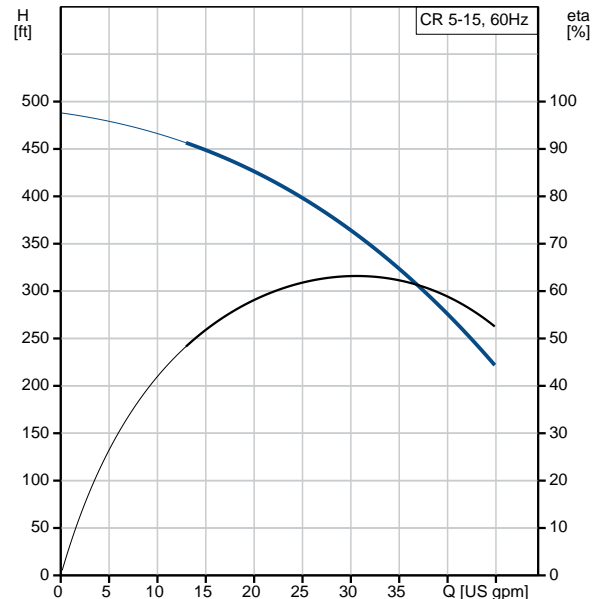
Company name:
Created by:
Phone:

Date: 6/3/2019

96084371 CR 5-15 A-FGJ-A-V-HQQV 60 Hz



| Description | Value |
|---------------------------------------|---|
| General information: | |
| Product name: | CR 5-15 A-FGJ-A-V-HQQV |
| Product No.: | 96084371 |
| EAN: | 5700395192094 |
| Technical: | |
| Rated pump speed: | 3468 rpm |
| Rated flow: | 30.4 US gpm |
| Rated head: | 353 ft |
| Head max: | 481 ft |
| Stages: | 15 |
| Impellers: | 15 |
| Number of reduced-diameter impellers: | 0 |
| Low NPSH: | N |
| Pump orientation: | Vertical |
| Shaft seal arrangement: | Single |
| Code for shaft seal: | HQQV |
| Approvals on nameplate: | CURUS |
| Curve tolerance: | ISO9906:2012 3B |
| Pump version: | A |
| Model: | A |
| Cooling: | TEFC |
| Materials: | |
| Base: | Cast iron EN 1561 EN-GJL-200 ASTM A48-25B |
| Impeller: | Stainless steel EN 1.4301 AISI 304 |
| Material code: | A |
| Code for rubber: | V |
| Bearing: | SIC |
| Installation: | |
| Maximum ambient temperature: | 104 °F |
| Maximum operating pressure: | 362.59 psi |
| Max pressure at stated temperature: | 363 psi / 194 °F 363 psi / -4 °F |
| Type of connection: | DIN / ANSI / JIS |
| Size of inlet connection: | DN 25/32 |
| Size of suction port: | 1 1/4 inch |
| Size of outlet connection: | DN 25/32 |
| Size of outlet port: | 1 1/4 inch |
| Pressure rating for pipe connection: | PN 25 |
| Flange rating inlet: | 250 lb |
| Flange size for motor: | 182TC |
| Connect code: | FGJ |
| Liquid: | |
| Pumped liquid: | Water |
| Liquid temperature range: | -4 .. 194 °F |
| Selected liquid temperature: | 68 °F |
| Density: | 62.29 lb/ft³ |
| Electrical data: | |
| Motor standard: | NEMA |
| Motor type: | Baldor |
| Rated power - P2: | 5 HP |
| Power (P2) required by pump: | 5 HP |
| Main frequency: | 60 Hz |
| Rated voltage: | 1 x 208-230 V |





Company name:

Created by:

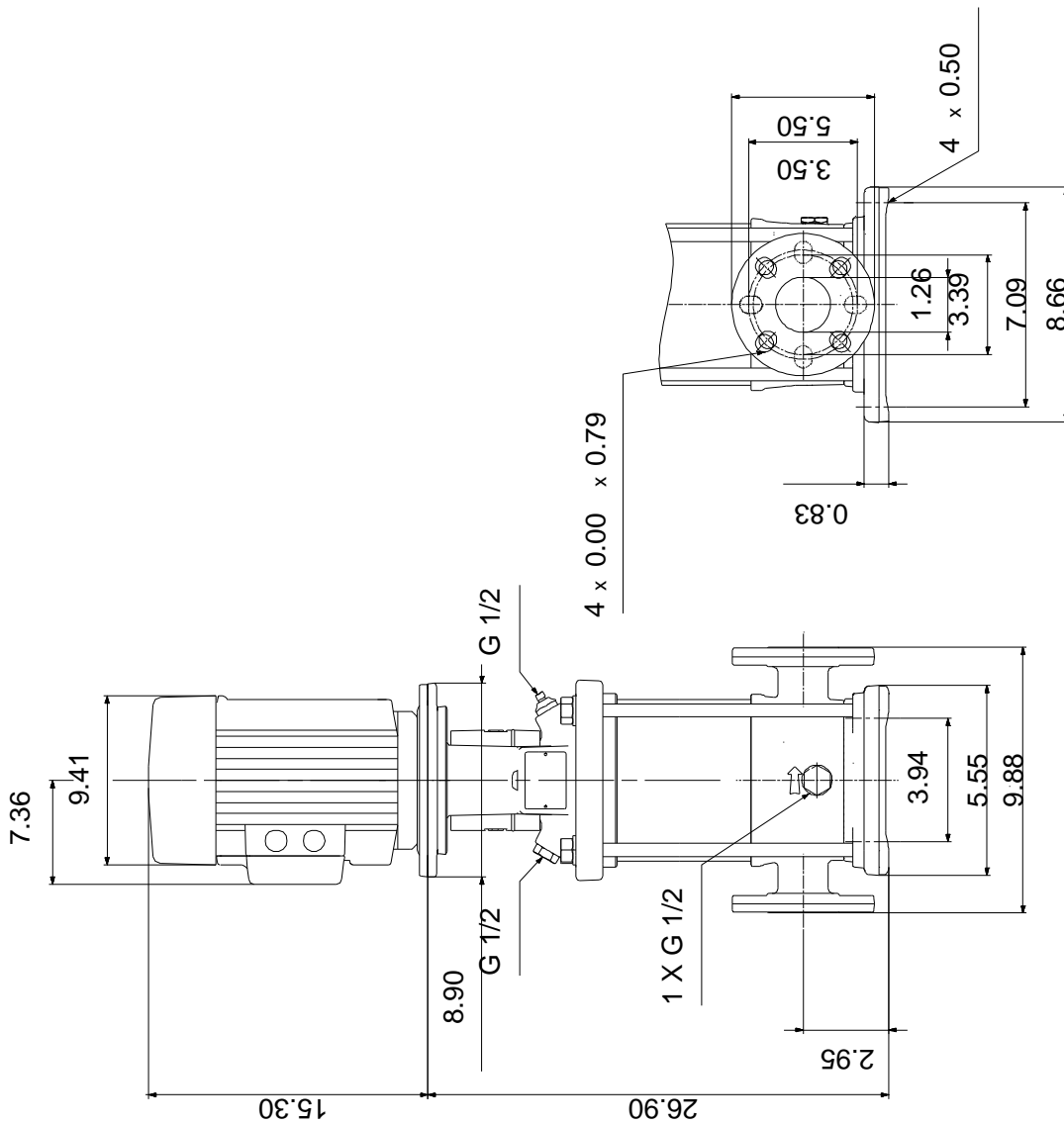
Phone:

Date:

6/3/2019

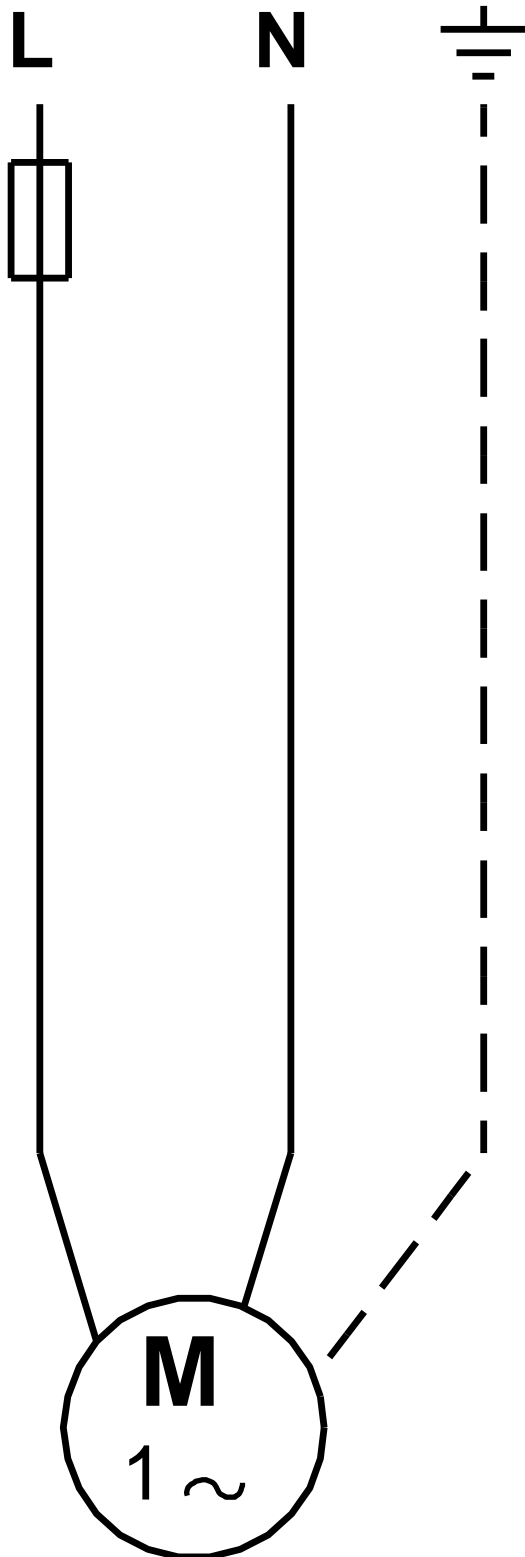
| Description | Value |
|-----------------------------|----------------------|
| Service factor: | 1.15 |
| Rated current: | 24.0-22.0 A |
| Load current: | 27.0-25.0 A |
| Rated speed: | 3450 rpm |
| Number of poles: | 2 |
| Enclosure class (IEC 34-5): | 54 Dust/Splashing |
| Insulation class (IEC 85): | F |
| Motor protection: | NONE |
| Motor Number: | 85700012 |
| Controls: | |
| Frequency converter: | NONE |
| Others: | |
| Net weight: | 163 lb |
| Gross weight: | 181 lb |
| Shipping volume: | 10.1 ft ³ |
| Country of origin: | US |
| Custom tariff no.: | 8413.70.2040 |

96084371 CR 5-15 A-FGJ-A-V-HQQV 60 Hz



Note! All units are in [in] unless otherwise stated.
 Disclaimer: This simplified dimensional drawing does not show all details.

96084371 CR 5-15 A-FGJ-A-V-HQQV 60 Hz



All units are [in] unless otherwise presented.