

PROJECT: _____	UNIT TAG: _____	QUANTITY: _____
REPRESENTATIVE: _____	TYPE OF SERVICE: _____	DATE: _____
ENGINEER: _____	SUBMITTED BY: _____	DATE: _____
CONTRACTOR: _____	APPROVED BY: _____	DATE: _____
	ORDER NO.: _____	DATE: _____

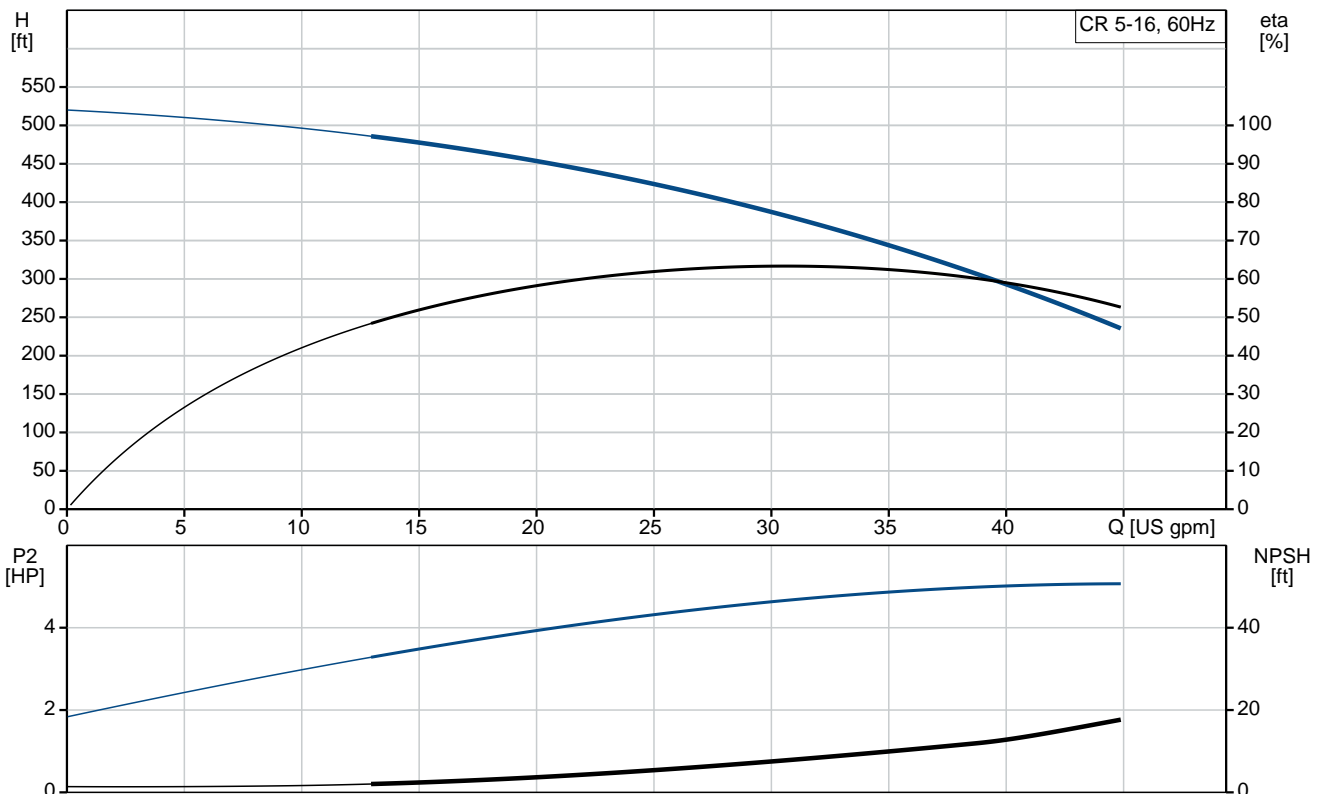


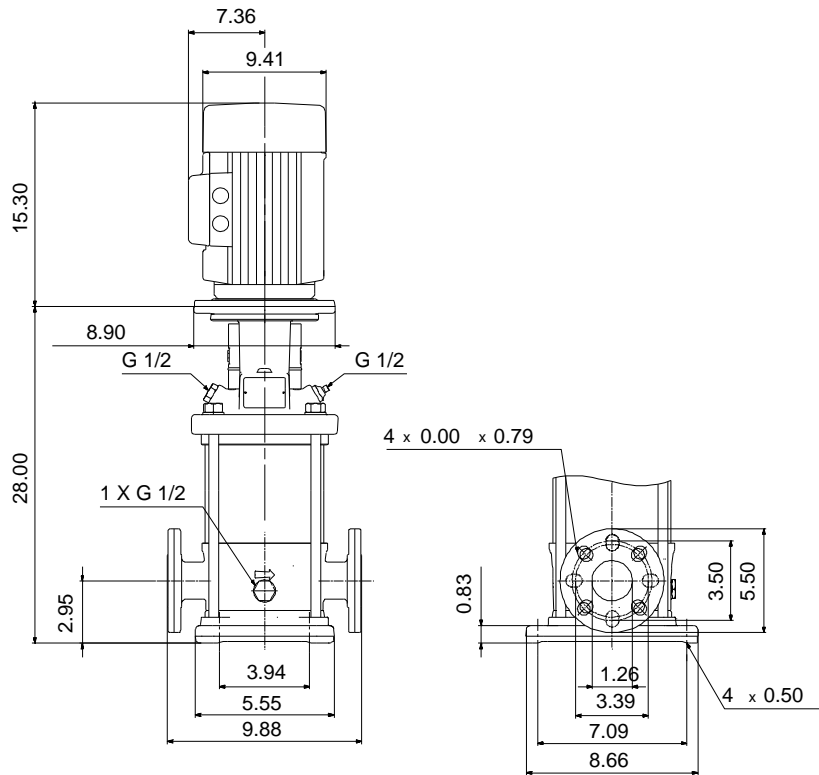
### CR 5-16 A-FGJ-A-V-HQQV

Vertical, multistage centrifugal pump with suction and discharge ports on the same level. The pump head and base are in cast iron. All other wetted parts are in stainless steel (EN 1.4301)(AISI 304)

Product photo could vary from the actual product


Conditions of Service	Pump Data	Motor Data
Flow: _____	Max pressure at stated temperature: 363 psi / 194 °F	Rated power - P2: 5 HP
Head: _____	Liquid temperature range: -4 .. 194 °F	Rated voltage: 208-230 V
Efficiency: _____	Maximum ambient temperature: 104 °F	Main frequency: 60 Hz
Liquid: Water	Approvals: CURUS	Enclosure class: 54 Dust/Splashing
Temperature: 68 °F	Shaft seal: HQQV	Insulation class: F
NPSH required: ft	Product number: 96084373	Motor protection: NONE
Viscosity: _____		Motor type: Baldor
Specific Gravity: 1.000		





**Materials:**

Base:	Cast iron EN 1561 EN-GJL-200 ASTM A48-25B
Impeller:	Stainless steel AISI 304 EN 1.4301
Material code:	A
Code for rubber:	V

Count	Description
1	<p data-bbox="225 342 533 365"><b>CR 5-16 A-FGJ-A-V-HQQV</b></p> <div data-bbox="375 376 459 622" style="text-align: center;">  </div> <p data-bbox="225 663 491 685">Product No.: <a href="#">96084373</a></p> <p data-bbox="225 692 748 777">Vertical, non-self-priming, multistage, in-line, centrifugal pump for installation in pipe systems and mounting on a foundation.</p> <p data-bbox="225 810 703 837">The pump has the following characteristics:</p> <ul data-bbox="264 842 850 958" style="list-style-type: none"> <li>- Impellers and intermediate chambers are made of</li> <li>- The shaft seal has assembly length according to EN 12756.</li> <li>- Power transmission is via cast iron split coupling.</li> </ul> <p data-bbox="225 1016 600 1043">The motor is a 1-phase AC motor.</p> <p data-bbox="225 1077 325 1104">Controls:</p> <p data-bbox="225 1108 660 1135">Frequency converter:                 NONE</p> <p data-bbox="225 1169 309 1196"><b>Liquid:</b></p> <p data-bbox="225 1200 660 1227">Pumped liquid:                         Water</p> <p data-bbox="225 1232 715 1258">Liquid temperature range:         -4 .. 194 °F</p> <p data-bbox="225 1263 651 1290">Selected liquid temperature:       68 °F</p> <p data-bbox="225 1294 708 1321">Density:                                 62.29 lb/ft³</p> <p data-bbox="225 1355 347 1382"><b>Technical:</b></p> <p data-bbox="225 1386 695 1413">Rated pump speed:                   3468 rpm</p> <p data-bbox="225 1417 735 1444">Rated flow:                            30.4 US gpm</p> <p data-bbox="225 1449 676 1476">Rated head:                            375.3 ft</p> <p data-bbox="225 1480 676 1507">Pump orientation:                    Vertical</p> <p data-bbox="225 1512 660 1538">Shaft seal arrangement:            Single</p> <p data-bbox="225 1543 660 1570">Code for shaft seal:                 HQQV</p> <p data-bbox="225 1574 676 1601">Approvals on nameplate:           CURUS</p> <p data-bbox="225 1606 788 1632">Curve tolerance:                     ISO9906:2012 3B</p> <p data-bbox="225 1666 341 1693"><b>Materials:</b></p> <p data-bbox="225 1697 831 1760">Base:                                    Cast iron EN 1561 EN-GJL-200 ASTM A48-25B</p> <p data-bbox="225 1771 751 1834">Impeller:                               Stainless steel EN 1.4301 AISI 304</p> <p data-bbox="225 1845 632 1872">Bearing:                                SIC</p> <p data-bbox="225 1906 363 1933"><b>Installation:</b></p> <p data-bbox="225 1937 660 1964">Maximum ambient temperature:   104 °F</p> <p data-bbox="225 1968 703 1995">Maximum operating pressure:     362.59 psi</p> <p data-bbox="225 2000 826 2063">Max pressure at stated temperature: 363 psi / 194 °F 363 psi / -4 °F</p> <p data-bbox="225 2074 767 2101">Type of connection:                 DIN / ANSI / JIS</p>



Company name:

Created by:

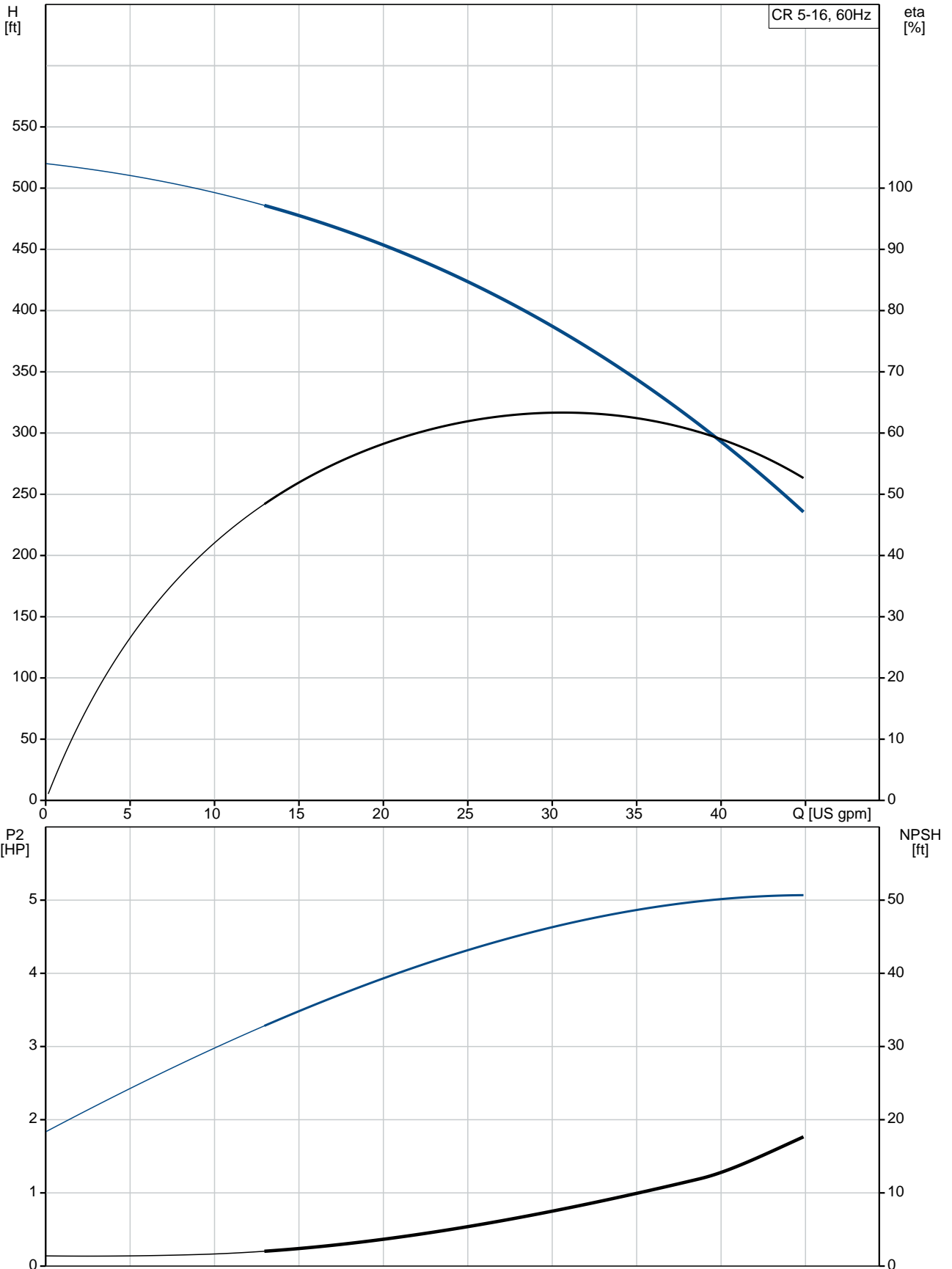
Phone:

Date:

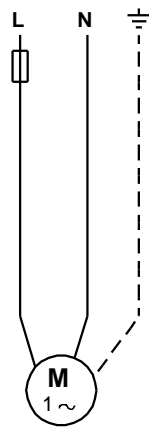
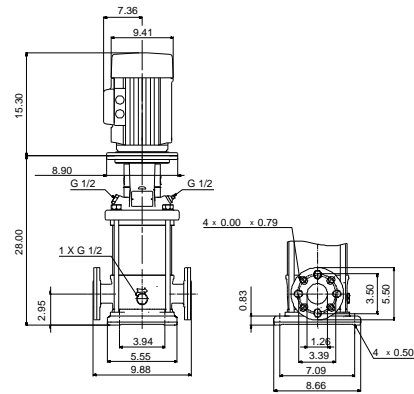
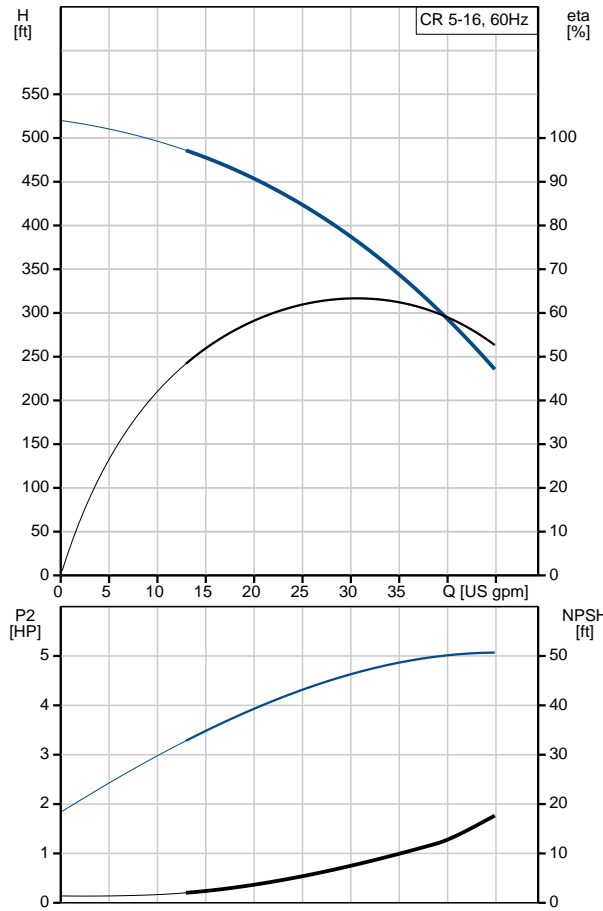
6/3/2019

Count	Description
	Size of inlet connection: DN 25/32
	Size of suction port: 1 1/4 inch
	Size of outlet connection: DN 25/32
	Size of outlet port: 1 1/4 inch
	Pressure rating for pipe connection: PN 25
	Flange rating inlet: 250 lb
	Flange size for motor: 182TC
	<b>Electrical data:</b>
	Motor standard: NEMA
	Motor type: Baldor
	Rated power - P2: 5 HP
	Power (P2) required by pump: 5 HP
	Main frequency: 60 Hz
	Rated voltage: 1 x 208-230 V
	Service factor: 1.15
	Rated current: 24.0-22.0 A
	Rated speed: 3450 rpm
	Number of poles: 2
	Enclosure class (IEC 34-5): 54 Dust/Splashing
	Insulation class (IEC 85): F
	Motor Number: 85700012
	<b>Others:</b>
	Net weight: 164 lb
	Gross weight: 182 lb
	Shipping volume: 10.1 ft <sup>3</sup>
	Country of origin: US
	Custom tariff no.: 8413.70.2040

## 96084373 CR 5-16 A-FGJ-A-V-HQQV 60 Hz



Description	Value
<b>General information:</b>	
Product name:	CR 5-16 A-FGJ-A-V-HQQV
Product No.:	96084373
EAN:	5700395192117
<b>Technical:</b>	
Rated pump speed:	3468 rpm
Rated flow:	30.4 US gpm
Rated head:	375.3 ft
Head max:	512.2 ft
Stages:	16
Impellers:	16
Number of reduced-diameter impellers:	0
Low NPSH:	N
Pump orientation:	Vertical
Shaft seal arrangement:	Single
Code for shaft seal:	HQQV
Approvals on nameplate:	CURUS
Curve tolerance:	ISO9906:2012 3B
Pump version:	A
Model:	A
Cooling:	TEFC
<b>Materials:</b>	
Base:	Cast iron EN 1561 EN-GJL-200 ASTM A48-25B
Impeller:	Stainless steel EN 1.4301 AISI 304
Material code:	A
Code for rubber:	V
Bearing:	SIC
<b>Installation:</b>	
Maximum ambient temperature:	104 °F
Maximum operating pressure:	362.59 psi
Max pressure at stated temperature:	363 psi / 194 °F 363 psi / -4 °F
Type of connection:	DIN / ANSI / JIS
Size of inlet connection:	DN 25/32
Size of suction port:	1 1/4 inch
Size of outlet connection:	DN 25/32
Size of outlet port:	1 1/4 inch
Pressure rating for pipe connection:	PN 25
Flange rating inlet:	250 lb
Flange size for motor:	182TC
Connect code:	FGJ
<b>Liquid:</b>	
Pumped liquid:	Water
Liquid temperature range:	-4 .. 194 °F
Selected liquid temperature:	68 °F
Density:	62.29 lb/ft³
<b>Electrical data:</b>	
Motor standard:	NEMA
Motor type:	Baldor
Rated power - P2:	5 HP
Power (P2) required by pump:	5 HP
Main frequency:	60 Hz
Rated voltage:	1 x 208-230 V





Company name:

Created by:

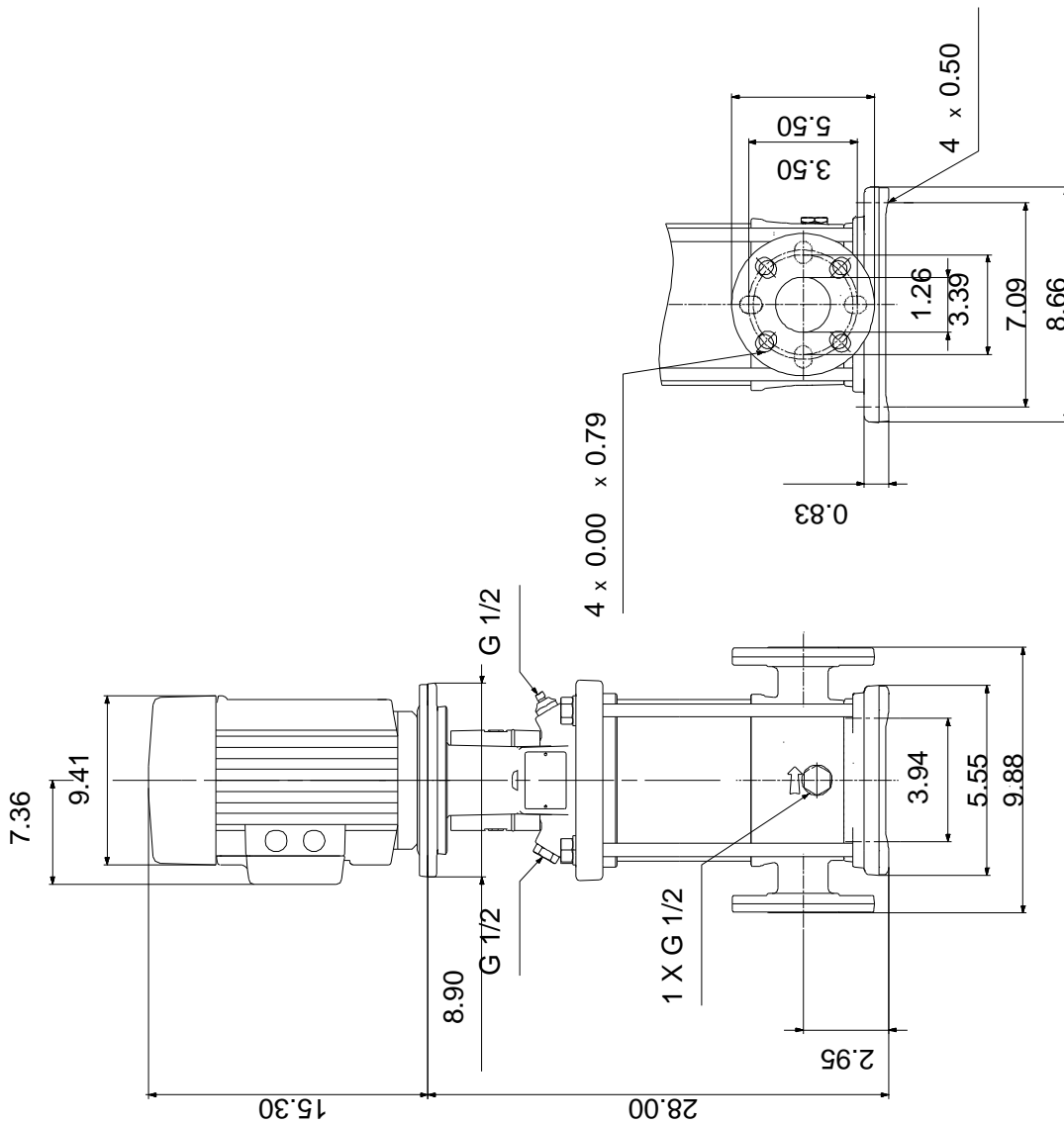
Phone:

Date:

6/3/2019

Description	Value
Service factor:	1.15
Rated current:	24.0-22.0 A
Load current:	27.0-25.0 A
Rated speed:	3450 rpm
Number of poles:	2
Enclosure class (IEC 34-5):	54 Dust/Splashing
Insulation class (IEC 85):	F
Motor protection:	NONE
Motor Number:	85700012
<b>Controls:</b>	
Frequency converter:	NONE
<b>Others:</b>	
Net weight:	164 lb
Gross weight:	182 lb
Shipping volume:	10.1 ft <sup>3</sup>
Country of origin:	US
Custom tariff no.:	8413.70.2040

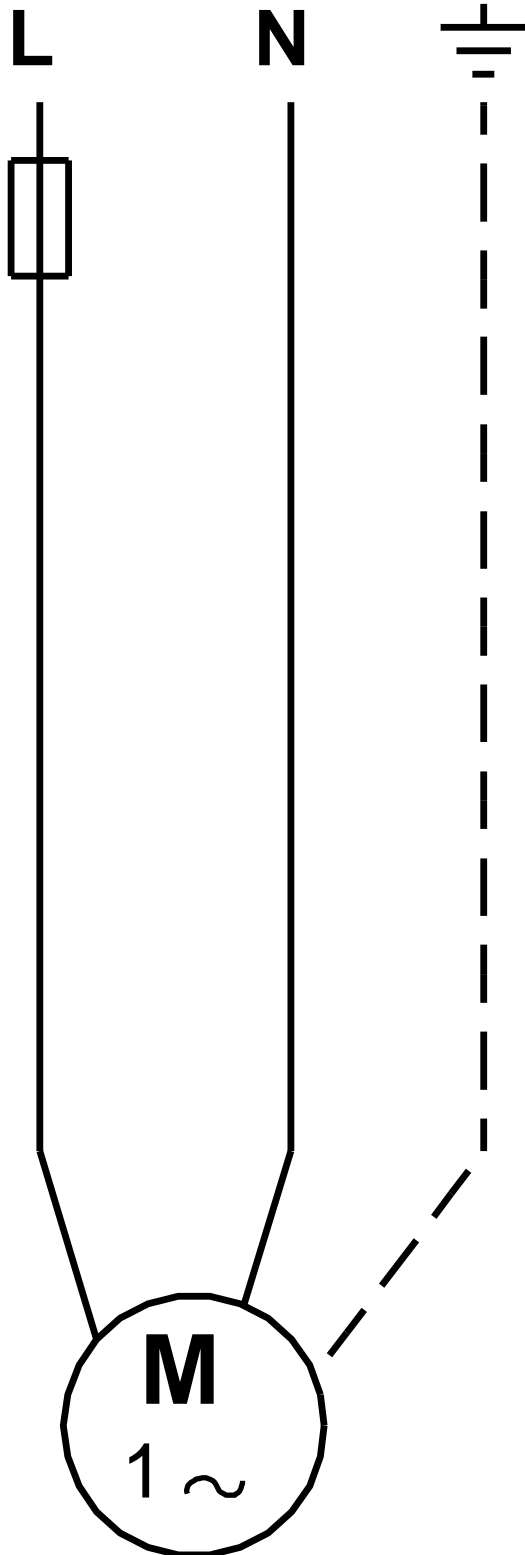
**96084373 CR 5-16 A-FGJ-A-V-HQQV 60 Hz**



Note! All units are in [in] unless otherwise stated.  
 Disclaimer: This simplified dimensional drawing does not show all details.



**96084373 CR 5-16 A-FGJ-A-V-HQQV 60 Hz**



All units are [in] unless otherwise presented.